

SERVOSTAR 400

Digital Servo Amplifier S400

Instructions Manual



Edition 11/2018

Translation of the original instructions.

Valid for Hardware Revision 03.20



For safe and proper use,
follow these instructions.
Keep them for future reference.

KOLLMORGEN[®]

Previous editions

Edition	Comments
10/2001	First edition
02/2002	new layout
07/2003	new layout, technical data adapted to new hardware, equipment matching removed
07/2005	SSI emulation updated (Multiturn), UL/cUL information updated, typographical changes, chapter 1 new sorted, several corrections
02/2006	Chapter feedback updated, order numbers structured, several small corrections
09/2006	Hardware Revision, disposal acc. to WEEE-2002/96/EG, new document structure, new cover design, Quickstart integrated, EtherCAT type new, 24V supply voltage hints
12/2006	PROFIBUS Topologie, part number scheme, branding, PSU 24V/20A new
01/2007	PROFIBUS Topologie, trouble-shooting reduced, "Components of a servo system" extended and moved
04/2007	Feedback expanded, BISS-Interface, Stop/Emergency-Stop expanded, shock-hazard protection new, DC-Bus link expanded, accessories removed
07/2007	Timing diagramm motor holding brake
06/2008	Hardware Revision 03.03, EC Declaration, Hipurface corrected, deinstallation, standards, syntax: "regen" => "brake", target group, use as directed
08/2008	SCCR->42kA
12/2009	Logo, repair, disposal, safety symbols acc. to ANSI Z535.6, GOST-R, HWR 3.10
07/2010	Emergency Stop examples moved to WIKI, climatic classes, notes holding brake
12/2010	New company name and address, name plate, CE certificate
12/2014	Certificates removed, emergency stop updated, KCM modules, HWR, export classification
02/2015	UL/cUL Markings in EN+FR
12/2015	KCM wiring corrected, Fax form removed, safe to touch voltage 60V->50V, LVD 2014-35-EG, EMCD 2014-30-EG
07/2016	Chapter Handling extended, warning notes updated
04/2018	Wiki links migrated to KDN
11/2018	Layout of the warning notes updated, user expertise updated, new readers note on cover page, UL Markings corrected to 400V

Hardware Revision (HR)

Hardware Rev.	usable Firmware Rev.	Export Classification	Remarks
02.03	>= 5.76	AL-3A225	Firmware >=6.68 required with BISS
03.03	>= 5.76	AL-3A225	Heat sink optimized
03.10	>= 7.76	AL-3A225	CAN Controller new, standard
	>= 6.86	AL-3A225	CAN Controller new, BiSS/EtherCAT support
03.20	>= 7.76 ND1	AL-3A225	New data structure, Standard
	>= 6.86 ND1	AL-3A225	New data structure, BiSS/EtherCAT Support
03.20	>= 7.76 ND0	-	New data structure, Standard
	>= 6.86 ND0	-	New data structure, BiSS/EtherCAT Support

WINDOWS is a registered trademark of Microsoft Corp.

HIPERFACE is a registered trademark of Max Stegmann GmbH

EnDat is a registered trademark of Dr.Johannes Heidenhain GmbH

EtherCAT is a registered trademark and patented technology, licensed by Beckhoff Automation GmbH

Technical changes to improve the performance of the equipment may be made without notice !

Printed in the Federal Republic of Germany

All rights reserved. No part of this work may be reproduced in any form (by photocopying, microfilm or any other method) or processed, copied or distributed by electronic means without the written permission of Kollmorgen Europe GmbH.

	Page
1 General	
1.1 About this manual	7
1.2 Notes for the printed edition (paper version)	7
1.3 Hints for the online edition (PDF format)	7
1.4 Symbols used	8
1.5 Standards used	9
1.6 Abbreviations used	10
2 Safety	
2.1 You should pay attention to this	11
2.2 Use as directed	13
2.3 Prohibited use	14
2.4 Warning notes placed on the product	14
3 Handling	
3.1 Transport	15
3.2 Packaging	15
3.3 Storage	15
3.4 Decommissioning	16
3.5 Maintenance and cleaning	16
3.6 Disassemble	16
3.7 Repair	17
3.8 Disposal	17
4 Approvals	
4.1 UL and cUL- Conformance	18
4.2 EC Conformance	19
4.3 European Directives and Standards for the machine builder	19
5 Package	
5.1 Package supplied	21
5.2 Nameplate	21
5.3 Part number scheme	22
6 Technical description	
6.1 Digital servo amplifiers in the series SERVOSTAR 400	23
6.2 Technical data	25
6.2.1 Rated data	25
6.2.2 Inputs / Outputs	26
6.2.3 Recommended tightening torques	26
6.2.4 Fusing	26
6.2.5 Ambient conditions, ventilation, mounting position	27
6.2.6 Conductor cross-sections	27
6.3 LED display	27
6.4 Control for motor holding brake	28
6.5 Grounding system	29
6.6 Electrical braking (brake circuit)	29
6.7 Switch-on/-off behavior	30
6.7.1 Behavior in standard operation	31
6.7.2 Behavior in the event of an error (with standard setting)	32
6.8 Stop-, Emergency Stop-, Emergency Off Function to IEC 60204	33
6.8.1 Stop	33
6.8.2 Emergency Stop	34
6.8.3 Emergency Off	34
6.9 Shock-hazard protection	35
6.9.1 Leakage current	35
6.9.2 Residual-current circuit breakers (FI)	35
6.9.3 Isolating transformers	35

7 Mechanical Installation

7.1 Important notes 37
 7.2 Guide to mechanical installation 37
 7.3 Mounting 38
 7.4 Dimensions 39
 7.5 Add-on fan 40

8 Electrical Installation

8.1 Important notes 41
 8.2 Guide to electrical installation 42
 8.3 Wiring 43
 8.3.1 Shield connection on the front panel 44
 8.3.2 Requirements to cables 45
 8.4 Components of a servo system 46
 8.5 Block diagram 47
 8.6 Connector assignments 48
 8.7 Connection diagram master module (overview) 49
 8.8 Connection diagram axis module (overview) 50
 8.9 Power supply, master only 51
 8.9.1 Mains supply connection (X0) 51
 8.9.2 24V auxiliary voltage (X0) 51
 8.10 Motor connection with brake (X6) 52
 8.11 DC Bus link (X0) 52
 8.11.1 External brake resistor (X0), master only 52
 8.11.2 Capacitor Modules (X0), master only 53
 8.12 Feedback 55
 8.12.1 Resolver (X5) 56
 8.12.2 Sine encoder 5V with BiSS (X2) 57
 8.12.3 Sine Encoder with EnDat 2.1 or HIPERFACE (X2) 58
 8.12.4 Sine Encoder without data channel (X2) 59
 8.12.5 Incremental or sine encoder with hall sensors (X2) 60
 8.12.6 ComCoder (X2) 61
 8.12.7 Incremental Encoder (X4) 62
 8.13 Electronic Gearing, Master-slave operation 63
 8.13.1 Connection to a SERVOSTAR 400 master, 5 V signal level (X4) 64
 8.13.2 Connection to incremental encoder master with 24 V signal level (X3) 64
 8.13.3 Connection to a sine-cosine encoder master (X2) 65
 8.13.4 Connection to a SSI encoder (X4) 66
 8.13.5 Connection to stepper motor controllers (pulse and direction) 66
 8.13.5.1 Step/Direction with 5 V signal level (X4) 67
 8.13.5.2 Step/Direction with 24 V signal level (X3) 67
 8.14 Encoder emulations 68
 8.14.1 Incremental encoder output - A quad B (X4) 68
 8.14.2 SSI output (X4) 69
 8.15 Digital and analog inputs and outputs 70
 8.15.1 Analog input (X3) 70
 8.15.2 Digital inputs (X3) 71
 8.15.3 Digital outputs (X3) 72
 8.15.4 Digital I/O on the Master (X1) 73
 8.16 RS232 interface, PC connection (X8), master only 74
 8.17 Fieldbus connection 75
 8.17.1 CANopen interface (X7) 75
 8.17.2 PROFIBUS interface (X7), option 76
 8.17.3 SERCOS interface (X13/X14), option 77
 8.17.3.1 Light emitting diodes (LEDs) 77
 8.17.3.2 Connection diagram 77
 8.17.4 EtherCAT interface (X7), option 78
 8.17.4.1 EtherCAT connection, connector X7A/B (RJ-45) 78
 8.17.4.2 Connection diagram 78

	Page
9 Setup	
9.1 Important notes	79
9.2 Setup software	80
9.2.1 General	80
9.2.1.1 Use as directed	80
9.2.1.2 Software description	80
9.2.1.3 Hardware requirements	81
9.2.1.4 Operating systems	81
9.2.2 Installation under WINDOWS	81
9.3 Quickstart, drive test	82
9.3.1 Preparation	82
9.3.2 Connect	84
9.3.3 Important Screen Elements	85
9.3.4 Basic Setup	86
9.3.5 Motor (synchronous)	87
9.3.6 Feedback	88
9.3.7 Save Parameters and Restart	89
9.3.8 Jogging the Motor (Speed Control)	90
9.3.9 Status	91
9.3.10 Monitor	91
9.3.11 Additional Setup Parameters	91
9.4 Multi-axis systems	92
9.4.1 Station Address	92
9.4.2 Example of connections for multi-axis system	93
9.5 Key pad controls and status displays	94
9.5.1 Operating	94
9.5.2 Status display on the axis module	94
9.5.3 Status display on the master	95
9.6 Error messages	96
9.7 Warning messages	97
9.8 Trouble Shooting	98
10 Appendix	
10.1 Glossary	99
10.2 Order numbers	101
10.2.1 Servo amplifiers	101
10.2.2 Mating connectors	101
10.3 Index	102

This page has been deliberately left blank.

1 General

1.1 About this manual

This manual describes the digital servo amplifiers of the SERVOSTAR 400 series.

A more detailed description of the field bus interfaces and the digital connection to automation systems can be found on the accompanying CD-ROM in PDF format (system requirements: WINDOWS, Internet browser, Acrobat Reader) in several language versions. Technical data and dimensional drawings of accessories such as cables, brake resistors, mains supplies, etc., can be found in the accessories manual.

You can print out this documentation on any standard printer. A printed copy of the documentation is available from us at extra cost.

More background information can be found in the "Kollmorgen Developer Network", please check kdn.kollmorgen.com.

1.2 Notes for the printed edition (paper version)

A printed version of the manual is enclosed with each product. For environmental reasons, the document was reduced in size and printed on DIN A5.

NOTE

Should you experience difficulties reading the font size of the scaled-down printed version, you can print and use the PDF version in DIN A4 format 1:1.

You can find the PDF version on the CD-ROM accompanying the product and on the Kollmorgen website.

1.3 Hints for the online edition (PDF format)

Bookmark:

Table of contents and index are active bookmarks.

Table of contents and index in the text:











The lines are active cross references. Click on the desired line and the appropriate page is indicated.

Page/chapter numbers in the text:

Page/chapter numbers with cross references are active. Click at the page/chapter number to reach the indicated target.

1.4

Symbols used

Symbol	Indication
	Indicates a hazardous situation which, if not avoided, will result in death or serious injury.
	Indicates a hazardous situation which, if not avoided, could result in death or serious injury.
	Indicates a hazardous situation which, if not avoided, could result in minor or moderate injury.
	This is not a safety symbol. Indicates situations which, if not avoided, could result in property damage.
	This is not a safety symbol. This symbol indicates important notes.
	Warning of a danger (general). The type of danger is specified by the warning text next to it.
	Warning of danger from electricity and its effects.
	Warning of danger from hot surfaces.
	Warning of danger from suspended loads.
	Warning of danger from automatic start.

1.5 Standards used

Standard	Content
ISO 4762	Hexagon socket head cap screws
ISO 13849	Safety of machinery: Safety-related parts of control systems (former EN 954)
ISO 12100	Safety of machinery: Basic concepts, general principles for design
IEC 60085	Electrical insulation - Thermal evaluation and designation Maintenance
IEC 60204	Safety of Machinery: Electrical equipment of machinery
IEC 60364	Low-voltage electrical installations
IEC 60439	Low-Voltage Switchgear and Controlgear Assemblies
IEC 60529	Protection categories by housing (IP Code)
IEC 60664	Insulation coordination for equipment within low-voltage systems
IEC 60721	Classification of environmental conditions
IEC 61000	Electromagnetic compatibility (EMC)
IEC 61131	Programmable controllers
IEC 61491	Electrical equipment of industrial machines – Serial data link for real-time communications between controls and drives.
IEC 61508	Functional safety of electrical/electronic/programmable electronic safety-related systems
IEC 61800	Adjustable speed electrical power drive systems
IEC 62061	Functional safety of electrical/electronic/programmable electronic safety-related systems
ISO 82079	Preparation of instructions for use - Structuring, content and presentation
UL 840	UL Standard for Safety for Insulation Coordination Including Clearances and Creepage Distances for Electrical Equipment
UL 508C	UL Standard for Safety Power Conversion Equipment

IEC International Electrotechnical Commission ISO International Organization for Standardization
 UL Underwriters Laboratories

1.6 Abbreviations used

Abbrev.	Meaning
AGND	Analog ground
BTB/RTO	Ready to operate
CAN	Fieldbus (CANopen)
CE	Communauté Européenne (=EC)
CLK	Clock signal
COM	Serial interface for a PC-AT
DGND	Digital ground
DIN	Deutsches Institut für Normung
Disk	Magnetic storage (diskette, hard disk)
EEPROM	Electrically erasable memory
EMC	Electromagnetic compatibility
EMI	Elektromagnetic interference
ESD	Electrostatic discharge
F-SMA	Fiber Optic Cable connector according to IEC 60874-2
IEC	International Electrotechnical Commission
IGBT	Insulated gate bipolar transistor
ISO	International Standardization Organization
LED	Light-emitting diode
MB	Megabyte
NI	Zero pulse
NSTOP	Limit-switch input, rot. dir. CCW (left)
PC	Personal Computer
PELV	Protected low voltage
PLC	Programmable logic controller
PSTOP	Limit-switch input, rot. dir. CW (right)
PSU	Power supply unit
PWM	Pulse-width modulation
RAM	Volatile memory
RBext	External brake resistor
RBint	Internal brake resistor
RES	Resolver
ROD	A quad B Encoder, incremental encoder
SRAM	Static RAM
SSI	Synchronous serial interface
UL	Underwriter Laboratory
V AC	AC voltage
V DC	DC voltage
VDE	Verein deutscher Elektrotechniker

2 Safety

NOTICE

The S400 is not intended for reacting functional safety features. The integration into a safety function according to EN 13849 or EN 62061 is not allowed. The STO function can be carried out only by safe disconnection of the power supply of the machine.

2.1 You should pay attention to this

Read the documentation!

Read the available documentation before installation and commissioning. Improper handling of the servo amplifiers can cause harm to people or damage to property. The operator must therefore ensure that all persons entrusted to work on the SERVOSTAR 400 have read and understood the manual and that the safety notices in this manual are observed.

Perform a risk assessment!

The manufacturer of the machine must generate a risk assessment for the machine, and take appropriate measures to ensure that unforeseen movements cannot cause injury or damage to any person or property. Additional requirements on specialist staff may also result from the risk assessment.

Specialist staff required!

Only properly qualified personnel are permitted to perform such tasks as transport, installation and setup. Qualified specialist staff are persons with expertise in transport, installation, assembly, commissioning and operation of electrotechnical equipment.

- Transport, storage, unpacking: only by personnel with knowledge of handling electrostatically sensitive components.
- Mechanical installation: only by qualified personnel with mechanical expertise.
- Electrical installation: only by qualified personnel with electrotechnical expertise.
- Basic tests / setup: only by qualified personnel with expertise in electrical engineering and drive technology.

The qualified personnel must know and observe ISO 12100 / IEC 60364 / IEC 60664 and national accident prevention regulations.

Check the Hardware Revision!

Check the Hardware Revision Number of the product (see product label). This revision number must match the Hardware Revision Number on the cover page of the manual. If the numbers do not match up, visit the European File Archive (<http://www.wiki-kollmorgen.eu>). The 'Download' section contains the various manual versions based on the hardware version number.

Pay attention to the technical data!

Adhere to the technical data and the specifications on connection conditions (rating plate and documentation). If permissible voltage values or current values are exceeded, the servo amplifiers can be damaged. Unsuitable motor or wrong wiring will damage the system components. Check the combination of drive and motor. Compare the rated voltage and current of the units.

Observe electrostatically sensitive components!

The servo amplifiers contain electrostatically sensitive components which may be damaged by incorrect handling. Discharge your body before touching the servo amplifier. Avoid contact with highly insulating materials (artificial fabrics, plastic film etc.). Place the servo amplifier on a conductive surface.

Automatic restart



The drive might restart automatically after power on, voltage dip or interruption of the supply voltage, depending on the parameter setting. Risk of death or serious injury for humans working in the machine.

If the parameter [AENA](#) is set to 1, then place a warning sign to the machine (Warning: Automatic Restart at Power On) and ensure, that power on is not possible, while humans are in a dangerous zone of the machine. In case of using an undervoltage protection device, you must observe EN 60204-1:2006 chapter 7.5.

Hot surface!



The surfaces of the servo amplifiers can be hot in operation. Risk of minor burns! The surface temperature can exceed 80°C. Measure the temperature, and wait until the motor has cooled down below 40°C before touching it.

Earthing!



It is vital that you ensure that the servo amplifiers are safely earthed to the PE (protective earth) busbar in the switch cabinet. Risk of electric shock. Without low-resistance earthing no personal protection can be guaranteed and there is a risk of death from electric shock.

Leakage Current!

Since the leakage current to PE is more than 3.5 mA, in compliance with IEC61800-5-1 the PE connection must either be doubled or a connecting cable with a cross-section >10 mm² must be used. Deviating measures according to regional standards might be possible.

High voltages!



The equipment produces high electric voltages up to 800V. During operation, servo amplifiers may have uncovered live sections, according to their level of enclosure protection. Capacitors can have dangerous voltages present up to 5 minutes after switching off the supply power. There is a risk of death or severe injury from touching exposed contacts. Do not open or touch the equipment during operation. Keep all covers and cabinet doors closed during operation. Touching the equipment is allowed during installation and commissioning for properly qualified persons only.

There is a danger of electrical arcing when disconnecting connectors, because capacitors can still have dangerous voltages present after switching off the supply power. Risk of burns and blinding. Wait at least 5 minutes after disconnecting the servo amplifiers from the main supply power before touching potentially live sections of the equipment (such as contacts) or removing any connections. Always measure the voltage in the DC bus link and wait until the voltage is below 50V before handling components.

Reinforced Insulation!

Thermal sensors, motor holding brakes and feedback systems built into the connected motor must have reinforced insulation (according to IEC61800-5-1) against system components with power voltage, according to the required application test voltage. All Kollmorgen components meet these requirements.

Never modify the servo amplifiers!

It is permissible to use the setup software to alter the settings of the servo amplifier. Any other alterations will invalidate the warranty. Opening the housing causes loss of warranty and all certificates become invalid.

Warning signs are added to the device housing. If these signs are damaged, they must be replaced immediately.

2.2**Use as directed**

- The servo amplifiers are components which are built into electrical equipment or machines, and can only be commissioned as integral components of such equipment.
- The manufacturer of the machine must produce a risk assessment for the machine and take appropriate measures to ensure that unforeseen movements do not result in personal injury or material damage.
- The servo amplifier (overvoltage category III acc. to EN 61800-5-1) should only be used with power supplies with a maximum symmetrical rated current of 42kA and a voltage of 115/230V AC (SERVOSTAR 40xM) or 400V AC (SERVOSTAR 44xM).

Mains voltage	Servo amplifier
1 x 115V AC	only SERVOSTAR 40xM, unearthed operation is permissible
3 x 115V AC	only SERVOSTAR 40xM, unearthed operation is permissible
1 x 230V AC	only SERVOSTAR 40xM, unearthed operation is permissible
3 x 230V AC	all types, unearthed operation is permissible
3 x 400V AC	only SERVOSTAR 44xM, TN-system or TT-system with earthed neutral point

- If the servo amplifiers are used in residential areas, or in business or commercial premises, then additional filter measures must be implemented by the user.
- The SERVOSTAR 400 family of servo amplifiers is **only** intended to drive specific brushless synchronous servomotors with closed-loop control of torque, speed and/or position. The rated voltage of the motors must be at least as high as the DC Bus link voltage of the servo amplifier.
- The servo amplifiers may **only** be operated in a closed control cabinet, taking into account the ambient conditions defined on page 27. Ventilation or cooling measures may be required to keep the temperature below 45°C.
- Use only copper-cored cables for wiring. The conductor cross-sections can be taken from the European standard IEC 60204 (or Table 310-16 of NEC for 60°C or 75°C in the column for AWG cross-sections).
- Not more than 7 axis modules can be connected to a master module.

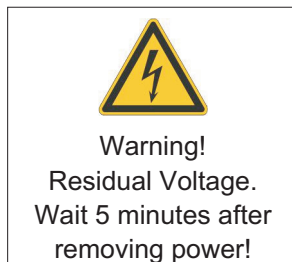
2.3

Prohibited use

- Other use than described in chapter 2.2 is not intended and can lead to damage with persons, equipment or things.
- The use of the servo amplifier in the following environments is prohibited:
 - potentially explosive areas
 - environments with corrosive and/or electrically conductive acids, alkaline solutions, oils, vapours, dusts
 - directly on non-grounded supply networks or on asymmetrically grounded supplies with a voltage >230V.
 - on ships or off-shore applications
- Commissioning the servo amplifier is prohibited if the machine in which it was installed,
 - does not meet the requirements of the EC Machinery Directive
 - does not comply with the EMC Directive or with the Low Voltage Directive
 - does not comply with any national directives
- The control of holding brakes by the SERVOSTAR 400 alone may not be used in applications, where personnel security is to be ensured with the brake.

2.4

Warning notes placed on the product

**NOTICE**

If these signs are damaged, they must be replaced immediately.

3 Handling

3.1 Transport

- Transport only by qualified personnel in the manufacturer's original packaging
- Avoid shocks
- Transport temperature -25 to +70°C, max. rate of change 20°C/hour, class 2K3 acc. to EN61800-2, EN 60721-3-1
- Transport humidity max. 95% relative humidity, no condensation, class 2K3 acc. to EN61800-2, EN 60721-3-1
- If the packaging is damaged, check the unit for visible damage. In such a case, inform the shipper and the manufacturer.

NOTICE

The servo amplifiers contain electrostatically sensitive components which can be damaged by incorrect handling. Discharge yourself before touching the servo amplifier. Avoid contact with highly insulating materials (artificial fabrics, plastic films etc.). Place the servo amplifier on a conductive surface.

3.2 Packaging

- Recyclable cardboard with inserts
- Dimensions SERVOSTAR 4xxA (HxWxD) 100x300x270 mm
SERVOSTAR 4xxM (HxWxD) 150x300x270 mm
- Labelling instrument label on outside of box

3.3 Storage

- Storage only in the manufacturer's original recyclable packaging
- Max. stacking height: 8 cartons
- Storage temp. -25 to +55°C, max. rate of change 20°C/hr, class 1K4 acc. to EN61800-2, EN 60721-3-1
- Humidity relative humidity max. 5...95%, no condensation, class 1K3 acc. to EN61800-2, EN 60721-3-1
- Storage duration
< 1 year without restriction
> 1 year: capacitors must be **re-formed** before the servo amplifier is commissioned. To do this, remove all electrical connections and supply the servo amplifier for about 30 min. from 230V AC, single-phase, on terminals L2 / L3.

3.4 Decommissioning

NOTICE

Only professional staff who are qualified in electrical engineering are allowed to decommission parts of the drive system.

DANGER: Lethal voltages! There is a danger of serious personal injury or death by electrical shock or electrical arcing.

- Switch off the main switch of the switchgear cabinet.
- Secure the system against restarting.
- Block the main switch.
- Wait at least 5 minutes after disconnecting.

3.5 Maintenance and cleaning

The device does not require maintenance. Opening the device voids the warranty. The inside of the unit can only be cleaned by the manufacturer

NOTICE

Do not immerse or spray the device. Avoid that liquid enters the device.

To clean the device exterior:

1. Decommission the device (see chapter 3.4).
2. Casing: Clean with isopropanol or similar cleaning solution.

CAUTION: Highly Flammable! Risk of injury by explosion and fire.

- Observe the safety notes given on the cleaning liquid package.
- Wait at least 30 minutes after cleaning before putting the device back into operation.

3. Protective grill on fan: Clean with a dry brush.

3.6 Disassemble

NOTICE

Only professional staff who are qualified in electrical engineering are allowed to disassemble parts of the drive system.

1. Decommission the device (see chapter 3.4).
2. Check temperature.

CAUTION: High Temperature! Risk of minor burns.

During operation, the heat sink of the drive may reach temperatures above 80 °C (176 °F). Before touching the device, check the temperature and wait until it has cooled below 40 °C (104 °F).

3. Remove the connectors. Disconnect the potential earth connection last.
4. Demount: loosen the fastening screws. Remove the device.

3.7 Repair

NOTICE

Only professional staff who are qualified in electrical engineering are allowed to exchange parts of the drive system.

CAUTION: Automatic Start! During replacement work a combination of hazards and multiple episodes may occur.

- Work on the electrical installation may only be performed by trained and qualified personnel, in compliance with the regulations for safety at work, and only with use of prescribed personal safety equipment.

Exchange of servo amplifier

Only the manufacturer can repair the device. Opening the device voids the warranty.

1. Decommission the device (see chapter 3.4).
2. Demount the device (see chapter 3.6).
3. Contact Kollmorgen and clarify the logistics. Send the device to the address given by Kollmorgen.
4. Install a new device as described in this manual.
5. Setup the servo amplifier as described in this manual.

Exchange of other drive system parts

If parts of the drive system (for example cables) must be replaced, proceed as follows:

1. Decommission the device (see chapter 3.4).
2. Exchange the parts.
3. Check all connections for correct fastening.
4. Setup the servo amplifier as described in this manual.

3.8 Disposal

NOTICE

To dispose the unit properly, contact a certified electronic scrap disposal merchant.

In accordance with the WEEE-2012/19/EC-Guidelines and similar, the manufacturer accepts returns of old devices and accessories for professional disposal. Transport costs are the responsibility of the sender.

Decommission the device as described in chapter 3.4 and demount the device as described in chapter 3.6.

Contact Kollmorgen and clarify the logistics. Send the device to the address given by Kollmorgen.

4 Approvals

Certificates can be found in the Download section of the "[File Archive](#)".

4.1 UL and cUL- Conformance

This servo amplifier is listed under UL file number **E217428**.

UL (cUL)-certified servo amplifiers (Underwriters Laboratories Inc.) fulfil the relevant U.S. and Canadian standard (in this case UL 840 and UL 508C).

This standard describes the fulfilment by design of minimum requirements for electrically operated power conversion equipment, such as frequency converters and servo amplifiers, which is intended to eliminate the risk of fire, electric shock, or injury to persons, being caused by such equipment.

UL(cUL) regulations also specify the minimum technical requirements of electrical devices, in order to take the necessary measures against the risk of fire, which can be triggered by electrically operated devices. The technical conformance with the U.S. and Canadian standard is determined by an independent UL (cUL) inspector through the type testing and regular checkups.

Apart from the notes on installation and safety in the documentation, the customer does not have to observe any other points in direct connection with the UL (cUL)-certification of the equipment.

UL 508C: UL 508C describes the fulfilment by design of minimum requirements for electrically operated power conversion equipment, such as frequency converters and servo amplifiers, which is intended to eliminate the risk of fire being caused by such equipment.

UL 840: UL 840 describes the fulfilment by design of air and insulation creepage spacings for electrical equipment and printed circuit boards.

Markings	Marquages
<ul style="list-style-type: none"> ● Use 60°C or 75°C copper wire only. ● Use Class 1 wire only. ● Tightening torque for field wiring terminals. X0 1,3 Nm (11.51 lbf in), X6 0,3 Nm (2.66 lbf in). ● Use in a pollution degree 2 environment. ● These devices provide solid state motor overload protection at 130% of full load current. ● Integral solid state short circuit protection does not provide branch circuit protection. Branch circuit protection must be provided in accordance with the National Electrical Code and any additional local codes. ● These devices are not provided with motor over-temperature sensing. ● Suitable for use on a circuit capable of delivering not more than 42kA rms symmetrical amperes for a max. voltage of 400 Vac. 	<ul style="list-style-type: none"> ● Utilisez un fil en cuivre 60°C ou 75 °C min.. ● Utilisez seulement un fil de classe 1. ● Couples de serrage recommandée X0 1,3 Nm (11.51 lbf in), X6 0,3 Nm (2.66 lbf in). ● Utilisation dans un environnement de pollution de niveau 2. ● Ces variateurs offrent une protection contre les surcharges de moteur à semi-conducteur à 130 % du courant FLA nominal. ● Une protection de court-circuit à semi-conducteur intégrale ne fournit pas de protection de la dérivation. Il convient de garantir une protection de la dérivation conforme au NEC (National Electrical Code) et aux réglementations locales en vigueur, ou aux directives équivalentes applicables. ● Ces variateurs n'offrent pas de capteurs de température excessive. ● Ce produit est conçu pour une utilisation sur un circuit capable de fournir 42 000 ampères symétriques (rms) maximum pour 400V.

4.2 EC Conformance

The servo amplifiers have been tested by an authorized testing laboratory in a defined configuration, using the system components that are described in this documentation. Any divergence from the configuration and installation described in this documentation means that you will be responsible for carrying out new measurements to ensure conformance with regulatory requirements.

Kollmorgen declares the conformity of the products SERVOSTAR 400 (S400) with the following directives

- EC EMC Directive (2014/30/EC)
- EC Low Voltage Directive (2014/35/EC)

In the reference to noise immunity the servoamplifier fulfills the requirement to the category second environment (industrial environment). For noise emission the amplifier meets the requirement to a product of the category C2 (motor cable $\leq 25\text{m}$).

NOTICE

This product can cause high-frequency interferences in non industrial environments which can require measures for interference suppression.

4.3 European Directives and Standards for the machine builder

Servo amplifiers are components that are intended to be incorporated into electrical plant and machines for industrial use. When the servo amplifiers are built into machines or plant, the amplifier must not be used until it has been established that the machine or equipment fulfills the requirements of the

- EC Machinery Directive (2006/42/EC)
- EC Low Voltage Directive (2014/35/EC)
- EC EMC Directive (2014/30/EC)

Standards to be applied for conformance with the EC Machinery Directive (2006/42/EC)

IEC 60204-1 (Safety and Electrical Equipment in Machines)

IEC 12100 (Safety of Machines)

NOTICE

The manufacturer of the machine must produce a risk assessment for the machine and take appropriate measures to ensure that unforeseen movements do not result in personal injury or material damage.

The machine / plant manufacturer must examine whether with its machine / plant still further or other standards or EEC guidelines are to be used.

Standards to be applied for conformance with the Low Voltage Directive (2014/35/EC):

IEC 60204-1 (Safety and Electrical Equipment in Machines)

IEC 60439-1 (Low-voltage switchgear and controlgear assemblies)

Standards to be applied for conformance with the EMC Directive (2014/30/EC):

IEC 61000-6-1 / 2 (Interference Immunity in Residential & Industrial Areas)

IEC 61000-6-3 / 4 (Interference Generation in Residential & Industrial Areas)

The manufacturer of the machine or plant is responsible for ensuring that they meet the limits required by the EMC regulations. Advice on the correct installation for EMC – such as shielding, grounding, arrangement of connectors and cable routing – can be found in this documentation.

We only guarantee the conformance of the servo system with the standards cited in this chapter if the components (motor, cables, chokes etc.) are those supplied by us.

This page has been deliberately left blank.

5 Package

5.1 Package supplied

If you order a SERVOSTAR 400 series amplifier from us, you will receive:

- SERVOSTAR 4xxM (master)
- Mating connectors for X0, X1, X3, X6
- Protective cover for the axis-side (required only once per system)
- Assembly and Installation Instructions
- Setup software DRIVE.EXE and online documentation on CD-ROM
- or
- SERVOSTAR 4xxA (axis module)
- Mating connector for X3, X6
- Short-form instructions

NOTE

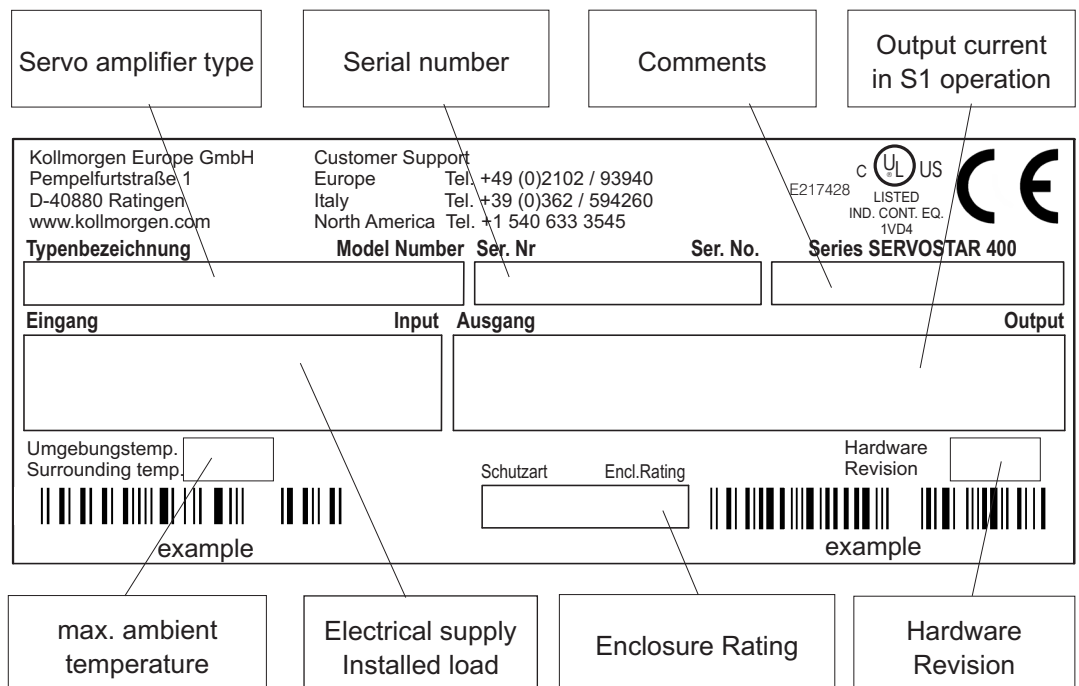
The mating SubD connectors are not part of the package supplied!

Accessories: (must be ordered separately if required; description see accessories manual)

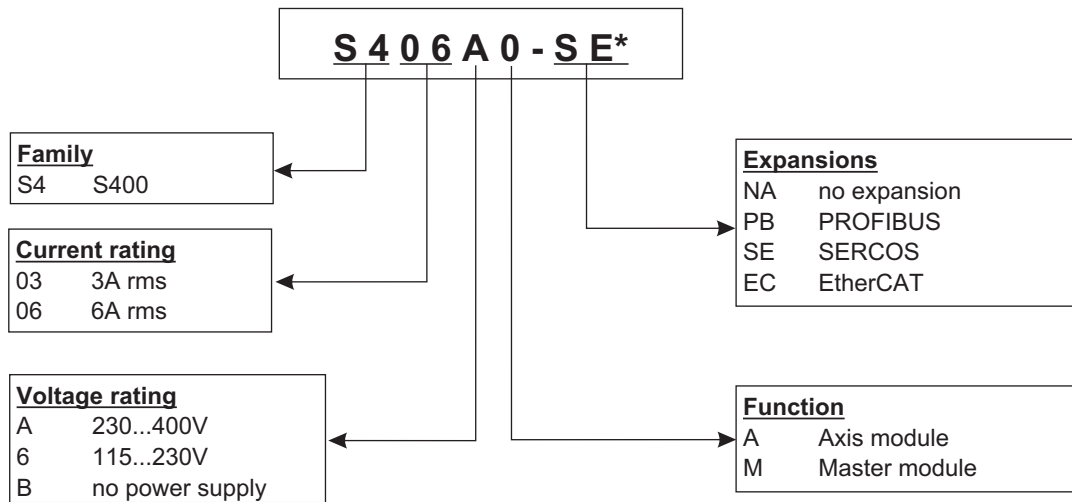
- Electrical add-on fan (for max. 2 axes, required for SERVOSTAR 4x6)
- Synchronous servomotor (linear or rotary)
- Motor lead (pre-assembled), or motor cable as cut-off length + loose connectors (motor- and amplifier-side)
- Feedback cable (pre-assembled) or both feedback connectors, loose with feedback cable as cut-off length
- External brake resistor BAR(U)
- Communication cable to PC (⇒ p.74) for parameterizing the master and any attached axis modules
- Power cable, control cables, fieldbus cables (as lengths)

5.2 Nameplate

The nameplate depicted below is attached to the side of the servo amplifier. Picture similar to the original nameplate.



5.3 Part number scheme



* additional coding defines customer specific specials.

Comparison (without expansion) device name -> part number

Device Name	Part Number
SERVOSTAR 403M	S4036M-NA
SERVOSTAR 406M	S4066M-NA
SERVOSTAR 443M	S403AM-NA
SERVOSTAR 446M	S406AM-NA
SERVOSTAR 403A	S403BA-NA
SERVOSTAR 406A	S406BA-NA

6 Technical description

6.1 Digital servo amplifiers in the series SERVOSTAR 400

Minimum complexity

- Up to 8 axes in a single system
- Only one power supply feed and one auxiliary voltage supply per system
- Shield connection directly on the servo amplifier
- All axes in a system can be parameterized through a single interface
- Strongly reduced wiring expenditure by modular structure
- Simple mechanical structure on DIN rails
- Synchronous servomotors, linear motors and asynchronous motors can be used

Standard version

- 2 supply voltage versions: SERVOSTAR 40xM up to 3x230VAC and SERVOSTAR 44xM up to 3x400VAC
- Overvoltage category III acc. to EN 61800-5-1
- One size for the master and axis modules each, see page 39
- Analog input
- Fieldbus interface is integrated (standard: CANopen)
- RS232 is integrated
- Pulse-direction interface is integrated

Supply power

- Directly off electrical supply input (master only, B6 rectifier bridge, integral power input filter and inrush circuit):
 - 1 x 115V AC (SERVOSTAR 40xM only, unearthed operation is permitted)
 - 3 x 115V AC (SERVOSTAR 40xM only, unearthed operation is permitted)
 - 1 x 230V AC (SERVOSTAR 40xM only, unearthed operation is permissible)
 - 3 x 230V AC (all types, unearthed operation is permissible)
 - 3 x 400V AC (SERVOSTAR 44xM only, TN-system or TT-system with earthed neutral point)
- Fusing (e.g. fusible cutout) provided by the user
- Integrated interference suppression filter for the supply input (for category 2)
- Integrated interference suppression filter for the 24V auxiliary supply (for category 2)
- All shielding connections directly on the amplifier
- Output stage IGBT module with isolated current measurement
Clock frequency can be switched from 8 to 16 kHz with ASCII command (with power reduction, please contact our customer support)
- Brake circuit internal brake resistor as standard,
external brake resistor if required
- DC Bus link voltage 160...320V DC for SERVOSTAR 40xM
320...560V DC for SERVOSTAR 44xM
160...560V DC for SERVOSTAR 4xxA

Integrated safety

- Safe electrical separation to IEC 61800-5-1 between the power input / motor connections and the signal electronics, provided by appropriate creepage distances and complete electrical isolation
- Soft-start, overvoltage detection, short-circuit protection, phase-failure monitoring
- Temperature monitoring of servo amplifier and motor (when using our motors with our pre-assembled cables)

Auxiliary voltage 24V DC

- Electrically isolated via an external 24V DC PSU, e.g. with isolating transformer

Operation and parameter setting

- With the comfortable setup software, via the serial interface of a PC to a single connection for all axes in a system
- Station address setting through two keys and a 3-digit LED status display on the master
- Fully programmable via RS232 interface

Completely digital control

- Digital current controller (space vector pulse-width modulation, 62.5 μ s)
- Freely programmable digital speed controller (62.5 μ s or 250 μ s)
- Integral position controller, with adaptation possibilities for every application (250 μ s)
- Integrated pulse direction interface, for connection of a servomotor to a stepper-motor control
- Evaluation of the resolver signals or sine/cosine signals from a high-resolution encoder
- Encoder emulation (incremental ROD-426 compatible or SSI)

Comfort functions

- 4 programmable digital inputs
(two are normally defined as limit-switch inputs)
- 2 programmable digital outputs
- Freely programmable combinations of all digital signals

Options

- PROFIBUS DP interface instead of CANopen, see page 76
- SERCOS interface instead of CANopen, see page 77
- EtherCAT interface instead of CANopen, see page 78

6.2 Technical data

6.2.1 Rated data

		max. 230VAC		max. 400VAC			
		Master		Master		Axis module	
Rated data	DIM	403M	406M	443M	446M	403A	406A
Rated supply voltage (L1,L2,L3)	V~	1 x 115V ^{-10%} to 3 x 230V ^{+10%}		3 x 230V ^{-10%} to 3 x 400V ^{+10%}		—	
Max. installed load for S1 operation (in a multi-axis system)	kVA	7		12		—	
Rated DC Bus link voltage	V=	160 - 320		320 - 560		160 - 560	
Rated output current (rms value, ± 3%, @ 8kHz)	Arms	3	6*	3	6*	3	6*
Peak output current (max. ca. 5s, ± 3%, @ 8kHz)	Arms	9	12*	9	12*	9	12*
Clock frequency of output stage	kHz	8 (can be switched to 16, with power reduction, please contact our customer support)					
Overvoltage switch-off threshold	V	450		750		—	
maximum load inductance	mH	75	40	75	40	75	40
minimum load inductance	mH	12	7.5	12	7.5	12	7.5
Form factor of the output current (rated conditions and min. load inductance)	—	1.01					
Bandwidth of subordinate current controller	kHz	> 1.2					
Residual voltage drop at rated current	V	< 5					
Quiescent dissipation, output stage disabled	W	12	15	12	15	12	15
Dissipation at rated current (without brake dissipation)	W	35	60	35	60	30	40
Mechanical							
Weight	kg	3				1.7	
Height, without connectors	mm	230	267*	230	267*	230	267*
Width	mm	100				50	
Depth, without connectors	mm	240					

* with add-on ventilation, see page 40

6.2.2 Inputs / Outputs

Analog input, 14-bit resolution common-mode voltage max.	V	±10
	V	±10
Digital control inputs	V	low 0...7V, high 12...36V, 7mA
Digital control outputs, open emitter	V	max. 30V, 10mA
BTB/RTO output, relay contacts	V	DC max. 30, AC max 42
	mA	500
Auxiliary supply, electrically isolated, without holding brake, without fan	V	20 - 30
	A	n * 0.5
Auxiliary supply, electrically isolated, with holding brake or fan (check voltage drop !)	V	24 (-0% +15%)
	A	n * 2,5
Min./max. output current for holding brake	A	0.15 / 1.5
Connections		
Control signals	—	Combicon spring terminal
Power supply	—	Power Combicon
Motor	—	Combicon
Resolver input	—	SubD 9pol. (socket)
Incremental encoder input	—	SubD 15pol. (socket)
PC interface	—	SubD 9pol. (plug)
Encoder emulation, ROD/SSI	—	SubD 9pol. (plug)

n= number of axes

6.2.3 Recommended tightening torques

Connector	Tightening torque
X1, X3, X6	0.3 Nm
X0	1.3 Nm
Earthing bolts	3.5 Nm
lower mounting bolt	3.5 Nm

6.2.4 Fusing

Internal fusing

Function	
Auxiliary supply 24V	20 AM
Brake resistor	electronical

External fusing

Function	Fusible cutouts or similar
AC supply $F_{N1/2/3}$	16 A slow
24V supply $F_{H1/2}$	20 A slow
Brake resistor $F_{B1/2}$	6 A slow

6.2.5 Ambient conditions, ventilation, mounting position

Storage, transport	⇒ p.15
Supply voltage tolerances <u>main power</u> SERVOSTAR 40xM SERVOSTAR 44xM <u>auxiliary supply</u> w/o motor brake and w/o fan with motor brake or with fan	min 1x115V _{-10%} AC / max 1x230V _{+10%} , 50/60 Hz min 3x115V _{-10%} AC / max 3x230V _{+10%} , 50/60 Hz min 3x230V _{-10%} AC / max 3x400V _{+10%} , 50/60 Hz Current see "Inputs/Outputs" on p.26 20 VDC ... 30 VDC 24 VDC (-0% +15%), check voltage drop
Ambient temperature in operation	0...+45°C at rated conditions +45...+55°C with power derating 2.5% / K
Humidity in operation	rel. humidity 85%, no condensation
Site altitude	up to 1000m amsl without restrictions 1000...2500m amsl with derating 1.5% / 100m
Pollution level	Pollution level 2 as per IEC 60664-1
Vibrations	Class 3M1 according to IEC 60721-3-3
Noise emission	max. 45 dB(A)
Enclosure protection	IP 20
Mounting position	normally vertical ⇒ p.38
Ventilation	SERVOSTAR4x3: free convection SERVOSTAR4x6: add-on fan (⇒ p.40)
NOTICE	Make sure that there is adequate forced ventilation in the closed control cabinet.

6.2.6 Conductor cross-sections

Technical requirements to cables ⇒ p.45.

Following IEC 60204-1, we recommend :

AC connection	1.5 mm ² , depending on the system fusing
Motor cables, max. 25m	1 mm ² , shielded, capacitance <150pF/m
Resolver, motor thermal control, max.100m	4x2x0.25 mm ² , twisted pairs, shielded, capacitance <120pF/m
Encoder, motor thermal control, max. 50m	7x2x0.25 mm ² , twisted pairs, shielded, capacitance <120pF/m
Analog signals	0.25 mm ² , twisted pairs, shielded
Control signals, BTB, DGND	0.5 mm ²
Holding brake (motor)	0.75 mm ² , shielded, check voltage drop
+24 V / XGND	max. 2.5 mm ² Check voltage drop and total current!

NOTICE

To reach the max. permitted cable length, observe cable requirements ⇒ p. 45.

6.3 LED display

A 3-digit LED display indicates the amplifier status after switching on the 24V supply (⇒ p.95).

6.4 Control for motor holding brake

A motor holding brake (24V, max.1.5 A) can be controlled directly by the servo amplifier.



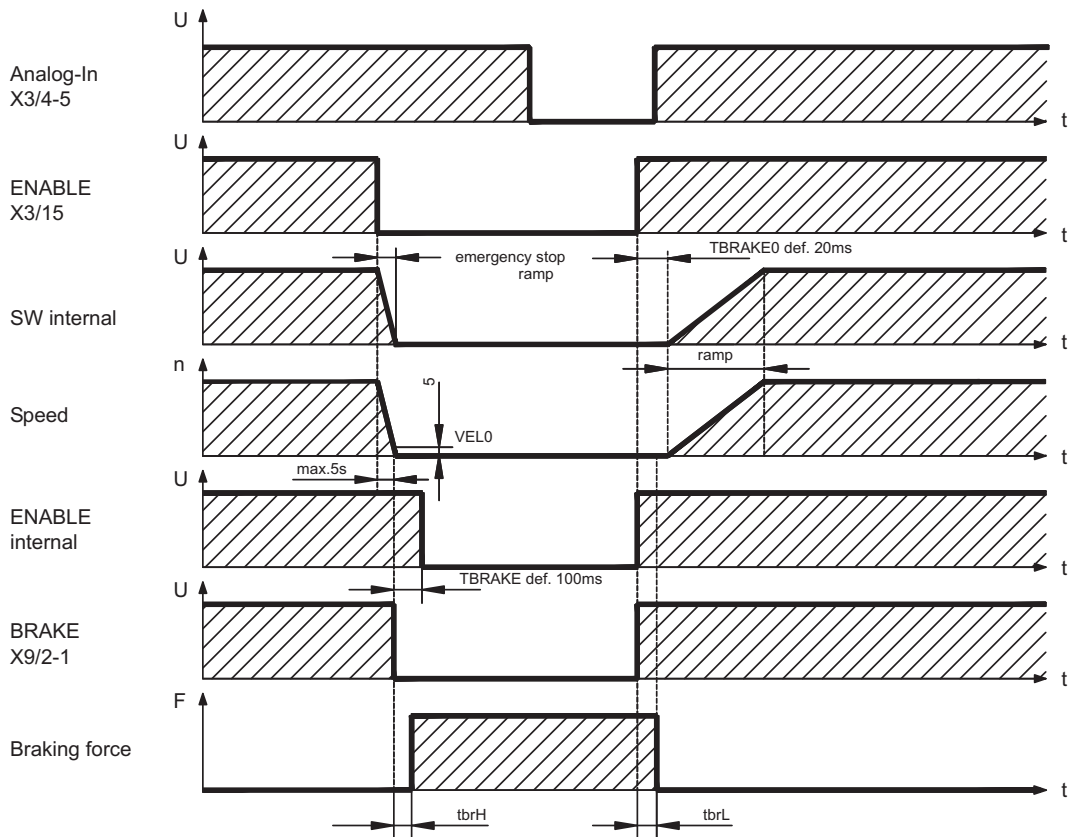
CAUTION No functional safety!

Danger by falling load (in case of suspended load, vertical axes). An additional mechanical brake is required for functional safety, which must be safely operated.

NOTICE

The brake only works with sufficient voltage level (⇒ p.27). Check voltage drop, measure the voltage at brake input and check brake function (brake and no brake).

The brake function must be enabled through the BRAKE parameter (on the screen page for *Motor*): the setting is *WITH*. In the diagram below you can see the timing and functional relationships between the ENABLE signal, speed setpoint, speed and braking force.



All values can be adjusted with parameters, the values in the diagram are default values.

During the internal enable delay time of 100 ms (DECDIS) the speed setpoint of the servo amplifier is internally driven down a 10 ms ramp to 0. The brake output is switched on when a speed of 5 rpm is reached, at the latest after 5s (EMRGTO).

The release delay time (t_{brH}) and the engage delay time (t_{brL}) of the holding brake that is built into the motor are different for the various types of motor (see motor manual).

A description of the interface can be found on page 52.

6.5 Grounding system

AGND — ground reference for analog signals, internal analog ground
 DGND — ground reference for digital signals and auxiliary supply voltage,
 optically isolated
 PGND — ground reference for position output
 The electrical isolation is indicated in the block diagram (⇒ p.47).

6.6 Electrical braking (brake circuit)

During braking with the aid of the motor, energy is fed back to the servo amplifier. This energy is converted into heat in the brake resistor. The brake resistor is switched in and out by the brake circuit. The switching thresholds for the brake circuit are adjusted to suit the supply voltage with the aid of the setup software.

Our customer support can help you with the calculation of the brake power which is required. A [simple method](#) is described in the KDN. A description of the interface can be found on page 52.

Internal brake resistor 33 Ω
External brake resistor 33 Ω

Functional description

The brake circuit starts to respond when the DC Bus link voltage reaches the set value. If the energy which is fed back from the motor, as an average over time or as a peak value, is higher than the preset brake power, then the servo amplifier will output the status *brake power exceeded* and the circuit will be switched off.

At the next internal check of the DC Bus link voltage (after a few milliseconds) an overvoltage will be detected and the servo amplifier will be switched off, with the error message *overvoltage* (⇒ p.96).

The BTB/RTO contact (terminals X1/1,2) will be opened simultaneously (⇒ p.73).

Technical data

Supply voltage	Rated data	DIM	Value
3 x 230 V	Upper switch-on threshold for brake circuit	V	400
	Switch-off threshold for brake circuit	V	380
	Continuous int. power in brake circuit (R_{Bint})	W	55
	Continuous ext. power in circuit (R_{Bext}) max.	kW	0,4
	Pulse power, internal (R_{Bint} max. 1s)	kW	4.8
	Pulse power, external (R_{Bext} max. 1s)	kW	4.8
	External brake resistor	Ω	33
3 x 400 V	Upper switch-on threshold for brake circuit	V	720
	Switch-off threshold for brake circuit	V	680
	Continuous int. power in brake circuit (R_{Bint})	W	80
	Continuous ext. power in circuit (R_{Bext}) max.	kW	0,6
	Pulse power, internal (R_{Bint} max. 1s)	kW	16
	Pulse power, external (R_{Bext} max. 1s)	kW	16
	External brake resistor	Ω	33

NOTE

Suitable external brake resistors can be found in our accessories manual.

6.7 Switch-on/-off behavior

This chapter describes the switch-on and switch-off behavior of the SERVOSTAR and the steps required to achieve operational stopping or emergency stop behavior that complies with standards.

NOTE

The servo amplifier's 24 V supply must remain constant. The ASCII commands [ACTFAULT](#) (error response, also depends on the specific error, see [ERRCODE](#)) and [STOPMODE](#) (Enable signal response) dictate how the drive will behave.

STOPMODE	ACTFAULT	Behavior (see also ASCII reference in the Online-Help of the setup software)
0 (default)	0	Motor coasts to a standstill in an uncontrolled manner
1	1 (default)	Motor is braked in a controlled manner

Behavior during a power failure

The servo amplifiers use an integrated circuit to detect if one or more input phases (power supply feed) fail. The behavior of the servo amplifier is set using the setup software: Under “**Response to Loss of Input Phase**” (PMODE) on the **Basic Setup** screen, select:

- **Warning** if the higher-level control system is to bring the drive to a standstill: Warning n05 is output if an input phase is missing, and the motor current is limited. The servo amplifier is not disabled. The higher-level control system can now selectively end the current cycle or start bringing the drive to a standstill. Therefore, the error message “MAINS BTB, F16” is output on a digital output of the servo amplifier and evaluated by the control system, for instance.
- **Error message** if the servo amplifier is to bring the drive to a standstill: Error message F19 is output if an input phase is missing. The servo amplifier is disabled and the BTB contact opens. Where the factory setting is unchanged (ACTFAULT=1), the motor is braked using the set “EMERGENCY STOP RAMP”.

Behavior when undervoltage threshold is reached

If the undervoltage threshold is undershot in the DC bus link (the threshold value depends on the type of servo amplifier), the error message “UNDERVOLTAGE, F05” is displayed. The drive response depends on the ACTFAULT/STOPMODE setting.

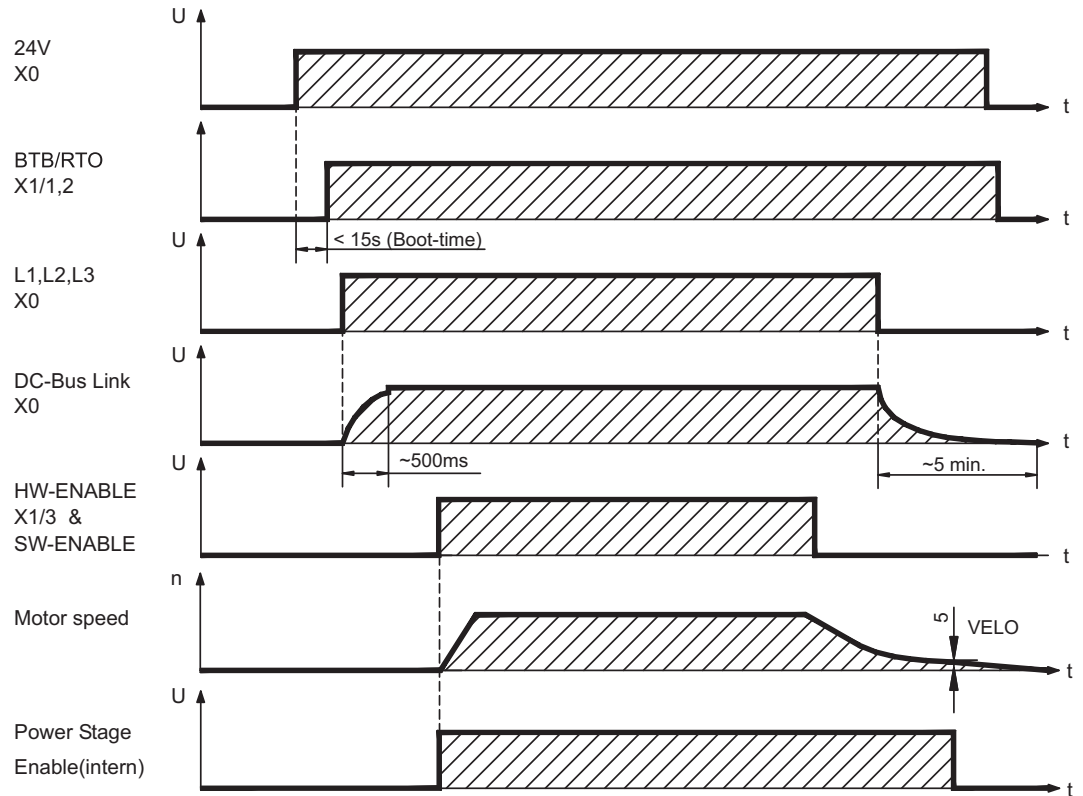
Behavior with enabled “holding brake” function

Servo amplifiers with an enabled holding brake function have a special procedure for switching off the output stage (⇒ p. 28). Removing the ENABLE signal triggers electrical braking.

As with all electronic circuits, the general rule applies that there is a possibility of the internal “holding brake” module failing. Bringing a motor to a standstill using a holding brake in a way that is personnel safe also requires an electromechanical “make” contact for the holding equipment and a suppressor device for the brake.

6.7.1 Behavior in standard operation

The behavior of the servo amplifier always depends on the current setting of a number of different parameters (e.g., ACTFAULT, VBUSMIN, VELO, STOPMODE, etc.; see [Online-Help](#)). The diagram below illustrates the correct functional sequence for switching the servo amplifier on and off.



Devices which are equipped with a selected holding "Brake" function use a special sequence for switching off the output stage (\Rightarrow p.28).

6.7.2 Behavior in the event of an error (with standard setting)

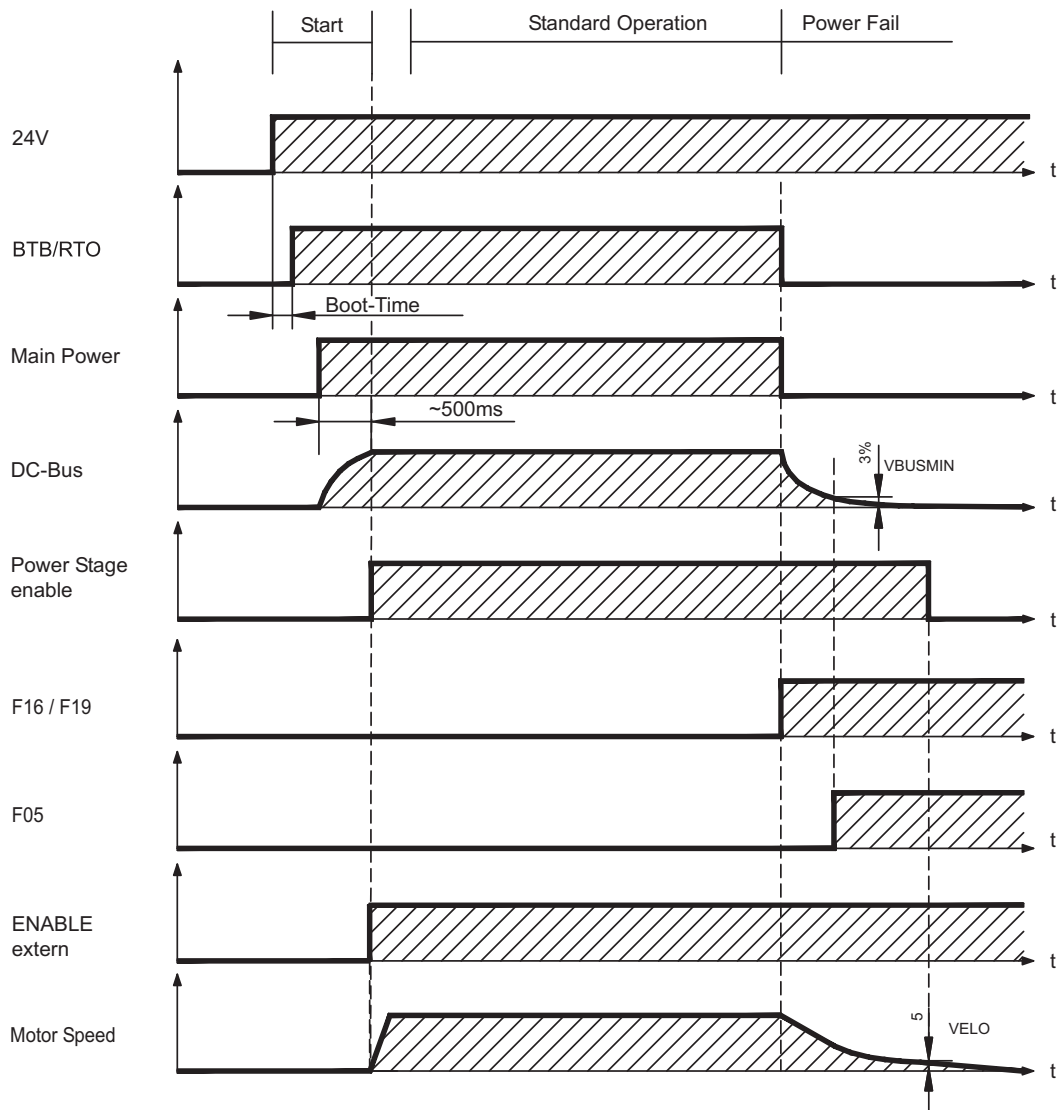
The behavior of the servo amplifier always depends on the current setting of a number of different parameters (e.g., ACTFAULT, VBUSMIN, VELO, STOPMODE, etc.; see [Online-Help](#)).



CAUTION Uncontrolled coasting!

Some faults (see [ERRCODE](#)) force the output stage to switch-off immediately, independant from the [ACTFAULT](#) setting. Danger of injury by uncontrolled coasting of the load. An additional mechanical brake is required for funktional safety, which must be safely operated

The diagram shows the startup procedure and the procedure that the internal control system follows in the event of one or more electrical supply phases failing, assuming that the standard parameter settings apply.



(F16/F19 = error messages Mains BTB /input phase, F05 = error message Undervoltage)

Even if there is no intervention from an external control system (in the example, the ENABLE signal remains active), the motor is immediately braked using the emergency stop ramp if an input phase error is detected and assuming that no changes have been made to the factory setting (ACTFAULT=1).

6.8 Stop-, Emergency Stop-, Emergency Off Function to IEC 60204

NOTE

The parameters "STOPMODE" and "ACTFAULT" must be set to 1 in order to implement the stop categories. If necessary, change the parameters via the terminal screen of the setup software and store the data in the EEPROM.

Examples for implementation can be found in the KDN on page "[Stop and Emergency Stop Function](#)".

6.8.1 Stop

The Stop function is used to shut down the machine in normal operation. The Stop functions are defined by IEC 60204.

Category 0: Shut-down by immediate switching-off of the energy supply to the drive machinery (i.e. an uncontrolled shut-down).

Category 1: A controlled shut-down, whereby the energy supply to the drive machinery is maintained to perform the shut-down, and the energy supply is only interrupted when the shut-down has been completed;

Category 2: A controlled shut-down, whereby the energy supply to the drive machinery is maintained.

The Stop Category must be determined by a risk evaluation of the machine. In addition, suitable means must be provided to guarantee a reliable shut-down.

Category 0 and Category 1 Stops must be operable independently of the operating mode, whereby a Category 0 Stop must have priority. Stop functions must be implemented by **disconnection** of the appropriate circuitry, and have priority over assigned start functions.

If necessary, provision must be made for the connection of protective devices and lock-outs. If applicable, the Stop function must signal its status to the control logic. A reset of the Stop function must not create a hazardous situation.

Examples for implementation can be found in the KDN on page "[Stop and Emergency Stop Function](#)".

6.8.2 Emergency Stop

The Emergency Stop function is used for the **fastest possible shutdown** of the machine in a dangerous situation. The Emergency Stop function is defined by IEC 60204. Principles of emergency stop devices and functional aspects are defined in ISO 13850.

The Emergency Stop function will be triggered by the manual actions of a single person. It must be fully functional and available at all times. The user must understand instantly how to operate this mechanism (without consulting references or instructions).

NOTE

The Stop Category for the Emergency Stop must be determined by a risk evaluation of the machine.

In addition to the requirements for stop, the Emergency Stop must fulfil the following requirements:

- Emergency Stop must have priority over all other functions and controls in all operating modes.
- The energy supply to any drive machinery that could cause dangerous situations must be switched off as fast as possible, without causing any further hazards (Stop Category 0) or must be controlled in such a way, that any movement that causes danger, is stopped as fast as possible (Stop Category 1).
- The reset must not initiate a restart.

Examples for implementation can be found in the KDN on page "[Stop and Emergency Stop Function](#)".

6.8.3 Emergency Off

The Emergency Off function is used to switch-off the electrical power supply of the machine. This is done to prevent users from any risk from electrical energy (for example electrical impact). Functional aspects for Emergency Off are defined in IEC 60364-5-53.

The Emergency Off function will be triggered by the manual actions of a single person.

NOTE

The result of a risk evaluation of the machine determines the necessity for an Emergency Off function.

Emergency Off is done by switching off the supply energy by electro-mechanical switching devices. This results in a category 0 stop. If this stop category is not possible in the application, then the Emergency Off function must be replaced by other measures (for example by protection against direct touching).

6.9 Shock-hazard protection

6.9.1 Leakage current

Leakage current via the PE conductor results from the combination of equipment and cable leakage currents. The leakage current frequency pattern comprises a number of frequencies, whereby the residual-current circuit breakers definitively evaluate the 50Hz current. As a rule of thumb, the following assumption can be made for leakage current on our low-capacity cables at a mains voltage of 400 V, depending on the clock frequency of the output stage:

$$I_{\text{leak}} = n \times 20\text{mA} + L \times 1\text{mA/m} \text{ at } 8\text{kHz clock frequency at the output stage}$$

$$I_{\text{leak}} = n \times 20\text{mA} + L \times 2\text{mA/m} \text{ at a } 16\text{kHz clock frequency at the output stage}$$

(where I_{leak} =leakage current, n =number of amplifiers, L =length of motor cable)

At other mains voltage ratings, the leakage current varies in proportion to the voltage.

Example: 2 x servo amplifiers + a 25m motor cable at a clock frequency of 8kHz:
 $2 \times 20\text{mA} + 25\text{m} \times 1\text{mA/m} = 65\text{mA}$ leakage current.

NOTE

Since the leakage current to PE is more than 3.5 mA, in compliance with IEC 61800-5-1 the PE connection must either be doubled or a connecting cable with a cross-section $>10\text{mm}^2$ must be used. Use the PE terminal X0/3 and the PE bolt in order to fulfil this requirement.

The following measures can be used to minimise leakage currents.

- Reduce the length of the engine cable
- Use low-capacity cables (see p.45)
- Remove external EMC filters (radio-interference suppressors are integrated)

6.9.2 Residual-current circuit breakers (FI)

In conformity with IEC 60364-4-41 – Regulations for installation and IEC 60204 – Electrical equipment of machinery, residual-current circuit-breakers (called FI below) can be used provided the requisite regulations are complied with. The SERVOSTAR 400 is a 3-phase system with a B6 bridge. Therefore, **FIs which are sensitive to all currents** must be used in order to detect any D.C. fault current.

Rated residual currents in the FI

10 -30 mA	Protection against "indirect contact" for stationary and mobile equipment, as well as for "direct contact".
50 -300 mA	Protection against "indirect contact" for stationary equipment

NOTE

Recommendation: In order to protect against direct contact (with motor cables shorter than 5 m) we recommend that each servo amplifier be protected individually using a 30mA residual-current circuit-breaker which is sensitive to all currents.

If you use a selective FI circuit-breaker, the more intelligent evaluation process will prevent spurious tripping of the circuit-breakers.

6.9.3 Isolating transformers

When protection against indirect contact is absolutely essential despite a higher leakage current, or if an alternative form of shock-hazard protection is sought, the SERVOSTAR 400 can also be operated via an isolating transformer. A ground-leakage monitor can be used to monitor for short circuits.

NOTE

Be advise to keep the length of wiring between the transformer and the servo amplifier as short as possible.

This page has been deliberately left blank.

7 Mechanical Installation

7.1 Important notes



CAUTION High leakage current!

There is a danger of electrical shock by high EMC level which could result in injury, if the servo amplifier (or the motor) is not properly EMC-grounded.

- Do not use painted (i.e. non-conductive) mounting plates.
- In unfavourable circumstances, use copper mesh tape between the earthing bolts and earth potential to deflect currents.

NOTICE

Protect the servo amplifier from impermissible stresses. In particular, do not let any components become bent or any insulation distances altered during transport and handling. Avoid contact with electronic components and contacts.

NOTICE

The servo amplifier will switch-off itself in case of overheating. Ensure that there is an adequate flow of cool, filtered air into the bottom of the control cabinet, or use a heat exchanger. Please refer to page 27.

NOTICE

Don't mount devices, which produce magnetic fields, directly beside the servo amplifier. Strong magnetic fields could directly affect internal components. Install devices which produce magnetic field with distance to the servo amplifiers and/or shield the magnetic fields.

NOTICE

Not more than 7 axis modules can be connected to a master module.

7.2 Guide to mechanical installation

The following notes should assist you to carry out the mechanical installation in a sensible sequence, without overlooking anything important:

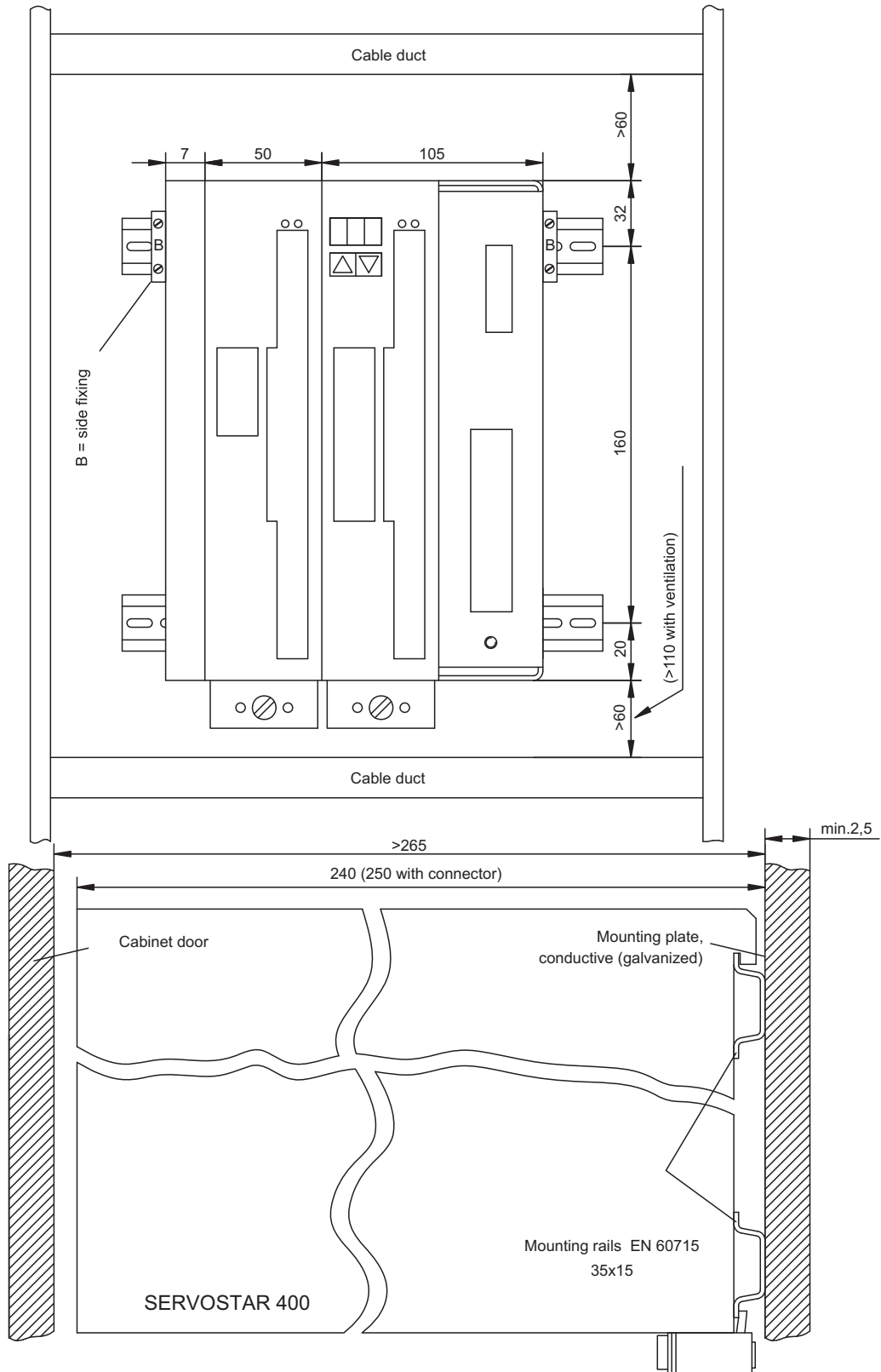
Site	In a closed control cabinet. Observe page 27. The site must be free from conductive or corrosive materials. For the mounting position within the cabinet ⇒ p.38
Ventilation	Check that the ventilation of the servo amplifier is unimpeded and keep within the permitted ambient temperature ⇒ p.27 . Keep the required space clear above and below the servo amplifier ⇒ p.38.
Mounting	Mount the servo amplifier on mounting rails (DIN-rails) on the conductive, earthed mounting plate in the control cabinet and mount the necessary add-on fans (⇒ p.40)
Grounding, Shielding	EMC-conform shielding and grounding (⇒ p.49) Earth the mounting plate, motor housing and CNC-GND of the controls. Notes on connection techniques are on page 40

7.3 Mounting

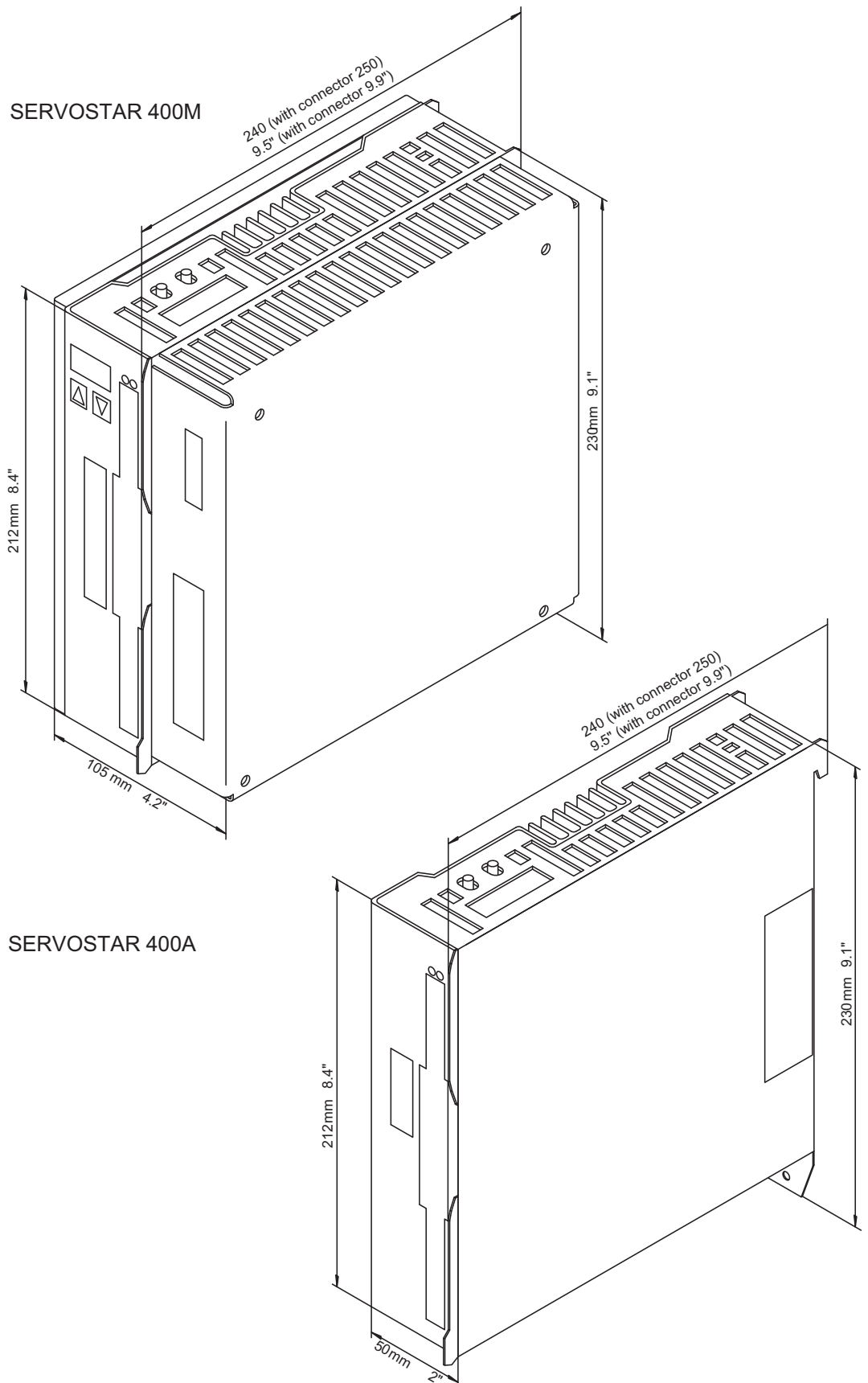
Material: 2 mounting rails to IEC60715, min. length = system width + 40mm, make sure there is a conductive connection to the mounting plate

Mount the protective cover (7mm) on the left side of the system.

Tools required: Screwdriver with approx. 5 mm blade width



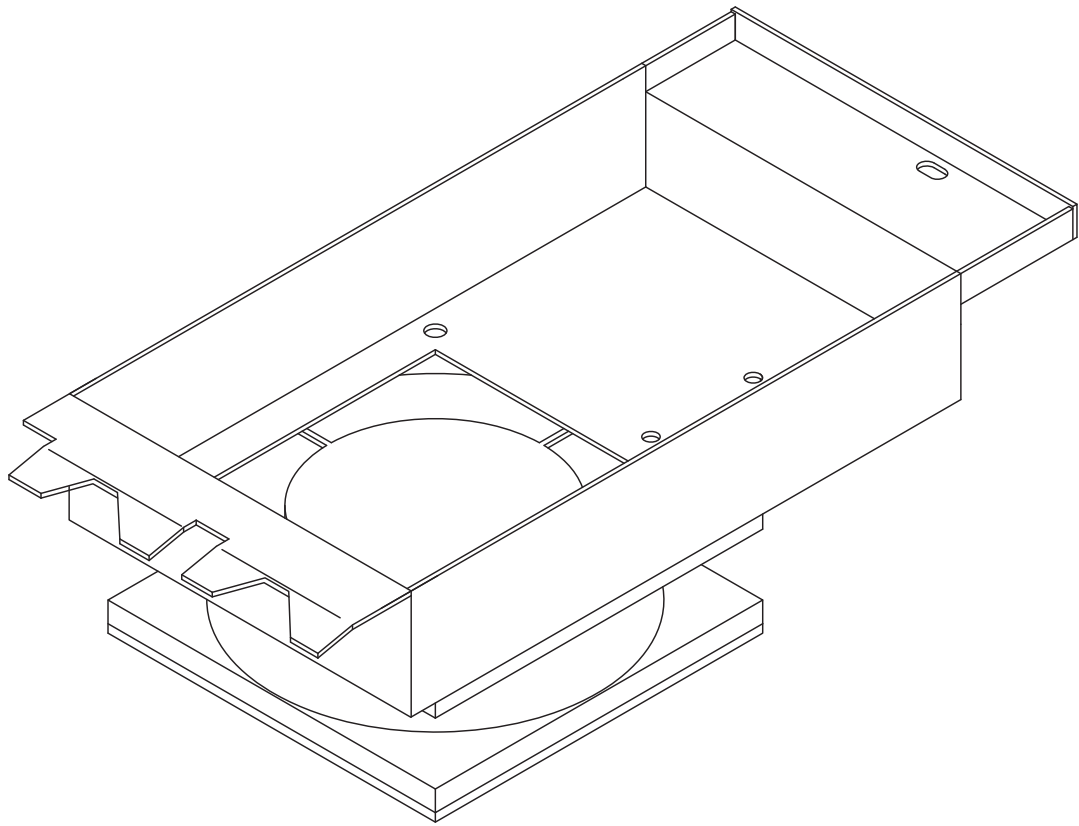
7.4 Dimensions



7.5

Add-on fan

Electrical add-on fan for two axes to achieve rated power even under unfavourable ambient conditions, **required for SERVOSTAR4x6**.

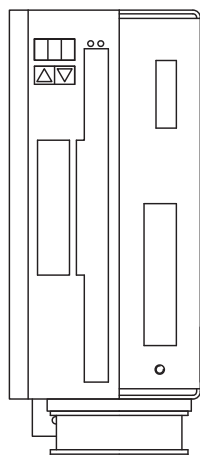


To mount the fan, just hook it in the designated slots at the bottom of the SERVOSTAR and screw the fixing bolt into the thread in the housing. The electrical connection takes place automatically when mounting the fan.

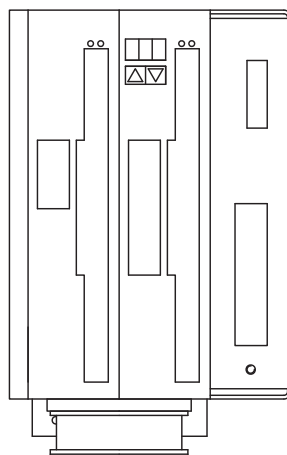
NOTE

Please consider that a mounted fan increases the required space underneath the amplifier! (⇒ p. 38)

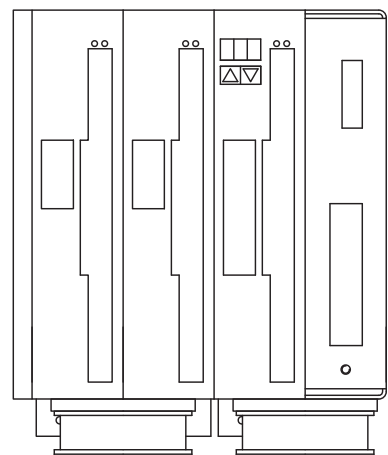
The drawing below shows, how the fan should be mounted. With an odd number of axes (master included), the fan must also cover the power supply unit at the master.



Single master



Master with 1 Axis module



Master with 2 Axis modules

8 Electrical Installation

8.1 Important notes



DANGER High voltage up to 800V!

There is a danger of serious personal injury or death by electrical shock or electrical arcing. Capacitors can still have dangerous voltages present up to 5 minutes after switching off the supply power. Control and power connections can still be live, even if the motor is not rotating.

- Only install and wire the equipment when it is not live.
- Make sure that the cabinet is safely disconnected (for instance, with a lock-out and warning signs).
- Never remove electrical connections to the drive while it is live.
- Wait at least 5 minutes after disconnecting the drive from the main supply power before touching potentially live sections of the equipment (e.g. contacts) or undoing any connections.
- To be sure, measure the voltage in the DC bus link and wait until it has fallen below 50 V.

NOTICE

Wrong mains voltage, unsuitable motor or wrong wiring will damage the amplifier. Check the combination of servo amplifier and motor. Compare the rated voltage and current of the units. Implement the wiring according to the connection diagram on p. 43. Make sure that the maximum permissible rated voltage at the terminals L1, L2, L3 or +DC, -DC is not exceeded by more than 10% even in the most unfavorable circumstances (see IEC 60204-1).

NOTICE

Excessively high external fusing will endanger cables and devices. The fusing of the AC supply input and 24V supply must be installed by the user, best values are given on p.26. Hints for use of Residual-current circuit breakers (FI) ⇒ p.35.

NOTICE

The servo amplifier's status must be monitored by the PLC to acknowledge critical situations. Wire the BTB/RTO contact in series into the emergency off circuit of the installation. The emergency off circuit must operate the supply contactor.

8.2 Guide to electrical installation

NOTICE

Correct wiring is the basis for reliable functioning of the servo system. Route power and control cables separately. We recommend a distance of at least 200mm. This improves the interference immunity. If a motor power cable is used that includes cores for brake control, the brake control cores must be separately shielded. Ground the shielding at both ends. Ground all shielding with large areas (low impedance), with metalized connector housings or shield connection clamps wherever possible. Notes on connection techniques can be found on page 40.

NOTICE

Feedback lines may not be extended, since thereby the shielding would be interrupted and the signal processing could be disturbed. Lines between amplifiers and external brake resistor must be shielded. Install all power cables with an adequate cross-section, as per IEC 60204 (⇒ p.27) and use the requested cable material (⇒ p. 45) to reach max. cable length.

The following notes should assist you to carry out the electrical installation in a sensible sequence, without overlooking anything important:

Cable selection

Select cables according to IEC 60204-1, ⇒ p.27

Grounding, Shielding

EMC-conform shielding and grounding (⇒ p.49) Earth the mounting plate, motor housing and CNC-GND of the controls. Notes on connection techniques are on page 40

Wiring

- Route power leads separately from control cables
- Wire the BTB/RTO contact in series into the emergency stop circuit
- Connect the digital control inputs to the servo amplifier
- Connect up AGND
- Connect the analog setpoint, if required
- Connect the feedback unit (resolver or encoder)
- If required, connect the encoder emulation
- If required, connect the fieldbus
- Connect the motor cable
 - Connect shielding to EMC connectors at the motor end, and the shielding lug at the amplifier end
- Connect motor-holding brake, with shielding to EMC connector at the motor end, and to shielding lug at the amplifier end
- If required, connect the external brake resistor (with fusing)
- Connect the auxiliary supply (maximum permissible voltages ⇒ p.27)
- Connect main power supply (maximum permissible voltages ⇒ p.27)
- Connect PC (⇒ p.74).

Check

Make a final check of the wiring carried out against the wiring diagrams that have been used

8.3 Wiring

The installation procedure is described as an example. A different procedure may be appropriate or necessary, depending on the application of the equipment.

We provide further know-how through **training courses** (on request).



DANGER High voltage up to 800V!

There is a danger of electrical arcing with damage to contacts and serious personal injury.

- Only install and wire up the equipment when it is not live, i.e. when neither the electrical supply nor the 24 V auxiliary voltage nor the supply voltages of any other connected equipment is switched on.
- Make sure that the cabinet is safely disconnected (for instance, with a lock-out and warning signs).

NOTE

The ground symbol \perp , which you will find in all the wiring diagrams, indicates that you must take care to provide an electrically conductive connection with the largest possible area between the unit indicated and the mounting plate in the control cabinet. This connection is for the effective grounding of HF interference, and must not be confused with the PE symbol \perp (protective earth to IEC 60204).

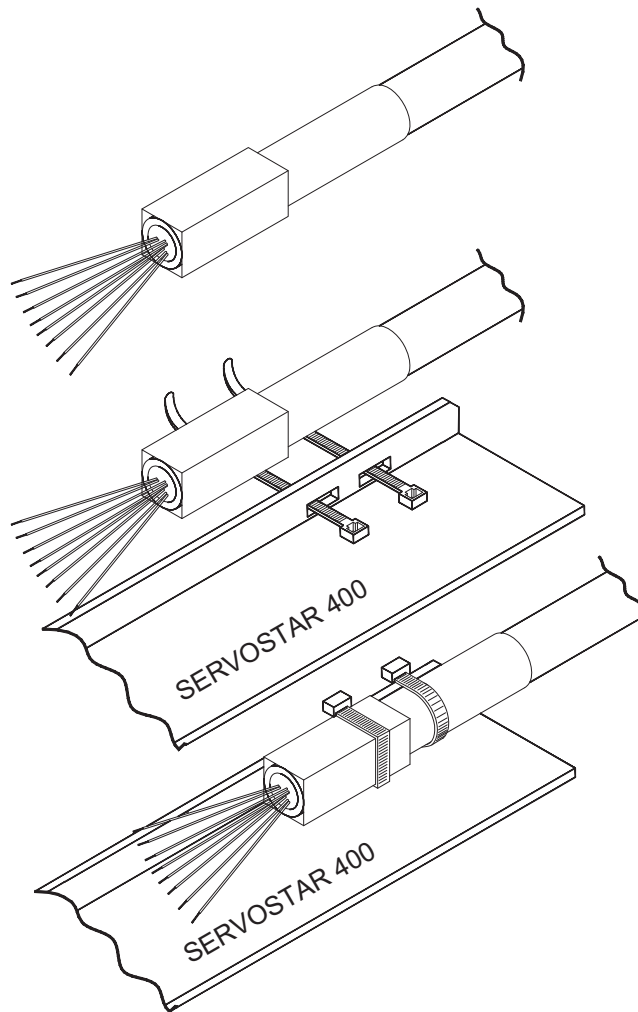
NOTE

Use the following wiring and connection diagrams :

Overview:

Master module	: Page 49
Axis module	: Page 50
Mains power	: Page 51
Motor	: Page 52
Feedback	: Page 55ff
Electronic Gearing / Master Slave	
Master/slave	: Page 63
Pulse/direction	: Page 66
Encoder emulation:	
ROD (A quad B)	: Page 68
SSI	: Page 69
Digital&Analog I/Os	: Page 70ff
RS232 / PC	: Page 74
Fieldbus:	
CAN interface	: Page 75
PROFIBUS interface	: Page 76
SERCOS interface	: Page 77
EtherCAT interface	: Page 78
Multiaxis systems	: Page 93

8.3.1 Shield connection on the front panel



The pre-assembled cables for SERVOSTAR 400 are provided with an overall metal ferrule at the amplifier end that is electrically connected to the shielding.

Thread a cable tie through each slot in the shielding strip (front panel) of the servo amplifier.

Tighten up the cable ties so that the shielding ferrule and the sheathing of the cable is pressed down tightly against the shielding strip.

8.3.2 Requirements to cables

Further information on the chemical, mechanical and electrical characteristics of the cables can be obtained from our customer support.

NOTE

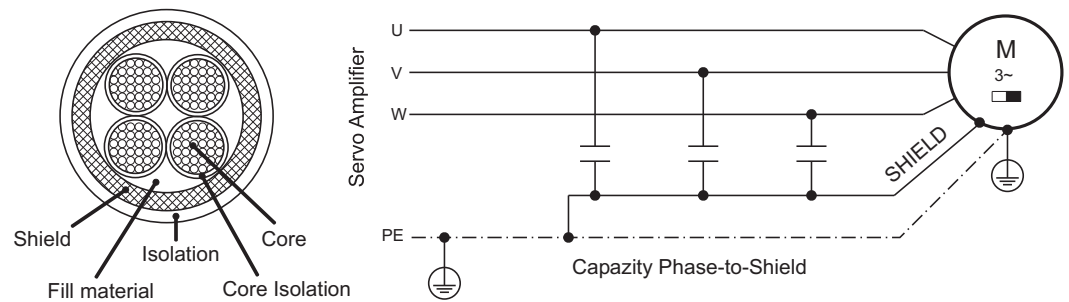
Observe the restrictions in the chapter "Conductor cross-sections" on page 27. To operate the amplifier with the max. permitted cable length, you must use cable material which meets the requirements on the capacity given below.

Capacitance

Motor cable	less than 150 pF/m
RES/encoder cable	less than 120 pF/m

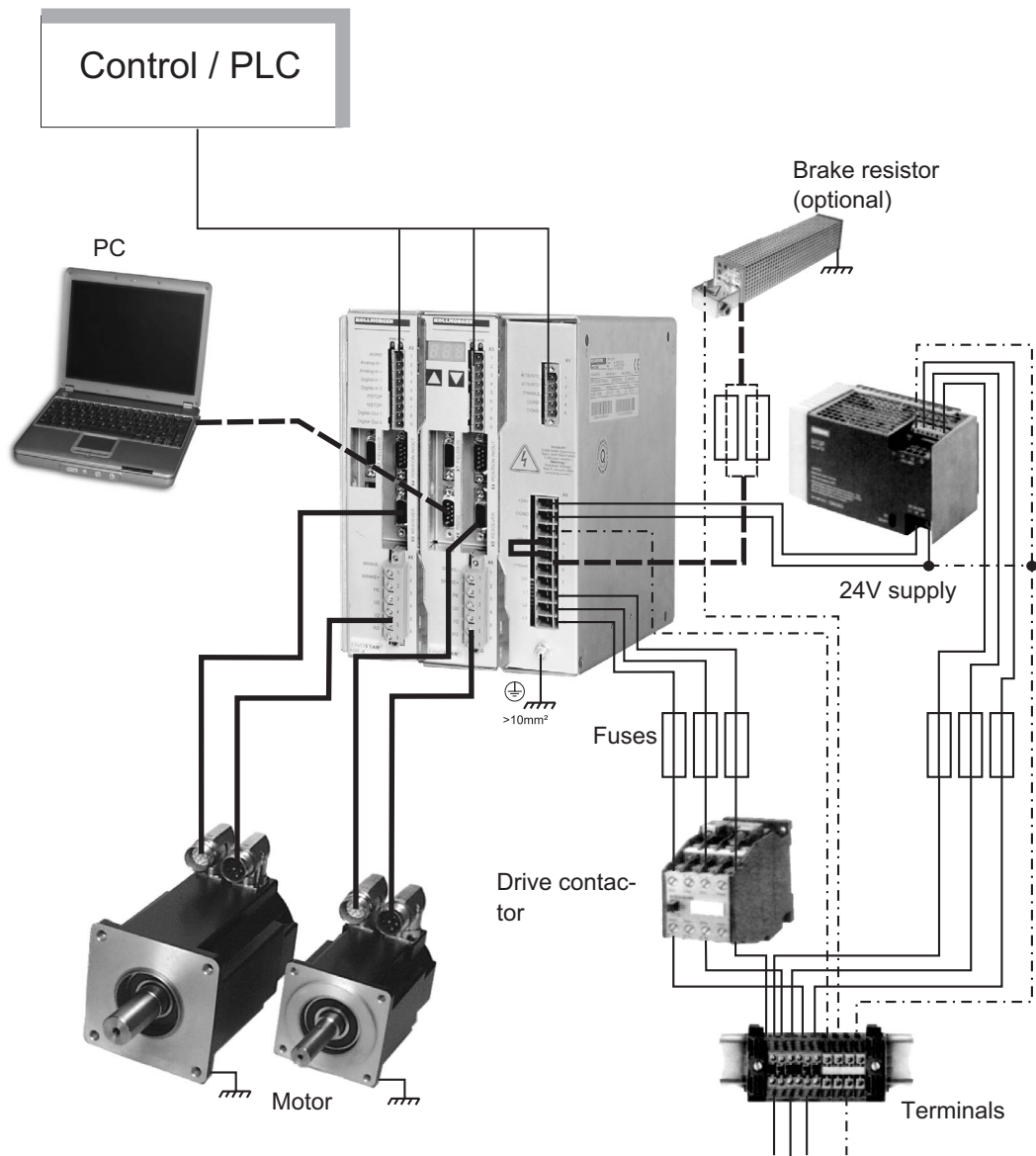
Example motor cable:

Technical data



For a detailed description of cable types and how to assemble them, please refer to the accessories manual.

8.4 Components of a servo system

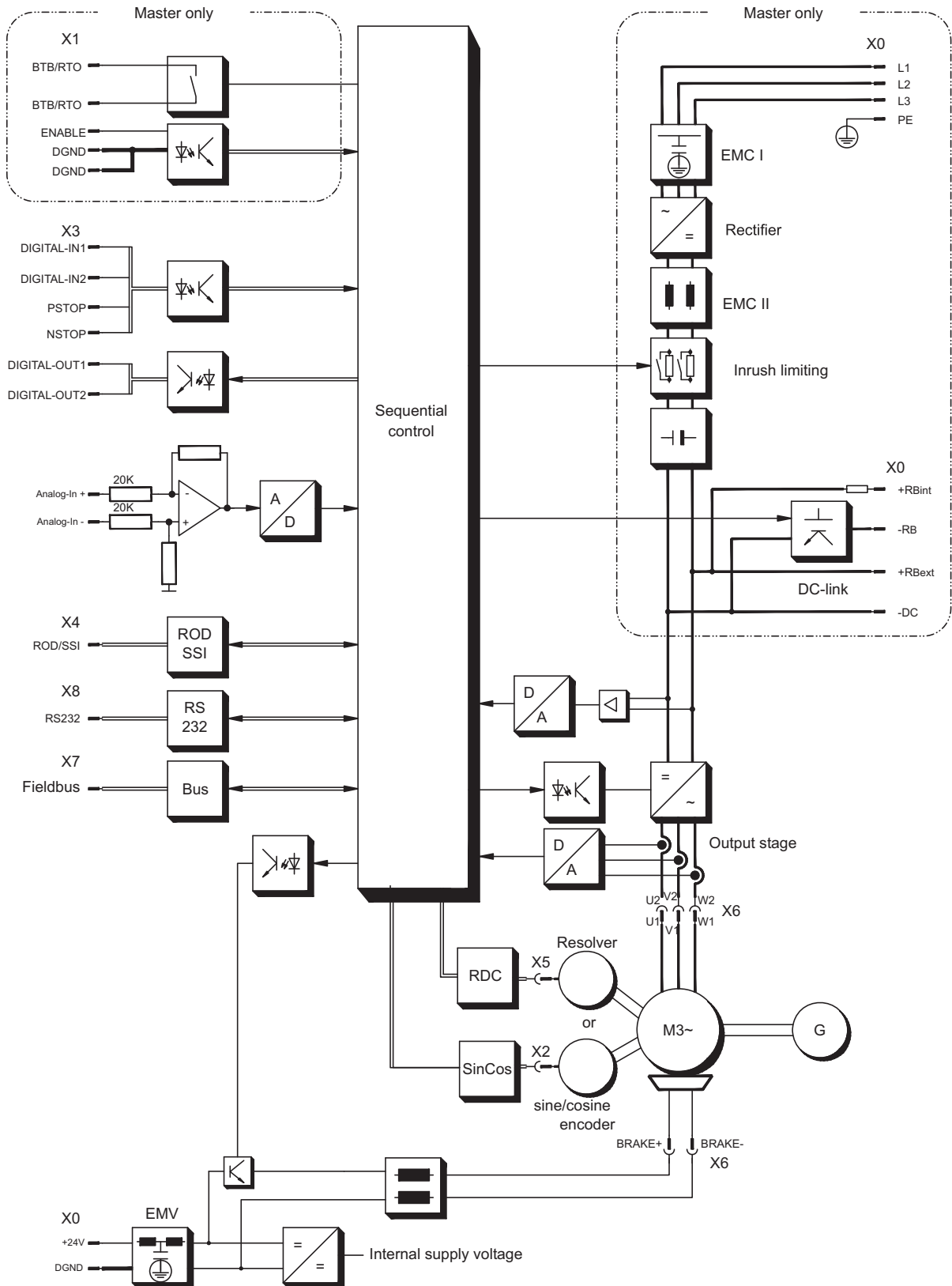


NOTE

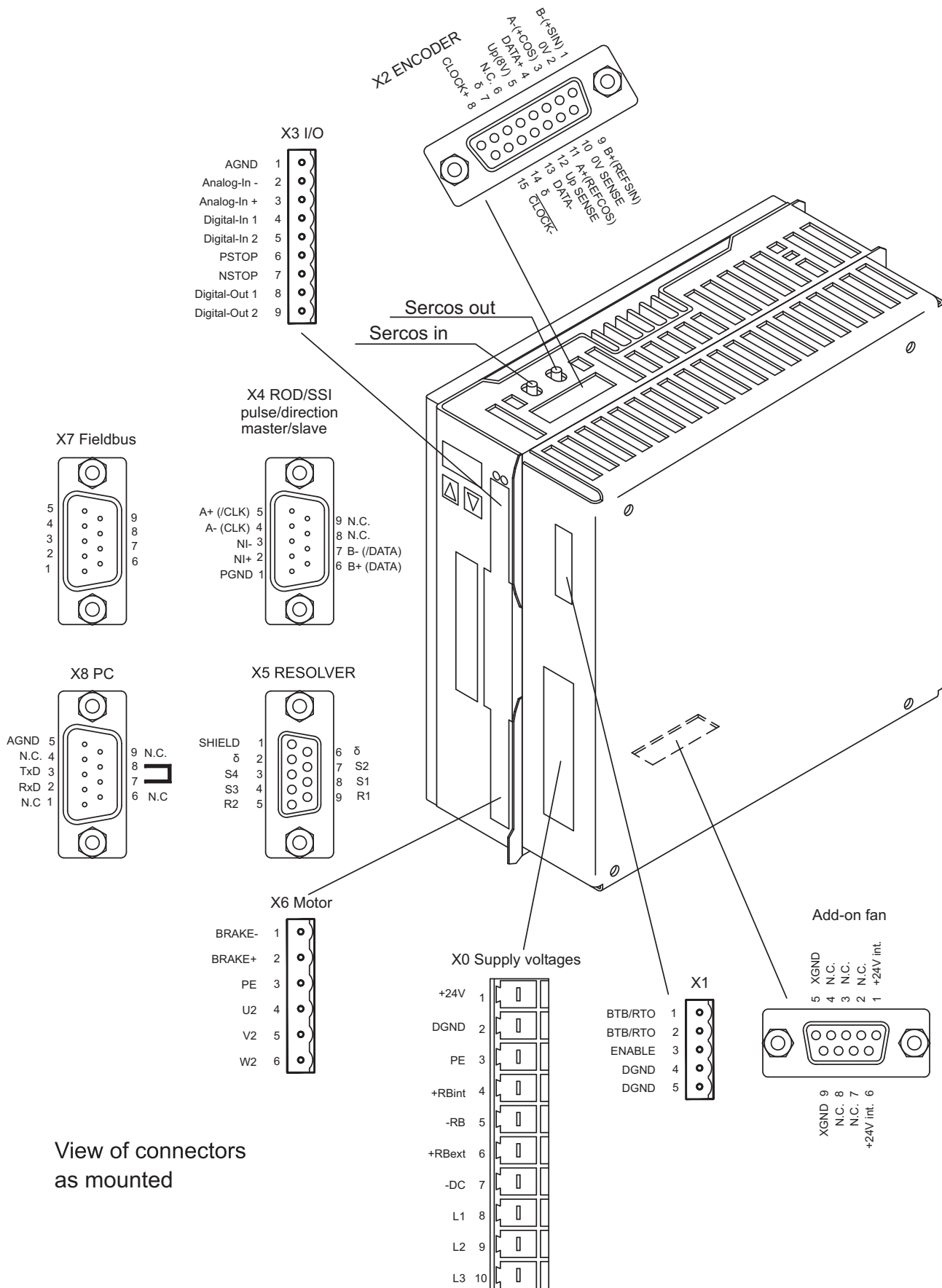
Cables drawn bold are shielded. Electrical ground is drawn with dash-dotted lines. Optional devices are connected with dashed lines to the servo amplifier. The required accessories are described in our accessories manual.

8.5 Block diagram

The block diagram below just provides an overview.



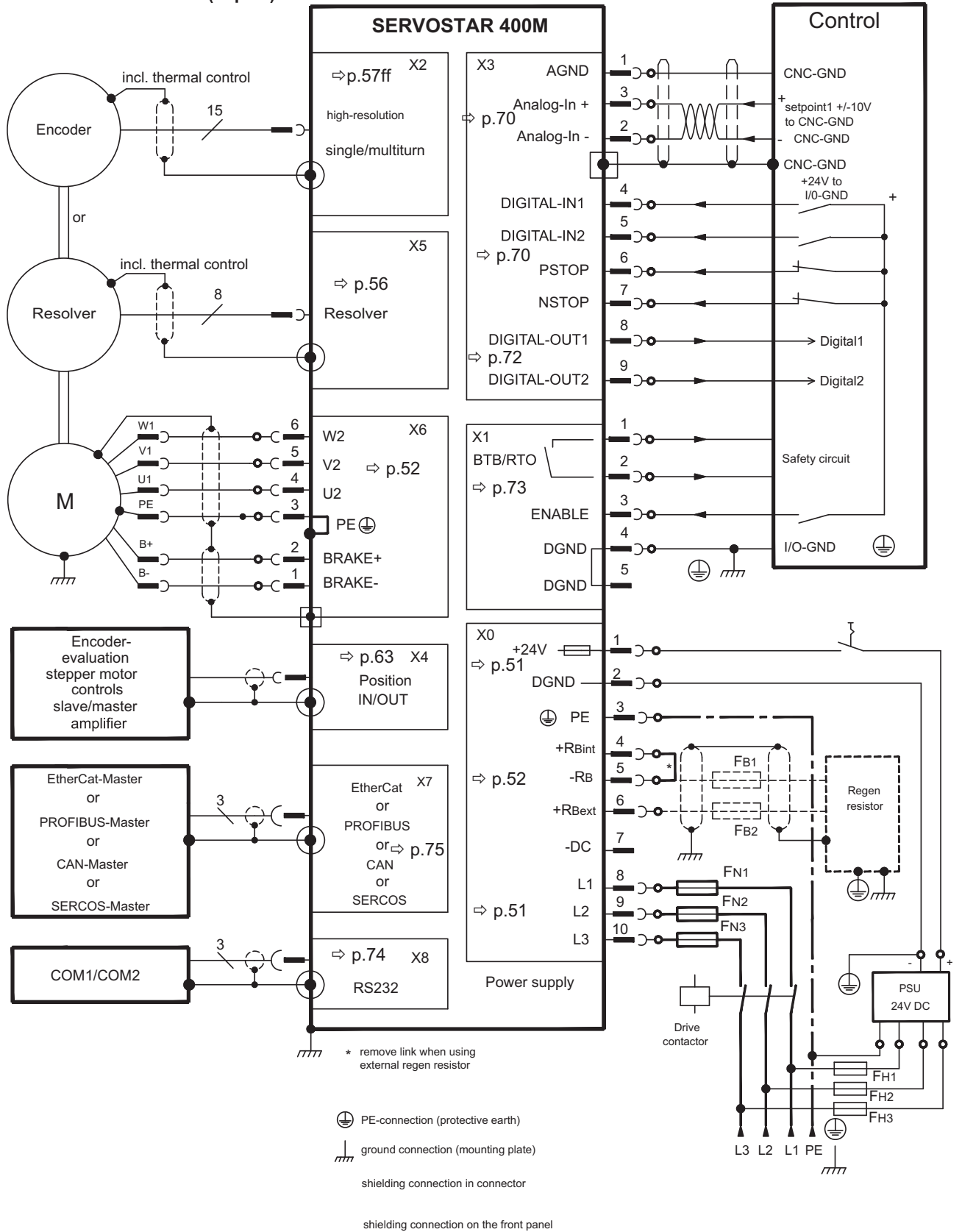
8.6 Connector assignments



View of connectors as mounted

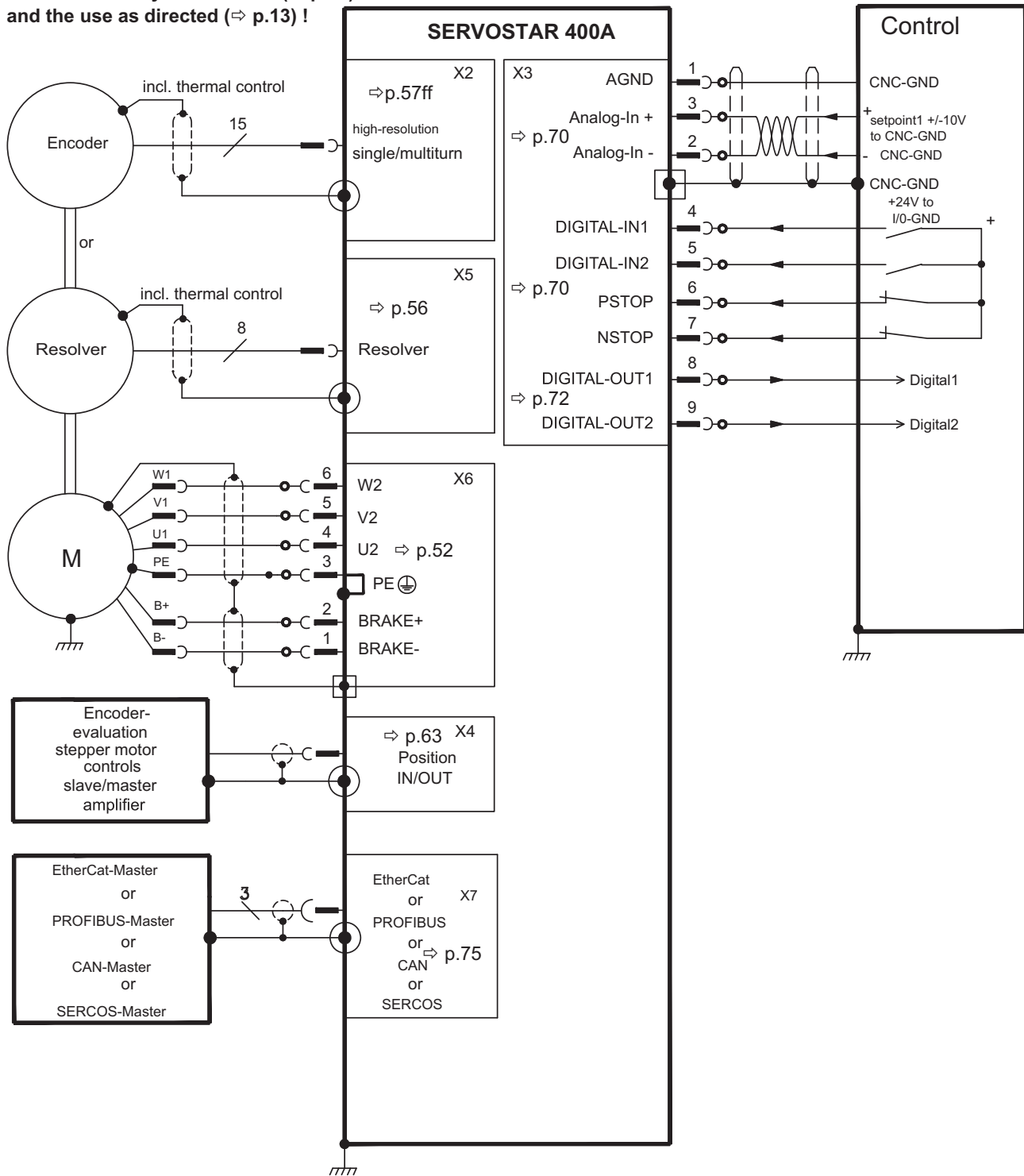
8.7 Connection diagram master module (overview)

Follow the safety instructions (⇒ p.11) and the use as directed (⇒ p.13) !



8.8 Connection diagram axis module (overview)

Follow the safety instructions (⇒ p.11) and the use as directed (⇒ p.13) !



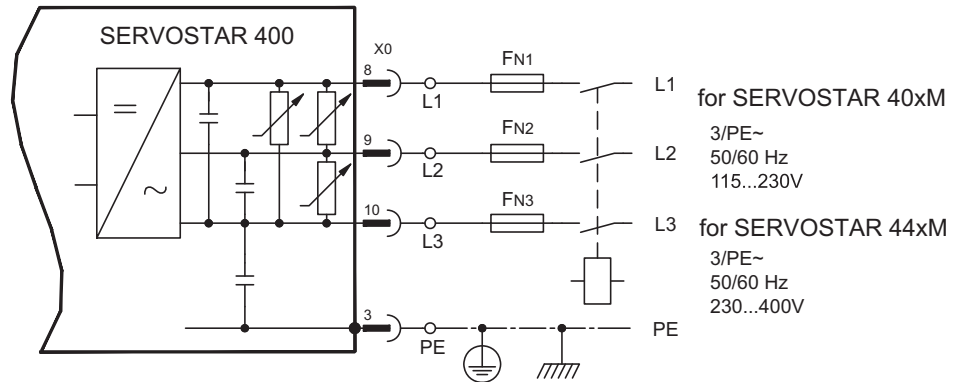
- PE-connection (protective earth)
- ground connection (mounting plate)
- shielding connection in connector
- shielding connection on the front panel

8.9 Power supply, master only

8.9.1 Mains supply connection (X0)

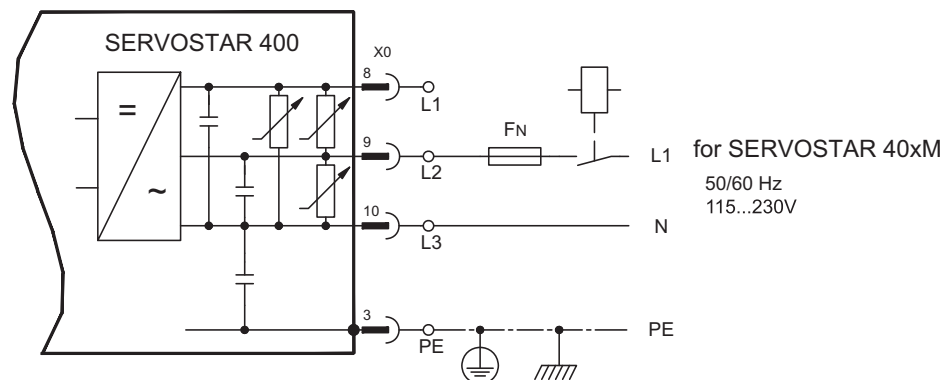
Three-phase supplies

Directly to earthed supply, filter is integrated, fusing (e.g. fusible cut-outs) to be provided by the user (⇒ p.26).



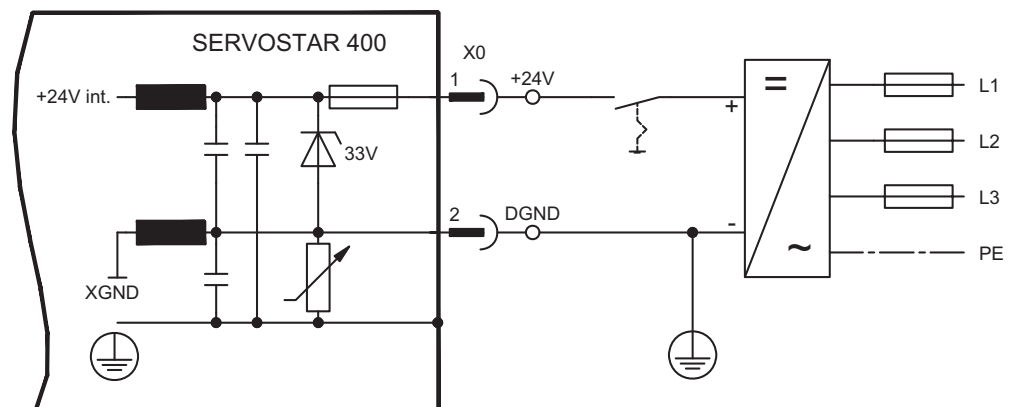
Single-phase supplies

Directly to supply, filter is integrated, fusing (e.g. fusible cut-outs) to be provided by the user (⇒ p.26).



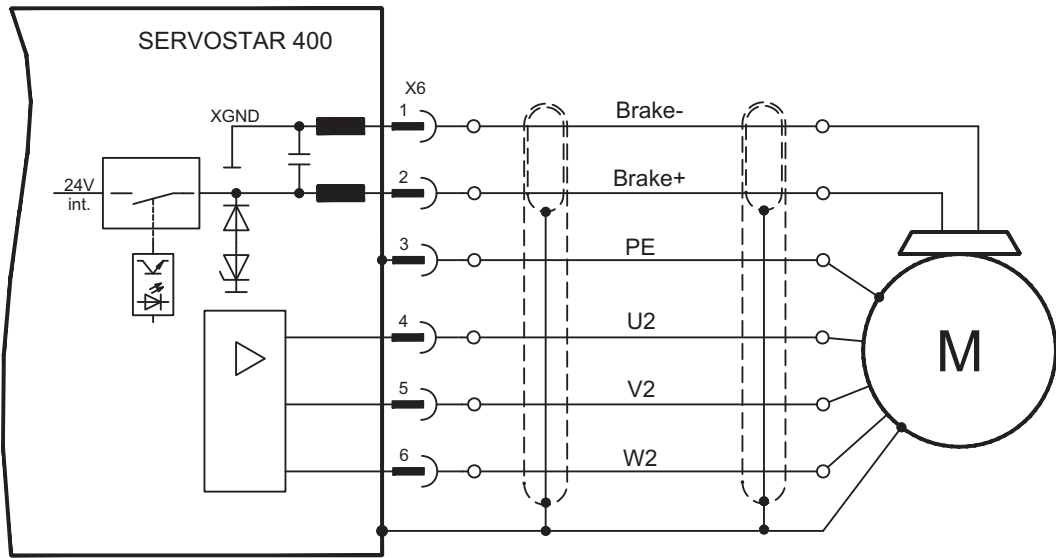
8.9.2 24V auxiliary voltage (X0)

- Electrically isolated supply from an external 24 V DC PSU, e.g. with isolating transformer
- Required current rating (⇒ p.26)
- **Observe summarized current and voltage drop!**
- Integrated EMC filter for the 24 V auxiliary supply



8.10 Motor connection with brake (X6)

Max. admissible length of the motor cable is 25 m.



8.11 DC Bus link (X0)

Can be connected in parallel with further, identical masters (via terminals **-DC** and **RB_{ext}**).

NOTICE

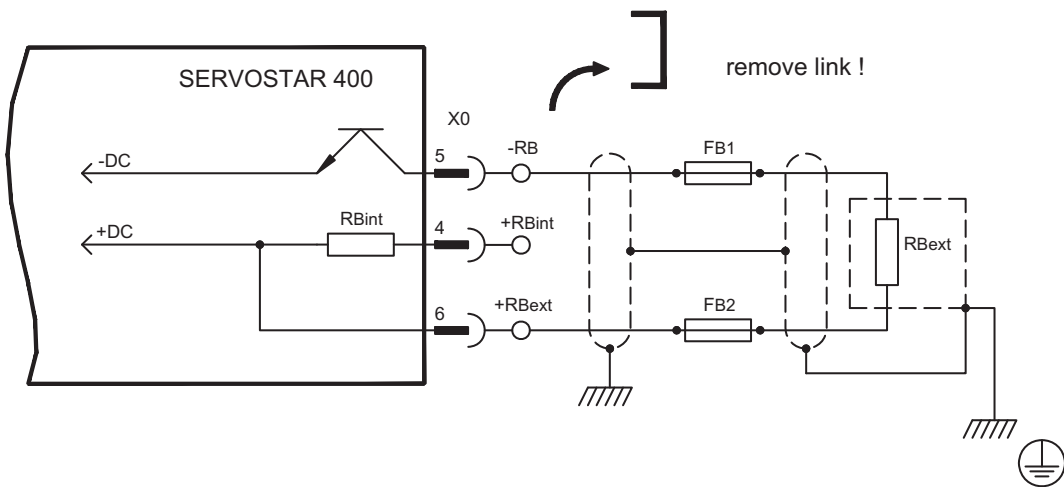
Only servo amplifiers with mains supply from the same mains (identical mains supply voltage) may be connected by the DC bus link. Use unshielded single cores (2.5mm²) with a max. length of 200 mm. Use shielded cables for longer lengths.

The sum of the rated currents for all of the servo amplifiers connected in parallel to an SERVOSTAR 400 Master must not exceed 24 A.

Information for fusing can be found in the "[KDN](#)".

8.11.1 External brake resistor (X0), master only

Remove the plug-on link between terminals X0/5 (-R_B) and X0/4 (+R_{bint}).



8.11.2 Capacitor Modules (X0), master only

KCM modules (**KOLLMORGEN Capacitor Modules**) absorb energy generated by the motor when it is operating in generator mode. Normally, this energy is dissipated as waste via brake resistors. KCM modules, however, feed the energy they have stored back into the DC Bus link as and when it is required.

Dimensions (HxWxD) : 300 x100 x 201 mm

KCM-S	Saves energy: The energy stored in the capacitor module during regenerative braking is available the next time acceleration happens. The module's inception voltage is calculated automatically during the first load cycles.
KCM-P	Power in spite of power failure: If the power supply fails, the module provides the servo amplifier with the stored energy that is required to bring the drive to a standstill in a controlled manner (this only applies to the power supply voltage; battery-back the 24 V supply separately).
KCM-E	Expansion module for both applications. Expansion modules are available in two capacitance classes.

NOTE

The KCM modules can be connected to S40xM devices (SERVOSTAR 44xM, mains supply voltage 400). Information for mounting, installation and setup can be found in the KCM Instructions Manual. More information see [KDN](#).

Technical Data of KCM Modules

Type	DIM	KCM-S200	KCM-P200	KCM-E200	KCM-E400
Storage capacity	Ws	1600	2000	2000	4000
Rated supply voltage	V=	max 850 VDC			
Peak supply voltage	V=	max 950 VDC (30s in 6min)			
Power	kW	18			
Protection class		IP20			
Inception voltage	V=	evaluated	470 VDC	-	-
Dimensions (HxWxD)	mm	300 x 100 x 201			
Weight	kg	6.9	6.9	4.1	6.2



⚠ DANGER High DC voltage up to 800 V!

There is a danger of serious personal injury or death by electrical shock or electrical arcing. It can take over an hour for the modules to self-discharge.

- Switch off (disconnect) the line voltage. You must only work on the connections when the system is disconnected.
- Check the state of charge with a measuring device that is suitable for a DC voltage of up to 1,000 V.
- When measuring a voltage of over 50V between the DC+/DC- terminals or to ground, wait some minutes and measure again or discharge the modules as described in the KCM instructions manual.

Wiring example KCM Modules

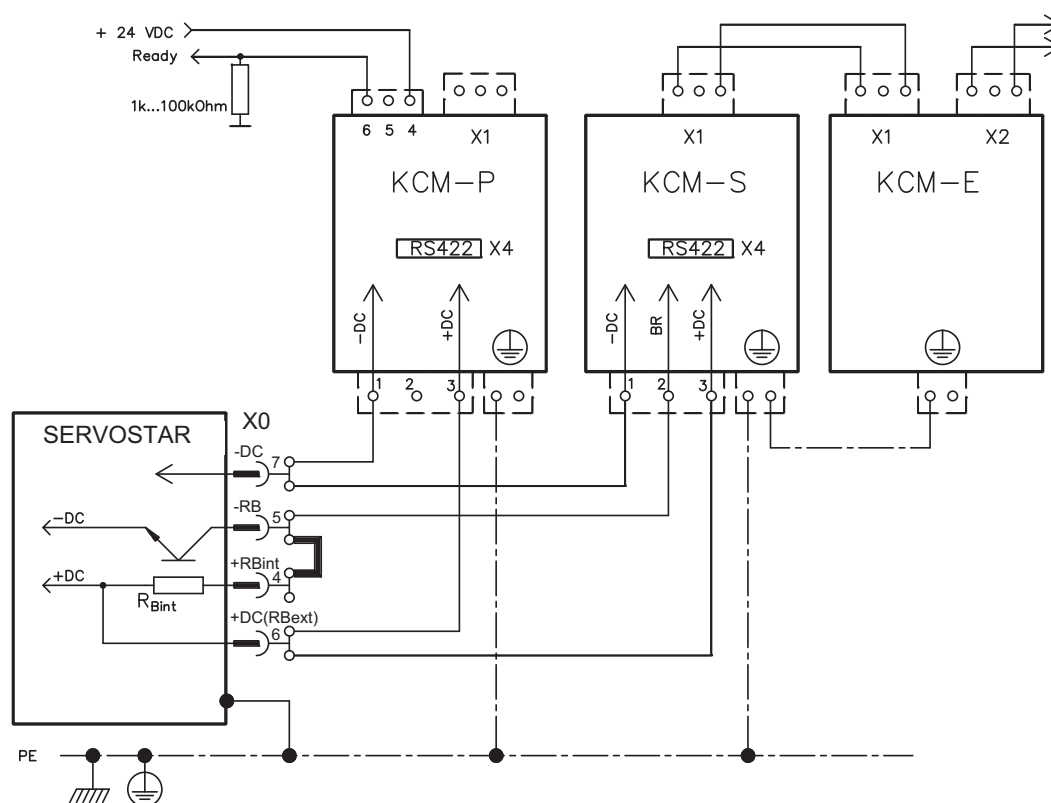
NOTICE

Maximum cable length between servo amplifier and SERVOSTAR 400 Master: 500 mm. Twist the cables +DC/-DC. Longer cable lengths require shielding (more details for EMC see [KDN](#)). Ensure that the polarity is correct; swapping round DC+/DC- will destroy the KCM modules.

KCM-S: Connect the BR connection to the SERVOSTAR 400 Master with the most frequent regenerative braking processes in the system. This SERVOSTAR 400 must have an active internal or external brake resistor. For setup, enable the SERVOSTAR 400 and operate the driving profile that causes the brake chopper to respond. The KCM-S determines the chopper threshold and begins to charge; LED flashes. The energy stored is available the next time acceleration happens.

KCM-P: The KCM-P begins the charging process at approx. 470 V DC; the LED flashes. If the power supply fails, the module provides the servo amplifier with the stored energy that is required to bring the drive to a standstill in a controlled manner (this only applies to the power supply voltage; battery-back the 24 V supply separately).

More information see [KDN](#).



8.12 Feedback

Every closed servo system will normally require at least one feedback device for sending actual values from the motor to the servo drive. Depending on the type of feedback device used, information will be fed back to the servo amplifier using digital or analog means.

SERVOSTAR 400 supports the most common types of feedback device whose functions must be assigned with the parameters

FBTYPE (screen page FEEDBACK), primary Feedback

EXTPOS (screen page POSITION), secondary Feedback

GEARMODE (screen page GEARING), secondary Feedback

in the setup software. Scaling and other settings must always be made here.

Configuration	Location	ASCII Parameter	Commu- tation	Speed control	Position- control	electr. gearing
One Feedback	motor	FBTYPE	X	X	X	
Two Feedbacks	motor	FBTYPE	X	X		
	externally	EXTPOS			X	
		GEARMODE				

For a detailed description of the ASCII parameters, please refer to the online help of the setup software.

The table below provides an overview of the supported feedback types, their corresponding parameters and a reference to the relevant connection diagram in each case. On each of these, the pin assignment shown on the encoder side relates to the Kollmorgen motors.

Primary feedback type	Connector	Wiring diagram	FBTYPE
Resolver	X5	⇒ p.56	0, 3
SinCos Encoder BISS	X2	⇒ p.57	20*
SinCos Encoder ENDAT	X2	⇒ p.58	3, 4
SinCos Encoder HIPERFACE	X2	⇒ p.58	2, 3
SinCos Encoder w/o data channel	X2	⇒ p.53	6, 7 (16*)
SinCos Encoder + Hall	X2	⇒ p.60	11*
ROD 5V + Hall	X2	⇒ p.61	12*
ROD 5V	X4	⇒ p.62	8*, 9*
Sensorless (w/o feedback)	-	-	10*

* Can only be set on the terminal screen of the setup software

** ROD means "incremental encoder AquadB".

NOTE

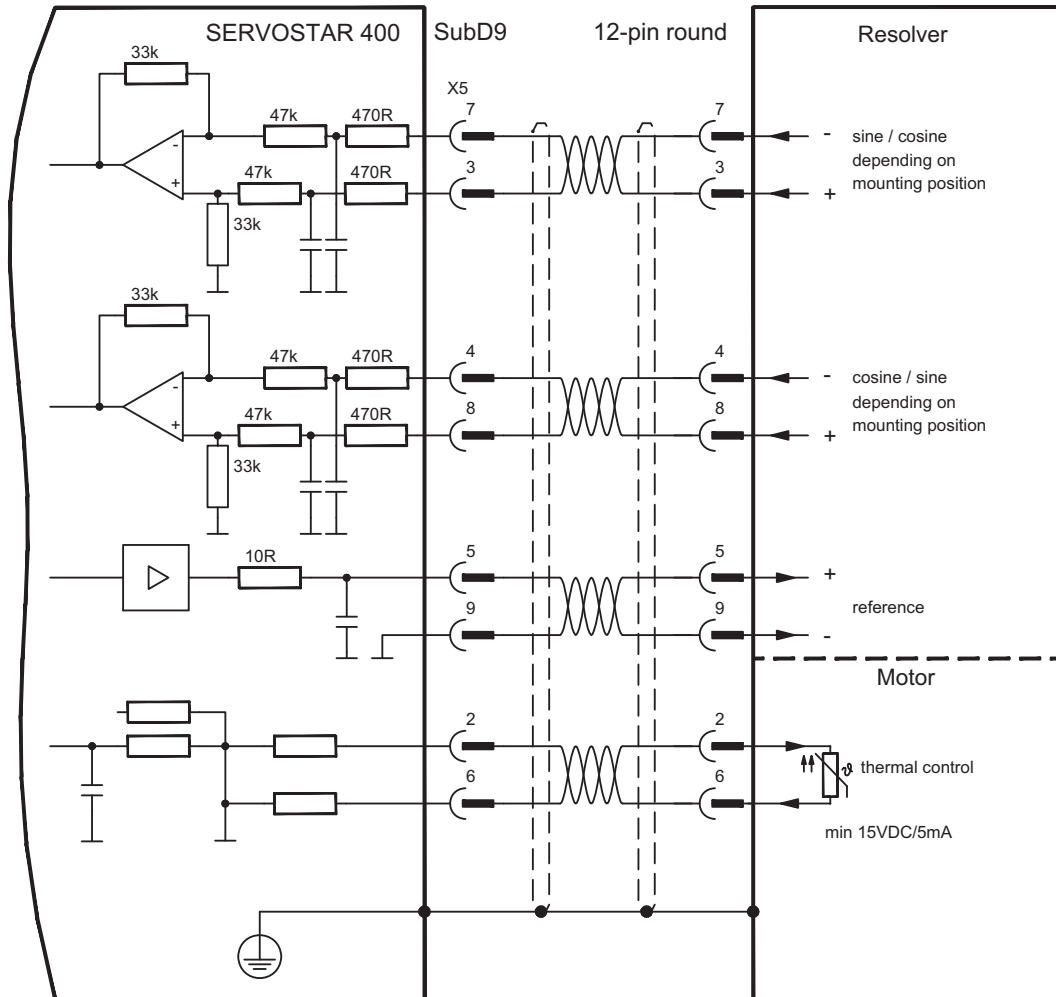
Hints for combining primary with secondary feedback systems for position control/electr. gearing can be found from page 63.

8.12.1 Resolver (X5)

Connection of a Resolver (2 to 36-poles) as a feedback system. The thermal control in the motor is connected via the resolver cable to the SERVOSTAR 400 and evaluated there.

If lead lengths of more than 25 m are planned, please consult our customer support.

FBTYPE: 0, 3



The pin assignment shown on the encoder side relates to the Kollmorgen motors.

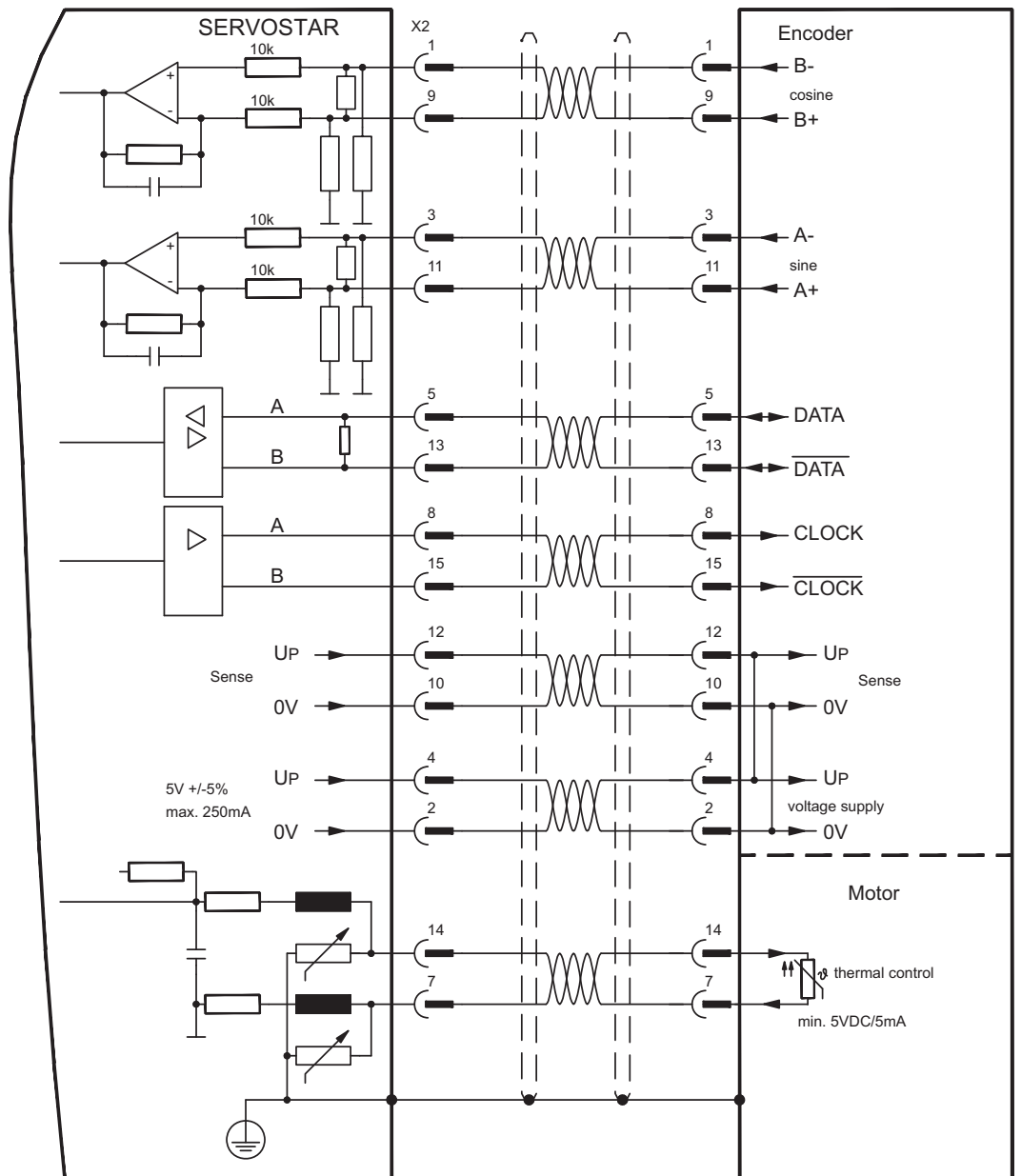
8.12.2 Sine encoder 5V with BiSS (X2)

Connection of a single- or multiturn sine-cosine encoder (5V) with BiSS interface as feedback (from firmware revision 6.68). During start-up of the servo amplifier the parameters stored in the encoder eeprom are uploaded, after that phase only the sine/cosine signals are used.

The thermal control in the motor is connected via the encoder cable to X2 and evaluated there. All signals are connected using our pre-assembled encoder connection cable.

If cable lengths of more than 50m are planned, please consult our customer service.

Frequency limit (sin, cos): 350 kHz
FBTYPE: 20



The pin assignment shown on the encoder side relates to the Kollmorgen motors.

8.12.3 Sine Encoder with EnDat 2.1 or HIPERFACE (X2)

Connection of a single-turn or multiturn sine-cosine encoder. Preferred types are the ECN1313 and EQN1325 encoders.

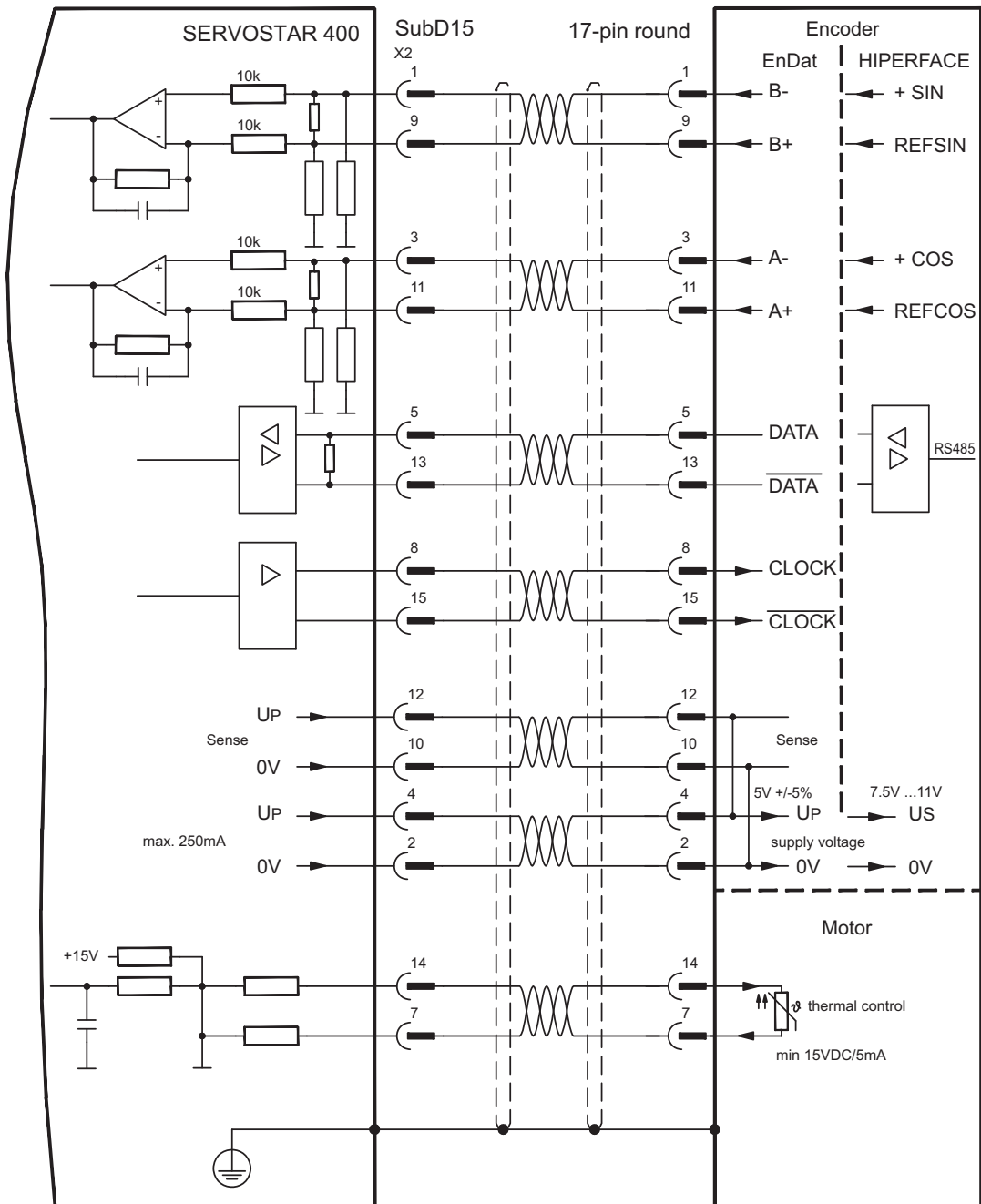
The thermal control in the motor must be connected via the encoder cable to the SERVOSTAR 400 and evaluated there. All signals are connected using our pre-assembled encoder connection cable.

If lead lengths of more than 25 m are planned, please consult our customer support.

Frequency limit (sin, cos): 350 kHz

Encoder with EnDat: FBTYPE 3, 4

Encoder with HIPERFACE: FBTYPE 2, 3



The pin assignment shown on the encoder side relates to the Kollmorgen motors.

8.12.4

Sine Encoder without data channel (X2)

Connection of a sine-cosine encoder without data channel as feedback. Every time the 24V auxiliary voltage is switched on, the amplifier needs start-up information for the position controller (parameter value MPHASE). Depending on the feedback type either wake&shake is executed or the value for MPHASE is read out of the amplifier's EEPROM.

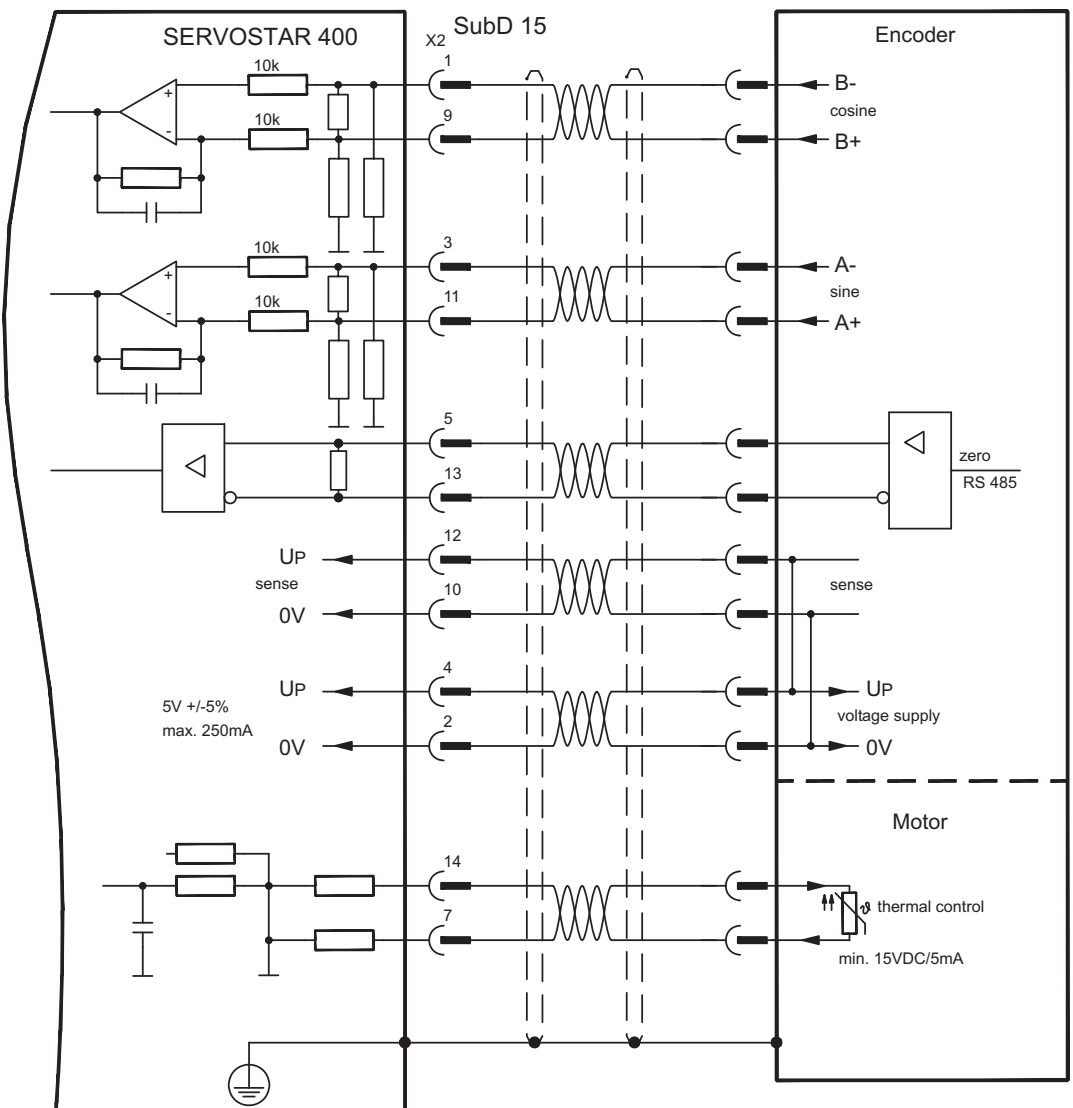


! WARNING Vertical load can fall!

With vertical load the load could fall during wake&shake, because the brake is not active and torque is not sufficient to hold the load. Don't use this feedback type with vertical load (hanging load).

The thermal control in the motor must be connected via the encoder cable to X2 and evaluated there. If lead lengths of more than 50 m are planned, please consult our customer service. Frequency limit (sin, cos): 350 kHz

Encoder type	FBTYP	Remarks
SinCos 5V	6	MPHASE from EEPROM
SinCos 5V	7	MPHASE with wake & shake
Resolver+SinCos5V	16	Commutation with resolver, Speed&Position with Encoder



8.12.5 Incremental or sine encoder with hall sensors (X2)

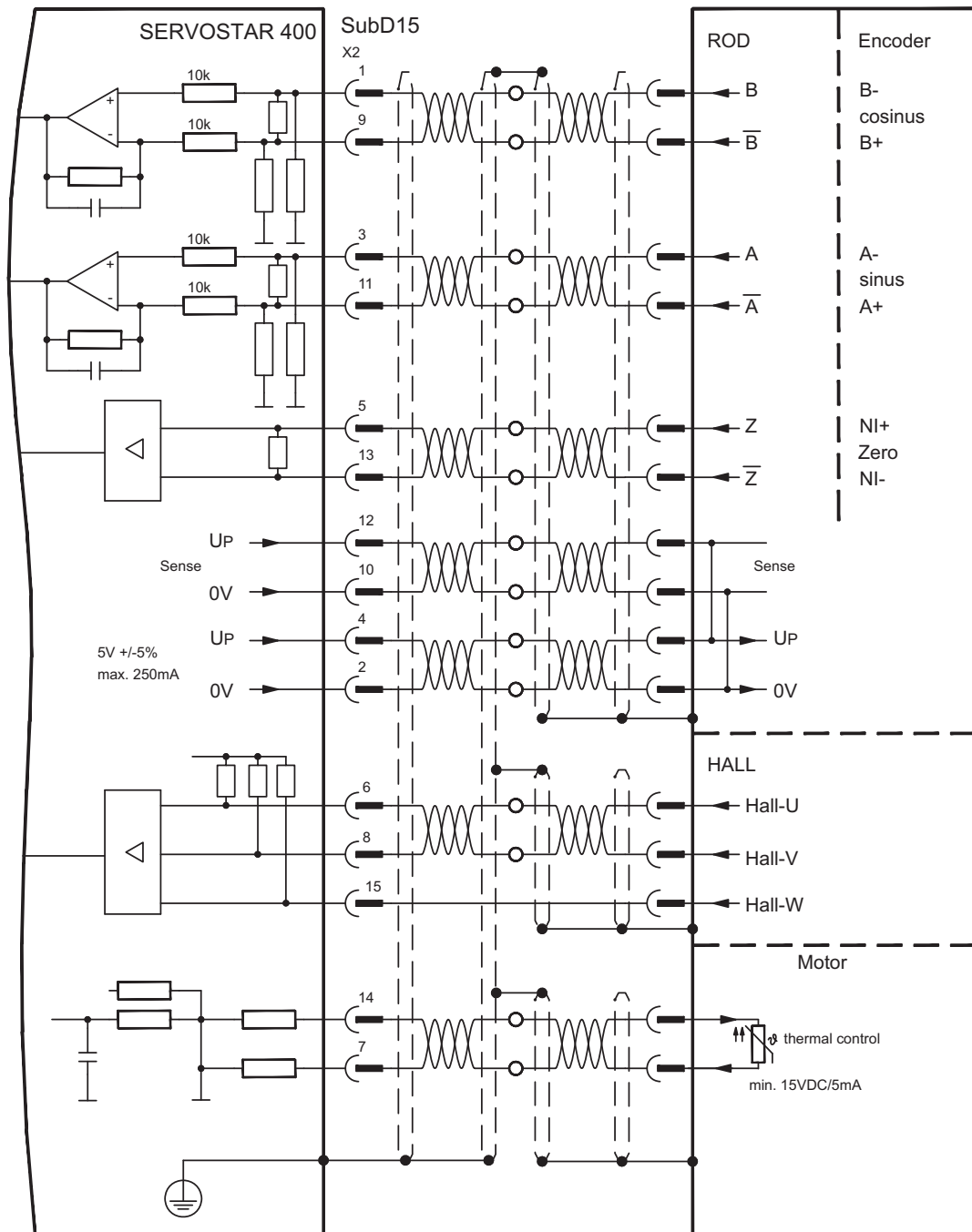
Feedback devices (incremental or sine-cosine), which don't deliver an absolute information for commutation, can be used as complete feedback system combined with an additional Hall encoder. All signals are connected to X2.

If cable lengths of more than 25 m are planned, please consult our customer service.

Frequency limit (A, B): 350 kHz

ROD (incremental encoder) with Hall: FBTYPE 12

Encoder with Hall: FBTYPE 11



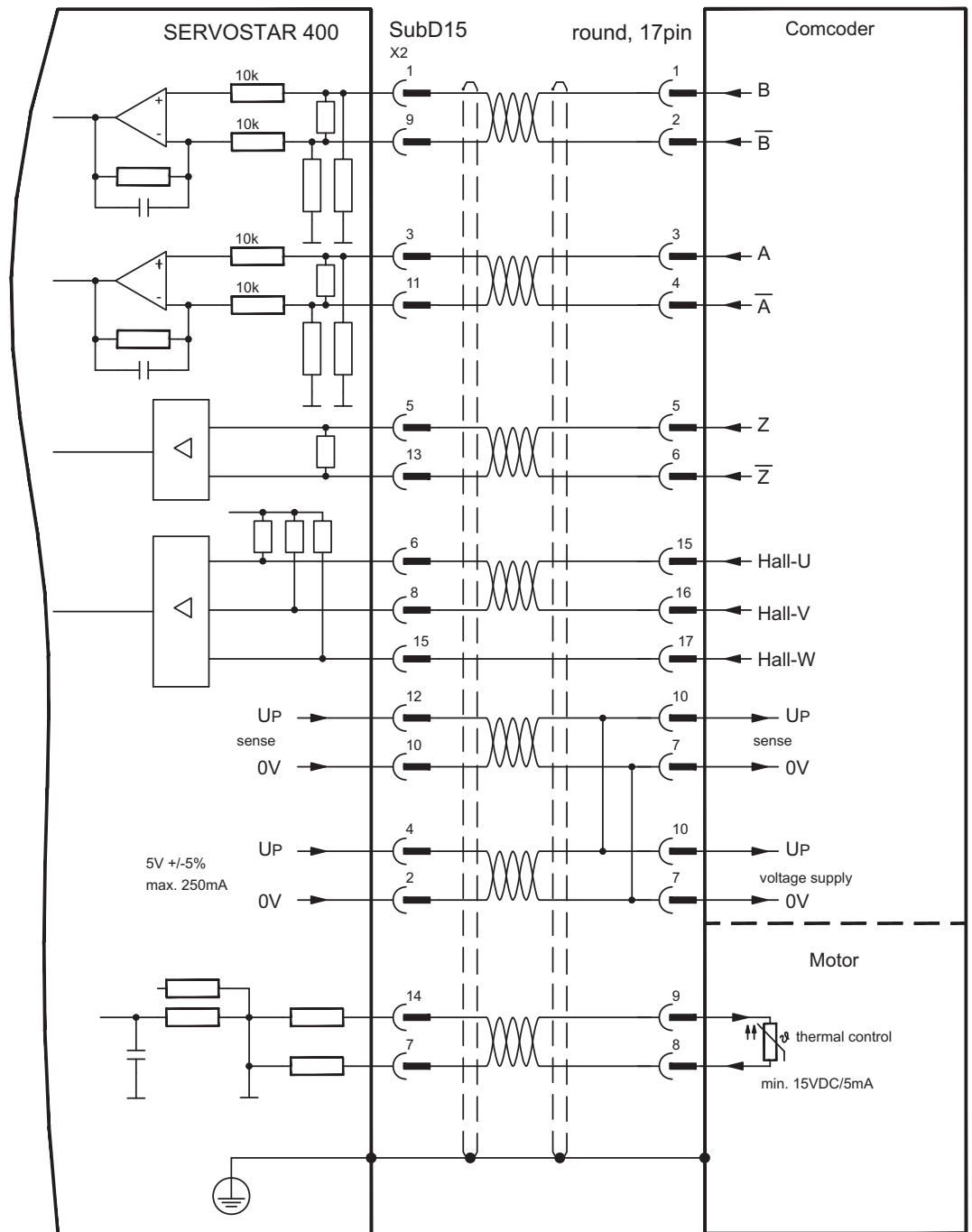
8.12.6 ComCoder (X2)

Connection of a ComCoder as feedback unit. For the commutation hall sensors are used and for the resolution an incremental encoder.

The thermal control in the motor is connected via the ComCoder cable to X2 and evaluated there.

If cable lengths of more than 25 m are planned, please consult our customer service.

Frequency limit (A,B): 350 kHz, FBTYPE 12



The pin assignment shown on the encoder side relates to the Kollmorgen motors.

8.12.7 Incremental Encoder (X4)

An incremental encoder can be used as standard motor feedback.

Every time the 24V auxiliary voltage is switched on, the amplifier needs start-up information for the position controller (parameter value MPHASE). Depending on the feedback type either wake&shake is executed or the value for MPHASE is read out of the amplifier's EEPROM.



WARNING Vertical load can fall!

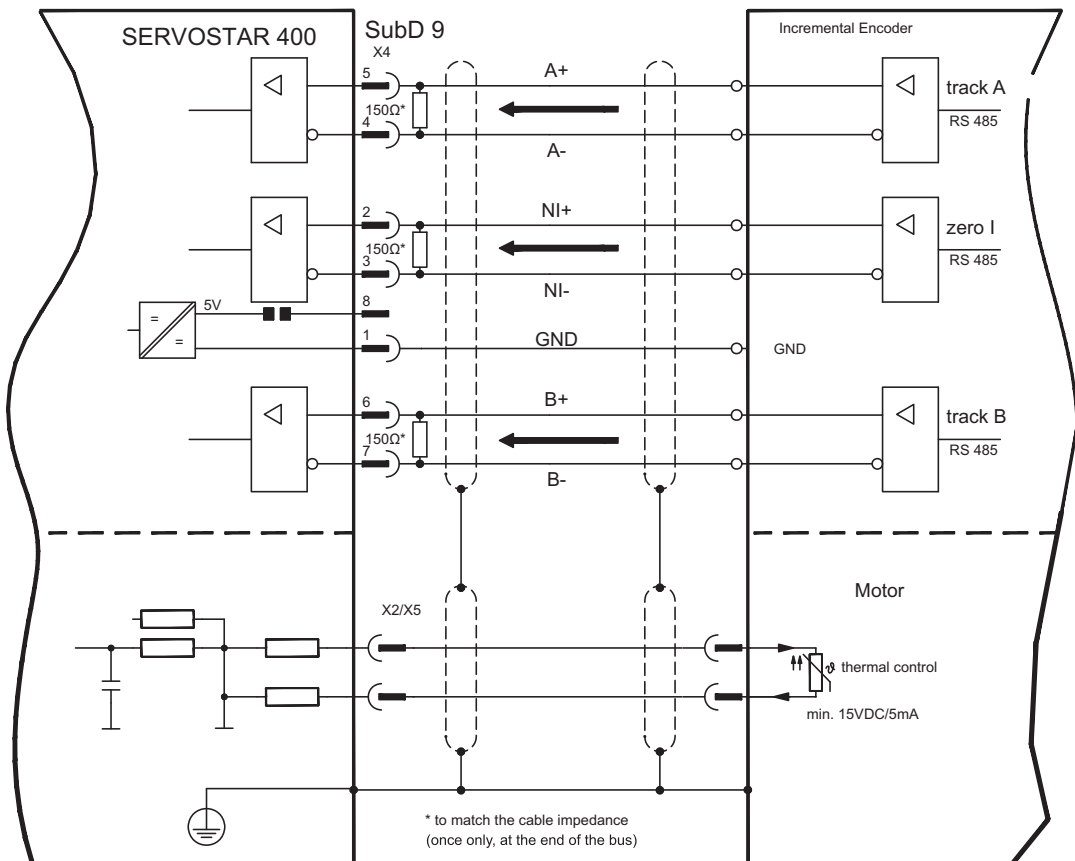
With vertical load the load could fall during wake&shake, because the brake is not active and torque is not sufficient to hold the load. Don't use this feedback type with vertical load (hanging load).

The thermal control in the motor must be connected to X2 (see p.58) or X5 (see p.56).

If lead lengths of more than 50 m are planned and for questions concerning the power supply of the encoder, please consult our customer service.

Frequency limit (A, B): 1.5 MHz

Encoder type	FBTYP	Remarks
Incremental encoder 5V	9	MPHASE from EEPROM
Incremental encoder 5V	8	MPHASE with wake & shake



8.13 Electronic Gearing, Master-slave operation

In the case of the "electronic gearing" functionality (see setup software and description of GEARMODE parameter), the servo amplifier is controlled by a secondary feedback device as a slave.

It is possible to set up master/slave systems, use an external encoder as a setpoint encoder or connect the amplifier to a stepper motor control.

The amplifier is parameterized using the setup software (electronic gearing).

Primary Feedback: adjust on screen page "Feedback" (FBTYPE)

Secondary Feedback: adjust on screen pages "Position" and "Gearing" (EXTPOS, GEARMODE)

Master-/Slave adjustment

Master: adjust encoder emulation on screen page "ROD/SSI/Encoder" (ENCMODE)

Slave: adjust on screen pages "Position" and "Gearing" (EXTPOS, GEARMODE)

The following types of external encoder can be used:

secondary Feedback type	Connector	Wiring diagram	GEARMODE
Incremental Encoder 5V	X4	⇒ p.64	3, 5*, 13*, 15*
Incremental Encoder 24V	X3	⇒ p.64	0, 2*, 10*, 12*
Sine/Cosine Encoder	X2	⇒ p.65	6, 8*, 9*, 16*
SSI Encoder	X4	⇒ p.66	7*, 17*
Pulse and Direction 5V	X4	⇒ p.67	4, 14*
Pulse and Direction 24V	X3	⇒ p.67	1, 11*

* adjustable via terminal screen of the setup software

The following table shows the allowed feedback combinations:

Primary Feedback	Secondary Feedback for Position control/Following			
	Sine Encoder (X2)	Increm. Encoder 5V/24V (X4/X3)	Pulse&Direct. 5V/24V (X4/X3)	SSI Encoder (X4)
Resolver (X5) FBTYPE= 0	EXTPOS= 1,2,3 GEARMODE= 6,8,9,16 FPGA= 0 ENCMODE= 0	EXTPOS= 1,2,3 GEARMODE= 0,2,3,5,10,12,13,15 FPGA= 0 ENCMODE= 0	EXTPOS= 1,2,3 GEARMODE= 1,4,11,14 FPGA= 0 ENCMODE= 0	EXTPOS= 1,2,3 GEARMODE= 7,17 FPGA= 1 ENCMODE= 2
Sine Encoder (X2) FBTYPE= 2,4,6,7,20	-	EXTPOS= 1,2,3 GEARMODE= 0,2,3,5,10,12,13,15 FPGA= 1 ENCMODE= 0	EXTPOS= 1,2,3 GEARMODE= 1,4,11,14 FPGA= 1 ENCMODE= 0	EXTPOS= 1,2,3 GEARMODE= 7,17 FPGA= 1 ENCMODE= 2
Encoder & Hall (X2) FBTYPE= 11,12	-	EXTPOS= 1,2,3 GEARMODE= 0,2,3,5,10,12,13,15 FPGA= 1 ENCMODE= 0	EXTPOS= 1,2,3 GEARMODE= 1,4,11,14 FPGA= 1 ENCMODE= 0	-
ROD Encoder (X4) FBTYPE= 8,9	-	-	-	-
Sensorless FBTYPE= 10	-	EXTPOS= 1,2,3 GEARMODE= 0,2,3,5,10,12,13,15 FPGA= 0 ENCMODE= 0	EXTPOS= 1,2,3 GEARMODE= 1,4,11,14 FPGA= 0 ENCMODE= 0	EXTPOS= 1,2,3 GEARMODE= 7,17 FPGA= 1 ENCMODE= 2

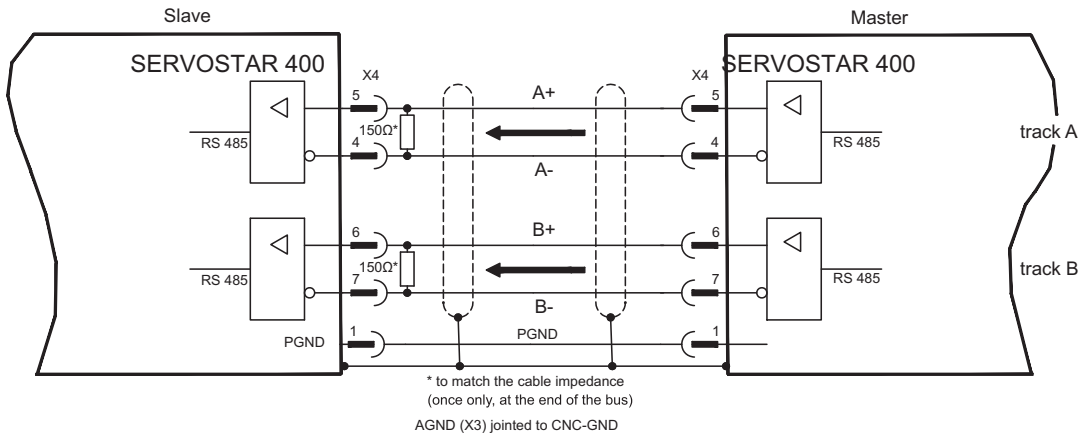
8.13.1 Connection to a SERVOSTAR 400 master, 5 V signal level (X4)

You can link several SERVOSTAR 400 amplifiers in master-slave operation (encoder follower).

Up to 16 slave amplifiers can be controlled by the master via the encoder output. The SubD connector X4 is used for this purpose.

Frequency limit: 1 MHz, transition speed $t_v \leq 0.1 \mu\text{sec}$

NOTE AGND (terminal X3/1) must be connected to the ground of the control system!

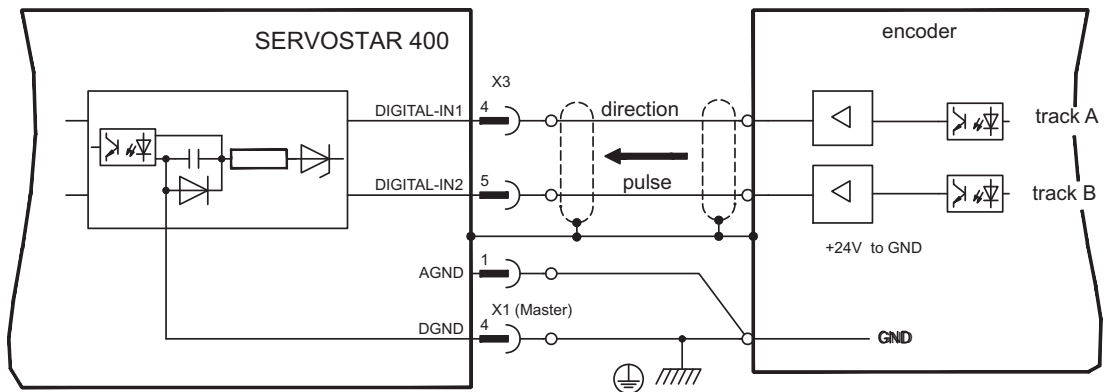


8.13.2 Connection to incremental encoder master with 24 V signal level (X3)

You can use this interface to set up the SERVOSTAR 400 as a slave following an encoder with a 24V signal level (master-slave operation). This application uses the digital inputs DIGITAL-IN 1 and 2 on connector X3.

Frequency limit: 100 kHz, transition speed $t_v \leq 0.1 \mu\text{sec}$

NOTE AGND (terminal X3/1) must be connected to the ground of the control system!



8.13.3 Connection to a sine-cosine encoder master (X2)

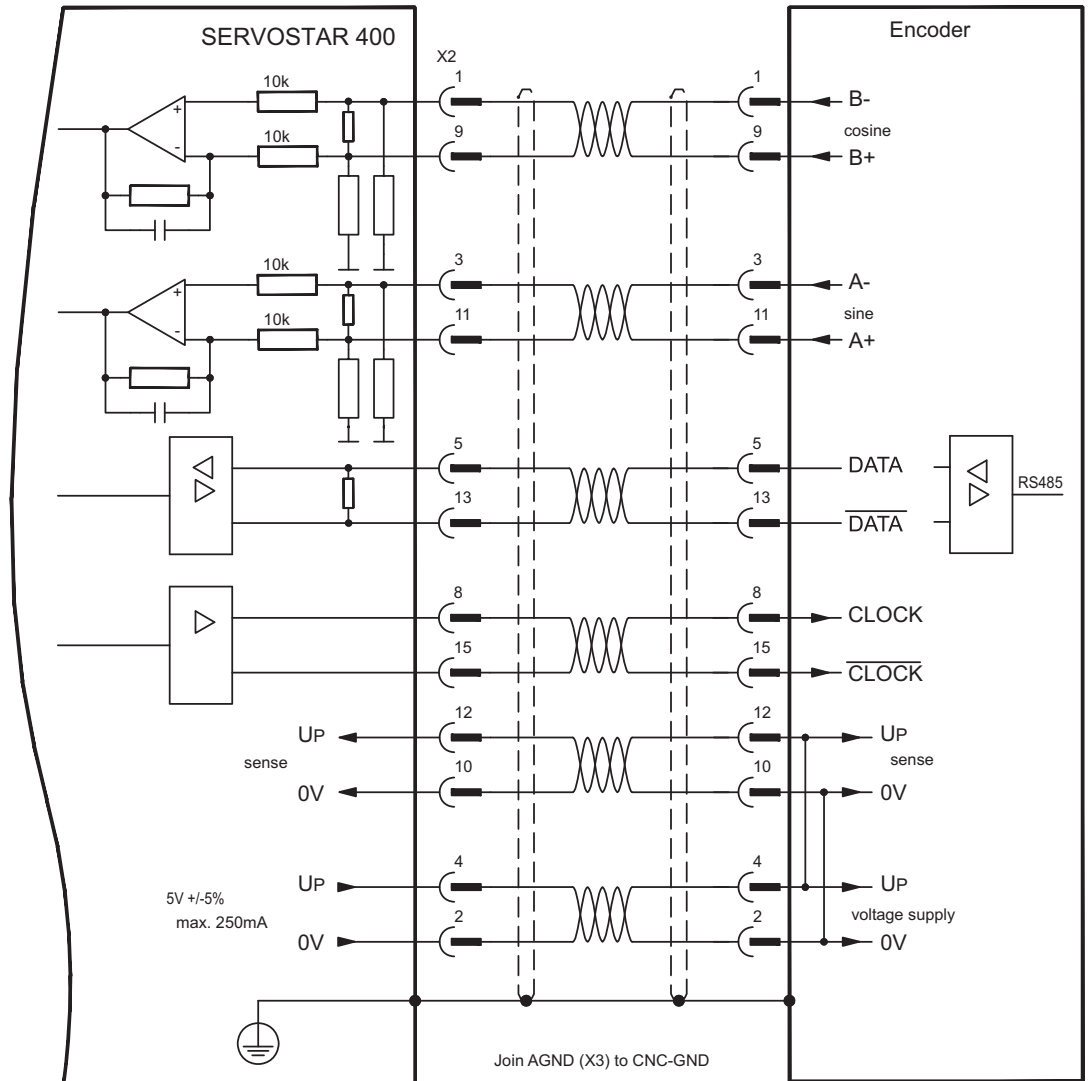
You can set up the SERVOSTAR 400 as a slave following a sine/cosine encoder (master-slave operation). This application uses the SubD connector X2.

If cable lengths of more than 50m are planned, please consult our customer service.

Frequency limit (sin, cos): 350 kHz

NOTE

AGND (terminal X3/1) must be connected to the ground of the control system!

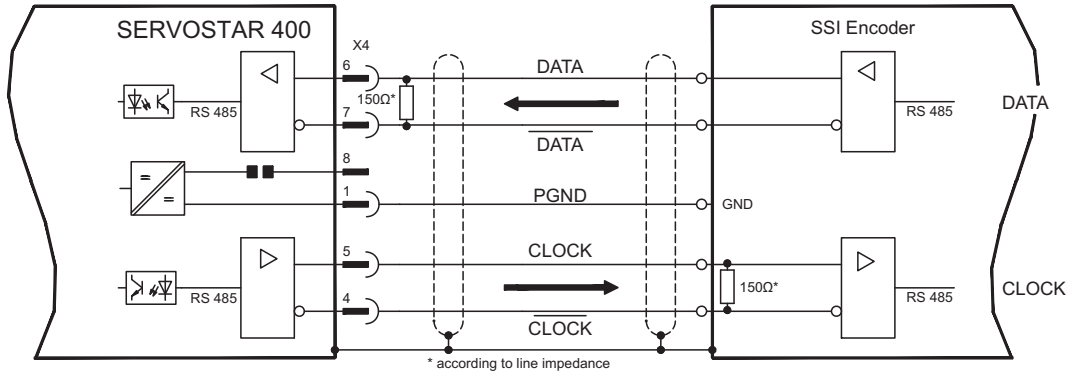


8.13.4 Connection to a SSI encoder (X4)

You can set up the SERVOSTAR 400 as a slave following a synchronous serial absolute-encoder (master-slave operation). This application uses the SubD connector X4. If lead lengths of more than 50 m are planned and for questions concerning the power supply of the encoder, please consult our customer service.

Frequency limit: 1 MHz

NOTE AGND (terminal X3/1) must be connected to the ground of the control system!

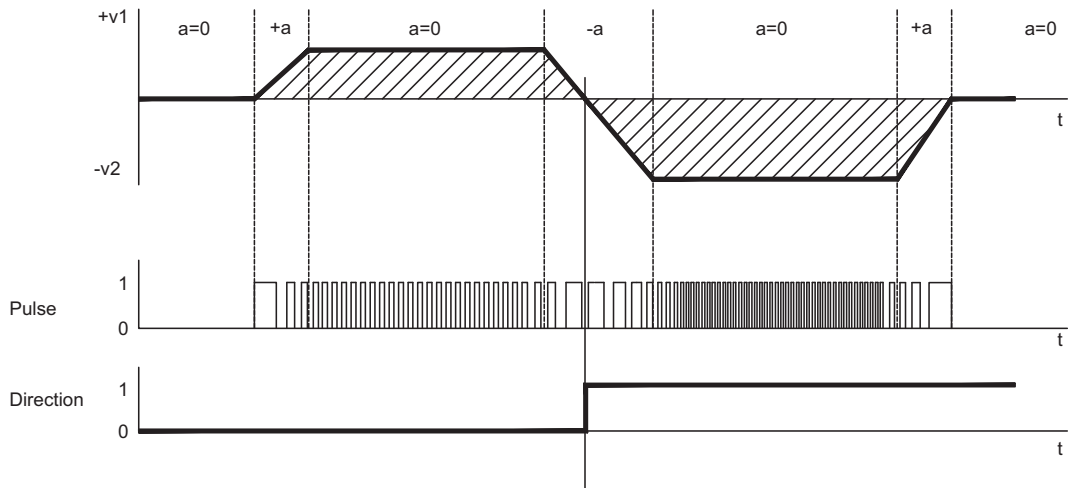


8.13.5 Connection to stepper motor controllers (pulse and direction)

You can connect the servo amplifier to a third-party stepper-motor controller. The parameters for the servo amplifier are set up with the aid of the setup software (electrical gearing). The number of steps can be adjusted, so that the servo amplifier can be adjusted to the pulse/direction signals of any stepper-motor controller. Various monitoring signals can be output.

NOTE Observe the limit frequency! Using an A quad B encoder provides better EMC noise immunity.

Speed profile and signal diagram



Equivalences

path traversed s
velocity v
acceleration a

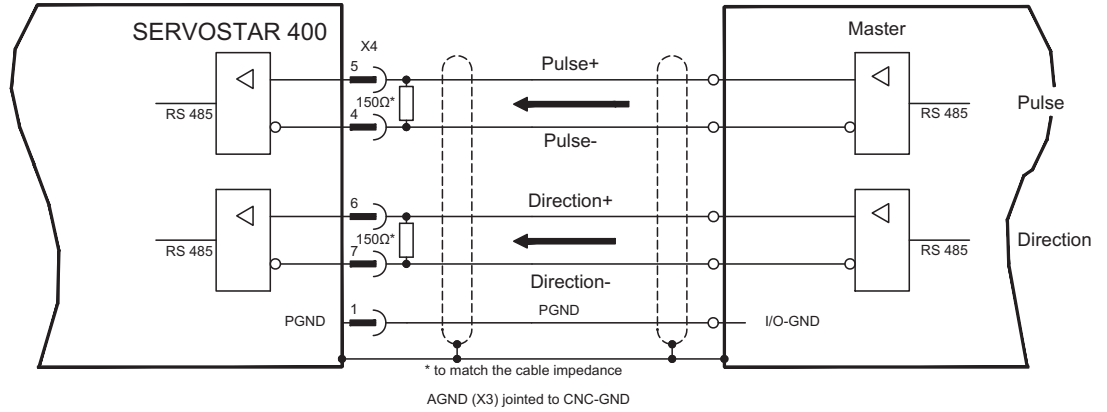
— number of pulses
— pulse frequency
— rate of change of pulse frequency

8.13.5.1 Step/Direction with 5 V signal level (X4)

Connection of the servo amplifier to a stepper motor control with a 5 V signal level. The SubD connector X4 is used for this purpose.
 Frequency limit: 1 MHz

NOTE

AGND (terminal X3/1) must be connected to the ground of the control system!

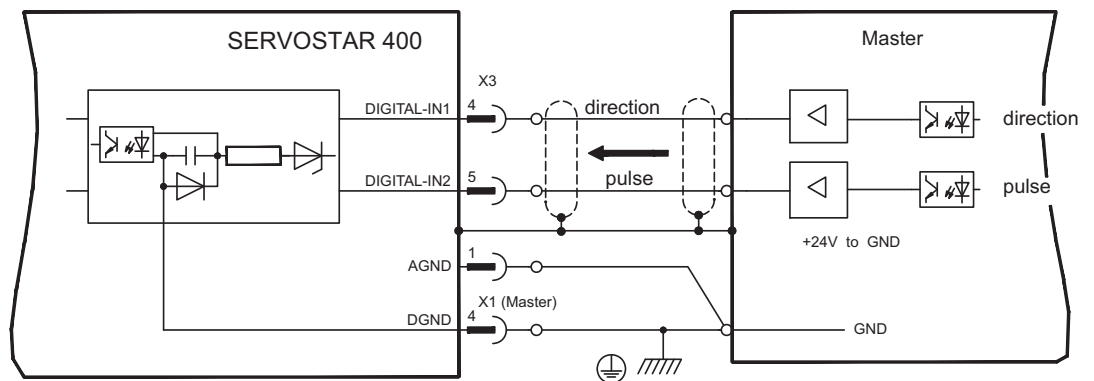


8.13.5.2 Step/Direction with 24 V signal level (X3)

Connection of the servo amplifier to a stepper motor control with a 24 V signal level. The digital inputs DIGITAL-IN 1 and 2 on connector X3 are used for this purpose.
 Frequency limit: 100 kHz

NOTE

AGND (terminal X3/1) must be connected to the ground of the control system!



8.14 Encoder emulations

8.14.1 Incremental encoder output - A quad B (X4)

The incremental-encoder interface is part of the package supplied. Select the encoder function ROD (screen page “Encoder”, funktion ENCMODE). In the servo amplifier, the position of the motor shaft is calculated from the cyclic-absolute signals of the resolver or encoder.

Incremental-encoder compatible pulses are generated from this information. Pulses are output as two signals, A and B, with 90° phase difference and a zero pulse. The resolution (lines before quadrature) can be changed with the RESOLUTION parameter:

Encoder function	Feedback system	Resolution	Zero position
ROD (1)	Resolver	256...4096	one per revolution (only if A=B=1)
	Encoder	256...524288 (2 ⁸ ... 2 ¹⁹)	one per revolution (only if A=B=1)
ROD interpolation (3)	Encoder	2 ² ...2 ⁷ TTL lines per sine line	analog pass through X2 to X4

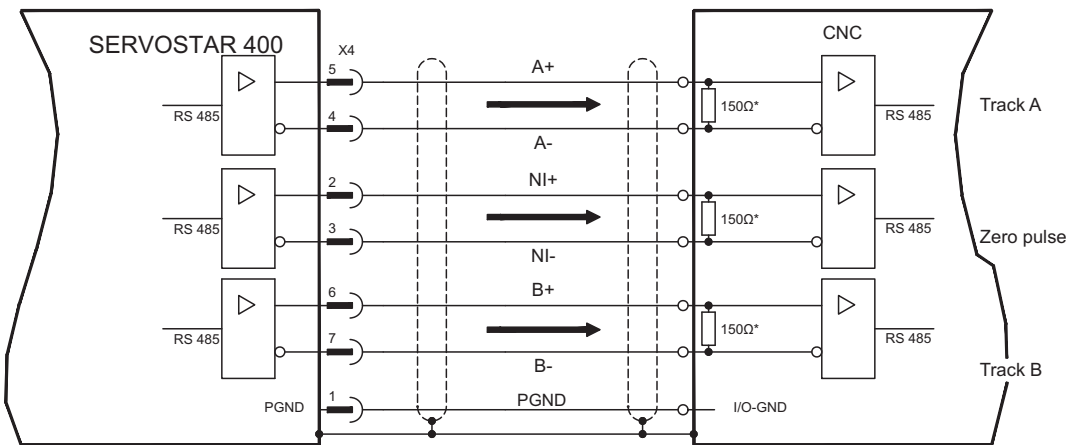
You can also adjust and store the position of the zero pulse within one mechanical turn (parameter NI-OFFSET). The ground reference for the interface is PGND.

NOTE

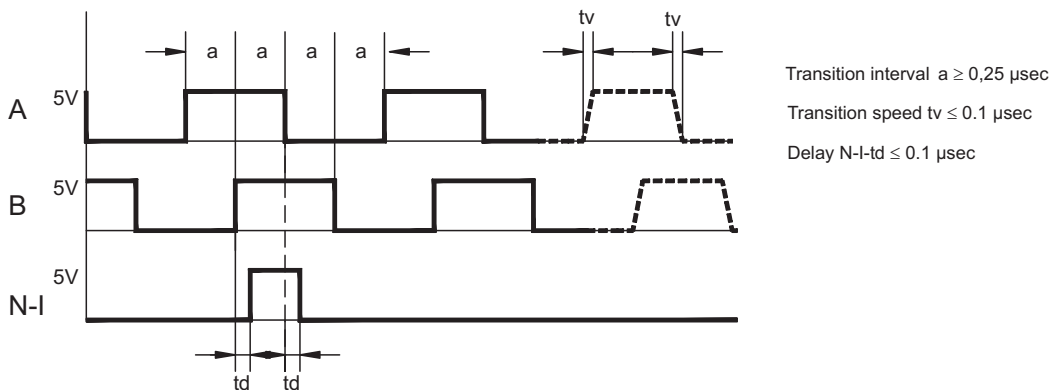
PGND must always be connected to the control ground. The max. admissible cable length is 10 m.

Connections and signal description for the incremental-encoder interface :

The count direction is UP when the motor shaft is rotating clockwise (looking at the end of the motor shaft).



* to match the cable impedance
AGND (X3) joined to CNC-GND



Transition interval $a \geq 0,25 \mu\text{sec}$
 Transition speed $tv \leq 0.1 \mu\text{sec}$
 Delay N-I- $td \leq 0.1 \mu\text{sec}$

8.14.2 SSI output (X4)

The SSI interface (synchronous serial absolute-encoder emulation) is part of the package supplied. Select encoder function ROD ("Encoder" screen page).

The servo amplifier calculates the motor shaft position from the cyclic-absolute signals of the resolver or encoder. From this information a SSI date (after Stegmann patent specification DE 3445617C2) is provided.

28 bits are transferred. The 12 leading data bits contains the number of revolutions. The following max. 16 bits contain the resolution and are not variable.

The following table shows the allocation of the SSI date:

Revolution												Resolution															
11	10	9	8	7	6	5	4	3	2	1	0	15	14	13	12	11	10	9	8	7	6	5	4	3	2	1	0

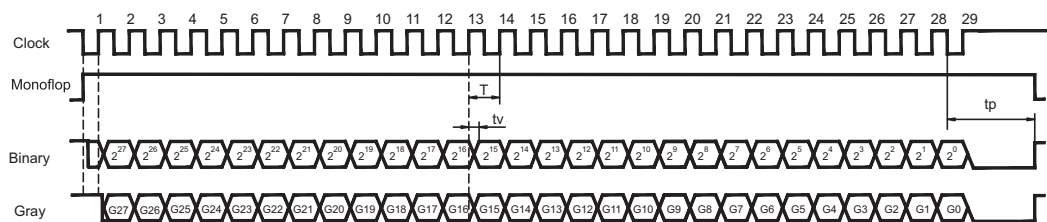
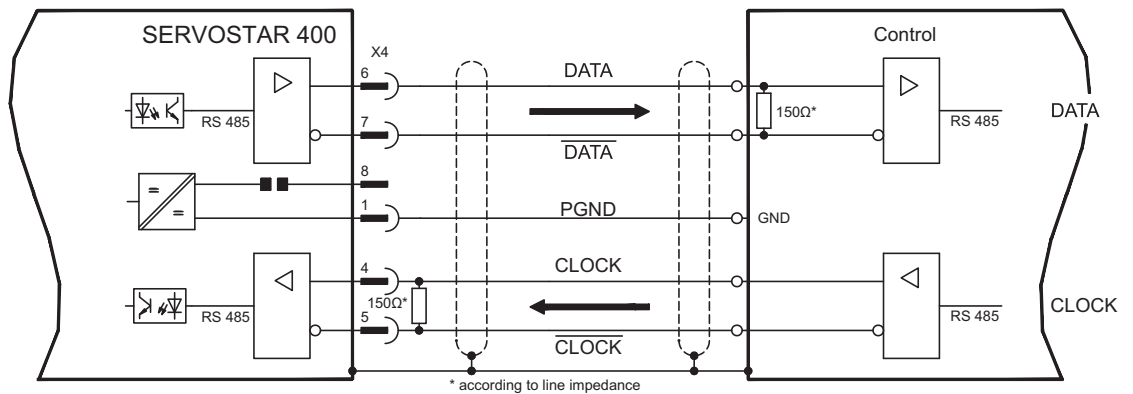
The signal sequence can be output in **Gray** code or in **Binary** (standard) code (parameter SSI-CODE). The servo amplifier can be adjusted to the clock frequency of your SSI-evaluation through the SSI-TIMEOUT parameter (cycle time 1.3 μs or 10 μs).

NOTE

The ground reference for the interface (supplied by an internal voltage) is PGND. PGND must always be connected to the control ground.

Connection and signals for the SSI interface :

The count direction is UP when the motor shaft is rotating clockwise (looking at the end of the motor shaft).



Switch over time Data $t_v \leq 300\text{nsec}$
 Period $T = 600\text{ ns}$
 Time Out $t_p = 1.3\mu\text{s}/10\mu\text{s}$ (SSITOUT)

Output $\Delta U \geq 2\text{V}/20\text{mA}$
 Input $\Delta U \geq 0.3\text{V}$

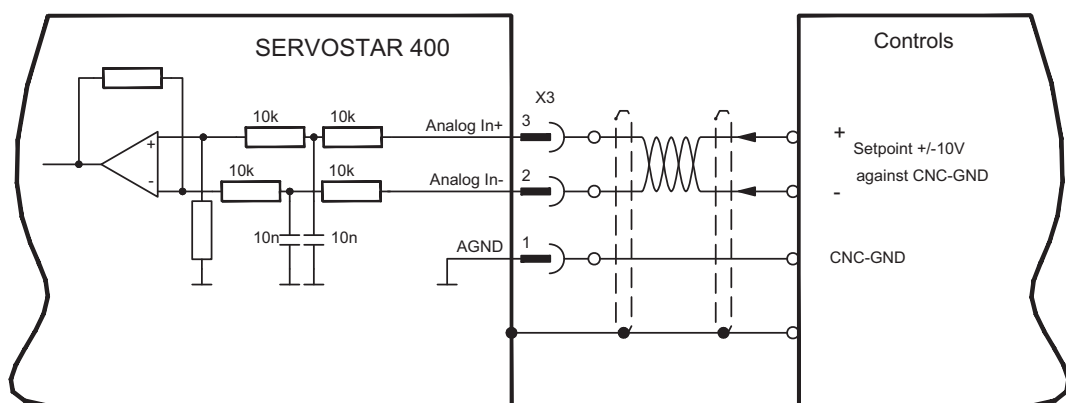
8.15 Digital and analog inputs and outputs

8.15.1 Analog input (X3)

The servo amplifier has a **programmable** input for analog setpoints. AGND (X3/1) must always be joined to the CNC-GND of the controls to provide a ground reference.

Technical data

- Input voltage max. ± 10 V
- Resolution 1.25 mV
- Ground reference AGND, terminal X3/1
- Input resistance 20 k Ω
- Common mode voltage range for both inputs ± 10 V supplementary
- Update rate: 62.5 μ s



Input Analog-IN (terminals X3/2-3)

Input voltage max. ± 10 V, 14-bit resolution, scalable
Standard setting: Speed Setpoint

Fixing the direction of rotation

Standard setting: clockwise rotation of the motor shaft (looking at shaft end)
with positive voltage on terminal X3/3 (+) against X3/2 (-)

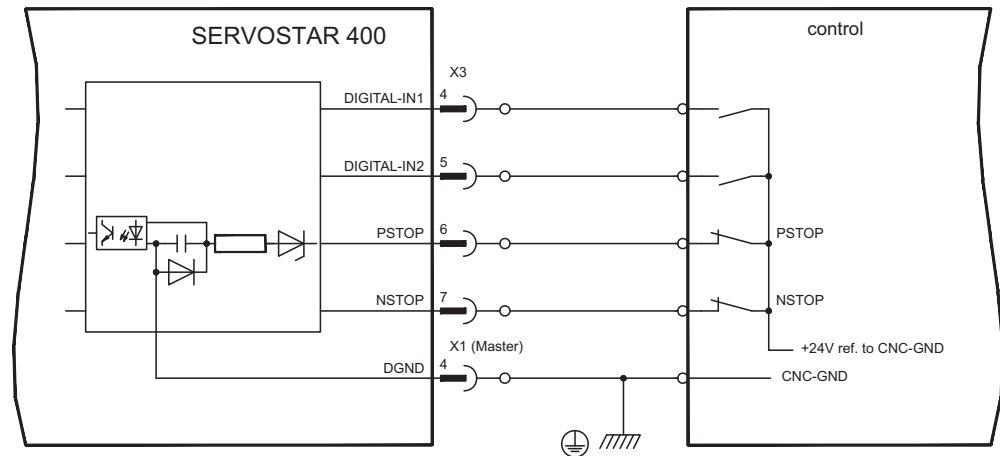
To reverse the direction of rotation you can swap the connections to terminals X3/2-3 or change the *DIRECTION* parameter in the *SPEED* screen.

8.15.2 Digital inputs (X3)

All digital inputs are **electrically isolated** through optocouplers.

Technical data

- Reference ground is **digital-GND** (DGND, terminal X1/4,5 on the master)
- The logic is dimensioned for +24 V / 7 mA (**PLC-compatible**)
- H-level from +12...36 V / 7 mA, L-level from 0...7 V / 0 mA
- Update rate: Software: 250 μ s / Hardware: 2 μ s



You can use the digital inputs PSTOP / NSTOP / DIGITAL-IN1 and DIGITAL-IN2 to initiate pre-programmed functions that are stored in the servo amplifier.

You will find a list of the pre-programmed functions in the Online Help.

If an input has to be re-assigned to a pre-programmed function, then the data set must be stored in the EEPROM of the servo amplifier, and the 24 V auxiliary supply for the servo amplifier must be switched off and then on again (to reset the amplifier software).

Limit-switches PSTOP / NSTOP

Terminals X3/6 and X3/7 are used to connect limit switches. They are deactivated upon delivery. If these inputs are not needed for the connection of limit switches, then they can be used for other input functions.

Limit-switch positive/negative (**PSTOP / NSTOP**, terminals X3/6 and X3/7), high level in normal operation (fail-safe for cable break). A low signal (open) inhibits the corresponding direction of rotation.

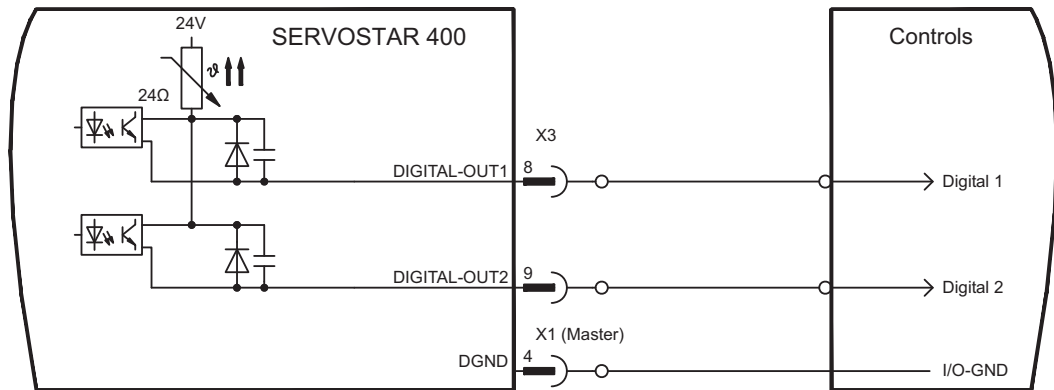
DIGITAL-IN 1 / DIGITAL-IN 2

You can link the digital inputs at terminals X3/4 (DIGITAL-IN 1) and X3/5 (DIGITAL-IN2) with a pre-programmed function.

8.15.3 Digital outputs (X3)

Technical characteristics

- Ground reference is Digital-GND (DGND, terminal X1/4,5 on the master)
- Alle digital outputs are floating
- DIGITAL-OUT1 and 2 : Open-collector, max. 30 V DC, 10 mA
- Update rate: 250 μ s



Programmable digital outputs DIGITAL-OUT 1 / 2:

You can use the digital outputs DIGITAL-OUT1 (terminal X3/8) and DIGITAL-OUT2 (terminal X3/9) to output messages from pre-programmed functions that are stored in the servo amplifier.

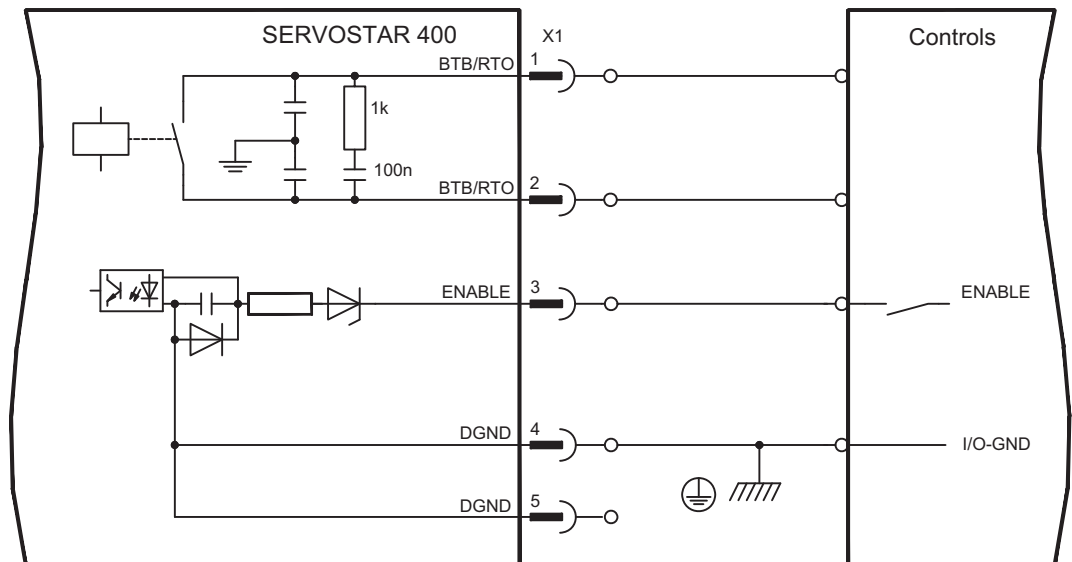
A list of the pre-programmed functions can be found in the Online Help.

If an input is freshly assigned to a pre-programmed function, then the data set must be stored in the EEPROM of the servo amplifier, and the 24 V auxiliary supply of the servo amplifier must be switched off and on again (to reset the amplifier software).

8.15.4 Digital I/O on the Master (X1)

Technical characteristics

- Ground reference is **Digital-GND** (DGND, terminal X1/4,5)
- The logic is dimensioned for +24 V / 7 mA (**PLC-compatible**)
- H-level from +12...36 V / 7 mA, L-level from 0...7 V / 0 mA
BTB/RTO: Relay output, max. 30 V DC or 42 V AC, 0.5 A



ENABLE input

The output stage of the servo amplifier is activated by the enable signal (terminal X1/3, input 24V, **active-high**).

In the inhibited state (low signal) the motor which is attached does not have any torque.

Ready-to-operate contact BTB/RTO

Operational readiness (terminals X1/1 and X1/2) is signalled via a **floating** relay contact. The contact is **closed** when all servo amplifiers in the system are ready for operation. This signal is **not** influenced by the enable signal, the I²t- limit, or the brake threshold.

NOTE

All faults cause the BTB/RTO contact to open and the switch-off of the output stage (if the BTB contact is open, the output stage is disabled -> no power). A list of the error messages can be found on page 96.

8.16 RS232 interface, PC connection (X8), master only

The setting of the operating, position control, and motion-block parameters, can be carried out by using the setup software on an ordinary commercial PC.

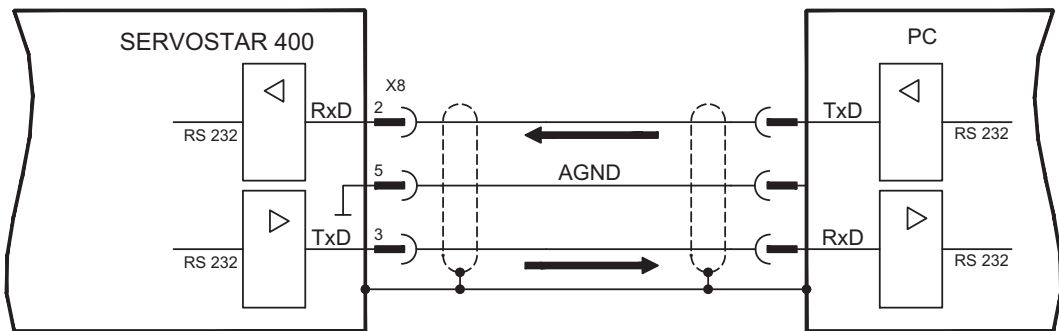
Connect the PC interface (X8) of the servo amplifier **while the supply to the equipment is switched off** via a null-modem cable to a serial interface on the PC.

NOTE

Do not use a null-modem link cable!

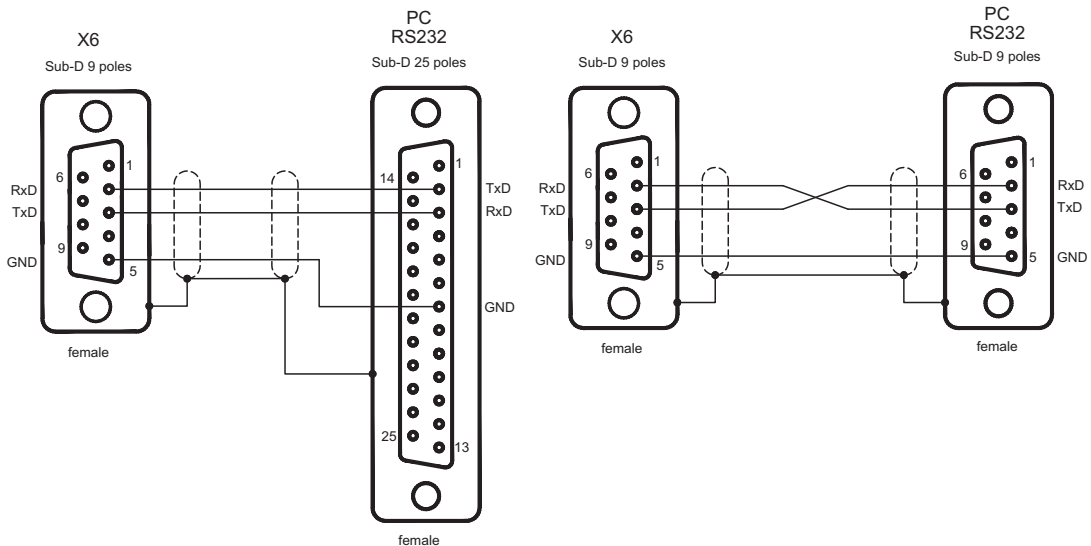
The interface has the same potential as the internal logic, and uses AGND as the ground reference.

The interface is selected and set up in the setup software.
Further notes can be found on page 80 .



Interface cable between the PC and servo amplifiers of the SERVOSTAR 400 series:

(View: front view of the built-in SubD connectors, this corresponds to looking at the solder side of the SubD connector on the cable.)



8.17 Fieldbus connection

8.17.1 CANopen interface (X7)

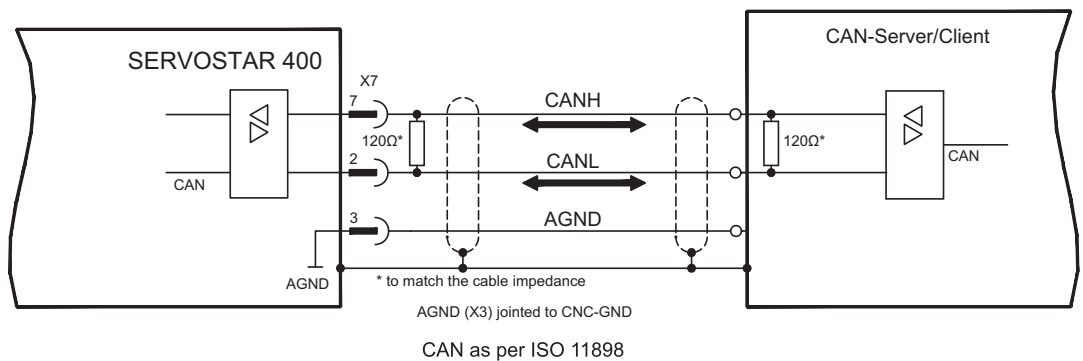
The interface for connection to the CAN bus (default: 500 kbps). The master is fitted with a CAN input. All axis modules in the system are connected to this through the internal bus. The last axis module has a CAN output, where the CAN bus either continues to other bus participants or is terminated by a termination resistor.

The integrated profile is based on the communication profile CANopen DS301 and the drive profile DS402. The following functions are available in connection with the integrated position controller: Jogging with variable speed, homing, start motion task, start direct task, digital setpoint provision, data transmission functions and many others. Detailed information can be found in the CANopen manual.

The interface is at the same potential as the internal logic, and uses AGND as the ground reference.

NOTE

AGND must be connected to the control system ground for potential equalization!



CAN bus cable

To meet ISO 11898 you should use a bus cable with a 120 Ω characteristic impedance. The maximum usable cable length for reliable communication decreases with increasing transmission speed. As a guide, you can use the following values which we have measured, but they must not be assumed to be limits:

Cable data: Characteristic impedance	100-120 Ω
Cable capacitance	max. 60 nF/km
Conductor loop resistance	159.8 Ω/km

Cable length, depending on the transmission rate

Transmission rate / kbps	max. cable length / m
1000	20
500	70
250	115

Lower cable capacitance (max. 30 nF/km) and lower lead resistance (loop: 115 Ω/km) make it possible to transmit over longer distances.

(Characteristic impedance $150 \pm 5 \Omega \Rightarrow$ terminating resistance $150 \pm 5 \Omega$).

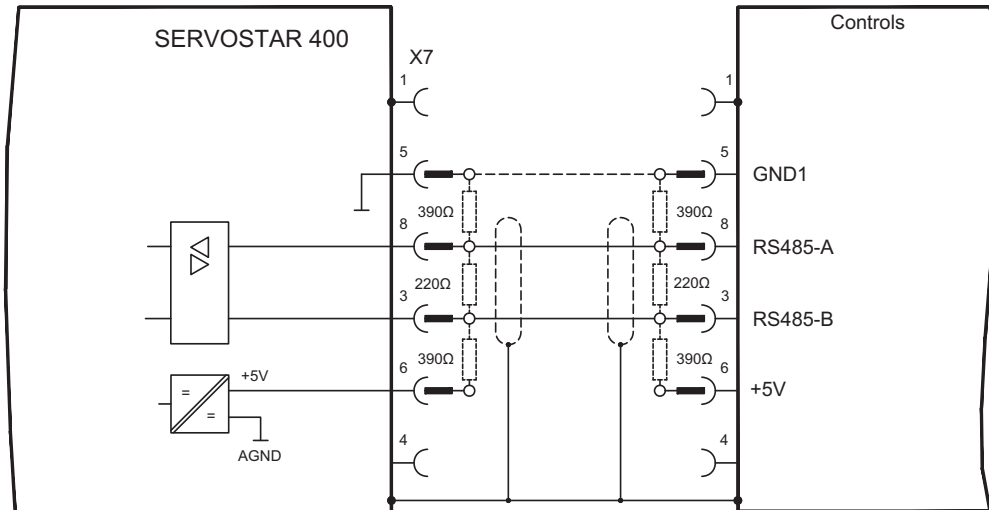
For EMC reasons, the SubD connector housing must fulfill the following conditions:

- metal or metallized housing
- provision for connecting the cable shielding within the housing, large-area connections

8.17.2 PROFIBUS interface (X7), option

This section describes the PROFIBUS interface for SERVOSTAR 400. Information on the range of functions and the software protocol can be found in the manual “Communication profile PROFIBUS-DP”.

The selection of cables, cable routing, shielding, bus connectors, bus termination and propagation times are described in the “Setup guidelines for PROFIBUS-DP/FMS” from PNO, the PROFIBUS User Organization.



NOTE Use only identical cable types from one manufacturer.

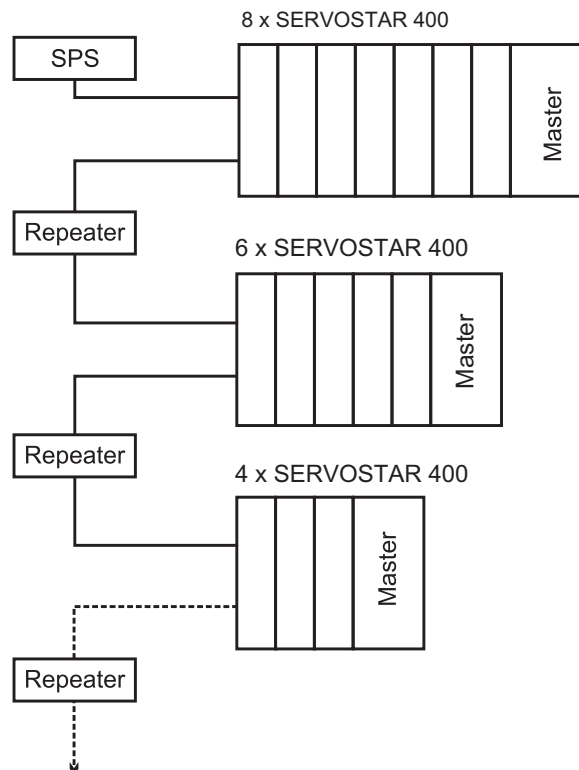
Recommendations for 1.5 MBit/s and 3 MBit/s

1.5 MBit/s	max 32 axes per segment
3 MBit/s	max 32 axes per segment

Recommendations for 6 MBit/s and 12 MBit/s

NOTE For long-term reliability of the system with 6 MBit/s and 12 MBit/s we recommend to connect the segments with repeaters and to use one SERVOSTAR 400-Master per segment only (see example).

6 MBit/s	max 8 axes(1 master) per segment
12 MBit/s	max 8 axes(1 master) per segment



8.17.3 SERCOS interface (X13/X14), option

This section describes the SERCOS interface of the SERVOSTAR 400. Information on the range of functions and the software protocol can be found in the manual "IDN Reference Guide SERCOS".

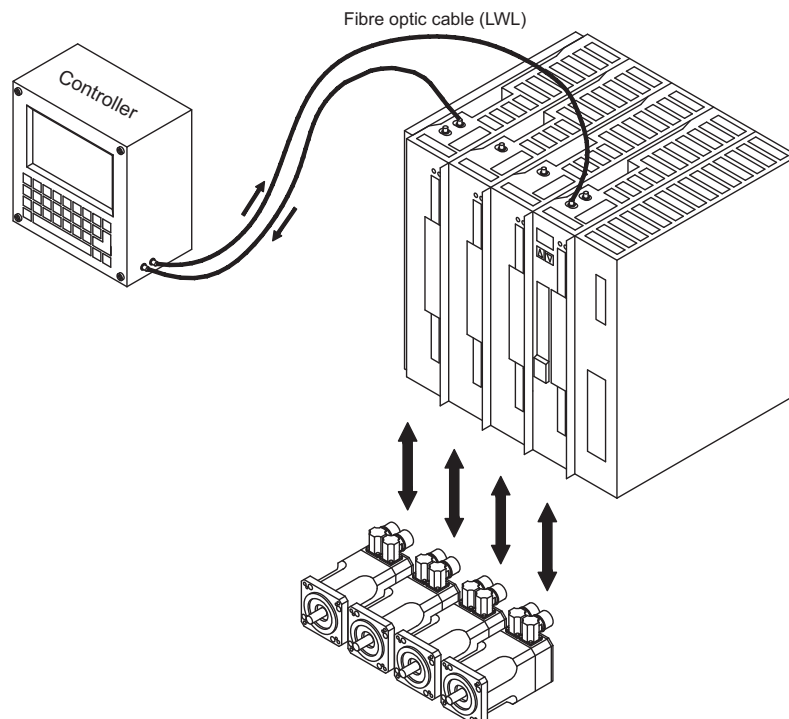
For the fiber optic cable connection, only use SERCOS components to the SERCOS Standard IEC 61491.

8.17.3.1 Light emitting diodes (LEDs)

RT	Indicates whether SERCOS telegrams are being correctly received. In the final Communication Phase 4 this LED should flicker, since cyclical telegrams are being received.
TT	Indicates that SERCOS telegrams are being transmitted. In the final Communication Phase 4 this LED should flicker, since cyclical telegrams are being transmitted. Check the stations addresses for the controls and the servo amplifier if: <ul style="list-style-type: none"> - the LED never lights up in SERCOS Phase 1 or - the axis cannot be operated, although the RT LED is lighting up cyclically.
Err	Indicates that SERCOS communication is faulty or suffering from interference. If this LED is very bright, then communication is suffering strong interference, or is non-existent. Check the SERCOS transmission speed for the controls and the servo amplifier (BAUDRATE) and the fibre-optic connection. If this LED flickers, this indicates a low level of interference for SERCOS communication, or the optical transmitting power is not correctly adjusted to suit the length of cable. Check the transmitting power of the (physically) previous SERCOS station. The transmitting power of the servo amplifier can be adjusted in the setup software DRIVE.EXE on the SERCOS screen page, by altering the parameter for the cable length.

8.17.3.2 Connection diagram

Layout of the SERCOS bus system in ring topology, with optical fibre cables (schematic).



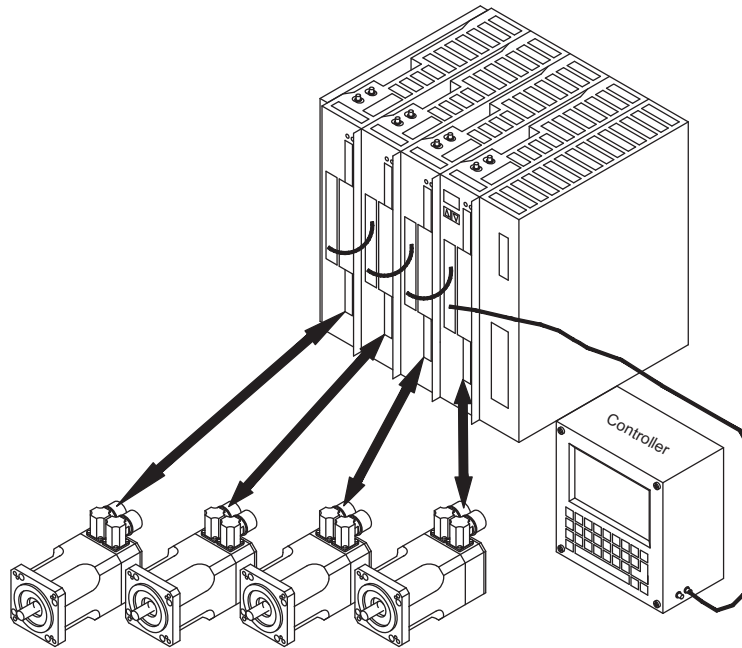
8.17.4 EtherCAT interface (X7), option

This section describes the EtherCAT interface of the SERVOSTAR 400. Information on the range of functions and the software protocol can be found in the EtherCAT documentation (actually in process).

8.17.4.1 EtherCAT connection, connector X7A/B (RJ-45)

Connection to the EtherCAT network with RJ-45 connectors (IN and OUT interfaces).

8.17.4.2 Connection diagram



9 Setup

The procedure for commissioning is described as an example. Depending on the application, a different procedure may be appropriate or necessary. In multi-axis systems, commission each servo amplifier individually.

Before setting up, the manufacturer of the machine must generate a risk assessment for the machine, and take appropriate measures to ensure that unforeseen movements cannot cause injury or damage to any person or property.

9.1 Important notes



DANGER Lethal voltage!

Risk of electric shock. Lethal danger exists at live parts of the device.

- Built-in protection measures such as insulation or shielding may not be removed.
- Work on the electrical installation may only be performed by trained and qualified personnel, in compliance with the regulations for safety at work, and only with switched off mains supply, and secured against restart.



WARNING Automatic restart!

Risk of death or serious injury for humans working in the machine. The drive might restart automatically after power on, depending on the parameter setting. If the parameter [AENA](#) is set to 1,

- then place a warning sign to the machine (Warning: Automatic Restart at Power On) and
- ensure, that power on is not possible, while humans are in a dangerous zone of the machine.

NOTICE

If the servo amplifier has been stored for more than 1 year, it will be necessary to re-form the capacitors in the DC bus link circuit. To do this, disconnect all electrical connections and apply single-phase 208...240 V AC to terminals L1 / L2 of the servo amplifier for about 30 minutes. This will re-form the capacitors.

NOTE

Additional information on setting up the equipment:

The adaptation of parameters and the effects on the control loop behavior are described in the [Online Help](#) of the setup software.

The setting up of any expansion card that may be fitted is described in the corresponding manual on the CD-ROM.

We can provide further know-how through training courses (on request).

9.2 Setup software

9.2.1 General

This chapter describes the installation of the setup software DRIVE.EXE for the SERVOSTAR 400 digital servo amplifiers.

We offer training and familiarization courses on request.

9.2.1.1 Use as directed

The operator software is intended to be used for altering and storing the operating parameters for the SERVOSTAR 400 series of servo amplifiers. The attached servo amplifier is commissioned with the assistance of the software - during this process the drive can be controlled directly by the service functions.

Only professional personnel who have the relevant expertise described on page 11 are permitted to carry out online parameter setting for a drive which is running.

Sets of data which are stored on data media are not safe against unintended alteration by other persons. After loading a set of data you must therefore check all parameters thoroughly before enabling the servo amplifier.

9.2.1.2 Software description

The servo amplifiers must be adapted to the requirements of your installation. Usually you will not have to carry out this parameter setting yourself on the amplifier, but on a PC, with the assistance of the operator software. The PC is connected to the servo amplifier by a null-modem (serial, ⇒ p.74) cable. The setup software provides the communication between the PC and SERVOSTAR 400.

You will find the setup software on the accompanying CD-ROM and in the download section of our website.

With very little effort you can alter parameters and immediately observe the effect on the drive, since there is a continuous (online) connection to the amplifier. At the same time, important actual values are read out from the amplifier and displayed on the PC monitor (oscilloscope function).

Any interface modules which may be built into the amplifier are automatically recognized, and the additional parameters which are required for position control or motion-block definition are made available.

Sets of data can be stored on data media (archived) and loaded again. You can also print out the data sets.

We provide you with motor-specific default sets of data for all the reasonable combinations of servo amplifier and motor. In most applications you will be able to use these default values to get your drive running without any problems.

An extensive [Online Help](#) with integrated description of all variables and functions supports you in each situation.

9.2.1.3 Hardware requirements

The PC interface (X6, RS232) of the master is connected to a serial interface on the PC by a null-modem cable (**not a null-modem link cable !**) (⇒ p.74).

NOTICE

Connect / disconnect the interface cable only when the supply is switched off for both the PC and the servo amplifier.

The interface in the servo amplifier is electrically isolated by an optocoupler, and is at the same potential as the CANopen interface.

Minimum requirements for the PC:

Processor	:	Pentium I or higher
Operating system	:	WINDOWS
Graphica adapter	:	Windows compatible, color
Drives	:	Hard disk (10 MB free space) CD-ROM drive
Main memory	:	at least 8 MB
Interface	:	one free serial interface (COM1... 10)

9.2.1.4 Operating systems

WINDOWS 95(c) / 98 / 2000 / ME / NT / XP / Vista / 7

DRIVE.EXE is executable under WINDOWS 95(c)/98 / 2000 / ME / NT 4.0 / XP / Vista / 7. The HTML help system is not available under WINDOWS 95a and 95b.

WINDOWS FOR WORKGROUPS 3.xx, DOS, OS2

DRIVE.EXE is not executable under WINDOWS 3.xx, DOS and OS2.

In emergency, operation is possible through an ASCII terminal emulation (without user-interface).

Interface settings : 9600 bps, no parity, no handshake

Unix, Linux

The software function has not been tested running within Unix or Linux.

WINDOWS 8, 10

DRIVE.EXE is not tested with WINDOWS 8 or 10.

9.2.2 Installation under WINDOWS

The CD-ROM includes an installation program for the setup software.

Installation

Insert the CD-ROM into a free drive.

Autostart activated:

The start screen of the CD-ROM pops up. Click on the link to the **Setup Software** and follow the instructions.

Autostart deactivated:

Click on **START** (task bar), then on **Run**. Enter the program call **x:\index.htm** (where x is the drive letter for the CD drive). Click on **OK** and then on the link to the **Setup Software** and follow the instructions.

Connection to the serial interface of the PC

Connect the interface cable to a serial interface on your PC and the PC interfaces (X8) of the SERVOSTAR 400 (⇒ p.74).

9.3 Quickstart, drive test

9.3.1 Preparation

Unpacking, Mounting and Wiring the Servo Amplifier

1. Unpack servo amplifier and accessories
2. **Observe safety instructions in the manuals**
3. Mount the servo amplifier as described in chapter 7.3
4. Wire the servo amplifier as described in chapter 8.3 or apply the minimum wiring for drive testing as described in chapter 9.3.1
5. Install the software as described in chapter 9.2
6. You need this information concerning the drive components:
 - rated mains supply voltage
 - motor type (motor data, if the motor type is not listed in the motor database, see [online help](#))
 - feedback unit built into the motor (type, poles, lines, protocol etc.)
 - moment of inertia of the load

Documents

You need access to these documents (located on the product CD-ROM, you can download the latest editions from our website):

- Instructions Manual (this manual)
- Accessories Manual

Depending on the installed fieldbus interface you need one of these documents:

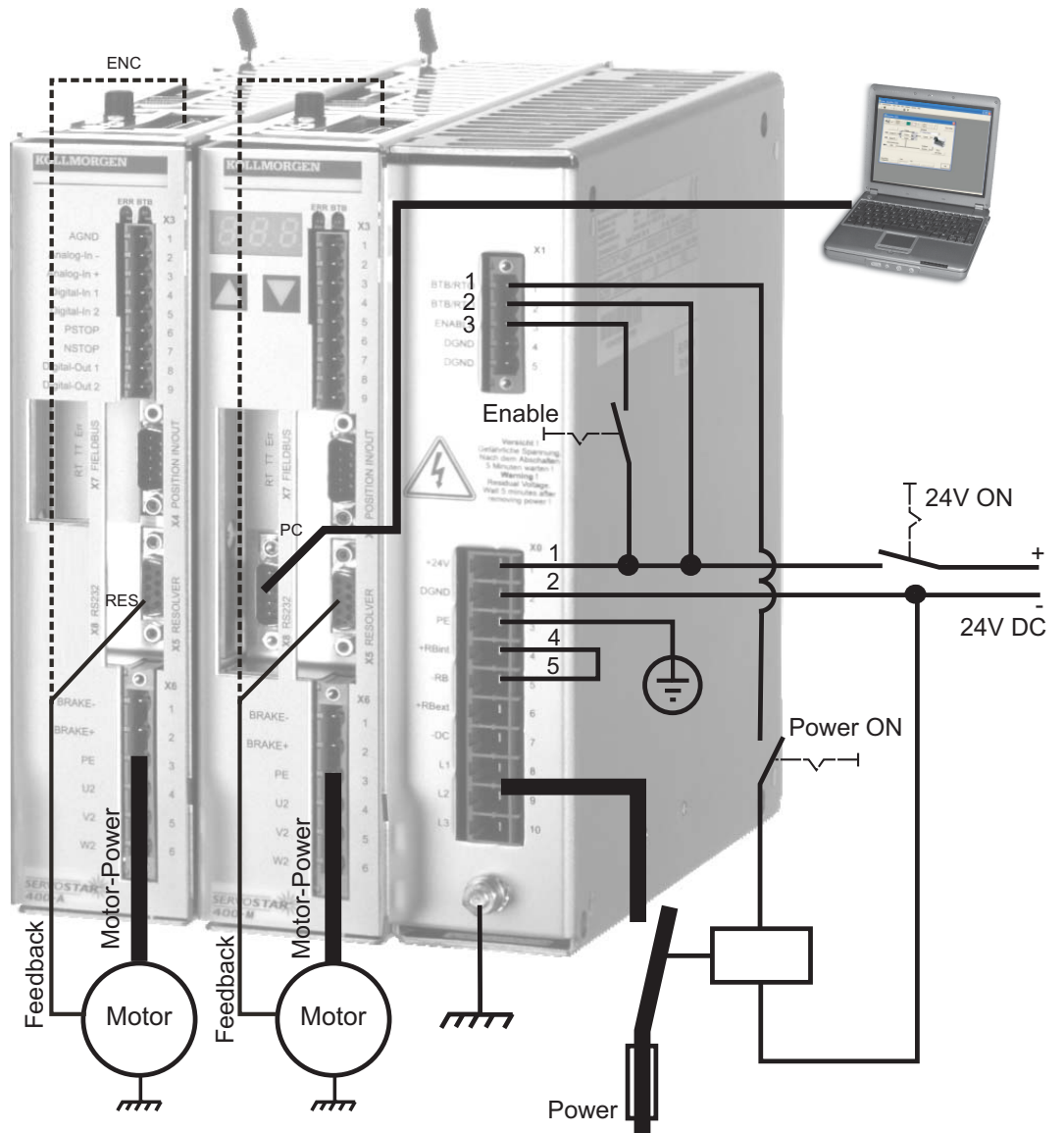
- CANopen Communication Profile Manual
- PROFIBUS DP Communication Profile Manual
- SERCOS Communication Profile Manual
- EtherCAT Communication Profile Manual

You need Acrobat Reader to read the PDFs, an installation link is on every screen of the product CD-ROM.

Minimum Wiring for Drive Test





NOTE

This wiring does not fulfill any requirements to safety or functionality of your application, it just shows the required wiring for drive testing without load.









9.3.2

Connect

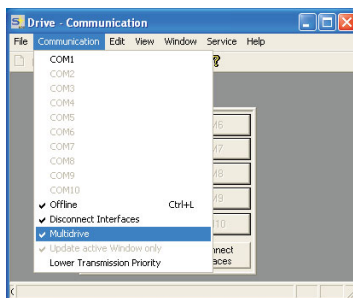
- Connect the interface cable to a serial interface on your PC and to the serial interface X8 of the servo amplifier. USB to serial converter can be used optionally.
- Switch on the 24 V power supply for the servo amplifier.
- Wait about 30 seconds, until the front display of the servo amplifier displays the current class (e.g.   for 3 A) . If the power supply voltage is switched on, too, a leading P is displayed (e.g.   for Power, 3 A).

NOTE

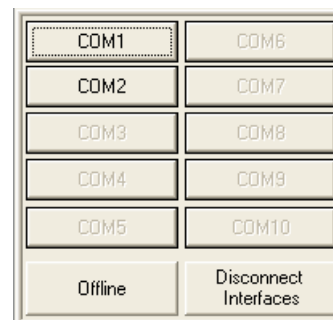
If a fault code (  ) or a warning (  ) or a status message (./_ / E/S) appears in the display, you will find the description on page 96ff. If there is fault, fix the problem.



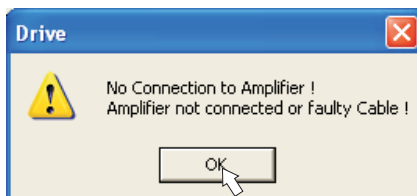
Double-Click the DRIVE.EXE icon on your Windows desktop to start the software..



"Multidrive" must be activated in the menu "Communication"!



You can work offline or online with DRIVE.EXE. We work online now. Select the interface where the servo amplifier is connected to.

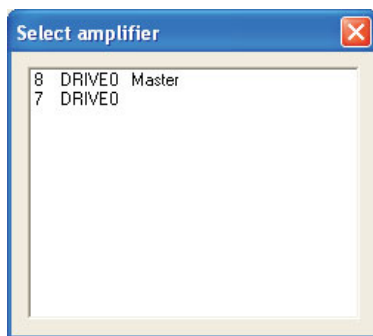


The software tries to communicate with the drive and to upload the parameters. If it's not successful, you receive this error message:

- Frequent causes:
- wrong interface chosen
 - wrong connector chosen at the servo amplifier
 - interface is used by another software
 - 24 V auxiliary voltage for the servo amplifier not working
 - interface cable broken or wrong wiring

Click OK to remove the error message. Detect and remove the error source. Restart the software.

If communication works, the drive selection screen appears:



The master and axis modules, recognized in the system, with its station address and name are listed. The master module is separately characterized. Doubleclick on the amplifier, which you want to work with. You can select additional other axis modules later to show them in parallel at the screen and parameterize them (Multidrive function).

Now parameters are transmitted from the servoamplifier to the computer. Then you see the start screen.

NOTICE

Make sure, that the amplifier is disabled (Input HW-Enable connector X1 pin 3 must be 0 V or open)!

9.3.3 Important Screen Elements

Help Function

The [online help](#) gives detailed information to all parameters the servo amplifier can work with.

Key F1	Starts online help for the actual screen page.
Menu Bar ? / Online HTML Help	Starts online help with table of contents.

Tool Bar



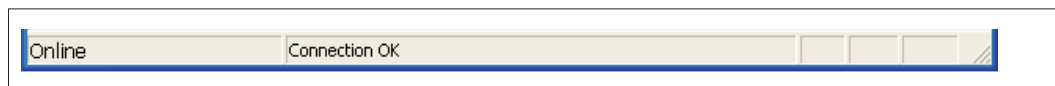
	Save to EEPROM, required if you changed parameters.
--	---

	Reset (coldstart), required if you changed important configuration parameters.
--	--

OPMODE 0: Digital Speed	Operation Mode, use Digital Velocity mode for drive testing.
----------------------------	--

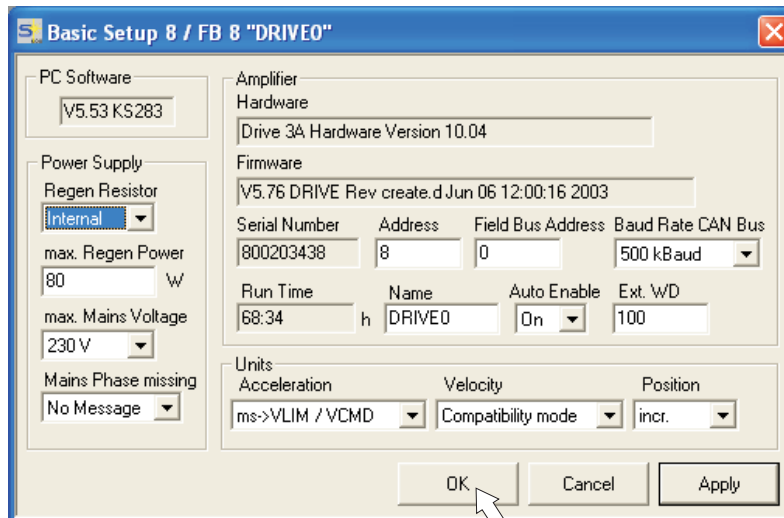
Sw Disable (F12) Enable (Shift+F12)	Disable and Enable of the amplifier's output stage via software.
--	--

Status Bar



9.3.4 Basic Setup

On the start screen click **"Basic Setup"** button.



Brake Resistor: Change only if you use an external brake resistor. Most applications don't need an external brake resistor.

Max. Mains Voltage: Select the nominal mains AC voltage.

Mains Phase Missing: You can select either warning "n05" or error "F19" in case of phase loss. The setting "F19" disables the output stage, "n05" is just a message.

Units: Acceleration, Velocity, Position

Select usable units for your application referring to the moved load.

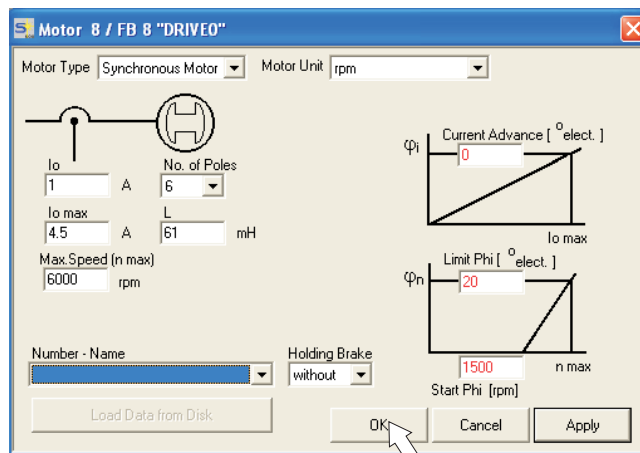
Address:

Adjust for master amplifier only (= highest address of the drive system, see p.92)

Leave all other fields unchanged.

Click OK. On the start screen click **"Motor"** button.

9.3.5 Motor (synchronous)



NOTICE

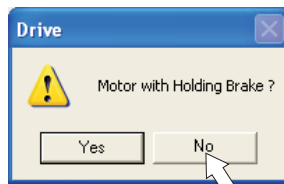
Press function key F12 (disable) before changing motor parameters.

Motor Type: Select Synchronous Motor. If you use a linear motor or an induction motor, please contact our support department.

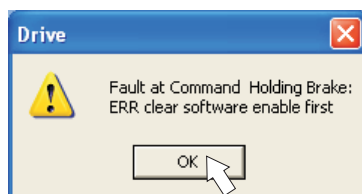
Number-Name: Click the list to start uploading the motor parameter table, which is stored in the servo amplifier. Search and select the connected motor. If your motor is not listed, please contact our support department.

Leave all other fields unchanged.

Click OK.

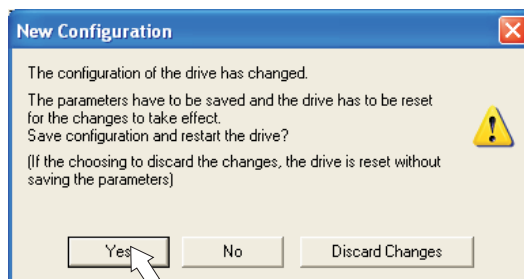


If your motor has a built-in brake, click "Yes", otherwise "No".



If Software Enable is active, a warning appears. You can proceed, but after the amplifier is restarted, you must check whether the holding brake configuration is correct.

Click OK.



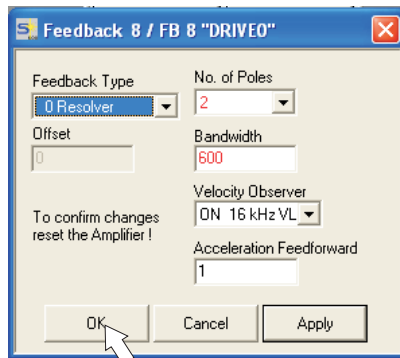
Parameters are uploaded to the amplifier's RAM now (takes some seconds). When this is done, you have to accept the changed configuration with "Yes" or to discard the changes in the appearing screen.

If you click "Yes", the parameters are saved in the EEPROM and the amplifier makes a coldstart (reset). This takes some seconds.

On the start screen, click "Feedback" button.

9.3.6

Feedback

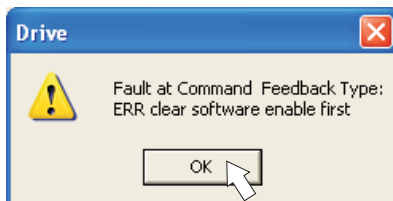


Press function key F12 (disable) before changing feedback parameters.

Feedback Type:

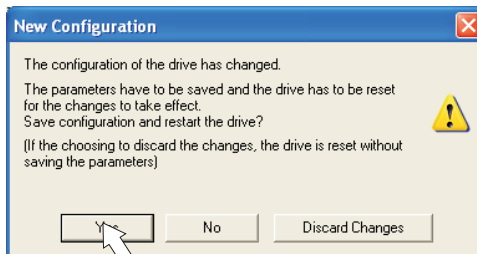
Select the feedback type used.

Leave all other fields unchanged.



If Software Enable is active, a warning appears. The configuration change cannot be performed.

Click OK on the warnings, press F12 (SW disable) and start the Feedback procedure again.



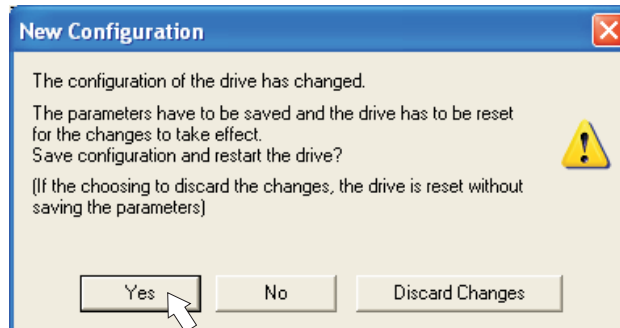
If everything was ok, the same procedure (parameter upload) that has been described for the motor selection starts.

If you click "Yes", the parameters are saved in the EEPROM and the amplifier makes a coldstart (reset). This takes some seconds.

9.3.7 Save Parameters and Restart

You are going to finish setup and you have changed several basic parameters. Depending on the parameters you changed, two possible reactions can occur:

Configuration parameters changed



A warning appears, that you have to restart the amplifier. This is called "coldstart". Click "YES". The parameters are saved to the amplifier's EEPROM automatically and a reset command restarts the amplifier (takes a few seconds). For example, this happens after motor or feedback selection.


Other parameters changed

No warning appears. Parameters are saved in the volatile RAM only.

Save the parameters to the EEPROM of the servo amplifier manually by clicking the sym-

bol  in the tool bar. A coldstart of the amplifier is not necessary.


Reset the amplifier

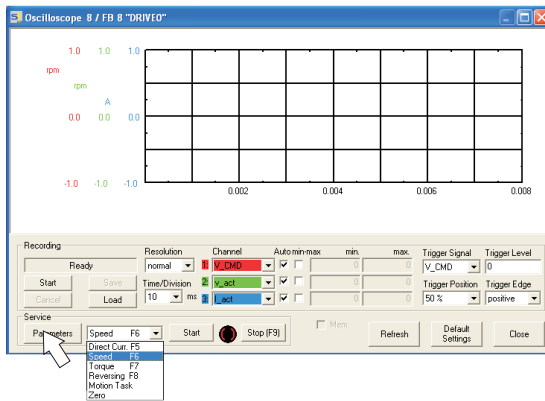
You can reset the amplifier manually (e.g. in case of an error). Click the icon .

9.3.8 Jogging the Motor (Speed Control)

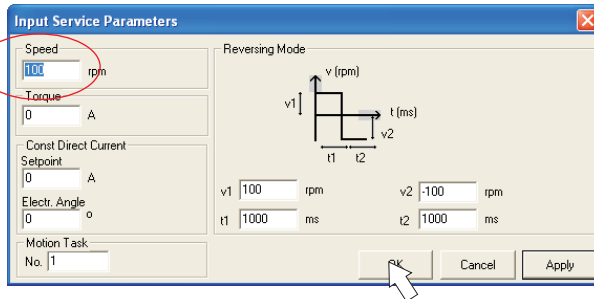
NOTICE

Be aware that the actual position of the load permits the subsequent moving operations. The axis could move to the hardware limit-switch or the mechanical stop. Make sure that a jerk or a fast acceleration of the load cannot cause any damage.

- Switch on the power supply for the drive.
- **Hardware-Enable:** +24 VDC to Enable [connector X1 pin 3].
- **Software-Enable:** Click the "Enable" button Enable (Shift+F12) on the start screen or use key combination Shift+F12. Now, the front display shows an E and the current rating (e.g. 8.8.8 for Enable, 3 A).
- Click the icon "Oscilloscope"  :



- Select Service-Mode "Speed F6", then click "Parameter" button

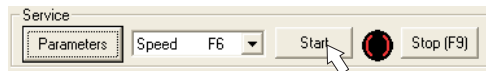


- Enter a safe speed. The sign defines the direction of movement.

NOTICE

Observe the "safe reduced speed" requirements for your application!

- Click OK.
- Start the service function ("Start" button or press F6).
Click OK on the warning notice.

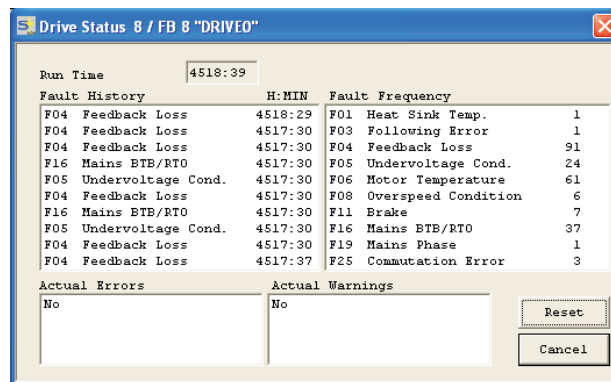
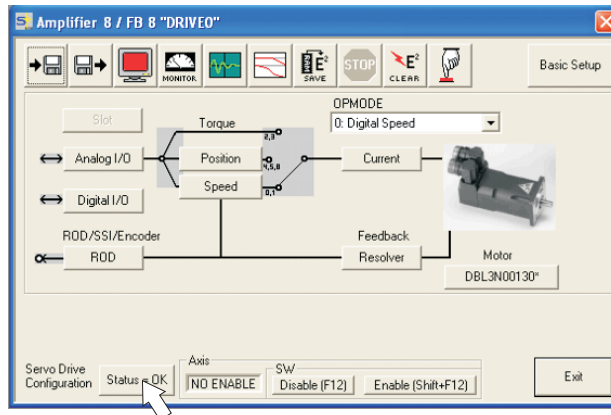


The opmode is switched to "0" and the output stage is enabled automatically. The symbol's color changes to green as long as the function is active.

- The function is active until you click the "Stop" button or press F9.
- The output stage can be disabled by pressing function key F12.

9.3.9 Status

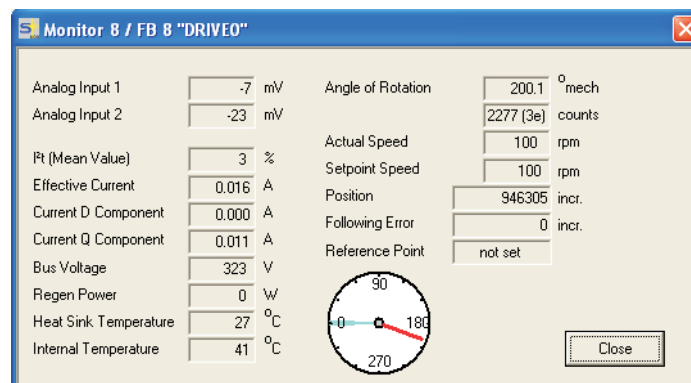
Actual warnings and errors are listed on the **Status** screen, which can be accessed on the start screen by clicking the "Status" button. This button monitors the current status of the amplifier and can appear with different text.



The Reset button can be used to clear some actual error messages. A description of errors/warnings can be found on p. 96.

Now you have setup and tested the basic functions of the drive successfully.

9.3.10 Monitor



Click the icon



The Monitor screen shows all important electrical and mechanical actual values.

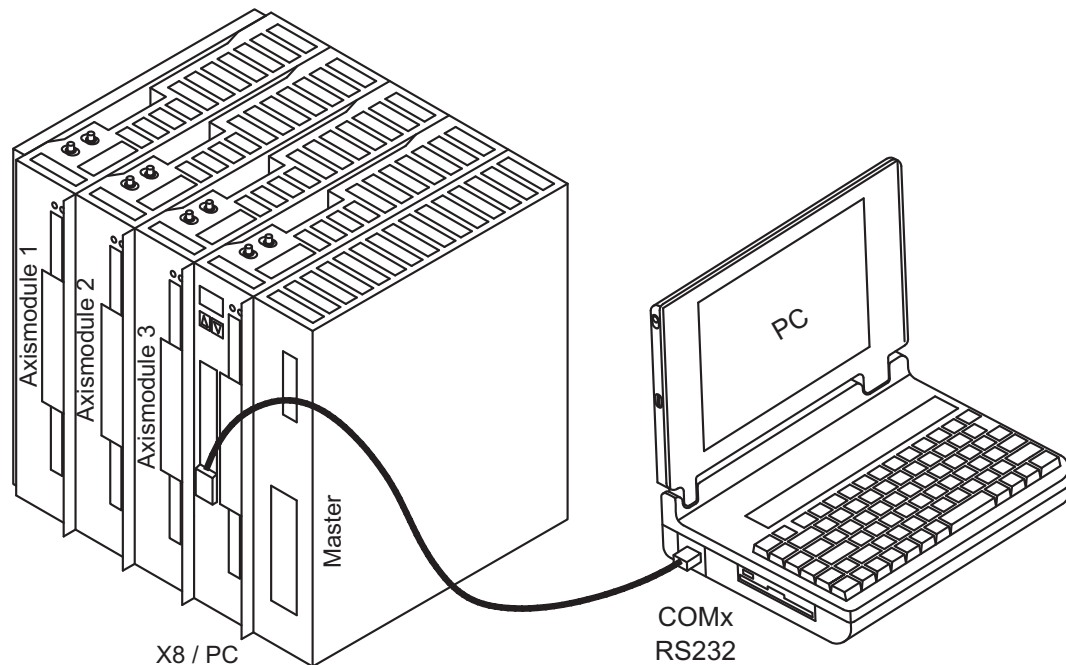
9.3.11 Additional Setup Parameters

Detailed information on all setup functions can be found in the Online Help system and the integrated command reference.

9.4 Multi-axis systems

All the axes in a system can be parameterized through the RS232 interface in the master. To do this, there is an internal connection between the master and the axis modules. The PC cable only has to be connected to the master.

The internal address assignment is carried out automatically, so that it is only necessary to set up the basic station address for the master.



9.4.1 Station Address

Adjust the address of the master with the setup software. The addresses of the axis modules are then assigned automatically.

NOTE

After changing the station address it is necessary to turn off the 24 V auxiliary supply, and then turn it on again.

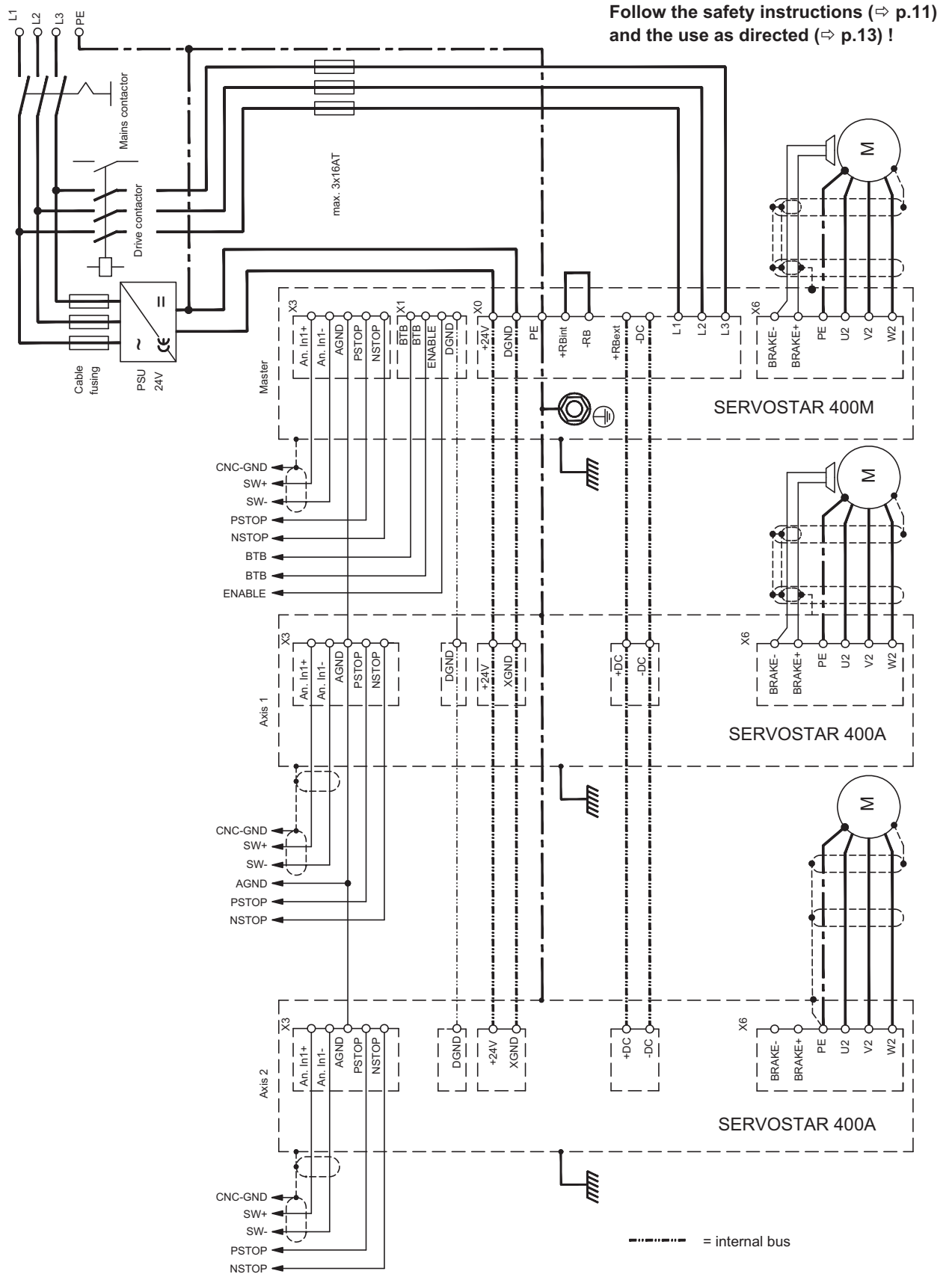
Starting at the master, descending addresses are assigned automatically to the axis modules. The following table shows an example with one master and three axis modules according to the graphics above:

Axis	Address	Remark
Master	10	Master address, set by user
Axis module 3	9	Assigned automatically
Axis module 2	8	
Axis module 1	7	

NOTE

The highest permitted master address is 128. When choosing the master address, please consider that at least address 1 will be assigned to the last (leftmost) axis module. In CAN and PROFIBUS field bus systems the automatically assigned addresses must not match the address of other nodes.

9.4.2 Example of connections for multi-axis system






9.5 Key pad controls and status displays

Two keys are fitted in the operating panel of the master. Here you can enter the basic address for the system and call up status information on all the axes that are connected.

9.5.1 Operating

The two keys can be used to perform the following functions:

Key symbol	Functions
	press once : go up one menu item, increase number by one press twice in rapid succession : increase number by ten
	press once : go down one menu item, decrease number by one press twice in rapid succession : decrease number by ten
	press and hold right key, then press left key as well : enters a number, return function

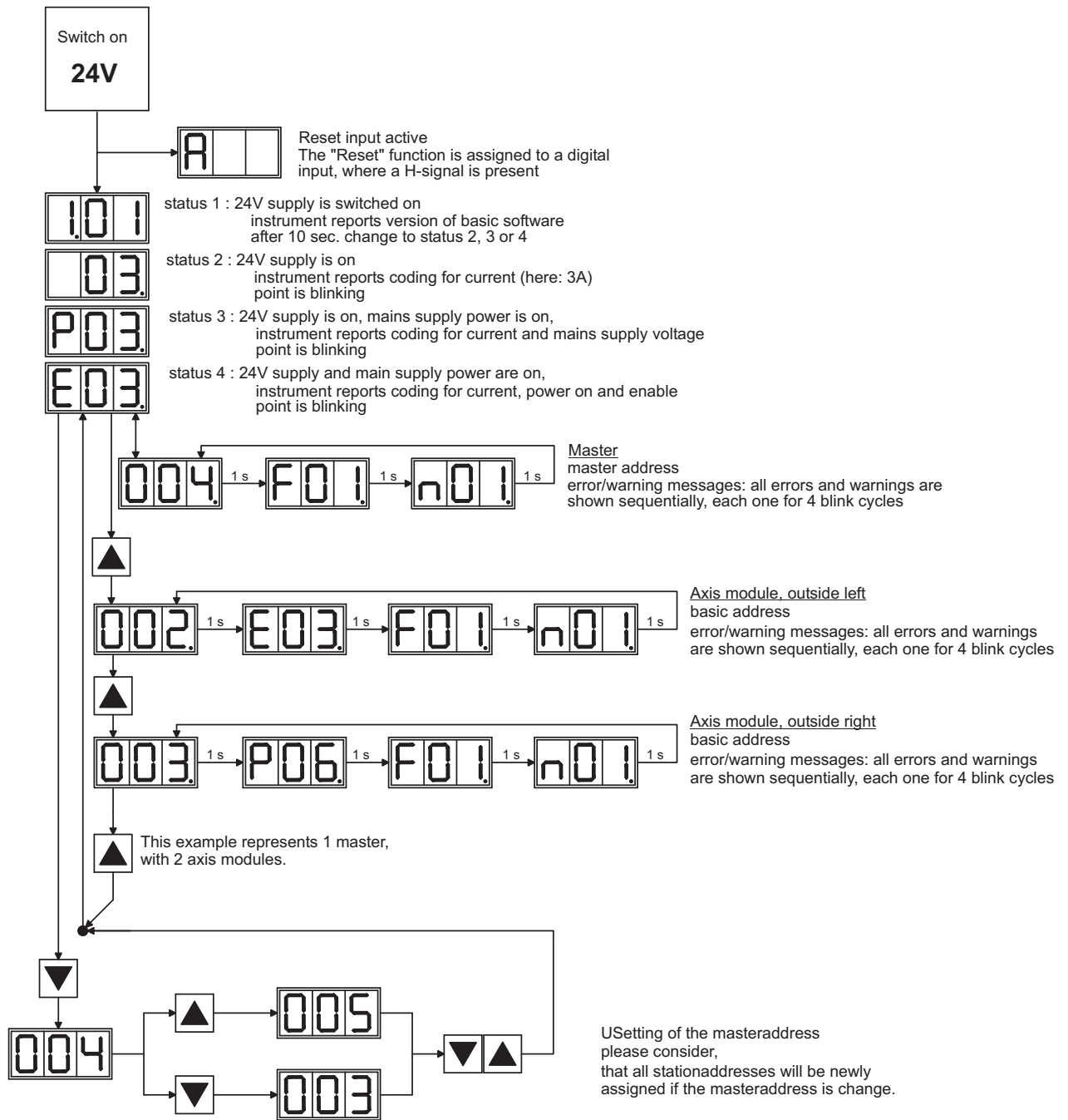
9.5.2 Status display on the axis module

Each axis module is fitted with 2 LEDs that provide a quick indication of the instrument status.

LED		Interpretation
red	green	
lit	off	axis is not ready for operation (fault)
blinking	off	a warning has been generated
off	lit	axis is ready for operation, and enabled
off	blinking	axis is ready for operation, but not enabled
blinking	blinking	axis is selected for editing by the master

A detailed display of the warnings and faults can be called up in the display on the master (⇒ p.95).

9.5.3 Status display on the master



9.6 Error messages

Any errors that occur are shown in coded form by an error number in the LED display on the front panel. All error messages result in the BTB/RTO contact being opened, the output stage being switched off (motor loses all torque), and the holding brake is activated.

Number	Designation	Explanation
A//P/E	Status Messages	Status messages, no error, see p. 95
. . .	Status Message	Updating the startup configuration
F00	no error	no error on the selected axis module
F01*	Heat sink temperature	Heat sink temperature too high limit is set by manufacturer to 80°
F02*	Overvoltage	Overvoltage in DC bus link limit depends on the electrical supply voltage
F03*	Following error	Message from the position controller
F04	Feedback	Cable break, short-circuit, short to ground
F05*	Undervoltage	Undervoltage in DC bus link limit is set by manufacturer to 100V
F06	Motor temperature	Motor temperature too high or temp. sensor defect limit is set by manufacturer to 145°C
F07	Internal voltage supply	Internal amplifier supply voltages are out of tolerance
F08*	Overspeed	Motor runs away, speed is too high
F09	EEPROM	Checksum error
F10	Flash-EPROM	Checksum error
F11	Motor Brake	Cable break, short-circuit, short to ground
F12	Motor phase	Motor phase missing (cable break or similar)
F13*	Internal temperature	Internal temperature too high
F14	Output stage	Fault in the power output stage
F15	I ² t max.	I ² t maximum value exceeded
F16*	Supply BTB/RTO	2 or 3 phases missing in the mains supply feed
F17	A/D converter	Error in the analog-digital conversion, normally caused by extreme electromagnetic interferences.
F18	Brake	electrical brake circuit faulty or incorrect setting
F19*	Supply phase	A phase is missing in the mains supply power feed
F20	Slot fault	Slot error (hardware fault on interface card)
F21	Handling error	Software error on the interface card
F22	reserved	reserved
F23	CAN-bus off	Severe CAN bus communication error
F24	Warning	Warning is displayed as fault
F25	Commutation error	Commutation error
F26	Limit switch	Homing error (hardware limit switch activated)
F27	reserved	reserved
F28	External Trajectory	External position profile generator created a step, that exceeded the maximum value
F29	Sercos Error	only in SERCOS systems
F30	Emergency timeout	Timeout emergency stop
F31	Macro	Macro program error
F32	System Error	system software not responding correctly

* = these error messages can be cleared without a reset, by using the ASCII command CLRFAULT. If only one of these errors is present and the RESET button or the I/O RESET function is used, only the CLRFAULT command will be executed.

NOTE

More information to the messages can be found in the ASCII Object Reference ([Online Help](#)), see parameter [ERRCODE](#). Hints for removal can be found in the Online help chapter "Trouble-Shooting".

9.7 Warning messages

Faults which occur, but which do not cause a switch-off of the amplifier output stage (BTB/RTO contact remains closed), are indicated in the LED display on the front panel by a coded warning number.

Number	Designation	Explanation
A/I/P/E	Status Messages	Status messages, no error, see p. 95
...	Status Message	Updating the startup configuration
n01	I ² t	I ² t threshold exceeded
n02	Brake power	Reached preset electrical brake power limit
n03*	S_fault	Exceeded preset following error limit
n04*	Response monitoring	Response monitoring (fieldbus) has been activated
n05	Supply phase	Mains supply phase missing
n06*	SW limit switch 1	Underrun software limit switch 1
n07*	SW limit switch 2	Overrun software limit switch 2
n08	Motion task error	A faulty motion task was started
n09	No reference point	No reference point (Home) set at start of motion task
n10*	PSTOP	PSTOP limit-switch activated
n11*	NSTOP	NSTOP limit-switch activated
n12	Motor default values loaded	Only for ENDAT or HIPERFACE® : discrepancy between motor number saved in the encoder and the amplifier, motor default values loaded
n13*	reserved	reserved
n14	SinCos feedback	SinCos commutation (wake & shake) not completed, will be canceled when amplifier is enabled and wake & shake carried out
n15	Table error	Fault according to speed/current table INXMODE 35
n16	Summarized warning	Summarized warning for n17 to n31
n17	Fielbus Synchronization	The mode synchronization SYNC SRC is selected but the drive isn't in synchronies cycle
n18	Multiturn overrun	Using Multiturn encoder feedback, an overrun over the maximum number of resolutions was detected
n19	Motion task ramps are limited	Range overflow on motion task data
n20	Wrong GMT data	Wrong "Graphical Motion Task" data
n21	PLC program error	For details see plc code
n22	max. motor temperatur reached	The user can shut down the process before the temperature error will interrupt the process immediately
n23...n31	reserved	reserved
n32	firmware beta version	Firmware is an unreleased beta version

* = these warning messages result in a controller shut-down of the drive (braking by emergency stop ramp)

NOTE

More information to the messages can be found in the ASCII Object Reference ([Online Help](#)), see parameter [STATCODE](#). Hints for removal can be found in the Online help chapter "Trouble-Shooting".

9.8 Trouble Shooting

Depending on the conditions in your installation, there may be a wide variety of reasons for the fault. In multi-axis systems there may be further hidden causes of a fault.

NOTICE

Eliminate errors and faults in compliance with work safety rules. Troubleshooting only by qualified and trained staff.

NOTE

Detailed hints for removal of faults can be found in the [Online Help](#) chapter "Trouble-Shooting".

Our customer support can give you further assistance with problems.

Fault	possible causes	Measures to remove the fault
HMI message: communication fault	<ul style="list-style-type: none"> — wrong cable used — cable plugged into wrong position in servo amplifier or PC — wrong PC interface selected 	<ul style="list-style-type: none"> — use null-modem cable — plug cable into the correct sockets on the servo amplifier and PC — select correct interface
motor does not rotate	<ul style="list-style-type: none"> — servo amplifier not enabled — break in setpoint cable — motor phases swapped — motor brake not released — drive is mechanically blocked — no. of motor poles set incorrectly — feedback set up incorrectly 	<ul style="list-style-type: none"> — apply enable signal — check setpoint cable — correct motor phase sequence — check brake control — check mechanism — set no. of motor poles — set up feedback correctly
motor oscillates	<ul style="list-style-type: none"> — gain too high (speed controller) — shielding in feedback cable has a break — AGND not wired up 	<ul style="list-style-type: none"> — reduce Kp (speed controller) — replace feedback cable — join AGND to CNC-GND
drive reports following error	<ul style="list-style-type: none"> — I_{rms} or I_{peak} is set to low — setpoint ramp is too long 	<ul style="list-style-type: none"> — increase I_{rms} or I_{peak} (keep within motor data !) — shorten setpoint ramp +/-
motor overheating	<ul style="list-style-type: none"> — I_{rms}/I_{peak} set too high 	<ul style="list-style-type: none"> — reduce I_{rms}/I_{peak}
drive too soft	<ul style="list-style-type: none"> — Kp (speed controller) too low — Tn (speed controller) too high — PID-T2 too high — T-Tacho too high 	<ul style="list-style-type: none"> — increase Kp (speed controller) — use motor default value for Tn (speed controller) — reduce PID-T2 — reduce T-Tacho
drive runs roughly	<ul style="list-style-type: none"> — Kp (speed controller) too high — Tn (speed controller) too low — PID-T2 too low — T-Tacho too low 	<ul style="list-style-type: none"> — reduce Kp (speed controller) — use motor default value for Tn (speed controller) — increase PID-T2 — increase T-Tacho
axis drifts at setpoint = 0V	<ul style="list-style-type: none"> — offset not correctly adjusted for analog setpoint provision — AGND not joined to the CNC-GND of the controls 	<ul style="list-style-type: none"> — adjust setpoint-offset (analog I/O) — join AGND and CNC-GND

10 Appendix

10.1 Glossary

B	brake circuit	Converts superfluous energy, which is fed back during braking, into heat in the brake resistor
C	clock	Clock signal
	common-mode voltage	The maximum amplitude of a disturbance (on both inputs) which a differential input can eliminate
	continuous power of brake circuit	Mean power which can be dissipated in the brake circuit
	counts	Internal count pulses, 1 pulse = $1/2^{20}$ turn ⁻¹
D	current controller	Regulates the difference between the current setpoint and the actual value to 0 Output : power output voltage
	DC Bus link	Rectified and smoothed power voltage
E	disable	Removal of the enable signal (0 V or open)
	earth short	electrical connection between a phase and the protective earth (PE)
F	enable	Enable signal for the servo amplifier (+24 V)
	fieldbus interface	CANopen, PROFIBUS, SERCOS, EtherCAT
G	free convection	Free movement of air for cooling
	GRAY-code	Special format for representing binary numbers
H	holding brake	Brake in the motor, which should only be used when the motor is at standstill
I	I ² t threshold	Monitoring of the r.m.s. current that is actually required
	incremental encoder interface	Position signalling by 2 signals with 90° phase difference, not an absolute position output
	input drift	Temperature and age-dependent alteration of an analog input
	I _{peak} , peak current	The effective value of the peak current
K	I _{rms} , effective current	The r.m.s. value of the continuous current
	K _p , P-gain	Proportional gain of a control loop
L	limit speed	Maximum value for speed normalization at ±10 V
	limit-switch	Switch limiting the traverse path of the machine; implemented as n.c. (break) contact
M	machine	The complete assembly of all connected parts or devices, of which at least one is movable
	motion-block	Set of all the position control parameters which are required for a motion task
	multi-axis system	Machine with several driven axes
N	natural convection	Free movement of air for cooling
O	optocoupler	Optical connection between two electrically independent systems

P	P-controller	Control loop with purely proportional behaviour
	phase shift	Compensation for the lag between the electro-magnetic and magnetic fields in the motor
	PID-controller	Control loop with proportional, integral and differential behaviour
	PID-T2	Filter time constant for the speed controller output
	position controller	Regulates the difference between the position setpoint and the actual position to 0 Output : speed setpoint
	potential isolation	electrically decoupled
	power contactor	System protection device with phase monitoring
	pulse power of the brake circuit	Maximum power which can be dissipated in the brake circuit
R	regen	see brake circuit
	reset	New start of the microprocessor
	reversing mode	Operation with a periodic change of direction
	ROD-interface	Incremental position output
S	servo amplifier	Control device for regulating the speed, torque and position of a servomotor
	setpoint ramps	Limits for the rate of change of the speed setpoint
	short-circuit	here: electrically conductive connection between two phases
	speed controller	Regulates the difference between the speed setpoint and the actual value to 0 Output : current setpoint
	SSI-interface	Cyclic-absolute, serial position output
	supply filter	Device to divert interference on the power supply cables to PE
T	T-tacho, tachometer time constant	Filter time constant in the speed feedback of the control loop
	tachometer voltage	Voltage proportional to the actual speed
	thermal control	Temperature-sensitive device built into the motor winding (usually a PTC)
	Tn, I-integration time	Integral section of a control loop
Z	zero pulse	Output once per turn from incremental encoders, used to zero the machine

10.2 Order numbers

The order numbers of accessories such as cables, brake resistors, mains supplies, etc., can be found in the accessories manual.

10.2.1 Servo amplifiers

Article	European order code
SERVOSTAR 403M-NA (CANopen)	DE-102111
SERVOSTAR 406M-NA (CANopen)	DE-102117
SERVOSTAR 443M-NA (CANopen)	DE-102832
SERVOSTAR 446M-NA (CANopen)	DE-102833
SERVOSTAR 403A-NA (CANopen)	DE-102112
SERVOSTAR 406A-NA (CANopen)	DE-102118
SERVOSTAR 403M-PB (PROFIBUS)	DE-102113
SERVOSTAR 406M-PB (PROFIBUS)	DE-102119
SERVOSTAR 443M-PB (PROFIBUS)	DE-102834
SERVOSTAR 446M-PB (PROFIBUS)	DE-102835
SERVOSTAR 403A-PB (PROFIBUS)	DE-102114
SERVOSTAR 406A-PB (PROFIBUS)	DE-102120
SERVOSTAR 403M-SE (SERCOS)	DE-102115
SERVOSTAR 406M-SE (SERCOS)	DE-102121
SERVOSTAR 443M-SE (SERCOS)	DE-102976
SERVOSTAR 446M-SE (SERCOS)	DE-102977
SERVOSTAR 403A-SE (SERCOS)	DE-102116
SERVOSTAR 406A-SE (SERCOS)	DE-102122
SERVOSTAR 403M-EC (EtherCAT)	DE-200740
SERVOSTAR 406M-EC (EtherCAT)	DE-200741
SERVOSTAR 443M-EC (EtherCAT)	DE-200742
SERVOSTAR 446M-EC (EtherCAT)	DE-200684
SERVOSTAR 403A-EC (EtherCAT)	DE-200686
SERVOSTAR 406A-EC (EtherCAT)	DE-200685
Add-on fan-SR4BV-	DE-102582

10.2.2 Mating connectors

Article	European order code
X0 -SR4X0- (part of delivery)	DE-102583
X1 -SR4X1- (part of delivery)	DE-102584
X3 -SR4X3- (part of delivery)	DE-102585
X6 -SR4X6- (part of delivery)	DE-107466
SubD 15 poles, male (X2)	on request
SubD 9 poles, male (X5)	DE-81783
SubD 9 poles, female (X4, X7, X8)	DE-81784

10.3 Index

I	24V aux. supply, interface	51	K	KCM Modules	53
A	Abbreviations.	10		Key operation	94
	Ambient conditions	27	L	LED display	94
B	BISS interface	57		Leakage current	35
	BTB/RTO.	73		Limit-switch inputs	71
	Block diagram	47	M	Maintenance	16
	Brake (Motor)	28		Master-Slave	63
	Brake circuit	29		Motor, interface	52
	Brake resistor			Mounting	38
	external interface	52		Mounting position	27
	techn. data	29		Multi-axis systems	
C	CANopen interface	75		connection example	93
	CE conformity	19		parameterization	92
	Capacitor Modules	53	N	NSTOP, interface	71
	Cleaning	16		Nameplate	21
	ComCoder, interface	61		Noise emission.	27
	Conductor cross-sections	27	O	Operating systems	81
	Connector assignments	48		Options.	24
	Control signals	70		Order numbers	101
D	DC Bus link, interface	52		Outputs	
	Decommissioning	16		BTB/RTO.	73
	Dimensions.	39		DIGI-OUT 1/2	72
	Disassemble	16		encoder emulations	68
	Display, LED	27	P	PC connection	74
	Disposal	17		PC interface cable	74
E	Earthing			PROFIBUS interface	76
	installation	42		PSTOP, interface	71
	wiring diagram	49		Package supplied	21
	Emergency Off	34		Packaging	15
	Enclosure protection	27		Part number scheme	22
	Encoder			Pollution level	27
	interface	58		Pulse/direction, interface.	66
	interface Master-Slave	63	Q	Quickstart, drive test	82
	Encoder emulations	68	R	ROD, interface	68
	Error messages	96		RS232/PC, interface	74
	EtherCat interface	78		Re-forming	79
F	Fan	40		Repair	17
	Fieldbus interface	75		Resolver	56
	Fusing	26	S	SERCOS interface	77
G	Glossary	99		SSI, interface.	69
	Ground symbol.	43		Safety Instructions	
	Grounding system	29		Electrical Installation	41
	Guide			Mechanical Installation	37
	electrical installation	42		Setup	79
	mechanical installation	37		Safety instructions	11
H	Hall, interface	60		Setpoint input	70
	Hardware requirements	81		Setup software	80
I	Incremental encoder, interface.	62		Shield connection	44
	Inputs			Shielding	
	ANALOG IN	70		installation	42
	DIGI-IN 1/2	71		wiring diagram	49
	Encoder for Master Slave	63		Sine-cosine encoder, interface.	59
	NSTOP	71		Site altitude.	27
	PSTOP	71		Stacking height.	15
	enable	73		Standards	9
	encoder.	58		Status display	94
	power supply	51		Stop	33
	resolver.	56		Storage.	15
	Installation			Supply connection, interface	51
	electrical	41		Supply voltage	27
	mechanical	37		Switch on/off behavior	30
	software	81		Symboles	8
				System components, summary	46

T	Target group	11
	Technical data	25
	ambient conditions	27
	cables	45
	conductor cross sections	27
	connections.	26
	fusing	26
	rated data	25
	tightening torques	26
	Technical description.	23
	Tightening torques, connectors	26
	Transport.	15
	Trouble shooting	98
U	Use as directed	
	servo amplifier	13
	setup software	80
V	Ventilation	
	installation	37
	techn. data	27
	Vibrations	27
W	Warning messages.	97
	Wiring	43
	Wiring diagram	
	axis module.	50
	master	49

Service

We are committed to quality customer service. In order to serve in the most effective way, please contact your local sales representative for assistance. If you are unaware of your local sales representative, please contact the Customer Support.

Europe

KOLLMORGEN

Internet www.kollmorgen.com/en-gb

Archiv www.wiki-kollmorgen.eu

Support <https://kdn.kollmorgen.com/>

E-Mail technik@kollmorgen.com

Tel.: +49 (0)2102 - 9394 - 0

Fax: +49 (0)2102 - 9394 - 3155



KOLLMORGEN
EU Website



European
File Archive

North America

KOLLMORGEN

Internet www.kollmorgen.com/en-us

Support <https://kdn.kollmorgen.com/>

E-Mail support@kollmorgen.com

Tel.: +1 - 540 - 633 - 3545

Fax: +1 - 540 - 639 - 4162



KOLLMORGEN
US Website



KOLLMORGEN
Developer Network

South America

KOLLMORGEN

Internet www.kollmorgen.com/pt-br

Support <https://kdn.kollmorgen.com/>

E-Mail contato@kollmorgen.com

Tel.: +55 11 4615 - 6300



KOLLMORGEN
Brazil Website

Asia

KOLLMORGEN

Internet www.kollmorgen.cn

Support <https://kdn.kollmorgen.com/>

E-Mail sales.china@kollmorgen.com

Tel: +86 - 400 661 2802



KOLLMORGEN
CN Website

KOLLMORGEN[®]

Because Motion Matters™