



# S700

Digital Servo Amplifier S70101...S72401 (STO single channel)

## Instruction Manual

Translation of the original instruction manual.

Edition 12/2010a

Valid for Hardware Revision 02.10



Keep all manuals as a product component during the life span of the product. Pass all manuals to future users / owners of the product.

File s701\_1\_e.\*\*\*

**KOLLMORGEN**

**Record of Document Revisions:**

Revision	Remarks
07/2007	First edition
09/2007	Part number scheme, label, AS renamed to STO, several small corrections
04/2008	Repair, deinstallation, PosIO card for Slot 2/3 available, EtherCAT onboard, safety symbols acc. to ANSI Z535.6, SSI and Step/Dir. 5V with X1 new, Y-conn. X8Y, dU/dt info, syntax: "regen" => "brake", 24V supply for digital-out separated, peak power brake circuit, motor thermal control contact->PTC, cable requirements
10/2008	Part number scheme, STO-Enable, MMC, EMC standards, CE declaration, Hiperface, UL, EtherCAT onboard, ROD/X1 1.5Mhz primary feedback
12/2008	STO approved, PosI/O-Monitor renamed to PosI/O (Analog part removed), minimal wiring diagram corrected (DGND)
12/2010	Product brand, memory card, part number scheme, faults, EnDat 2.2, Multilink, certificates, GOST-R, SSI input (X5 clock - inverted), PosI/O-Monitor added, FAN option F2, Stop and Emergency Stop examples moved to WIKI, new DriveGUI icon, bridge DGND-GND (dig-I/O) changed, transport and storage classes, WIKI links updated, expansion module 2CAN, company address&name, nameplate, CE certificate, fax form
12/2010a	Typos, remaining safety card hints removed

**Hardware Revision (HR)**

Hardware Revision	usable Firmware Revision	usable DRIVEGUI.EXE Revision	Remarks
02.10	5.15	≥ 2.00 Build 0074	Common layout

WINDOWS is a registered trademark of Microsoft Corporation  
 HIPERFACE is a registered trademark of Max Stegmann GmbH  
 EnDat is a registered trademark of Dr.Johannes Heidenhain GmbH  
 EtherCAT is a registered trademark of EtherCAT Technology Group

**Technical changes which improve the performance of the device may be made without prior notice!**

Printed in the Federal Republic of Germany

All rights reserved. No part of this work may be reproduced in any form (by photocopying, microfilm or any other method) or stored, processed, copied or distributed by electronic means without the written permission of KOLLMORGEN Europe GmbH.

	Page
<b>1 General</b>	
1.1 About this manual . . . . .	7
1.2 Target group . . . . .	7
1.3 Hints for the online edition (PDF format) . . . . .	7
1.4 Abbreviations used . . . . .	8
1.5 Symbols used . . . . .	9
1.6 Standards used . . . . .	9
<b>2 Safety</b>	
2.1 Safety Instructions . . . . .	10
2.2 Use as directed . . . . .	11
2.3 Prohibited use . . . . .	12
<b>3 Approvals</b>	
3.1 Conformance with UL . . . . .	13
3.1.1 UL Markings . . . . .	13
3.1.2 UL Certificate of Compliance . . . . .	14
3.2 EC conformance . . . . .	15
3.2.1 European Directives and Standards for the machine builder . . . . .	15
3.2.2 EC Declaration of Conformity . . . . .	16
3.3 GOST-R conformance . . . . .	17
<b>4 Handling</b>	
4.1 Transport . . . . .	19
4.2 Packaging . . . . .	19
4.3 Storage . . . . .	19
4.4 Maintenance, Cleaning . . . . .	19
4.5 Disassembling . . . . .	20
4.6 Repair . . . . .	20
4.7 Disposal . . . . .	20
<b>5 Package</b>	
5.1 Package supplied . . . . .	21
5.2 Nameplate . . . . .	21
5.3 Part number scheme . . . . .	22
<b>6 Technical description</b>	
6.1 The S700 family of digital servo amplifiers . . . . .	23
6.2 Technical data . . . . .	26
6.2.1 Rated Data . . . . .	26
6.2.2 Inputs / outputs, aux. voltage supply . . . . .	27
6.2.3 Connectors . . . . .	27
6.2.4 Recommended tightening torques . . . . .	27
6.2.5 Fusing . . . . .	27
6.2.6 Ambient conditions, ventilation, mounting position . . . . .	28
6.2.7 Conductor cross-sections . . . . .	28
6.3 Motor holding brake . . . . .	29
6.4 LED display . . . . .	30
6.5 Grounding system . . . . .	30
6.6 Dynamic braking (brake circuit) . . . . .	30
6.7 Switch-on and switch-off behavior . . . . .	32
6.7.1 Behavior in standard operation . . . . .	33
6.7.2 Behavior in the event of an error (with standard setting) . . . . .	34
6.8 Stop- / Emergency Stop- Function to IEC 60204 . . . . .	35
6.8.1 Stop: Standards . . . . .	35
6.8.2 Emergency Stop: Standards . . . . .	36
6.9 Safety function STO . . . . .	37
6.9.1 Safety characteristic data . . . . .	37
6.9.2 Safety instructions . . . . .	38
6.9.3 Use as directed . . . . .	38
6.9.4 Prohibited Use . . . . .	38
6.9.5 Technical data and pinning . . . . .	39
6.9.6 Enclosure . . . . .	39
6.9.7 Wiring . . . . .	39

	Page
6.9.8 Functional description . . . . .	40
6.9.8.1 Signal diagram (sequence) . . . . .	41
6.9.8.2 Control circuit (example) . . . . .	42
6.9.8.3 Functional test . . . . .	43
6.9.8.4 Mains supply circuit (example) . . . . .	43
6.10 Shock-hazard protection . . . . .	44
6.10.1 Leakage current . . . . .	44
6.10.2 Residual current protective device (RCD) . . . . .	44
6.10.3 Isolating transformers . . . . .	44
<b>7 Mechanical Installation</b>	
7.1 Safety Instructions . . . . .	45
7.2 Guide to mechanical installation . . . . .	45
7.3 Assembly . . . . .	46
7.4 Dimensions . . . . .	47
7.5 Fan assembly . . . . .	48
<b>8 Electrical installation</b>	
8.1 Safety Instructions . . . . .	49
8.2 Guide to electrical installation . . . . .	50
8.3 Wiring . . . . .	51
8.3.1 Safety Instructions . . . . .	51
8.3.2 Important Notes . . . . .	51
8.3.3 Shielding connection to the front panel . . . . .	52
8.3.4 Motor connector X9 with shielding connection . . . . .	52
8.3.5 Technical data for connecting cables . . . . .	53
8.4 Components of a servo system . . . . .	54
8.5 Block diagram . . . . .	55
8.6 Connector assignments . . . . .	56
8.7 Connection diagram (Overview) . . . . .	57
8.8 Electrical supply . . . . .	58
8.8.1 Connection to various mains supply networks . . . . .	58
8.8.2 Mains supply connection (X0) . . . . .	59
8.8.3 24V auxiliary supply (X4) . . . . .	59
8.9 External brake resistor (X8) . . . . .	60
8.10 DC bus link (X8) . . . . .	61
8.11 Motor and holding brake connection (X9) . . . . .	62
8.12 Feedback . . . . .	63
8.12.1 Resolver (X2) . . . . .	64
8.12.2 Sine Encoder with BiSS (X1) . . . . .	65
8.12.3 Sine Encoder with EnDat 2.1 (X1) . . . . .	66
8.12.4 Sine Encoder with EnDat 2.2 (X1) . . . . .	67
8.12.5 Sine Encoder with HIPERFACE (X1) . . . . .	68
8.12.6 Sine Encoder with SSI (X1) . . . . .	69
8.12.7 Sine Encoder without data channel (X1) . . . . .	70
8.12.8 Sine Encoder with Hall (X1) . . . . .	71
8.12.9 ROD (AquadB) 5V, 1.5MHz (X1) . . . . .	72
8.12.10 ROD (AquadB) 5V, 350kHz (X1) . . . . .	73
8.12.11 ROD (AquadB) 5V, 350kHz with Hall (X1) . . . . .	74
8.12.12 ROD (AquadB) 24V (X3) . . . . .	75
8.12.13 ROD (AquadB) 24V with Hall (X3, X1) . . . . .	76
8.12.14 SSI Encoder (X1) . . . . .	77
8.12.15 Hall sensors (X1) . . . . .	78
8.13 Electronic Gearing, Master-slave operation . . . . .	79
8.13.1 External Encoder types . . . . .	79
8.13.2 Connection to stepper motor controllers (step and direction) . . . . .	80
8.13.2.1 Step/Direction with 5 V signal level (X1) . . . . .	80
8.13.2.2 Step/Direction with 24 V signal level (X3) . . . . .	80

	Page
8.14 Digital and analog inputs and outputs	81
8.14.1 Analog Inputs (X3B)	81
8.14.2 Digital Inputs (X3A/B, X4B)	82
8.14.2.1 Connector X4B	82
8.14.2.2 Connector X3A/B	83
8.14.3 Digital Outputs (X3A/B)	84
8.15 RS232 interface, PC connection (X6)	85
8.16 CANopen interface (X6)	86
8.17 EtherNET interface (X7)	87
8.18 Memory card	88
<b>9 Setup</b>	
9.1 Safety Instructions	89
9.2 Setup software	90
9.2.1 General	90
9.2.1.1 Use as directed	90
9.2.1.2 Software description	90
9.2.1.3 Hardware requirements	91
9.2.1.4 Operating systems	91
9.2.2 Installation under WINDOWS	91
9.3 Quickstart	92
9.3.1 Preparation	92
9.3.2 Connect	94
9.3.3 Important Screen Elements	95
9.3.4 Setup Wizard	96
9.3.4.1 Basic Setup	96
9.3.4.2 Units/Mechanical	97
9.3.4.3 Motor (rotary) / Feedback	98
9.3.4.4 Motor (linear) / Feedback (Encoder)	98
9.3.4.5 Save Parameters and Restart	99
9.3.5 Motion Service (Jog Mode)	99
9.3.6 More Setup Screens	100
9.4 Multi axis system	101
9.5 Keypad operation / LED display	101
9.5.1 Keypad operation	102
9.5.2 Status display	102
9.5.3 Standard menu	102
9.5.4 Advanced menu	103
9.6 Error messages	104
9.7 Warning messages	105
9.8 Trouble Shooting	106
<b>10 Expansions</b>	
10.1 Expansion cards for slot 1	107
10.1.1 Guide to installation of expansion cards in slot 1	107
10.1.2 Expansion card -I/O-14/08-	108
10.1.2.1 Front view	108
10.1.2.2 Technical data	108
10.1.2.3 LEDs	108
10.1.2.4 Entering a motion block number (example)	108
10.1.2.5 Connector assignments	109
10.1.2.6 Connection diagram (default)	110
10.1.3 Expansion card -PROFIBUS-	111
10.1.3.1 Front view	111
10.1.3.2 Connection technology	111
10.1.3.3 Connection diagram	111
10.1.4 Expansion card -SERCOS-	112
10.1.4.1 Front view	112
10.1.4.2 LEDs	112
10.1.4.3 Connection technology	112
10.1.4.4 Connection diagram	113
10.1.4.5 Setup	113

	Page
10.1.5 Expansion card - DEVICENET -	114
10.1.5.1 Front view	114
10.1.5.2 Connection technology	114
10.1.5.3 Connection diagram	114
10.1.5.4 Combined module/network status-LED	115
10.1.5.5 Setup	115
10.1.5.6 Bus cable	116
10.1.6 Expansion card -SYNQNET-	117
10.1.6.1 Front view	117
10.1.6.2 NODE ID Switch	117
10.1.6.3 Node LED table	117
10.1.6.4 SynqNet Connection, Connector X21B© (RJ-45)	117
10.1.6.5 Digital inputs/outputs, connector X21A (SubD 15-pin, socket)	118
10.1.6.6 Connection diagram digital inputs/outputs, connector X21A	118
10.1.7 Expansion module -2CAN-	119
10.1.7.1 Installation	119
10.1.7.2 Connection technology	119
10.1.7.3 Connector assignments	120
10.1.7.4 Setup of Station Address and Baud Rate	120
10.2 Expansion cards for slot 2	121
10.2.1 Guide to installation of expansion cards in slot 2	121
10.2.2 Option "F2", controlled Fan	121
10.2.3 Expansion cards "Posl/O" & "Posl/O-Monitor"	122
10.2.3.1 Feedback	123
10.2.3.1.1 ROD (AquadB) 5V (X5, X1)	123
10.2.3.1.2 ROD (AquadB) 5V with Hall (X5, X1)	124
10.2.3.1.3 SSI Encoder (X5, X1)	125
10.2.3.2 Electronic gearing, Master-Slave operation	126
10.2.3.2.1 Connection to a S700 master, 5V signal level (X5)	126
10.2.3.2.2 Connection to stepper motor controllers with 5 V signal level (X5)	126
10.2.3.3 Encoder-Emulation	127
10.2.3.3.1 Incremental encoder output - A quad B (X5)	127
10.2.3.3.2 SSI encoder output (X5)	128
10.2.3.4 Analog Inputs and Outputs	129
10.2.3.4.1 Analog Outputs ANALOG-OUT 1 and 2	129
10.2.3.4.2 Analog Inputs ANALOG-IN 3 and 4	129
10.3 Expansion cards for slot 3	130
10.3.1 Guide to installation of expansion cards in slot 3	130
10.3.2 Option "F2", controlled Fan	130
10.3.3 Expansion cards "Posl/O" & "Posl/O-Monitor"	130
<b>11 Appendix</b>	
11.1 Glossary	131
11.2 Order codes	133
11.2.1 Servo amplifiers	133
11.2.2 Memory Card	133
11.2.3 Expansion cards	134
11.2.3.1 Covers for Option Slots	134
11.2.3.2 Slot 1	134
11.2.3.3 Slot 2	134
11.2.3.4 Slot 3	134
11.2.4 Mating connectors	134
11.3 Repair-/Disposal request Telefax form	135
11.4 Index	136

# 1 General

## 1.1 About this manual

This manual describes the S70101-S72401 series of digital servo amplifiers (standard version: 1.5A ...24A rated current, single channel STO).

A more detailed description of the expansion cards that are currently available and the digital connection to automation systems can be found, together with our application notes, in Acrobat-Reader format on the accompanying CD-ROM (system requirements: WINDOWS, Internet Browser, Acrobat Reader) in different languages.

Technical data and dimensional drawings of accessories such as cables, brake resistors, mains supplies, etc., can be found in the accessories manual.

This documentation can be printed out on any standard commercial printer. A printed copy of the documentation is available from us at extra cost.

More background information can be found in our "Product WIKI", available at [www.wiki-kollmorgen.eu](http://www.wiki-kollmorgen.eu).

## 1.2 Target group

This manual addresses personnel with the following qualifications:

Transport : only by personnel with knowledge of handling electrostatically sensitive components.

Unpacking: only by electrically qualified personnel.

Installation : only by electrically qualified personnel.

Setup : only by qualified personnel with extensive knowledge of electrical engineering and drive technology

The qualified personnel must know and observe the following standards:

IEC 60364 and IEC 60664

national accident prevention regulations

**⚠ WARNING** During operation there are deadly hazards, with the possibility of death, severe injury or material damage. The operator must ensure that the safety instructions in this manual are followed. The operator must ensure that all personnel responsible for working with the servo amplifier have read and understood the product manual.

## 1.3 Hints for the online edition (PDF format)

### Bookmarks:

Table of contents and index are active bookmarks.

### Table of contents and index in the text:

The lines are active cross references. Click on the desired line and the appropriate page is accessed.

### Page/chapter numbers in the text:






Page/chapter numbers with cross references are active. Click at the page/chapter number to reach the indicated target.

## 1.4 Abbreviations used

<b>Abbrev.</b>	<b>Meaning</b>
AGND	Analog ground
xAF	Fuse, x Amps, fast
xAM	Fuse, x Amps, medium
xAT	Fuse, x Amps, slow
BTB/RTO	Ready to operate
CAN	Fieldbus (CANopen)
CE	Communauté Européenne
CLK	Clock signal
COM	Serial interface for a Personal Computer
DGND	Digital ground (for 24V and digital I/O)
Disk	Magnetic storage (diskette, hard disk)
EEPROM	Electrically erasable programmable memory
EMC	Electromagnetic compatibility
F-SMA	Fiber Optic Cable connector according to IEC 60874-2
IGBT	Insulated-gate bipolar transistor
LED	Light-emitting diode
MB	Megabyte
NI	Zero pulse
PC	Personal computer
PL	Performance Level
PLC	Programmable logic control
PWM	Pulse-width modulation
RAM	Volatile memory
R <sub>Brake</sub> / R <sub>B</sub>	Brake resistor
RBext	External brake resistor
RBint	Internal brake resistor
RES	Resolver
ROD	Digital encoder (A quad B)
S1	Continuous operation
SIL	Safety Integrity Level
SIL CL	Safety Integrity Level Claim Limit
STO	Safe torque off (former AS)
V AC	Alternating voltage
V DC	DC voltage
VDE	Society of German Electrical Technicians



## 1.5 Symbols used

Symbol	Indication
	Indicates a hazardous situation which, if not avoided, will result in death or serious injury.
	Indicates a hazardous situation which, if not avoided, could result in death or serious injury.
	Indicates a hazardous situation which, if not avoided, could result in minor or moderate injury.
	Indicates situations which, if not avoided, could result in property damage.
	This is not a safety symbol. This symbol indicates important notes.

## 1.6 Standards used

Standard	Content
ISO 4762	Hexagon socket head cap screws
ISO 11898	Road vehicles — Controller area network (CAN)
ISO 13849	Safety of machinery: Safety-related parts of control systems (former EN 954)
ISO 12100	Safety of machinery: Basic concepts, general principles for design
IEC 60085	Electrical insulation - Thermal evaluation and designation Maintenance
IEC 60204	Safety of Machinery: Electrical equipment of machinery
IEC 60364	Low-voltage electrical installations
IEC 60439	Low-Voltage Switchgear and Controlgear Assemblies
IEC 60529	Protection categories by housing (IP Code)
IEC 60664	Insulation coordination for equipment within low-voltage systems
IEC 60721	Classification of environmental conditions
IEC 61000	Electromagnetic compatibility (EMC)
IEC 61131	Programmable controllers
IEC 61491	Electrical equipment of industrial machines – Serial data link for real-time communications between controls and drives.
IEC 61508	Functional safety of electrical/electronic/programmable electronic safety-related systems
IEC 61800	Adjustable speed electrical power drive systems
IEC 62061	Functional safety of electrical/electronic/programmable electronic safety-related systems
IEC 62079	Preparation of instructions - Structuring, content and presentation
ANSI Z535	Product safety (symbols, colors, information)
UL 840	UL Standard for Safety for Insulation Coordination Including Clearances and Creepage Distances for Electrical Equipment
UL 508C	UL Standard for Safety Power Conversion Equipment

ANSI American National Standard Institute, Inc.

IEC International Electrotechnical Commission

ISO International Organization for Standardization

UL Underwriters Laboratories

## 2 Safety

### 2.1 Safety Instructions

**⚠ DANGER** During operation there are deadly hazards, with the possibility of death, severe injury or material damage. Do not open or touch the equipment during operation. Keep all covers and cabinet doors closed during operation. Touching the equipment is allowed during installation and commissioning for properly qualified persons only.

- During operation, servo amplifiers may have uncovered live components, depending on their level of enclosure protection.
- Control and power connections may be live, even though the motor is not rotating.
- Servo amplifiers may have hot surfaces during operation. Surface can reach temperatures above 80°C.

**⚠ WARNING** There is a danger of electrical arcing with damage to contacts and personal injury. Never undo any electrical connections to the servo amplifier while it is live. Wait at least eight minutes after disconnecting the servo amplifier from the main supply power before touching potentially live sections of the equipment (e.g. contacts) or undoing any connections. Capacitors can still have dangerous voltages present up to eight minutes (5 min @ 1.5A to 12A types, 8 min @ 24A type) after switching off the supply power. To be sure, measure the voltage in the DC Bus link and wait until it has fallen below 40V.

**⚠ CAUTION** Incorrect handling of the servo amplifier can lead to personal injury or material damage. Read this documentation before carrying out the installation and commissioning. It is vital that you keep to the technical data and information on connection requirements (nameplate and documentation). Only properly qualified personnel are permitted to carry out activities such as transport, installation, commissioning and maintenance. Properly qualified persons are those who are familiar with the transport, assembly, installation, commissioning and operation of the product, and who have the appropriate qualifications for their job. The qualified personnel must know and observe the following standards:

- IEC 60364 and IEC 60664
- national accident prevention regulations

**⚠ CAUTION** The manufacturer of the machine must produce a hazard analysis for the machine and take appropriate measures to ensure that unforeseen movements do not result in personal injury or material damage.

**NOTICE** Check the Hardware Revision Number of the product (see product label). This revision number must match the Hardware Revision Number on the cover page of the manual.

**NOTICE** The servo amplifiers contain electrostatically sensitive components which may be damaged by incorrect handling. Discharge your body before touching the servo amplifier. Avoid contact with highly insulating materials (artificial fabrics, plastic film etc.). Place the servo amplifier on a conductive surface.

## 2.2 Use as directed

Servo amplifiers are safety components that are built into electrical plant or machines, and can only be operated as integral components of such plant or machines.

The manufacturer of the machine must generate a hazard analysis for the machine, and take appropriate measures to ensure that unforeseen movements cannot cause injury or damage to any person or property.

If the servo amplifiers are used in residential areas, in business/commercial areas, or in small industrial operations, then additional filter measures must be implemented by the user.

### **Cabinet and Wiring**

The servo amplifiers must **only** be operated in a closed control cabinet, taking into account the ambient conditions defined on page 28. Ventilation or cooling may be necessary to keep the temperature within the cabinet below 40°C.

Use only copper conductors for wiring. The conductor cross-sections can be derived from the standard IEC 60204 (alternatively for AWG cross-sections: NEC Table 310-16, 60°C or 75°C column).

### **Power supply**

Servo amplifiers in the S700 series (overvoltage category III acc. to EN 61800-5-1) can be supplied from 3-phase grounded (earthed) industrial supply networks (TN-system, TT-system with grounded neutral point, no more than 42kA symmetrical rated current at 208V<sup>-10%</sup>, 230V, 240V, 400V or 480V<sup>+10%</sup>).

Connection to other types of supply networks (with an additional isolating transformer) is described on page 58.

Periodic overvoltage between phases (L1, L2, L3) and the housing of the servo amplifier must not exceed 1000V crest. In accordance with IEC 61800, voltage spikes (< 50µs) between phases must not exceed 1000V. Voltage spikes (< 50µs) between a phase and the housing must not exceed 2000V.

### **Motors**

The S700 family of servo amplifiers is **exclusively** intended for driving suitable brush less synchronous servomotors, asynchronous motors and DC motors with control of torque, speed and/or position.

The rated voltage of the motors must be at least as high as the DC bus link voltage divided by  $\sqrt{2}$  produced by the servo amplifier ( $U_{nMotor} \geq U_{DC}/\sqrt{2}$ ).

### **Safety**

Observe the chapter "use as directed" on page 38 when you use the safety function STO.

## 2.3 Prohibited use

Other use than described in chapter 2.2 is not intended and can lead to damage of persons, equipment or things.

The use of the servo amplifier in the following environments is prohibited:

- potentially explosive areas
- environments with corrosive and/or electrically conductive acids, alkaline solutions, oils, vapors, dusts
- directly on non-grounded supply networks or on asymmetrically grounded supplies with a voltage >240V.
- on ships or off-shore applications

Commissioning the servo amplifier is prohibited if the machine in which it was installed,

- does not meet the requirements of the EC Machinery Directive
- does not comply with the EMC Directive or with the Low Voltage Directive
- does not comply with any national directives

The control of holding brakes by the S700 alone may not be used in applications, where personnel security is to be ensured with the brake.

## 3 Approvals

### 3.1 Conformance with UL

This servo amplifier is listed under UL file number **E217428**.

UL-certified servo amplifiers (Underwriters Laboratories Inc.) fulfil the relevant U.S. standards (in this case UL 840 and UL 508C).

This standard describes the fulfillment by design of minimum requirements for electrically operated power conversion equipment, such as frequency converters and servo amplifiers, which is intended to eliminate the risk of fire, electric shock, or injury to persons, being caused by such equipment. The technical conformance with the U.S. standard is determined by an independent UL inspector through the type testing and regular check-ups.

Apart from the notes on installation and safety in the documentation, the customer does not have to observe any other points in direct connection with the UL-certification of the equipment.

#### UL 508C

UL 508C describes the fulfillment by design of minimum requirements for electrically operated power conversion equipment, such as frequency converters and servo amplifiers, which is intended to eliminate the risk of fire being caused by such equipment.

#### UL 840

UL 840 describes the fulfillment by design of air and insulation creepage spacings for electrical equipment and printed circuit boards.

#### 3.1.1 UL Markings

- Use 60/75°C copper wire only for every model of this section.
- Use Class 1 wire only or equivalent.
- Tightening torque for field wiring terminals.  
X0, X8, X9: 0.7 - 0.8Nm
- Use in a pollution degree 2 environment.
- Suitable for use on a circuit capable of delivering not more than 42kA rms symmetrical amperes for a max. voltage of 480 Vac.
- For circuit protection see table below.

Model	Fuse class	Rating	Max. Fuse Rating
S7010	RK5, CC, J, T	600VAC 200kA	6A (Time-Delay)
S7030	RK5, CC, J, T	600VAC 200kA	6A (Time-Delay)
S7060	RK5, CC, J, T	600VAC 200kA	10A (Time-Delay)
S7120	RK5, CC, J, T	600VAC 200kA	15A (Time-Delay)
S7240	RK5, CC, J, T	600VAC 200kA	30A (Time-Delay)

- The drives may be connected together via the “common bus” (DC bus link) based on the instructions on p. 61. The devices may also be grouped from the AC input side based on the max. input fuse (e.g. 3 pcs. S7010 with one common 6A fuse in line).

### 3.1.2 UL Certificate of Compliance

Certificate for servo amplifiers S700 (cover page).

<b>Certificate of Compliance</b>	
Certificate Number 20080911-E217428	Page 1 of 2
Report Reference E217428-2008 September 8	
Issue Date 2008 September 11	
	
<i>Issued to:</i>	<b>DANAHER MOTION GMBH</b> WACHOLDERSTR 40-42 40489 DUSSELDORF GERMANY
<i>This is to certify that representative samples of</i>	<b>POWER CONVERSION EQUIPMENT</b> Power Conversion Equipment, inverters (AC-servo drives), series S700, models S7010, S7030, S7060, S7120 and S7240 may be followed by additional letters or numbers.
<i>Have been investigated by Underwriters Laboratories Inc.® in accordance with the Standard(s) indicated on this Certificate.</i>	
<i>Standard(s) for Safety:</i>	UL 508C - POWER CONVERSION EQUIPMENT, Edition 3
<i>Additional Information:</i>	See Addendum for ratings and dimensions.
<p><b>Only those products bearing the UL Listing Mark should be considered as being covered by UL's Listing and Follow-Up Service.</b></p> <p>The UL Listing Mark generally includes the following elements: the symbol UL in a circle:  with the word "LISTED"; a control number (may be alphanumeric) assigned by UL; and the product category name (product identifier) as indicated in the appropriate UL Directory.</p>	
<b>Look for the UL Listing Mark on the product</b>	
Issued by: <b>Björn Aschemann, Project Engineer</b> Underwriters Laboratories Inc.	Reviewed by: <b>Hagen Dahrmann, Senior Project Engineer</b> Underwriters Laboratories Inc.

### 3.2 EC conformance

Conformance with the EC Machine Directive 2006/42/EC, the EC EMC Directive 2004/108/EC and the Low Voltage Directive 2006/95/EC is mandatory for the supply of servo amplifiers within the European Community.

The servo amplifier meets the noise immunity requirements to the 2nd environmental category (industrial environment). For noise emission the amplifier meets the requirement to a product of the category C2 (motor cable  $\leq 10\text{m}$ ).

#### NOTICE

**This product can cause high-frequency interferences in non industrial environments. This can require measures for interference suppression like additional external EMC filters.**

With a motor cable length of 10m or longer, the servo amplifier meets the requirement to the category C3.

The servo amplifiers have been tested by an authorized testing laboratory in a defined configuration, using the system components that are described in this documentation. Any divergence from the configuration and installation described in this documentation means that you will be responsible for carrying out new measurements to ensure conformance with regulatory requirements.

#### 3.2.1 European Directives and Standards for the machine builder

Servo amplifiers are safety components that are intended to be incorporated into electrical plant and machines for industrial use. When the servo amplifiers are built into machines or plant, the amplifier must not be used until it has been established that the machine or equipment fulfills the requirements of the

- EC Machinery Directive (2006/42/EC)
- EC EMC Directive (2004/108/EC)
- EC Low Voltage Directive (2006/95/EC)

Standards to be applied for conformance with the EC Machinery Directive (2006/42/EC)  
 IEC 60204-1 (Safety and Electrical Equipment in Machines)  
 ISO 12100 (Safety of Machines)

#### CAUTION

**The manufacturer of the machine must generate a hazard analysis for the machine, and must implement appropriate measures to ensure that unforeseen movements cannot cause injury or damage to any person or property. The machine/plant manufacturer must check whether other standards or EC Directives must be applied to the machine/plant.**

Standards to be applied for conformance with the EC Low Voltage Directive(2006/95/EC)  
 IEC 60204-1 (Safety and Electrical Equipment in Machines)  
 IEC 60439-1 (Low-voltage switchgear and controller assemblies)

Standards to be applied for conformance with the EC EMC Directive (2004/108/EC)  
 IEC 61000-6-1 / 2 (Interference Immunity in Residential & Industrial Areas)  
 IEC 61000-6-3 / 4 (Interference Generation in Residential & Industrial Areas)

The manufacturer of the machine/plant is responsible for ensuring that it meets the limits required by the EMC regulations. Advice on the correct installation for EMC can be found in this documentation.

We only guarantee the conformance of the servo system with the standards cited in this chapter if the components (motor, cables, chokes etc.) are those supplied by us.





### 3.3 GOST-R conformance

Certificate for servo amplifiers and accessories (cover page).

СИСТЕМА СЕРТИФИКАЦИИ ГОСТ Р ГОССТАНДАРТ РОССИИ	
	<b>СЕРТИФИКАТ СООТВЕТСТВИЯ</b>
№ РОСС DE.АЯ46.Н46049	
Срок действия с 11.05.2009	по 10.05.2012
	<b>0885845</b>
<b>ОРГАН ПО СЕРТИФИКАЦИИ</b>	
ПРОМЫШЛЕННОЙ ПРОДУКЦИИ РОСТЕСТ- МОСКВА РОСС RU.0001.11АЯ46	
117418 Москва, Нахимовский проспект, 31 тел.(495) 129-26-00; (371) 6721-28-93	
<b>ПРОДУКЦИЯ</b>	
преобразователи частоты (сервоусилители) серий Servostar xxx-yy и S7xxxx с комплектующими согласно приложению к сертификату на двух листах, бланки № 2154074 - № 2154075, серийный выпуск	код ОК 005 (ОКП): 340000
<b>СООТВЕТСТВУЕТ ТРЕБОВАНИЯМ НОРМАТИВНЫХ ДОКУМЕНТОВ</b>	
ГОСТ 12.2.007.0-75, ГОСТ 12.2.007.11-75, ГОСТ 26830-86	код ТН ВЭД: 8504
<b>ИЗГОТОВИТЕЛЬ</b>	
"Danaher Motion GmbH", Wacholderstr. 40-42, 40489 Duesseldorf, Германия	
<b>СЕРТИФИКАТ ВЫДАН</b>	
"Danaher Motion GmbH", Wacholderstr. 40-42, 40489 Duesseldorf, Германия	
<b>НА ОСНОВАНИИ</b>	
протокола испытаний компании DANAHER № 3613 от 16.04.2009г.	
<b>ДОПОЛНИТЕЛЬНАЯ ИНФОРМАЦИЯ</b>	
Схема сертификации 3. Продукция маркируется знаком соответствия. Форма и размеры знака по ГОСТ Р 50460-92. Сертификат без приложений не действителен.	
	Руководитель органа Эксперт
	подпись
	подпись
А.Б.Савкин	инициалы, фамилия
Б.П.Чумаков	инициалы, фамилия
Сертификат не применяется при обязательной сертификации	
<small>Бланк изготовлен ЗАО "ОПЦИОН" (лицензия № 05-05-03/003 МР РФ от 05.11.04 № 1490) 648 6086, 208 7617 г. Москва, 2007 г.</small>	

This page has been deliberately left blank.

## 4 Handling

### 4.1 Transport

- Transport by qualified personnel in the manufacturer's original recyclable packaging
- Avoid shocks while transporting
- Transport temperature: -25 to +70°C, max. rate of change 20K / hour, class 2K3 acc. to EN61800-2
- Transport humidity: max. 95% relative humidity, no condensation, class 2K3 acc. to EN61800-2

#### NOTICE

The servo amplifiers contain electrostatically sensitive components, that can be damaged by incorrect handling. Discharge yourself before touching the servo amplifier. Avoid contact with highly insulating materials, such as artificial fabrics and plastic films. Place the servo amplifier on a conductive surface.

- If the packaging is damaged, check the unit for visible damage. In such an event, inform the shipper and the manufacturer.

### 4.2 Packaging

- Recyclable cardboard with inserts
- Dimensions: S701...S712 (HxWxD) 125x415x350 mm  
S724 (HxWxD) 155x415x350 mm
- Labeling: name plate on outside of box

### 4.3 Storage

- Storage only in the manufacturer's original recyclable packaging
- Max. stacking height: 8 cartons
- Storage temperature: -25 to +55°C, max. rate of change 20K / hour, class 1K4 acc. to EN61800-2
- Storage humidity: 5 ... 95% relative humidity, no condensation, class 1K3 acc. to EN61800-2
- Storage duration:  
Less than 1 year: without restriction.  
More than 1 year: capacitors must be **re-formed** before setting up and operating the servo amplifier. To do this, remove all electrical connections and apply single-phase 230V AC for about 30 minutes to the terminals L1 / L2.

### 4.4 Maintenance, Cleaning

The devices do not require any maintenance, opening the devices invalidates warranty.

Cleaning : — if the casing is dirty: clean with Isopropanol or similar

**NOTICE: Do not immerse or spray**

— Dirt inside the unit: must be cleaned by the manufacturer

— For dirty protective grill on fan: clean with a dry brush

## 4.5 Disassembling

Observe the sequence below, if a servo amplifier has to be disassembled (e.g. for replacement).

### 1. Electrical disconnection

#### **⚠ WARNING**

Switch off the main switch of the switchgear cabinet and the fuses that supply the system.

Wait at least eight minutes after disconnecting the servo amplifier from the main supply power before touching potentially live sections of the equipment (e.g. contacts) or undoing any connections. To be sure, measure the voltage in the DC Bus link and wait until it has fallen below 40V.

Remove the connectors. Disconnect the earth (ground) connection at last.

### 2. Check temperature

#### **⚠ CAUTION**

During operation the heat sink of the servo amplifier may reach temperatures above 80°C (176°F). Before touching the device, check the temperature and wait until it has cooled down below 40°C (104°F).

### 3. Disassembling

Remove the fan housing and disassemble the servo amplifier (reverse of the procedure described in chapter "Mechanical installation).

## 4.6 Repair

Repair of the servo amplifier must be done by the manufacturer. Opening the devices means loss of the guarantee. Use the telefax form on page 135 for repair request. You'll receive the current dispatch information.

Disassemble the equipment as described in chapter 4.5 and send it in the original packaging to the address given in the dispatch information.

## 4.7 Disposal

In accordance to the WEEE-2002/96/EC-Guidelines we take old devices and accessories back for professional disposal. Transport costs are the responsibility of the sender. Use the telefax form on page 135 for disposal request. You'll receive the current dispatch information.

Disassemble the equipment as described in chapter 4.5 and send it in the original packaging to the address given in the dispatch information.

## 5 Package

### 5.1 Package supplied

When an amplifier from the S700 series is ordered (order numbers ⇒p.133), the following is supplied:

- Servo amplifier S700
- Instruction Manual S700
- Online documentation and setup software on CD-ROM
- Mating connectors X0, X3A, X3B, X4A, X4B, X8

**NOTE**

The mating SubD connectors are not part of the package!

**Accessories :** (must be ordered separately, if required; description see accessories manual)

- motor cable (prefabricated) with special shield clamp, or both power connectors separately, with the motor cable as a cut-off length
- feedback cable (prefabricated)  
or both feedback connectors separately, with the feedback cable as a cut-off length
- motor choke 3YL/3YLN, for motor cables longer than 25 meters
- external brake resistor BAR(U)
- communication cable to the PC (⇒ p.85) for setting parameters from a PC
- power cable, control cables, fieldbus cables (as cut-off lengths)

### 5.2 Nameplate

The nameplate depicted below is attached to the side of the servo amplifier. The information described below is printed in the individual fields.

Servo amplifier type	Serial number	Comments	Output current in S1 operation
----------------------	---------------	----------	--------------------------------

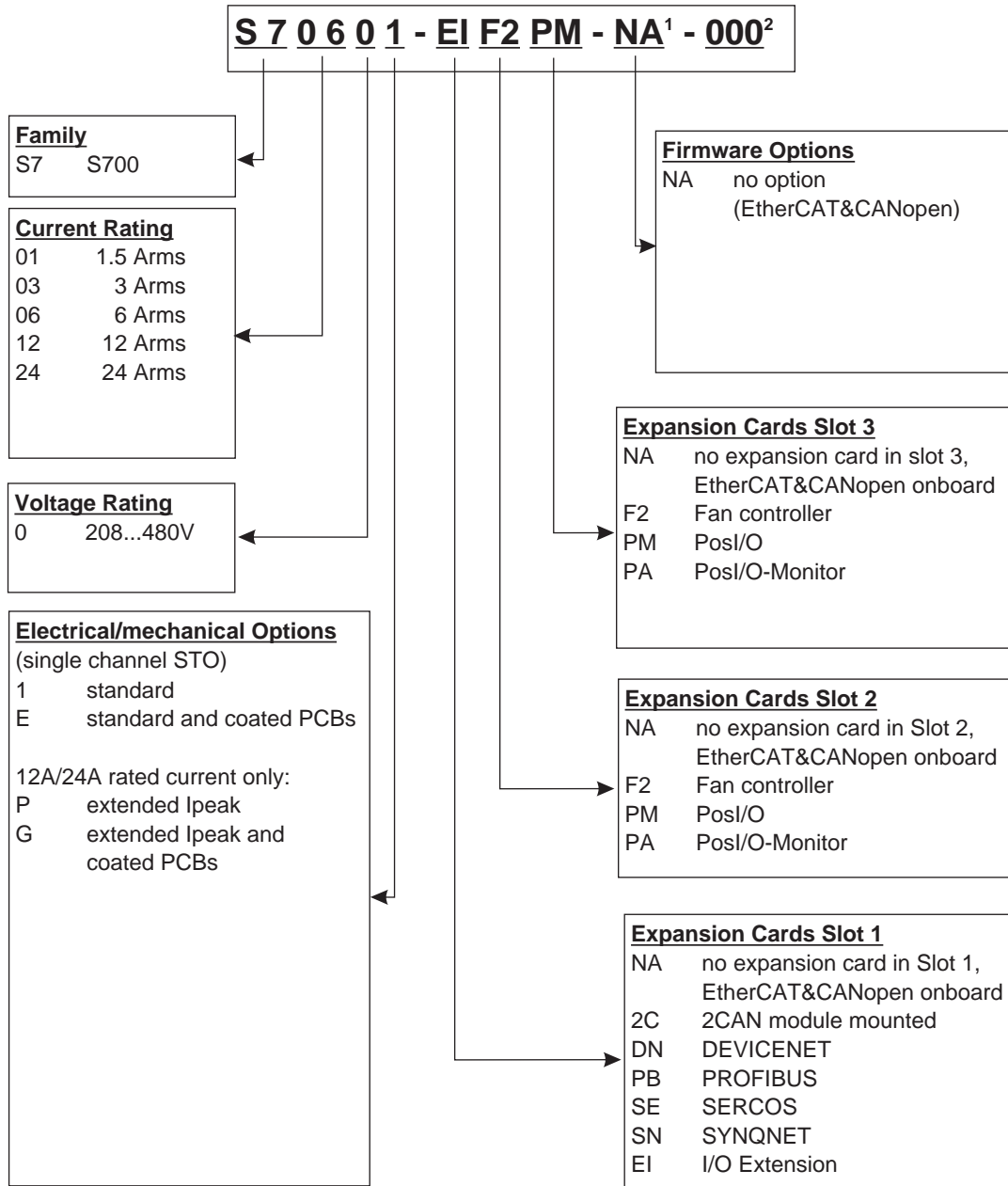
Kollmorgen Europe GmbH Pempelfurtstraße 1 D-40880 Ratingen www.kollmorgen.com	Customer Support Europe Tel. +49 (0)2102 / 93940 Italy Tel. +39 0362 / 594260 North America Tel. +1 540 633 3545	E217428			
Typenbezeichnung	Model Number	Ser. Nr	Ser. No.	Bemerkung	Comment
[Empty Field]	[Empty Field]	[Empty Field]	[Empty Field]	[Empty Field]	[Empty Field]
	Spannungsversorgung	Power Supply	Nennstrom	Nom. Current	
	[Empty Field]	[Empty Field]	[Empty Field]	[Empty Field]	
		Schutzart Encl.Rating	[Empty Field]	Hardware Revision	[Empty Field]
Made in Germany		Umgebungstemp. Ambient temp.	[Empty Field]	Software Version	[Empty Field]

2D bar code	Electrical supply Installed load	Enclosure Rating	max. ambient temperature	Hardware Revision	Software Version
-------------	-------------------------------------	---------------------	-----------------------------	----------------------	---------------------

### 5.3 Part number scheme

The part number is identical with the order code.



- 1 is void with standard
- 2 is void with standard, additional coding defines customer specific specials.

**Example 1:** S70601-EIF2PM-NA-000

S7 S700  
06 6A rated current  
0 208...480V rated voltage  
1 no electr./mech. option  
EI I/O expansion card in Slot 1  
F2 Expansion card Controlled Fan in Slot 2  
PM PosI/O expansion card in Slot 3  
NA Standard (EtherCAT&CANopen onboard)  
000 no customer specific specials

**Example 2:** S7120P-EIF2PA-NA-000

S7 S700  
12 12A rated current  
0 208...480V rated voltage  
P extended Ipeak  
EI I/O expansion card in Slot 1  
F2 Expansion card Controlled Fan in Slot 2  
PA PosI/O-Monitor card in Slot 3  
NA Standard (EtherCAT & CANopen onboard)  
000 no customer specific specials

## 6 Technical description

### 6.1 The S700 family of digital servo amplifiers

#### Standard version

- Large supply voltage range: 3 x 208V<sub>-10%</sub> ... 3 x 480V<sup>+10%</sup>
- Overvoltage category III acc. to IEC 61800-5-1
- 2 housing dimensions:

S701...S712	70 mm
S724	100 mm
- CANopen onboard
- EtherCAT onboard
- RS232 and 24V pulse direction interface onboard
- Resolver-, Encoder-, AquadB Encoder-, ComCoder-evaluation onboard
- Position controller onboard
- Safe Stop STO (single channel) onboard (SIL CL 2, PLd, CAT 3)
- 3 frontside slots for expansion cards
- Memory Card slot onboard
- Synchronous servomotors, linear motors, asynchronous motors and DC motors can be used

#### Power section

- Directly on grounded 3-phase supply, 208V<sub>-10%</sub> ... 480V<sup>+10%</sup>, 50/60 Hz
- TN-network or TT-network with grounded neutral point, 42kA max. symmetrical current rating, connection to other supply types only via isolating transformer, ⇒ p.58
- B6 bridge rectifier, integral supply filter and soft-start circuit
- Single-phase supply operation possible (e.g. for setup)
- Fusing (e.g. fusible cutout) to be provided by the user
- Shielding All shielding connections are made directly on the amplifier
- Output stage IGBT module with floating current measurement
- Brake circuit with dynamic distribution of the regenerated power between several amplifiers on the same DC bus link circuit. Internal brake resistor as standard, external brake resistors if required.
- DC bus link voltage 260...900 V DC, can be connected in parallel.
- Interference suppression filters are integrated for the electrical supply feed and the 24V auxiliary supply voltage (with motor cable ≤ 10m for C2 as per IEC 61800-3, with motor cable < 10m for C3 as per IEC 61800-3).

**Integrated safety**

- Appropriate insulation/creepage distances and electrical isolation ensure safe electrical separation, as per IEC 61800-5-1, between the power input / motor connections and the signal electronics.
- Soft-start, overvoltage detection, short-circuit protection, phase-failure monitoring.
- Temperature monitoring of the servo amplifier and motor (if our motors and prefabricated cables are used).
- Safe stop (single channel, SILCL 2 according to IEC 62061, PLd CAT 3 acc. to ISO13849-1) ⇒ p.37.

**Auxiliary supply voltage 24V DC**

- Electrically isolated, internal fusing (amplifier and fan/brake separated), from an external 24V DC power supply unit.
- Separate 24V supply input for digital outputs

**Operation and parameter setting**

- With our user-friendly setup software DRIVEGUI.EXE, for setup via the serial interface of a PC.
- If no PC is available: direct operation by two keys on the servo amplifier and a 3-character LED display.
- Fully programmable via RS232 interface.
- Read/write access to parameter records and firmware via smartcard.

**Completely digital control**

- Digital current controller (space vector, pulse-width modulation, 62.5 µs)
- Adjustable digital speed controller (62.5 µs)
- Integrated position controller, with adaptation possibilities for all applications (250 µs, optionally 125 µs)
- Integrated 24V step/direction interface for connecting a servomotor to a stepper controller

**Inputs/Outputs**

- 2 programmable analog inputs ⇒ p. 81
- 4 programmable digital inputs ⇒ p. 82
- 2 programmable digital inputs/outputs (direction selectable) ⇒ p. 84
- programmable logical combinations of digital signals
- 1 input Enable ⇒ p. 83
- 1 input STO Enable ⇒ p. 82



## **Expansions**

### Slot 1

Expansion cards in slot 1 can be combined with F2 Option in slot 2. More combinations of slot 1 and slot 2 expansion cards are not possible.

- I/O-14/08 expansion card, ⇒ p. 108
- PROFIBUS expansion card, ⇒ p. 111
- SERCOS expansion card, ⇒ p. 112
- DeviceNet expansion card, ⇒ p. 114
- SynqNet expansion card, ⇒ p. 117
- -2CAN- expansion module, separated connectors for CAN bus and RS232 ⇒ p. 119

### Slot 2

- PosI/O expansion card, ⇒ p. 122
- PosI/O-Monitor expansion card, ⇒ p. 122
- F2 Option, controlled fan, later insertion not possible, ⇒ p. 121, can be combined with expansion cards in slot 1.

### Slot 3

- PosI/O expansion card, ⇒ p. 130
- PosI/O-Monitor expansion card, ⇒ p. 130
- F2 Option, controlled fan, later insertion not possible, ⇒ p. 130

Several third-party expansion cards (ModBus, LightBus, FIP-IO etc. please contact the manufacturer for further information)

## **Macro programming**

More information can be found in our Product-WIKI ( [www.wiki-kollmorgen.eu](http://www.wiki-kollmorgen.eu)).

- 62.5µs / 250µs / 1ms / 4ms / 16ms / IDLE / IRQ
- 128 kByte memory
- IEC 61131 structured text
- 400 easy instructions every 62.5 µs
- CAN objects for multi axis control

6.2 Technical data

6.2.1 Rated Data

Electrical data	DIM	S70101	S70301	S70601	S71201/ S7120P	S72401/ S7240P
Rated supply voltage (grounded supply, phase to phase)	V~	3 x 208V <sub>-10%</sub> ... 3 x 480V <sub>+10%</sub> , 50/60 Hz				
Rated input power for S1 operation	kVA	1.1	2.2	4.5	9	18
Permitted switch on/off frequency	1/h	30				
Auxiliary voltage supply	—	⇒ p.27				
Rated DC bus link voltage	V=	290 - 675				
Rated output current (rms value, ± 3%)						
at 3x208V	Arms	2.5	5	6	12	24
at 3x230V	Arms	2	4	6	12	24
at 3x400V	Arms	1.5	3	6	12	24
at 3x480V	Arms	1.5	3	6	12	24
Peak output current (for approx.2s, ± 3%)	Arms	4,5	9	18	24/30	48/72
Peak output current (for approx.5s, ± 3%)	Arms	3	6	12	24	48
Switching frequency of output stage	kHz	8				
Voltage rise speed dU/dt, (measured without connected motor, see hints on page 62!)						
at 3x208V	kV/μs	3.0				
at 3x230V	kV/μs	3.3				
at 3x400V	kV/μs	5.7				
at 3x480V	kV/μs	6.9				
Technical data for brake circuit	—	⇒ p.31				
Threshold for overvoltage switch-off	VDC	⇒ p.31				
Motor inductance min.						
at 3x208V	mH	7.7	3.9	1.9	1.2	0.7
at 3x230V	mH	8.5	4.3	2.1	1.3	0.8
at 3x400V	mH	14.8	7.4	3.7	2.2	1.4
at 3x480V	mH	17.8	8.9	4.4	2.7	1.7
Motor inductance max.	mH	Consult our customer support				
Form factor of the output current (ra- ted conditions, min. load inductance)	—	1.01				
Bandwidth of current controller	kHz	> 1,2 (bis 5)				
Residual voltage drop at rated current	V	4				6
Thermal dissipation, output stage disabled	W	max. 20				max.25
Thermal dissipation at rated current (incl. PSU losses, without brake dissipation)	W	40	70	100	160	330
Noise emission max.	dB(A)	43	43	58	65	65
<b>Mechanical data</b>						
Weight	kg	4.4				5.5
Height, without connectors	mm	345				348
Height, with connectors	mm	379				382
Width	mm	70				100
Depth, without connectors	mm	243				243
Depth, with connectors	mm	285				285

### 6.2.2 Inputs / outputs, aux. voltage supply

Interface	electr. data
Analog inputs 1/2	±10V
Max. common-mode voltage	±10V
Digital control inputs	as per IEC 61131-2 type1, max. 30VDC, 15mA
Digital control outputs	as per IEC 61131-2 type1, max. 30VDC, 100mA
BTB/RTO output, relay contacts	max. 30VDC, max 42VAC 500mA
24V-IO for digital outputs	20V - 30V
Auxiliary supply voltage, electrically isolated current without / with motor brake	24V (-0% +15%) 1A / 3A
Min./max. output current to brake	0.15A / 2A

### 6.2.3 Connectors

Connector	Type	max. cross section* <sup>1</sup>	permiss. current* <sup>2</sup>	permiss. voltage* <sup>3</sup>
Control signals X3A/B/C	Mini-Combicon connector	1,5mm <sup>2</sup>	4A	160V
Aux. voltage X4A/B	Mini-Combicon connector	1,5mm <sup>2</sup>	4A	160V
Power signals X0, X8, X9	Power-Combicon connector	6mm <sup>2</sup>	24A	1000V
Resolver input X2	SubD 9pin (socket)	0,5mm <sup>2</sup>	1A	<100V
Encoder input X1	SubD15pin (socket)	0,5mm <sup>2</sup>	1A	<100V
PC interface, CAN X6	SubD 9pin (plug)	0,5mm <sup>2</sup>	1A	<100V
Encoder-Emulation, ROD/SSI X5 (optional)	SubD 9pin (plug)	0,5mm <sup>2</sup>	1A	<100V

\*1 single-line connection

\*2 single-line connection with recommended conductor cross section (chapter 6.2.7)

\*3 rated voltage with pollution level 2

### 6.2.4 Recommended tightening torques

Connector	Tightening torque
X0, X8, X9	0.7 to 0.8 Nm
Grounding bolt	3.5 Nm

### 6.2.5 Fusing

#### Internal fusing, wire fuse or electronic

Circuit	Internal fuse
Auxiliary voltage 24V	4 AM / 4 AM
Brake resistor	electronic
STO-Enable	2 AM

#### External fusing by user (US fuses in brackets)

Wire fuses or similar	S701 / S703	S706	S712	S724
AC supply feed FN <sub>1/2/3</sub>	6 AT (6A)*	10 AT (10A)*	16 AT (15A)*	30/35 AT (30A)*
24V feed FH <sub>1/2</sub>	max. 8 AT (8A)			
Brake resistor FB <sub>1/2</sub>	10 AT**	10 AT**	10 AT**	15 AT**

EU fuses: types gRL or gL, 400V/500V, T means time-delay

\* US fuses: class RK5 or CC or J or T, 600VAC 200kA, time-delay

\*\* Bussmann FWP-xx

Tips and detailed information can be found in the Product-Wiki on page "[Fuses](#)"

6.2.6 Ambient conditions, ventilation, mounting position

Storage hints	⇒ p.19
Transport hints	⇒ p.19
Ambient temperature in operation	0...+40°C under rated conditions +40...+55°C with power derating 2.5% / °C
Humidity in operation	rel. humidity 85%, no condensation
Site altitude	up to 1000 meters a.m.s.l. without restriction 1000...2500 meters a.m.s.l. with power derating 1.5% / 100meters
Pollution level	Pollution level 2 as per IEC 60664-1
Vibrations	Class 3M1 according to IEC 60721-3-3
Enclosure protection	IP 20 according to IEC 60529
Mounting position	vertical ⇒ p.46
Ventilation	built-on fan

**NOTICE** The servo amplifier shuts down (error F08/F13, see p.104, motor has no torque) in case of excessively high temperature in the control cabinet. Make sure that there is sufficient forced ventilation within the control cabinet.

6.2.7 Conductor cross-sections

Following IEC 60204, we recommend for **single-axis systems**:

Interface	Cross section	Techn. requirements
AC connection	S701...706: 1.5 mm <sup>2</sup> (14awg) S712: 2.5 mm <sup>2</sup> (12awg) S724: 4 mm <sup>2</sup> (12awg)	600V,80°C
DC bus link Brake resistor	S701...706: 1.5 mm <sup>2</sup> (14awg) S712...724: 2.5 mm <sup>2</sup> (12awg)	1000V, 80°C, shielded for lengths >0.20m
Motor cables without choke, max. 25 m	S701...706: 1...1.5 mm <sup>2</sup> (14awg) S712: 2.5 mm <sup>2</sup> (12awg) S724: 4 mm <sup>2</sup> (12awg)	600V,80°C, shielded, capacitance <150pF/m
Motor cables with choke3YL, 25 - 50m*	S701...706: 1 mm <sup>2</sup> (14awg) S712: 2.5 mm <sup>2</sup> (12awg) S724: 4 mm <sup>2</sup> (12awg)	600V,80°C, shielded, capacitance <150pF/m
Resolver, motor thermal control, max.100m*	4x2x0.25 mm <sup>2</sup> (22awg)	twisted pairs, shielded, capacitance <120pF/m
Encoder, motor thermal control, max. 50m*	7x2x0.25 mm <sup>2</sup> (22awg)	twisted pairs, shielded
ComCoder, motor thermal control, max. 25m	8x2x0.25 mm <sup>2</sup> (22awg)	twisted pairs, shielded
Setpoints, AGND, max 30m	0.25 mm <sup>2</sup> (22awg)	twisted pairs, shielded
Control signals, BTB, DGND, max 30m	0.5 mm <sup>2</sup> (20awg)	
Holding brake (motor)	min. 0.75 mm <sup>2</sup> (18awg)	600V, 80°C, shielded, <b>check voltage drop</b>
+24 V / XGND, max 30m	max. 2.5 mm <sup>2</sup> (12awg)	<b>check voltage drop</b>

**NOTICE** For multi-axis systems, observe the specific operating conditions for your system. To reach functional safety with the max. permitted cable length, observe cable requirements ⇒ p. 53.

\* Kollmorgen North America supplies cables up to 39 meters  
Kollmorgen Europe supplies cables up to max. length

### 6.3 Motor holding brake

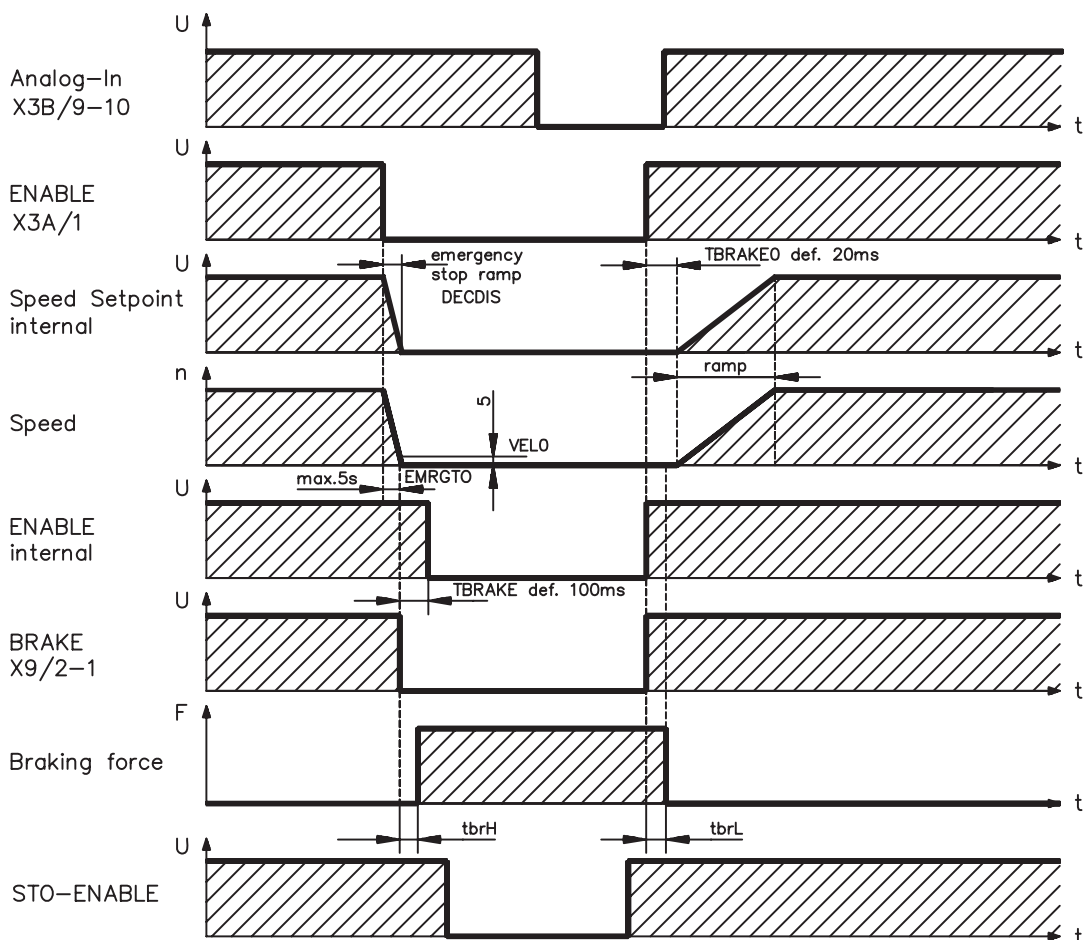
A 24V / max. 2A holding brake in the motor can be controlled directly by the amplifier.

**CAUTION** This function does not ensure personnel safety! Hanging load (vertical axes) require an additional mechanical brake which must be safely operated.

#### NOTICE

The brake only works with sufficient voltage level ( $\Rightarrow$  p.27). Check voltage drop, measure the voltage at brake input and check brake function (brake and no brake).

The brake function must be enabled through the BRAKE setting (screen page: Motor). In the diagram below you can see the timing and functional relationships between the ENABLE signal, speed setpoint, speed and braking force. All values can be adjusted with parameters, the values in the diagram are default vales.



During the internal ENABLE delay time of 100ms (DECDIS), the speed setpoint of the servo amplifier is internally driven down an adjustable ramp to 0V. The output for the brake is switched on when the speed has reached 5 rpm (VELO), at the latest after 5 s (EMRGTO).

The rise ( $f_{brH}$ ) and fall ( $f_{brL}$ ) times of the holding brake that is built into the motor are different for the various types of motor (see motor manual).

A description of the interface can be found on page 62.

## 6.4 LED display

A 3-character LED display indicates the status of the amplifier after switching on the 24V supply (⇒ p.103). When the keys on the front panel are used, the parameter and function numbers are shown, as well as the numbers for any errors and warnings that may occur (⇒ p.104ff).

## 6.5 Grounding system

AGND — analog inputs, internal analog ground

DGND — 24V-IO, digital inputs/outputs, optically isolated.

GND — internal digital ground, encoder Emulation, RS232, CAN

XGND — 24V supply, STO Enable, ventilator, brake

## 6.6 Dynamic braking (brake circuit)

During braking with the aid of the motor, energy is fed back into the servo amplifier. This regenerative energy is dissipated as heat in the brake resistor. The brake resistor is switched in by the brake circuit.

The setup software can be used to adapt the brake circuit (thresholds) according to the electrical supply voltage.

Our customer service can help you with the calculation of the brake power that is necessary for your system. A [simple method](#) is described in the "Product Wiki" which is accessible at [www.wiki-kollmorgen.eu](http://www.wiki-kollmorgen.eu). A description of the interface can be found on page 60.

### Functional description:

1.- Individual amplifiers, **not coupled** through the DC bus link circuit (DC+, DC-)

When the energy fed back from the motor has an average or peak power that exceeds the preset level for the brake power rating, then the servo amplifier generates the warning "n02 brake power exceeded" and the brake circuit is switched off.

The next internal check of the DC bus link voltage (after a few milliseconds) detects an overvoltage and the output stage is switched off, with the error message "Overvoltage F02" (⇒ p.104).

The BTB/RTO contact (terminals X3B/14,15) will be opened at the same time (⇒p.84)

2.- Several servo amplifiers **coupled** through the DC bus link (DC+, DC-)

Using the built-in brake circuit, several amplifiers of the same series can be operated off a common DC bus link (**observe page 61**), without requiring any additional measures.

90% of the **combined power** of all amplifiers is always available for peak and continuous power. The switch-off on overvoltage takes place as described under 1. (above) for the amplifier that has the lowest switch-off threshold (resulting from tolerances).

Technical data of the brake circuits depend on the amplifiers type and the mains voltage situation. See table on the next page.

## Technical Data:

Brake circuit			Supply voltage		
Type	Rated data	DIM	230 V	400 V	480 V
S70101	Switch-on threshold of brake circuit	V	400	720	840
	Overvoltage F02	V	455	800	900
	Internal brake resistor (R <sub>Bi</sub> )	Ohm	33		
	Continuous power internal brake resistor (R <sub>Bi</sub> )	W	50		
	Max. brake power (average for 1s)	kW	0,9	0,85	0,86
	Pulse brake power	kW	4	15	21
	External brake resistor (R <sub>Be</sub> ), optional	Ohm	33		
	Continuous brake power external (R <sub>Be</sub> )	kW	0,3		
S70301	Switch-on threshold of brake circuit	V	400	720	840
	Overvoltage F02	V	455	800	900
	Internal brake resistor (R <sub>Bi</sub> )	Ohm	33		
	Continuous power internal brake resistor (R <sub>Bi</sub> )	W	50		
	Max. brake power (average for 1s)	kW	0,9	0,85	0,86
	Pulse brake power	kW	4	15	21
	External brake resistor (R <sub>Be</sub> ), optional	Ohm	33		
	Continuous brake power external (R <sub>Be</sub> )	kW	1		
S70601	Switch-on threshold of brake circuit	V	400	720	840
	Overvoltage F02	V	455	800	900
	Internal brake resistor (R <sub>Bi</sub> )	Ohm	33		
	Continuous power internal brake resistor (R <sub>Bi</sub> )	W	75		
	Max. brake power (average for 1s)	kW	1,38	1,3	1,26
	Pulse brake power	kW	4	15	21
	External brake resistor (R <sub>Be</sub> ), optional	Ohm	33		
	Continuous brake power external (R <sub>Be</sub> )	kW	1		
S71201/S7120P	Switch-on threshold of brake circuit	V	400	720	840
	Overvoltage F02	V	455	800	900
	Internal brake resistor (R <sub>Bi</sub> )	Ohm	33		
	Continuous power internal brake resistor (R <sub>Bi</sub> )	W	100		
	Max. brake power (average for 1s)	kW	1,93	1,75	1,7
	Pulse brake power	kW	4	15	21
	External brake resistor (R <sub>Be</sub> ), optional	Ohm	33		
	Continuous brake power external (R <sub>Be</sub> )	kW	1,5		
S72401/SS7240P	Switch-on threshold of brake circuit	V	400	720	840
	Overvoltage F02	V	455	800	900
	Internal brake resistor (R <sub>Bi</sub> )	Ohm	23		
	Continuous power internal brake resistor (R <sub>Bi</sub> )	W	200		
	Max. brake power (average for 1s)	kW	3,93	3,55	3,45
	Pulse brake power	kW	6	23	30
	External brake resistor (R <sub>Be</sub> ), optional	Ohm	23		
	Continuous brake power external (R <sub>Be</sub> )	kW	4		

**NOTE**

Suitable external brake resistors can be found in our accessories manual.

## 6.7 Switch-on and switch-off behavior

This chapter describes the switch-on and switch-off behavior of the S700 and the steps required to achieve operational stopping or emergency stop behavior that complies with standards.

**NOTE**

The servo amplifier's 24 V supply must remain constant. The ASCII commands ACTFAULT (error response) and STOPMODE (ENABLE signal response) dictate how the drive will behave.

ACTFAULT / STOPMODE	Behavior (see also ASCII reference in the <a href="#">online help of the setup software</a> )
0	Motor coasts to a standstill in an uncontrolled manner
1 (default)	Motor is braked in a controlled manner

### Behavior during a power failure

The servo amplifiers use an integrated circuit to detect if one or more input phases (power supply feed) fail. The behavior of the servo amplifier is set using the setup software: Under "Response to Loss of Input Phase" (PMODE) on the **Basic Setup** screen, select:

- **Warning** if the higher-level control system is to bring the drive to a standstill: Warning n05 is output if an input phase is missing, and the motor current is limited to 4 A. The servo amplifier is not disabled. The higher-level control system can now selectively end the current cycle or start bringing the drive to a standstill. Therefore, the error message "MAINS BTB, F16" is output on a digital output of the servo amplifier and evaluated by the control system, for instance.
- **Error message** if the servo amplifier is to bring the drive to a standstill: Error message F19 is output if an input phase is missing. The servo amplifier is disabled and the BTB contact opens. Where the factory setting is unchanged (ACTFAULT=1), the motor is braked using the set "EMERGENCY STOP RAMP".

### Behavior when undervoltage threshold is reached

If the undervoltage threshold is undershot in the DC bus link (the threshold value depends on the type of servo amplifier), the error message "UNDERVOLTAGE, F05" is displayed. The drive response depends on the ACTFAULT/STOPMODE setting.

### Behavior with enabled "holding brake" function

Servo amplifiers with an enabled holding brake function have a special procedure for switching off the output stage (⇒ p. 29). Removing the ENABLE signal triggers electrical braking.

As with all electronic circuits, the general rule applies that there is a possibility of the internal "holding brake" module failing. Personnel safety, e.g. with hanging load (vertical axes), requires an additional mechanical brake which must be safely operated.

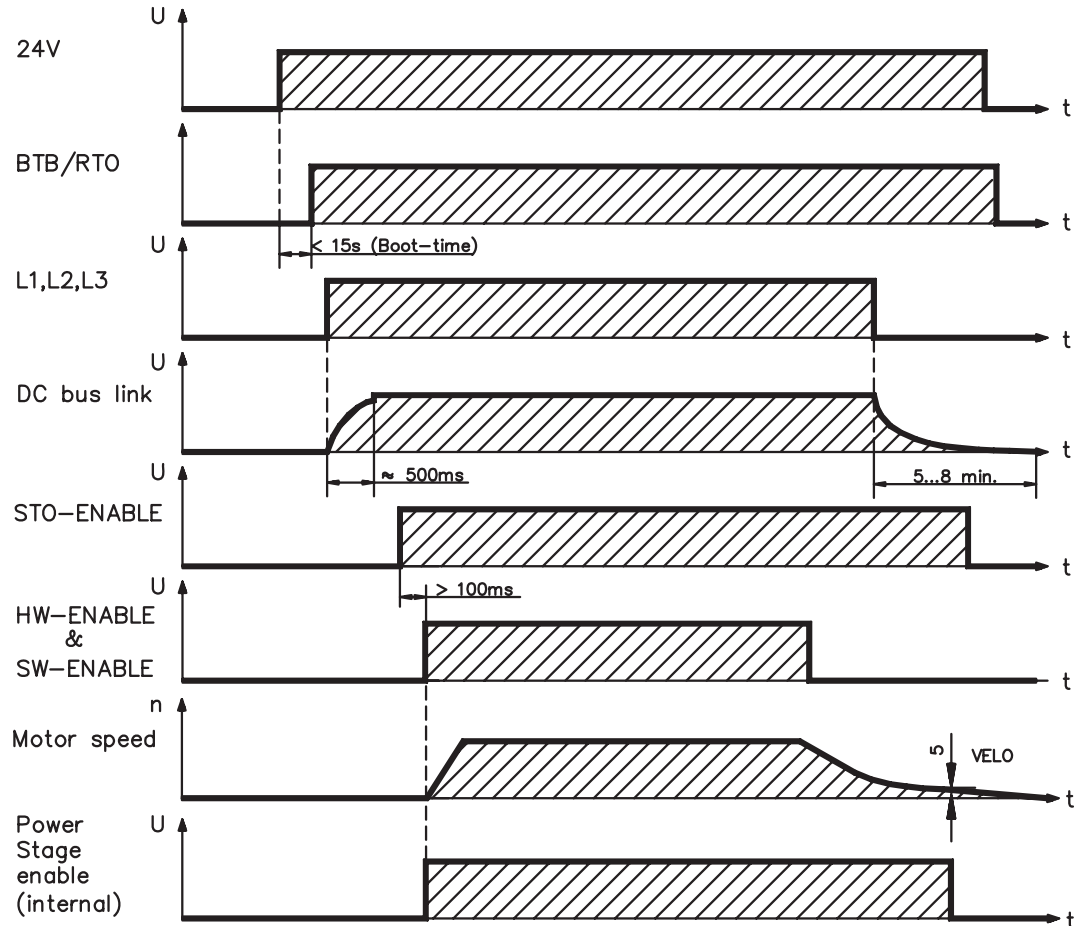
### Behavior of the safety function STO

With the personnel safe function STO, the drive can be secured on standstill using its internal electronics so that even when power is being supplied, the drive shaft is protected against unintentional restart. The chapter "Safety function STO" describes how to use the STO function. See page 37 onwards.



### 6.7.1 Behavior in standard operation

The behavior of the servo amplifier always depends on the current setting of a number of different parameters (e.g., ACTFAULT, VBUSMIN, VELO, STOPMODE, etc. see [online help](#)). The diagram below illustrates the correct functional sequence for switching the servo amplifier on and off.

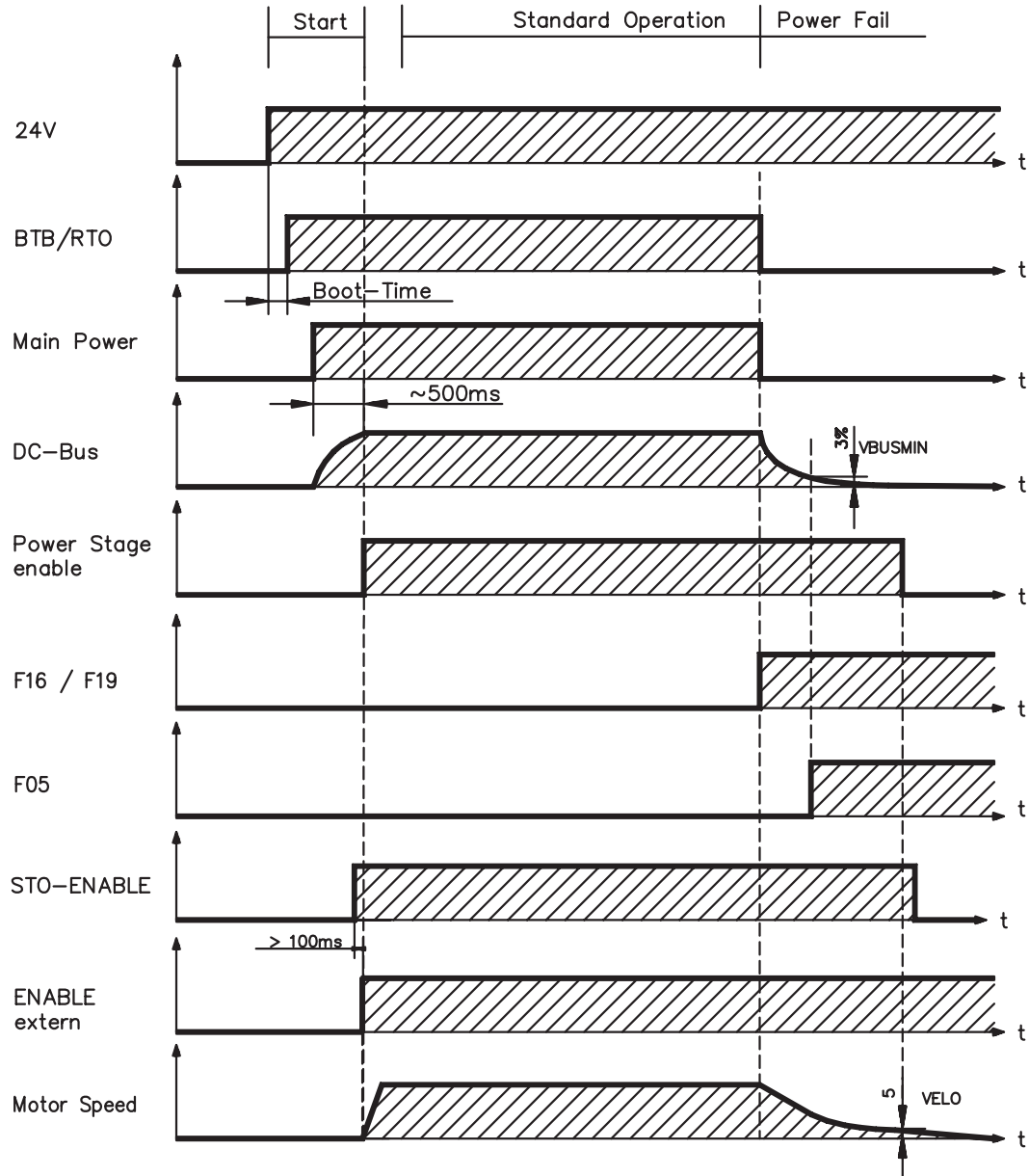


Devices which are equipped with a selected "Brake" function use a special sequence for switching off the output stage ( $\Rightarrow$  p.29).

The built-in safety function STO can be used to switch off the drive, so that personnel safety is ensured at the drive shaft ( $\Rightarrow$  p. 37).

6.7.2 Behavior in the event of an error (with standard setting)

The behavior of the servo amplifier always depends on the current setting of a number of different parameters (e.g., ACTFAULT, VBUSMIN, VELO, STOPMODE, etc.; see [online help](#)). The diagram shows the startup procedure and the procedure that the internal control system follows in the event of one or more electrical supply phases failing, assuming that the standard parameter settings apply.



(F16/F19 = error messages Mains BTB /input phase, F05 = error message Undervoltage)

Even if there is no intervention from an external control system (in the example, the ENABLE signal remains active), the motor is immediately braked using the emergency stop ramp if an input phase error is detected and assuming that no changes have been made to the factory setting (ACTFAULT=1).

## 6.8 Stop- / Emergency Stop- Function to IEC 60204

**NOTE**

With the personnel safe function STO (see page 37 onwards) the drive can be secured on standstill (torque-free) using its internal electronics so that even when power is being supplied, the drive shaft is protected against unintentional restart (SIL CL 2 according to IEC 62061, PLd CAT 3 according to ISO 13849-1).

**NOTE**

The parameters "STOPMODE" and "ACTFAULT" must be set to 1 in order to implement the stop and emergency stop categories. If necessary, change the parameters via the terminal screen of the setup software and store the data in the EEPROM.

Examples for implementation can be found in the Product WIKI on page "[Stop and Emergency Stop Function](#)".

### 6.8.1 Stop: Standards

The Stop function is used to shut down the machine in normal operation. The Stop functions are defined by IEC 60204.

- Category 0:** Shut-down by immediate switching-off of the energy supply to the drive machinery (i.e. an uncontrolled shut-down);
- Category 1:** A controlled shut-down, whereby the energy supply to the drive machinery is maintained to perform the shut-down, and the energy supply is only interrupted when the shut-down has been completed;
- Category 2:** A controlled shut-down, whereby the energy supply to the drive machinery is maintained.

The Stop Category must be determined by a risk evaluation of the machine. In addition, suitable means must be provided to guarantee a reliable shut-down.

Category 0 and Category 1 Stops must be operable independently of the operating mode, whereby a Category 0 Stop must have priority. Stop functions must be implemented by **disconnection** of the appropriate circuitry, and have priority over assigned start functions.

If necessary, provision must be made for the connection of protective devices and lock-outs. If applicable, the Stop function must signal its status to the control logic. A reset of the Stop function must not create a hazardous situation.

Examples for implementation can be found in the Product WIKI on page "[Stop and Emergency Stop Function](#)".

## 6.8.2 Emergency Stop: Standards

The emergency Stop function is used for the **fastest possible shut-down** of the machine in a dangerous situation. The Emergency Stop function can be triggered by the actions of a single person. It must be fully functional and available at all times. The user must not have to work out how to operate this mechanism.

The Emergency Stop function is defined by IEC 60204.

**In addition** to the requirements for Stop, the emergency Stop must fulfil the following requirements:

- emergency stop must have priority over all other functions and controls in all operating situations;
- the energy supply to any drive machinery that could cause dangerous situations must be switched off as fast as possible, without causing any further hazards (e.g. by using mechanical latching devices that do not require an external supply of energy, by counter-current braking in Stop Category 1);
- the reset must not initiate a restart.

If necessary, provision must be made for the additional connection of emergency stop devices (see IEC 60204, "Requirements for emergency stop devices"). The Emergency Stop must be effective as a stop of either Category 0 or Category 1.

The Emergency Stop Category must be determined by a risk evaluation of the machine.

### **Category 0**

Only hard-wired, electro mechanical components may be used for the Category 0 Emergency Stop function. It must not be triggered using switching logic (hardware or software), by transferring commands via a communication network, or via a data link.

The drive must be shut down using an electro mechanical circuit. If the connected servo motor has an integrated brake, this must always be controlled by an electro mechanical circuit as well.

### **Category 1**

With the Category 1 Emergency Stop function, there must be absolute certainty in terms of the power supply for the machine drives being switched off (i.e., secured) using electro mechanical components. Additional Emergency Stop equipment may be connected. Bringing the motor to a standstill by interrupting the mains supply and using controlled electronic braking. The 24 V supply for the servo amplifier must remain constant. The issue of which circuit should be used is highly dependent on the requirements of the application at hand.

In most servo motors a brake has only the function of a holding brake. To ensure an emergency stop function, the braking torque that is required must be checked. If the holding brake fulfills the dynamic requirements, it must be taken into account that this application will cause increased wear.

Examples for implementation can be found in the Product WIKI on page "[Stop and Emergency Stop Function](#)".

## 6.9 Safety function STO

A frequently required application task is the protection of personnel against the restarting of drives. The S7xx01 servo amplifier offers, even in the basic version, a single channel STO function (**Safe Torque Off**) that can be used as a personnel safe restart lock.

The safety function STO can be operated from a safe external control (semiconductor output or driven contact).

The STO safety concept is certified. The safety circuit concept for realizing the safety function "Safe Torque Off" in the servo amplifiers S700 is suited for SIL CL 2 according to IEC 62061 and PLd CAT 3 according to ISO 13849-1.

### **Advantages of the safety function STO :**

- the DC bus link remains charged up, since the mains supply line remains active
- only low voltages are switched, so there is no contact wear
- very little wiring is required
- single or dual channel control possible

### 6.9.1 Safety characteristic data

The subsystems (servo amplifiers) are totally described for safety technics with the characteristic data SIL CL, PFH<sub>D</sub> and T<sub>M</sub>.

Device	Operation mode	EN 13849-1	EN 62061	PFH [1/h]	T <sub>M</sub> [Year]
STO-Enable	STO single channel	PLd, CAT 3	SIL CL 2	0	20

## 6.9.2 Safety instructions

**▲ WARNING** Drives with a suspended load must have an additional safe mechanical blocking (e.g. by a motor-holding brake). The amplifier cannot hold the load when STO is active. That could result in serious injury.

**▲ CAUTION** When STO is engaged during operation by separating input STO-Enable from 24VDC, the motor runs down out of control and the servo amplifier displays the error F27.  
There is no possibility of braking the drive controlled. If a controlled braking before the use of STO is necessary, the drive must be braked and the input STO-ENABLE have to be separated from +24 VDC time-delayed.

**▲ CAUTION** If the STO is automatically activated by a control system, then make sure that the output of the control is supervised for possible malfunction. This can be used to prevent a faulty output from unintentionally activating the function STO. Erroneous engaging will not be recognized.

**▲ CAUTION** The function STO does not provide an electrical separation from the power output. If access to the motor power terminals is necessary, the servo amplifier must be disconnected from mains supply considering the discharging time of the intermediate circuit. There is a danger of electrical shock with personal injury.

### NOTICE

Keep to the following functional sequence when STO is used :

1. Brake the drive in a controlled manner (speed setpoint = 0V)
2. When speed = 0 rpm, disable the servo amplifier (enable = 0V)
3. If there is a suspended load, block the drive mechanically
4. Activate STO

## 6.9.3 Use as directed

The STO function is **exclusively** intended to provide safety for personnel, by preventing the restart of a system. To achieve this personnel safety, the wiring of the safety circuits must meet the safety requirements of IEC 60204, ISO 12100, IEC 62061 (SIL CL2) respectively ISO 13849-1 (PLd, CAT 3).

If STO is automatically activated by a control system, then make sure that the output of the control is monitored for possible malfunction.

## 6.9.4 Prohibited Use

The STO function must **not** be used if the drive is to be made inactive for the following reasons :

1. - cleaning, maintenance and repair operations  
- long inoperative periods

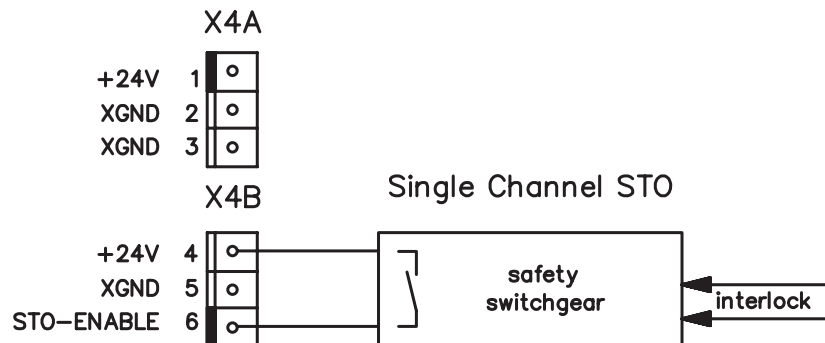
In such cases, the entire system should be disconnected from the supply by the personnel, and secured (main switch).

2. - emergency-stop situations

In an emergency-stop situation, the main contactor is switched off (by the emergency-stop button).

### 6.9.5 Technical data and pinning

<b>Input voltage</b>	20V..30V
<b>Input current</b>	33mA – 40mA (Ieff)
<b>Peak current</b>	100mA (Is)



### 6.9.6 Enclosure

Since the servo amplifier meets enclosure IP20, you must select the enclosure ensuring a safe operation of the servo amplifier referring to the enclosure. The enclosure must meet IP54 at least.

### 6.9.7 Wiring

When using STO wiring leads outside the control cabinet, the cables must be laid durably (firmly), protected from outside damage (e.g. laying in a cable duct), in different sheathed cables or protected individually by grounding connection.

Wiring remaining within the demanded enclosure must meet the requirements of the standard IEC 60204-1.

**6.9.8 Functional description**

In case of use of the STO function the input STO- Enable must be connected to the exit of a security control or a safety relay, which meets at least to the requirements of the SIL CL2 according to IEC 62061 and PLd according to ISO 13849-1 (see the connection diagram on page 42).

Possible states of the servo amplifier in connection with STO:

STO-ENABLE	ENABLE	Display	Motor has torque	SIL CL 2 / PLd
0 V	0 V	-S-	no	yes
0 V	+24 V	F27	no	yes
+24 V	0 V	normal status e.g. 06	no	no
+24 V	+24 V	normal status e.g. E06	yes	no

**CAUTION** When STO is engaged during operation by separating input STO-Enable from 24 VDC, the motor runs down out of control and the servo amplifier displays the error F27. There is no possibility of braking the drive controlled. If a controlled braking before the use of STO lock is necessary, the drive must be braked and the input STO-ENABLE have to be separated from +24 VDC time-delayed.

**CAUTION** In case of single channel usage of STO, erroneous engaging will not be recognized. Therefore the output of the control must be supervised for possible malfunction.

**NOTE** If STO function is not needed in the application, then the input STO-ENABLE must be connected directly with +24VDC. STO is passed by now and cannot be used. Now the servo amplifier is not a safety component referring to the EC Machine Directive.

When wiring the STO input within one enclosure it must be paid attention to the fact that the used cables and the enclosure meet the requirements of IEC 60204-1.

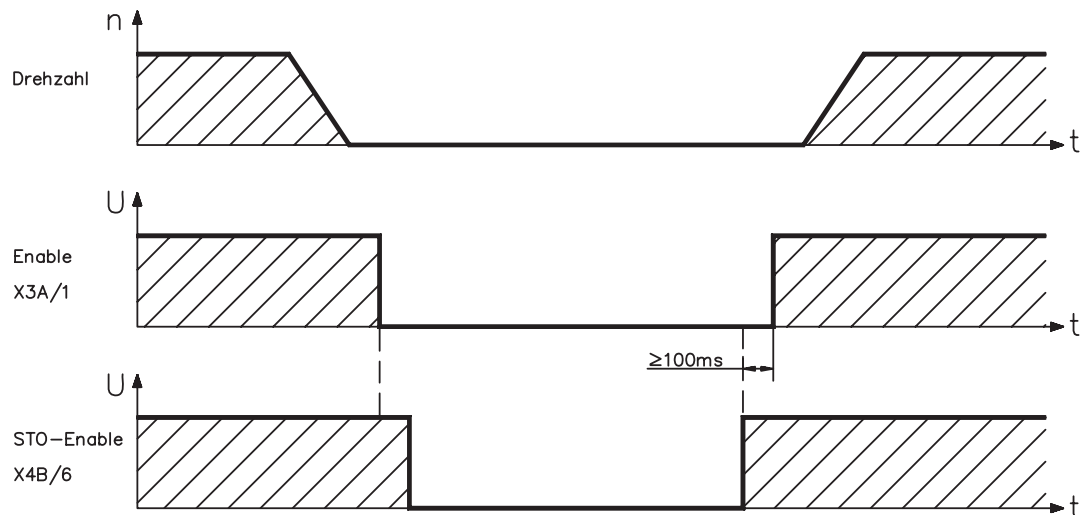
If the wiring leads outside the demanded enclosure, the cables must be laid durably (firmly), and protected from outside damage (see chapter 6.9.7).



### 6.9.8.1 Signal diagram (sequence)

The diagram shows how to use STO to ensure a safe stop of the drive and error free operation of the servo amplifier.

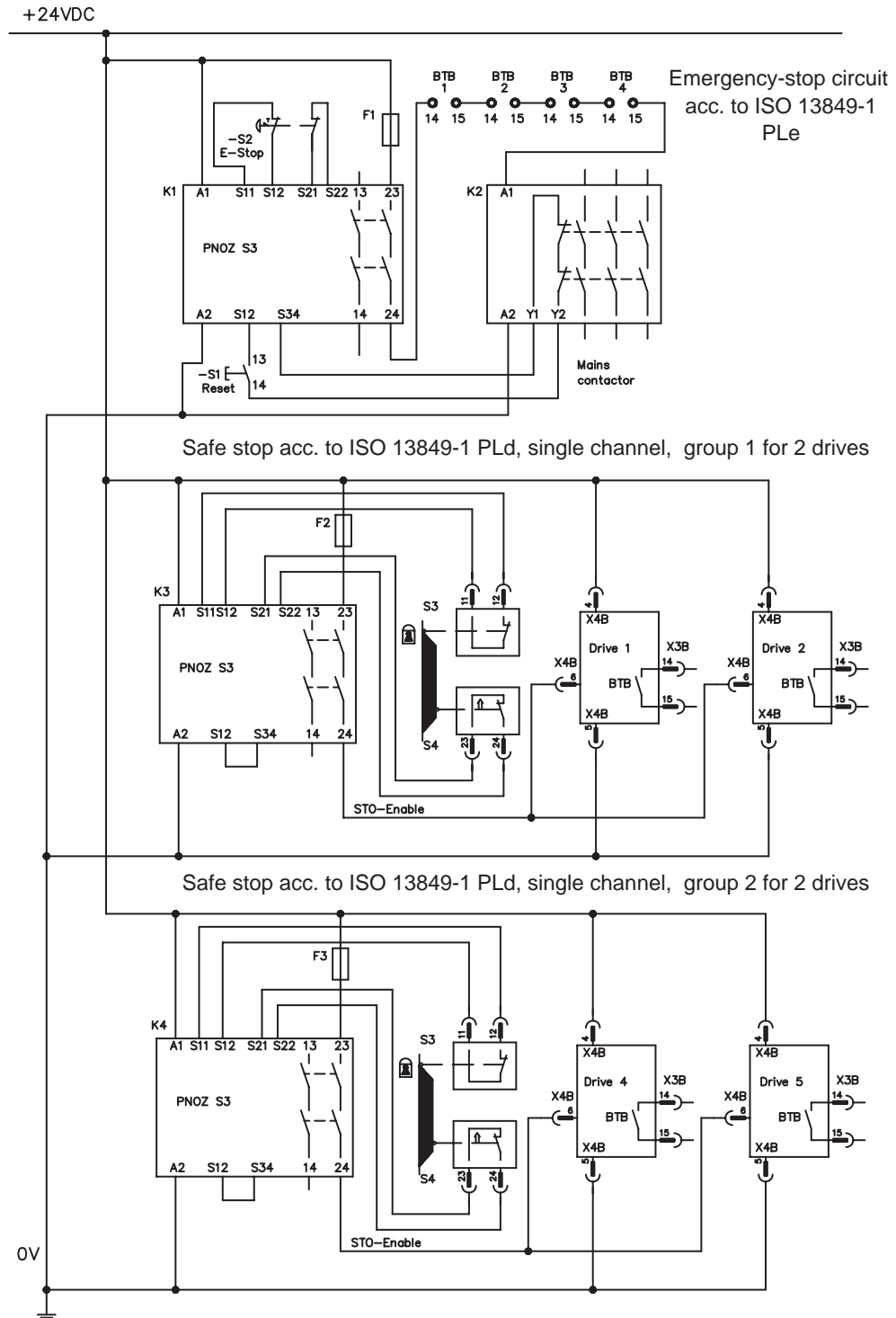
1. Brake the drive in a controlled manner (speed setpoint = 0 V)
2. When speed = 0 rpm, disable the servo amplifier (Enable = 0 V)
3. If there is a suspended load, block the drive mechanically
4. Activate STO (STO-Enable = 0 V)



**⚠ WARNING** Suspended loads can set themselves to motion on motors without brake, because the motor loses all torque when STO function is engaged (STO-Enable open or 0 V). Use motors with built-in holding brake.

6.9.8.2 Control circuit (example)

The example shows a circuit diagram with two separated work areas connected to one emergency stop circuit. For each work area individually "safe stop" of the drives is switched by a protective screen. A single channel switch-off is used. The safety switch gears used in the example are manufactured by Pilz and fulfill at least the PLd acc. to ISO 13849-1. Further information to the safety switch gears is available from Pilz. The use of safety switch gears of other manufacturers is possible, if these also fulfill the SIL CL 2 according to IEC 62061 and PLd according to ISO 13849-1.



**NOTE**

Consider the wiring instructions on page 39.

### 6.9.8.3 Functional test

**CAUTION** With initial starting and after each interference into the wiring of the drive or after exchange of one or several components of the drive the function of STO must be tested.

#### 1. Method:

1. Stop drive, with setpoint 0V, keep servo amplifier enabled.  
**DANGER: Do not enter hazardous area!**
2. Activate STO-Enable e.g. by opening protective screen (voltage at X4B/6 0V).

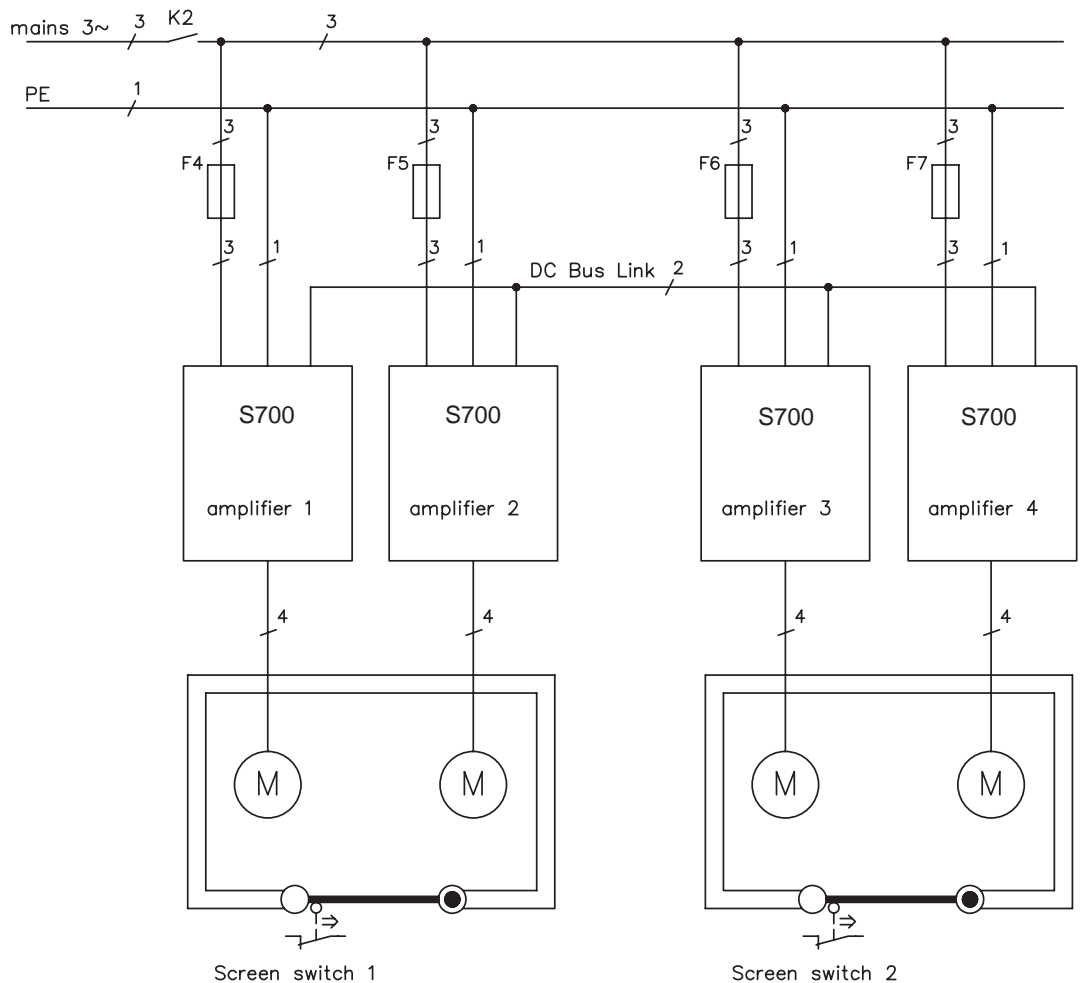
Now the BTB/RTO contact opens, the net contactor releases and the servo amplifier displays error F27.

#### 2. Method:

1. Stop all drives, with setpoint 0V, disable servo amplifier.
2. Activate STO-Enable e.g. by opening protective screen (voltage at X4B Pin6 0V).

Now the servo amplifier displays **-S-**.

### 6.9.8.4 Mains supply circuit (example)



**6.10 Shock-hazard protection**

**6.10.1 Leakage current**

Leakage current via the PE conductor results from the combination of equipment and cable leakage currents. The leakage current frequency pattern comprises a number of frequencies, whereby the residual-current circuit breakers definitively evaluate the 50Hz current. As a rule of thumb, the following assumption can be made for leakage current on our low-capacity cables at a mains voltage of 400 V, depending on the clock frequency of the output stage:

$$I_{leak} = n \times 20mA + L \times 1mA/m \text{ at 8kHz clock frequency at the output stage}$$

$$I_{leak} = n \times 20mA + L \times 2mA/m \text{ at a 16kHz clock frequency at the output stage}$$

(where  $I_{leak}$ =leakage current,  $n$ =number of amplifiers,  $L$ =length of motor cable)

At other mains voltage ratings, the leakage current varies in proportion to the voltage.

Example: 2 x servo amplifiers + a 25m motor cable at a clock frequency of 8kHz:  
 $2 \times 20mA + 25m \times 1mA/m = 65mA$  leakage current.

**NOTE** Since the leakage current to PE is more than 3.5 mA, in compliance with IEC 61800-5-1 the PE connection must either be doubled or a connecting cable with a cross-section >10mm<sup>2</sup> must be used. Use the PE terminals and the PE bolt in order to fulfil this requirement.

- The following measures can be used to minimize leakage currents.
- Reduce the length of the engine cable, use low-capacity cables (see p.53)
  - Remove external EMC filters (radio-interference suppressors are integrated)

**6.10.2 Residual current protective device (RCD)**

In conformity with IEC 60364-4-41 – Regulations for installation and IEC 60204 – Electrical equipment of machinery, residual current protective devices (called RCD below) can be used provided the requisite regulations are complied with. The S700 is a 3-phase system with a B6 bridge. Therefore, **RCDs which are sensitive to all currents** must be used in order to detect any D.C. fault current.

Rated residual currents in the RCD

10 - 30 mA	Protection against "indirect contact" for stationary and mobile equipment, as well as for "direct contact".
50 - 300 mA	Protection against "indirect contact" for stationary equipment

**NOTE** Recommendation: In order to protect against direct contact (with motor cables shorter than 5 m) we recommend that each servo amplifier be protected individually using a 30mA RCD which is sensitive to all currents.

If you use a selective RCD, the more intelligent evaluation process will prevent spurious tripping of the RCD.

**6.10.3 Isolating transformers**

When protection against indirect contact is absolutely essential despite a higher leakage current, or when an alternative form of shock-hazard protection is sought, the S700 can also be operated via an isolating transformer (schematic connection see p.58). A ground-leakage monitor can be used to monitor for short circuits.

**NOTE** Be advised to keep the length of wiring between the transformer and the servo amplifier as short as possible.

## 7 Mechanical Installation

### 7.1 Safety Instructions

**CAUTION** There is a danger of electrical shock by high EMC level which could result in injury, if the servo amplifier (or the motor) isn't properly EMC-grounded. Do not use painted (i.e. non-conductive) mounting plates.

**NOTICE**

Protect the servo amplifier from impermissible stresses. In particular, do not let any components become bent or any insulation distances altered during transport and handling. Avoid contact with electronic components and contacts.

**NOTICE**

The servo amplifier will switch-off itself in case of overheating. Ensure that there is an adequate flow of cool, filtered air into the bottom of the control cabinet, or use a heat exchanger. Please refer to page 28.

**NOTICE**

Don't mount devices, which produce magnetic fields, directly beside the servo amplifier. Strong magnetic fields could directly affect internal components. Install devices which produce magnetic field with distance to the servo amplifiers and/or shield the magnetic fields.

### 7.2 Guide to mechanical installation

The following notes should help you to carry out the mechanical installation.

<b>Site</b>	In a closed control cabinet. Please refer to page 28. The site must be free from conductive or corrosive materials. For the mounting position in the cabinet ⇒ p.46.
<b>Ventilation</b>	Check that the ventilation of the servo amplifier is unimpeded, and keep within the permitted ambient temperature ⇒ p.28. Keep the required space clear above and below the servo amplifier ⇒ p.46.
<b>Assembly</b>	Assemble the servo amplifier and power supply close together, on the conductive, <b>grounded</b> mounting plate in the cabinet.
<b>Grounding Shielding</b>	For EMC-compliant shielding and grounding ⇒ p.57. Ground the mounting plate, motor housing and CNC-GND of the control system. Notes on connection techniques ⇒ p.52.

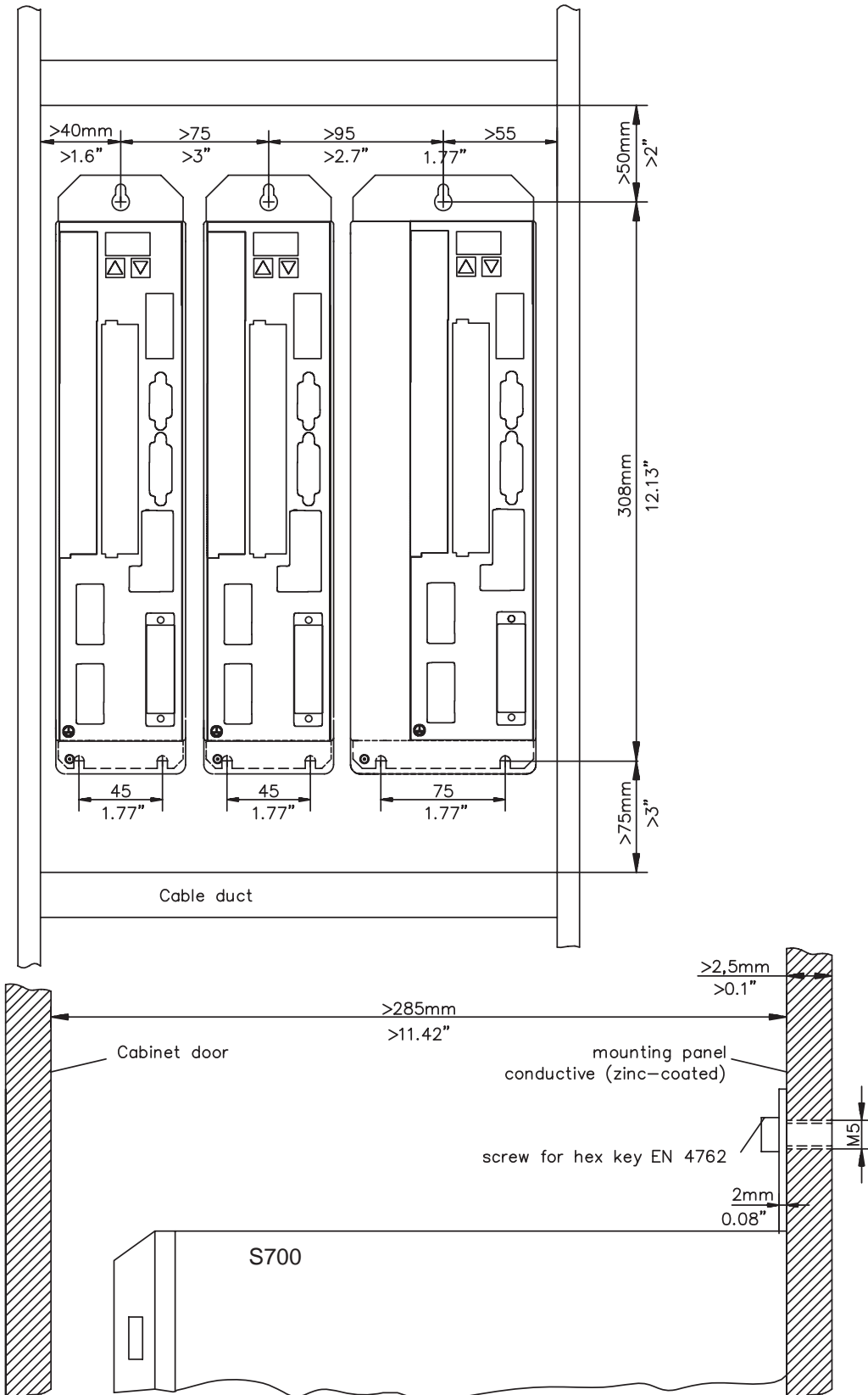
### 7.3 Assembly

Material: three M5 hexagon socket screws to ISO 4762

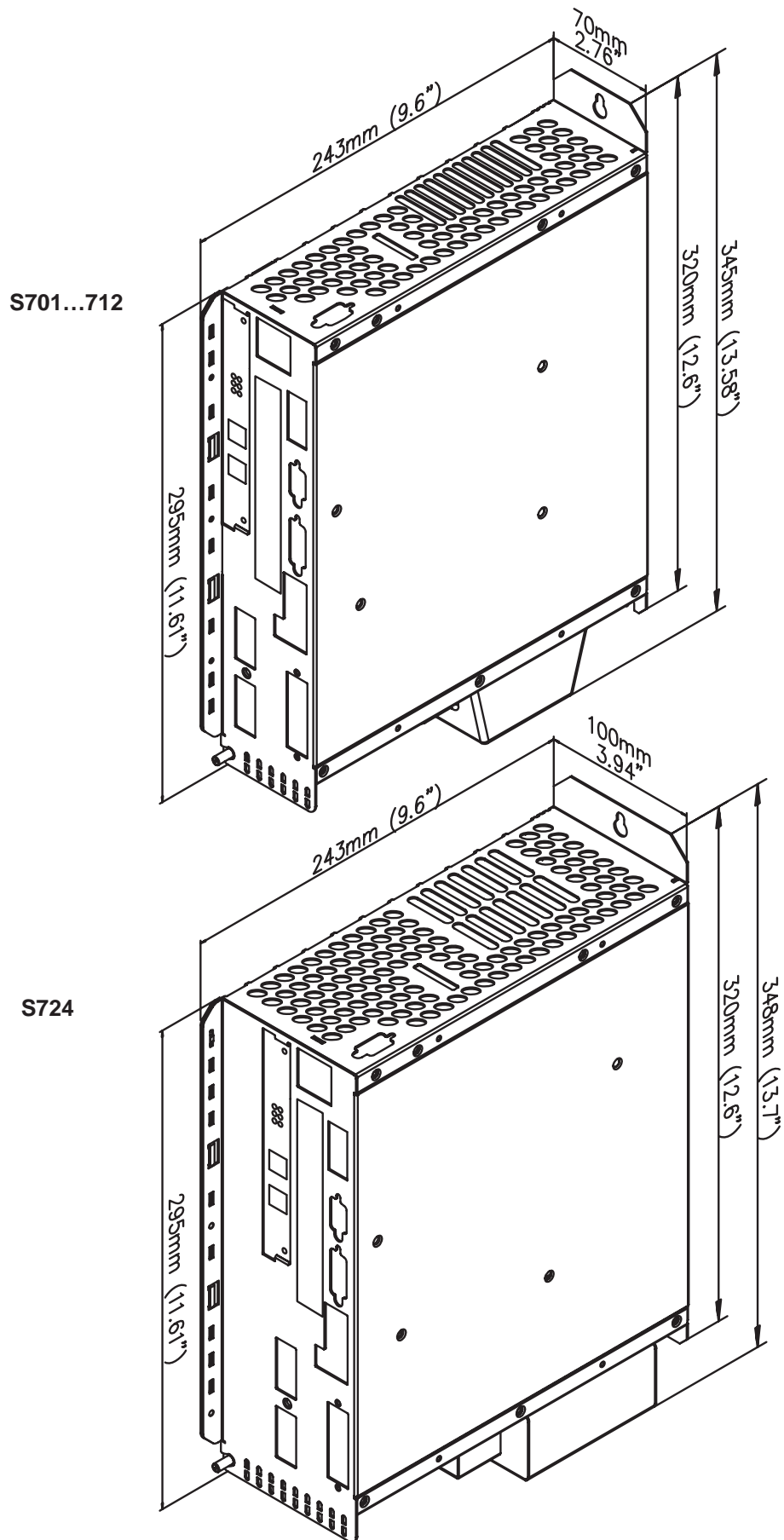
Tool required : 4 mm Allen key

**NOTE**

Remove the fan before mounting the servo amplifier and replace it again afterwards (⇒ p.48).



7.4 Dimensions



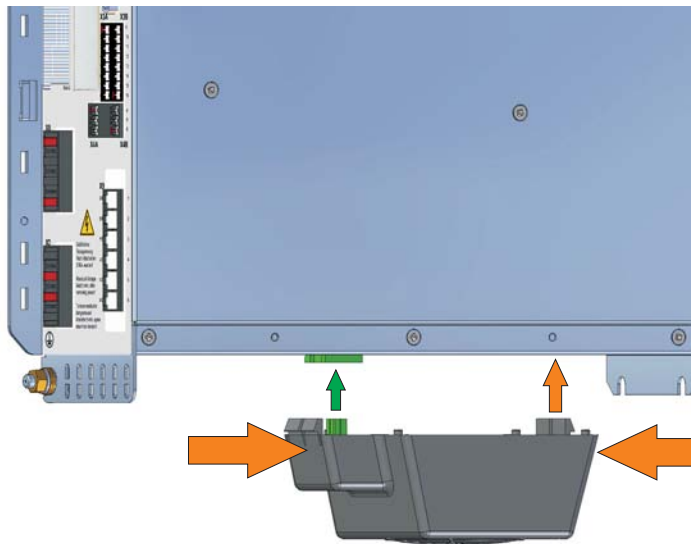
## 7.5 Fan assembly

The fan does not require wiring. Built-in connectors in the fan casing plug into sockets on the underside of the S700.

**NOTE**

Remove the fan before mounting the servo amplifier and replace it again afterwards.

### Mounting/removing the fan (models S701...712)

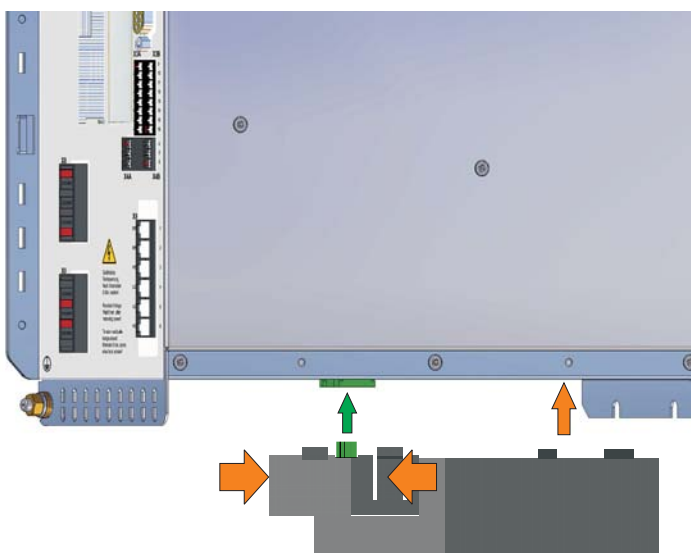

**Removal:**

Gently squeeze the fan casing together lengthwise and pull the fan casing down.

**Mounting:**

Position the fan so that the green connector is aligned with the socket in the S700. Push the fan onto the connector until the fan casing clicks into place. Gently squeeze the fan casing together lengthwise to check that it is fully engaged.

### Mounting/removing the fan (model S724)


**Removal:**

Gently squeeze the fan casing together crosswise and pull the fan casing down.

**Mounting:**

Position the fan so that the green connector is aligned with the socket in the S700. Push the fan onto the connector until the fan casing clicks into place. Gently squeeze the fan casing together crosswise to check that it is fully engaged.



## 8 Electrical installation

### 8.1 Safety Instructions

**⚠ DANGER** Never undo any electrical connections to the servo amplifier while it is live. There is a danger of electrical arcing with damage to contacts and serious personal injury. Wait at least eight minutes after disconnecting the servo amplifier from the main supply power before touching potentially live sections of the equipment (e.g. contacts) or undoing any connections. Capacitors can still have dangerous voltages present up to eight minutes (5 min @ 1.5A to 12A types, 8 min @ 24 type) after switching off the supply power. To be sure, measure the voltage in the DC Bus link and wait until it has fallen below 40V. Control and power connections can still be live, even if the motor is not rotating.

**NOTICE**

Wrong mains voltage, unsuitable motor or wrong wiring will damage the amplifier. Check the combination of servo amplifier and motor. Compare the rated voltage and current of the units. Implement the wiring according to the connection diagram on page 51. Make sure that the maximum permissible rated voltage at the terminals L1, L2, L3 or +DC, -DC is not exceeded by more than 10% even in the most unfavorable circumstances (see IEC 60204-1).

**NOTICE**

Excessively high external fusing will endanger cables and devices. The fusing of the AC supply input and 24V supply must be installed by the user, best values are given on p.27. Hints for use of Residual-current circuit breakers (FI) ⇒ p.44.

**NOTICE**

Correct wiring is the basis for reliable functioning of the servo system. Route power and control cables separately. We recommend a distance of at least 200mm. This improves the interference immunity. If a motor power cable is used that includes cores for brake control, the brake control cores must be separately shielded. Ground the shielding at both ends. Ground all shielding with large areas (low impedance), with metalized connector housings or shield connection clamps wherever possible. Notes on connection techniques can be found on page 52.

**NOTICE**

Feedback lines may not be extended, since thereby the shielding would be interrupted and the signal processing could be disturbed. Lines between amplifiers and external brake resistor must be shielded. Install all cables with an adequate cross-section, as per IEC 60204 (⇒ p.28) and use the requested cable material (⇒ p. 53) to reach max. cable length.

**NOTICE**

The servo amplifier's status must be monitored by the PLC to acknowledge critical situations. Wire the BTB/RTO contact in series into the emergency stop circuit of the installation. The emergency stop circuit must operate the supply contactor.

**NOTE**

It is permissible to use the setup software to alter the settings of the servo amplifier. Any other alterations will invalidate the warranty.

## 8.2 Guide to electrical installation

The following notes should help you to carry out the electrical installation.

**Cable selection** Select cables in accordance with IEC 60204 ⇒ p.28.

### Grounding Shielding

For EMC-compliant shielding and grounding ⇒ p.57.  
Ground the mounting plate, motor housing and CNC-GND of the control system. Notes on connection techniques ⇒ p.52.

### Wiring

**Note: Route power leads and control cables separately.  
Wire the BTB/RTO contact in series into the emergency stop circuit of the system.**

- Connect the digital control inputs and outputs.
- Connect the analog input source, if required.
- Connect the feedback device.
- Connect the expansion card  
(see corresponding notes from page 107).
- Connect the motor cable  
Connect shielding to EMC connectors (shield connection) at both ends. Use the motor choke (3YL) if cable > 25 meters.
- Connect motor-holding brake, connect shielding to EMC connector/shield connection at both ends.
- If required, connect the external brake resistor (with fusing).
- Connect the auxiliary supply  
(maximum permissible voltage values ⇒ p.28).
- Connect the main electrical supply  
(maximum permissible voltage values ⇒ p.28), hints for use of Residual-current circuit breakers (FI) ⇒ p.44
- Connect the PC (⇒ p.85).

### Final check

- Final check of the implementation of the wiring against the wiring diagrams that have been used.

### 8.3 Wiring

The installation procedure is described as an example. A different procedure may be appropriate or necessary, depending on the application of the equipments.  
We provide further know-how through **training courses** (on request).



#### 8.3.1 Safety Instructions

**⚠ DANGER** There is a danger of electrical arcing with serious personal injury. Only install and wire up the equipment when it is not live, i.e. when neither the electrical supply nor the 24 V auxiliary voltage nor the supply voltages of any other connected equipment is switched on.

Take care that the cabinet is safely disconnected (with a lock-out, warning signs etc.). The individual voltages will be switched on for the first time during setup.

**⚠ CAUTION** Only professional staff who are qualified in electrical engineering are allowed to install the servo amplifier.

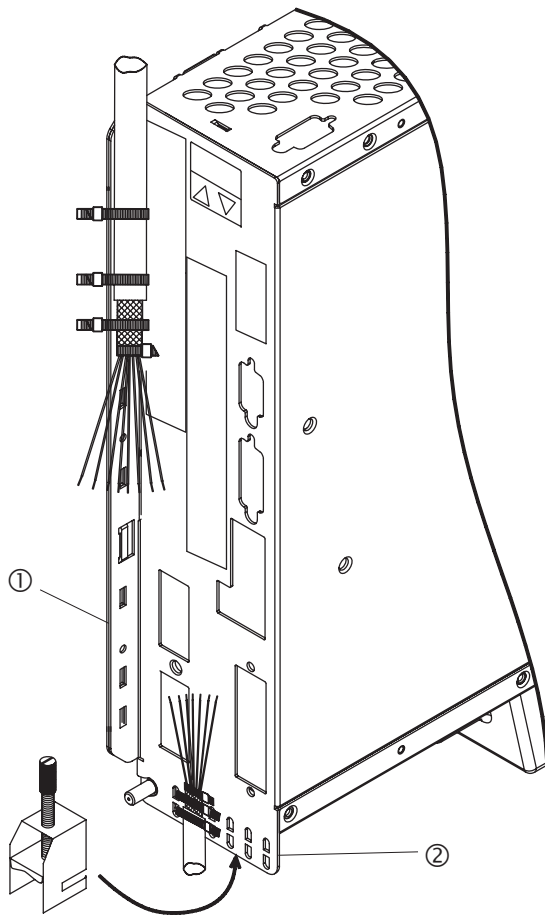
#### 8.3.2 Important Notes

**NOTE** The ground symbol , which you will find in all the wiring diagrams, indicates that you must take care to provide an electrically conductive connection with the largest feasible surface area between the unit indicated and the mounting plate in the control cabinet. This connection is for the effective grounding of HF interference, and must not be confused with the PE-symbol  (PE = protective earth, safety measure as per IEC 60204).

**NOTE** Use the following connection diagrams:

Overview	: page 57
Safety Function STO	: page 42
Mains power	: page 59
Motor	: page 62
Feedback	: page 70ff
Electronic Gearing / Master Slave	
Master-Slave	: page 79
Pulse-Direction	: page 80
Digital and analog inputs and outputs	: page 81ff
RS232 / PC	: page 85
CANopen Interface	: page 86
EtherNET Interface	: page 87
Expansion cards for slot 1:	
I/O-14/08	: page 110
PROFIBUS	: page 111
SERCOS	: page 113
DeviceNet	: page 114
SynqNet	: page 118
2CAN	: page 119
Expansion cards for slot 2:	
PosI/O & PosI/O-Monitor	: page 122ff
Expansion cards for slot 3:	
PosI/O & PosI/O-Monitor	: page 130ff

### 8.3.3 Shielding connection to the front panel



Remove the outside shroud of the cable and the shielding braid on the desired core length. Secure the cores with a cable tie.

Remove the outside shroud of the line on a length from for instance 30mm without damaging the shielding braid.

Strip all wires and fit wire end ferrules.

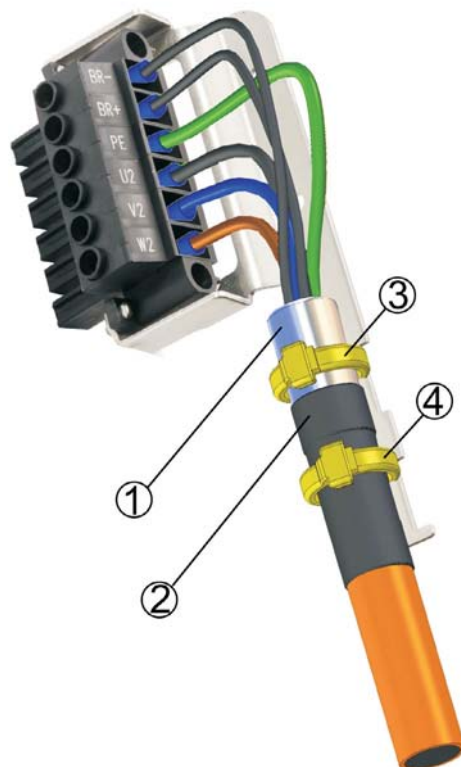
Use cable ties to attach the cable to the side (1) or bottom (2) shroud of the servo amplifier, securing the braided shield of the cable to the shroud of the servo amplifier with a cable tie.

Alternatively you can use shield connection terminal clamps (see accessories manual). These hook into the bottom shroud and ensure optimum contact between the shield and the shroud.

Wire the plug-in terminal blocks as shown in the connection diagram.

The motor cable shield is connected via the bottom motor connector X9 (see below).

### 8.3.4 Motor connector X9 with shielding connection



Strip the external cable sheath to a length of approx. 120 mm, **taking care not to damage the braided shield**. Push the braided shield (1) back over the cable and secure with a rubber sleeve (2) or shrink sleeve.

Shorten all the wires apart from the protective earth (PE) wire (green/yellow) by about 20 mm so that the PE wire is now the longest wire. Strip all wires and fit wire end ferrules.

Secure the braided shield of the cable to the shroud with a cable tie (3) and use a second tie (4) to fasten the cable over the rubber sleeve.

Wire the connector as shown in the connection diagram. Plug in the connector to the socket on the front of the S700.

**Screw the connector in place.** This ensures that there is conductive contact over a large surface area between the braided shield and the front panel.

### 8.3.5 Technical data for connecting cables

For further information on the chemical, mechanical and electrical characteristics of the cables please refer to the accessories manual or contact our customer service.

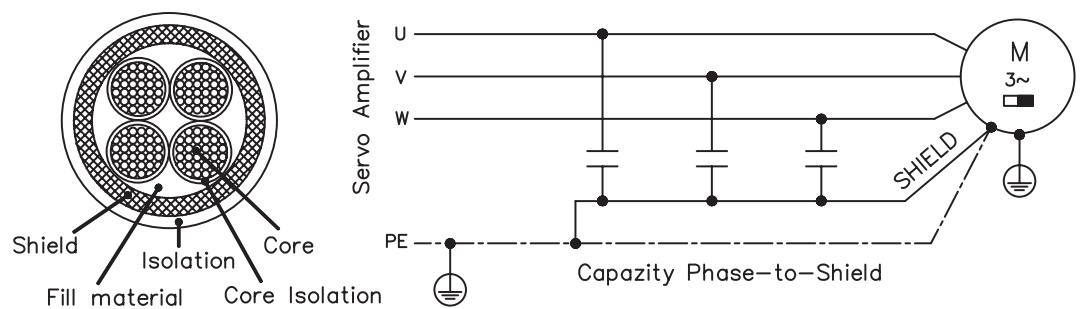
#### **NOTE**

Observe the rules in the section "Conductor cross-sections" on page 28. To reach the max. permitted cable length, you must use cable material that matches the capacitance requirements listed below.

#### Capacitance (phase to shield)

Motor cable	less than 150 pF/m
Resolver/Encoder cable	less than 120 pF/m

Example: Motor cable



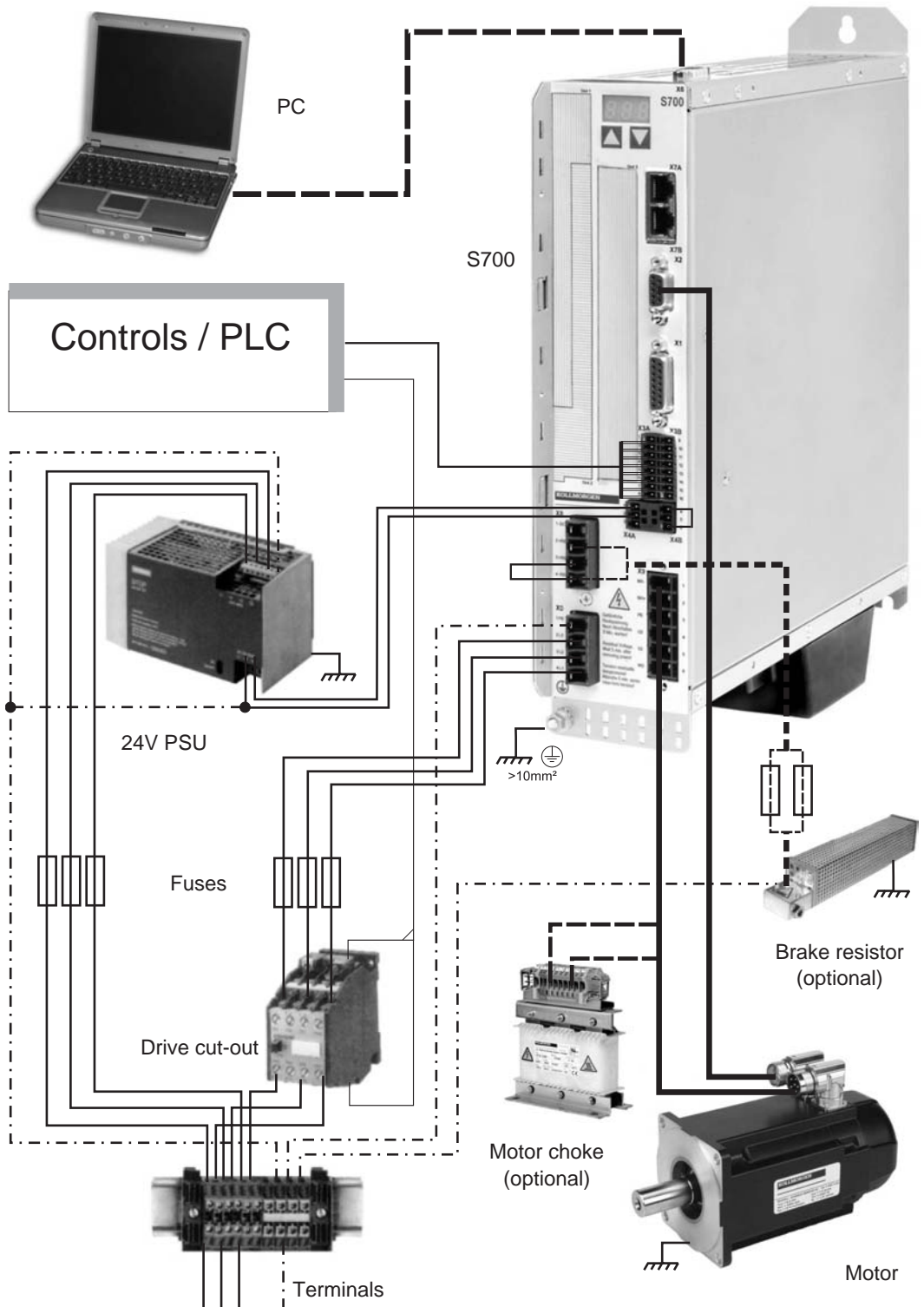
#### Technical data

For a detailed description of Kollmorgen cable types and how to assemble them, please refer to the accessories manual.

#### **NOTE**

Motor cables longer than 25m require the use of a motor choke 3YL.

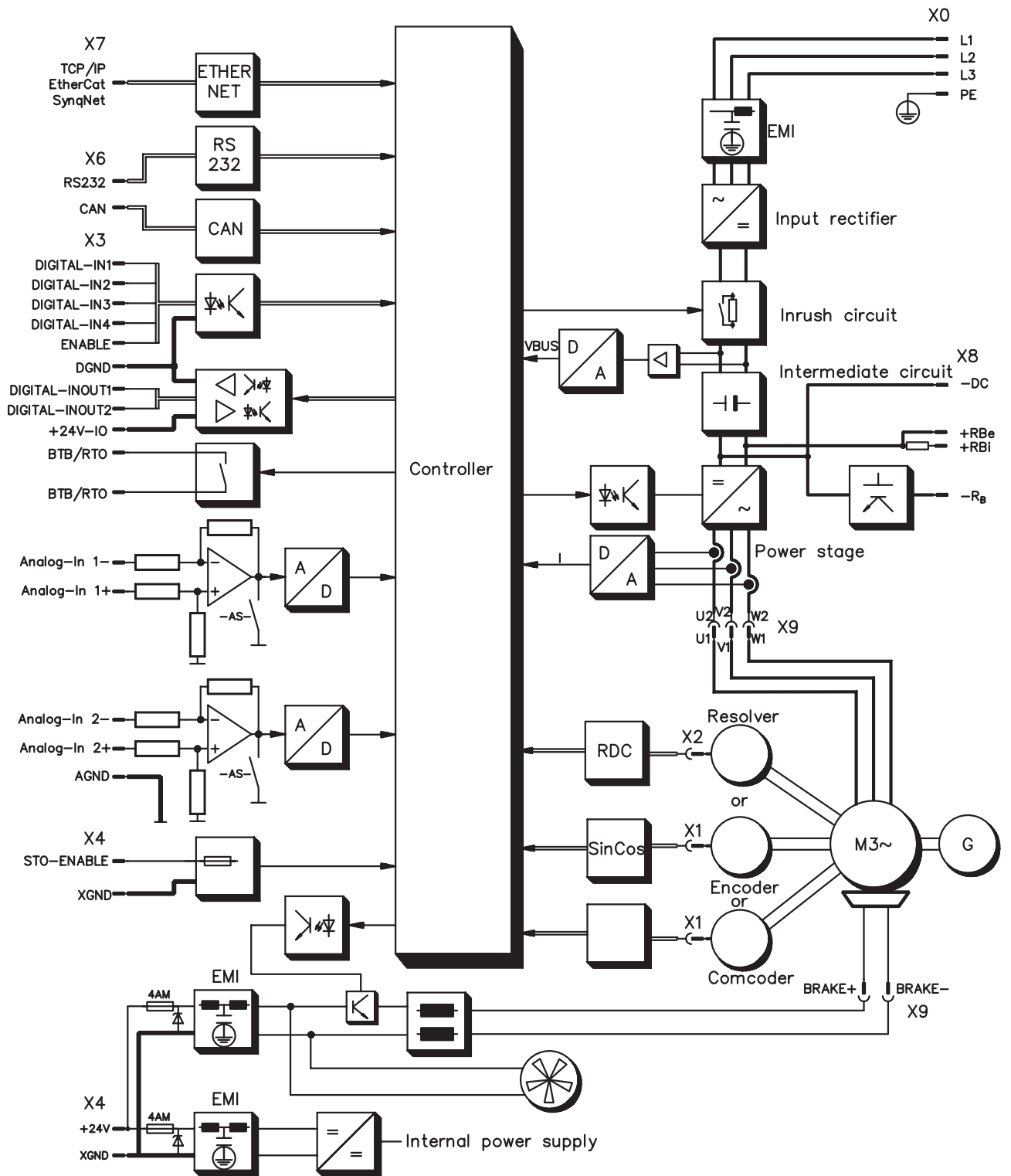
8.4 Components of a servo system



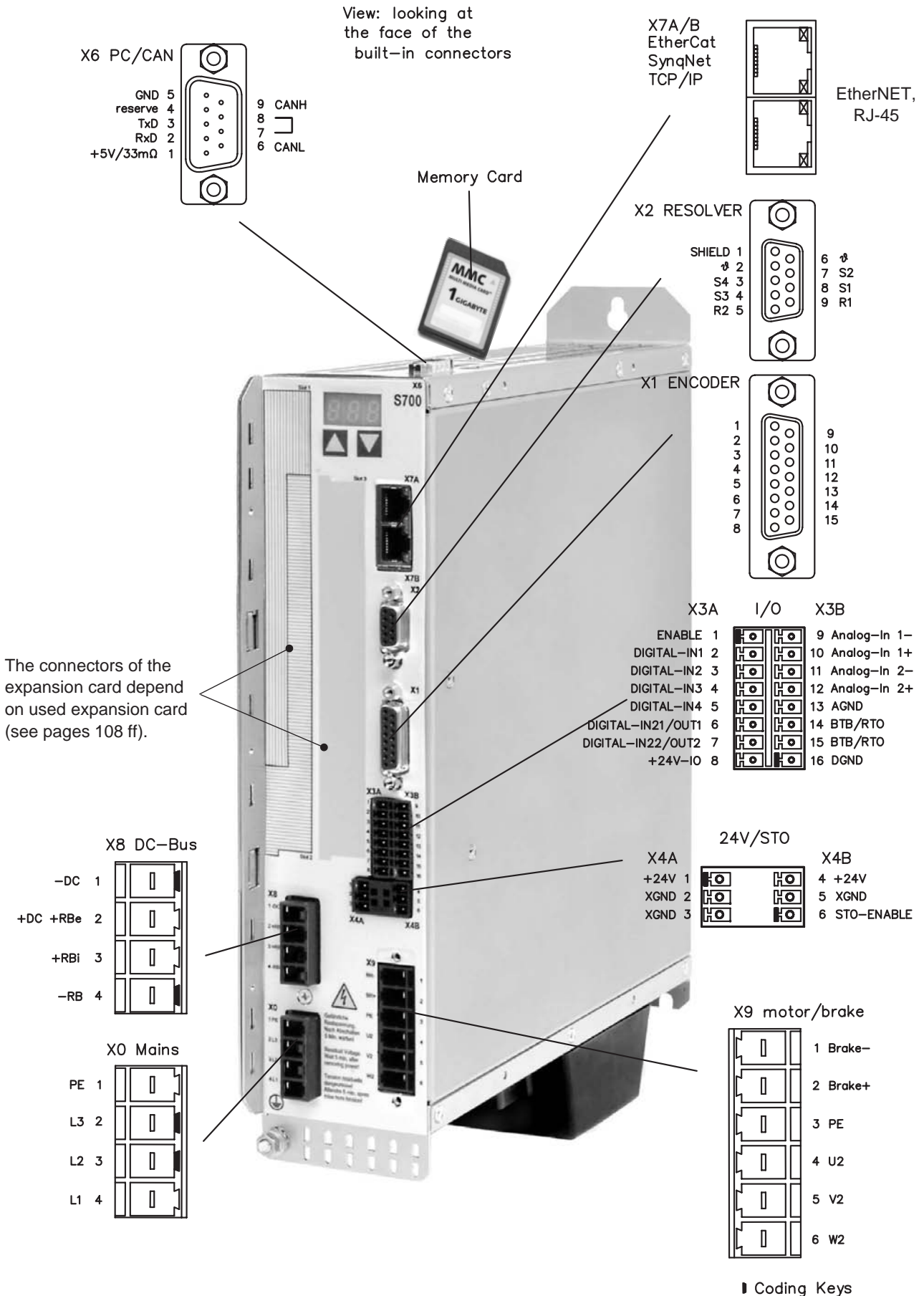
**NOTE** Cables drawn bold are shielded. Electrical ground is drawn with dash-dotted lines. Optional devices are connected with dashed lines to the servo amplifier. The required accessories are described in our accessories manual. STO function is deactivated in the example.

### 8.5 Block diagram

The block diagram below just provides an overview.



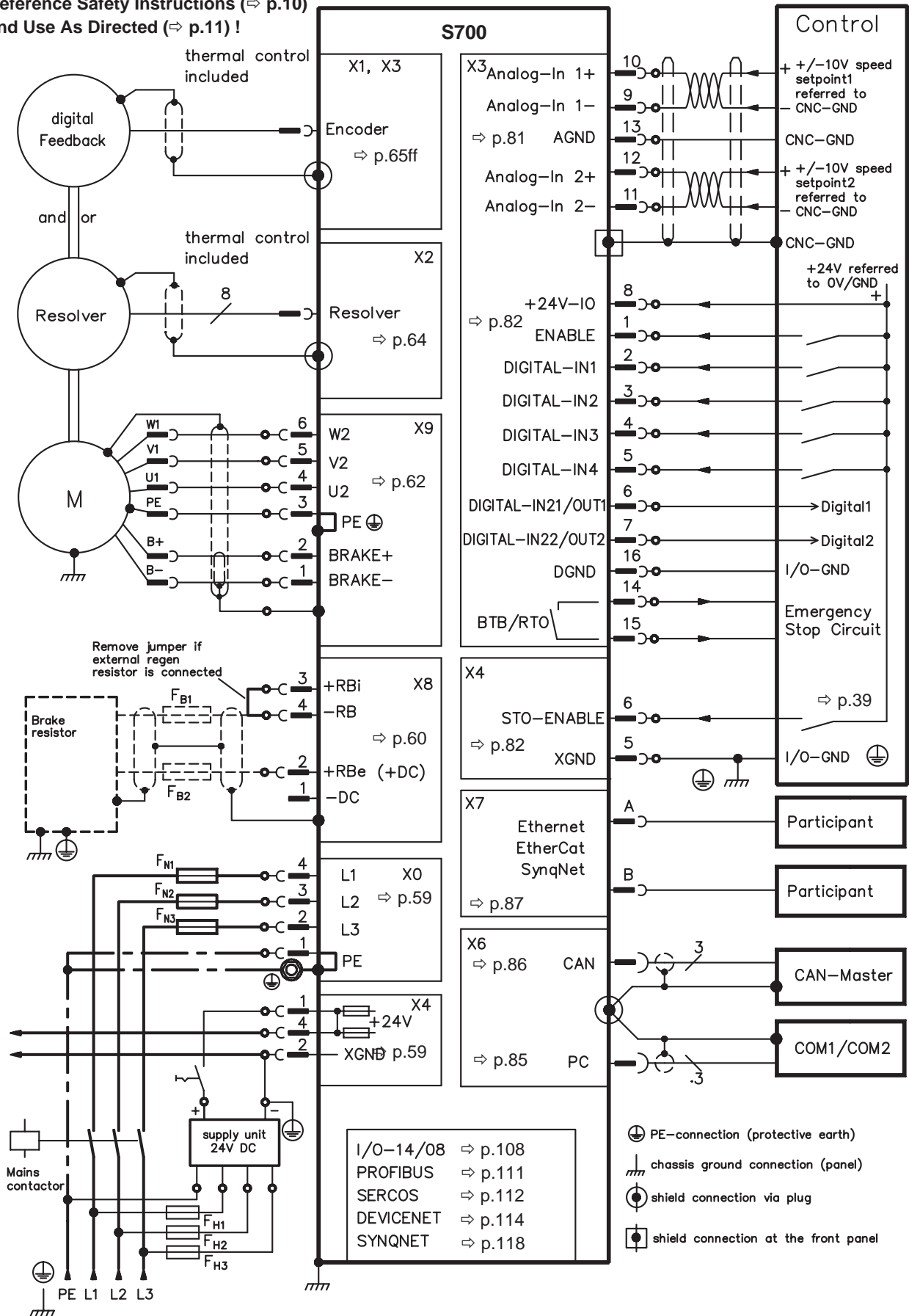
8.6 Connector assignments





### 8.7 Connection diagram (Overview)

Reference Safety Instructions (⇒ p.10) and Use As Directed (⇒ p.11) !

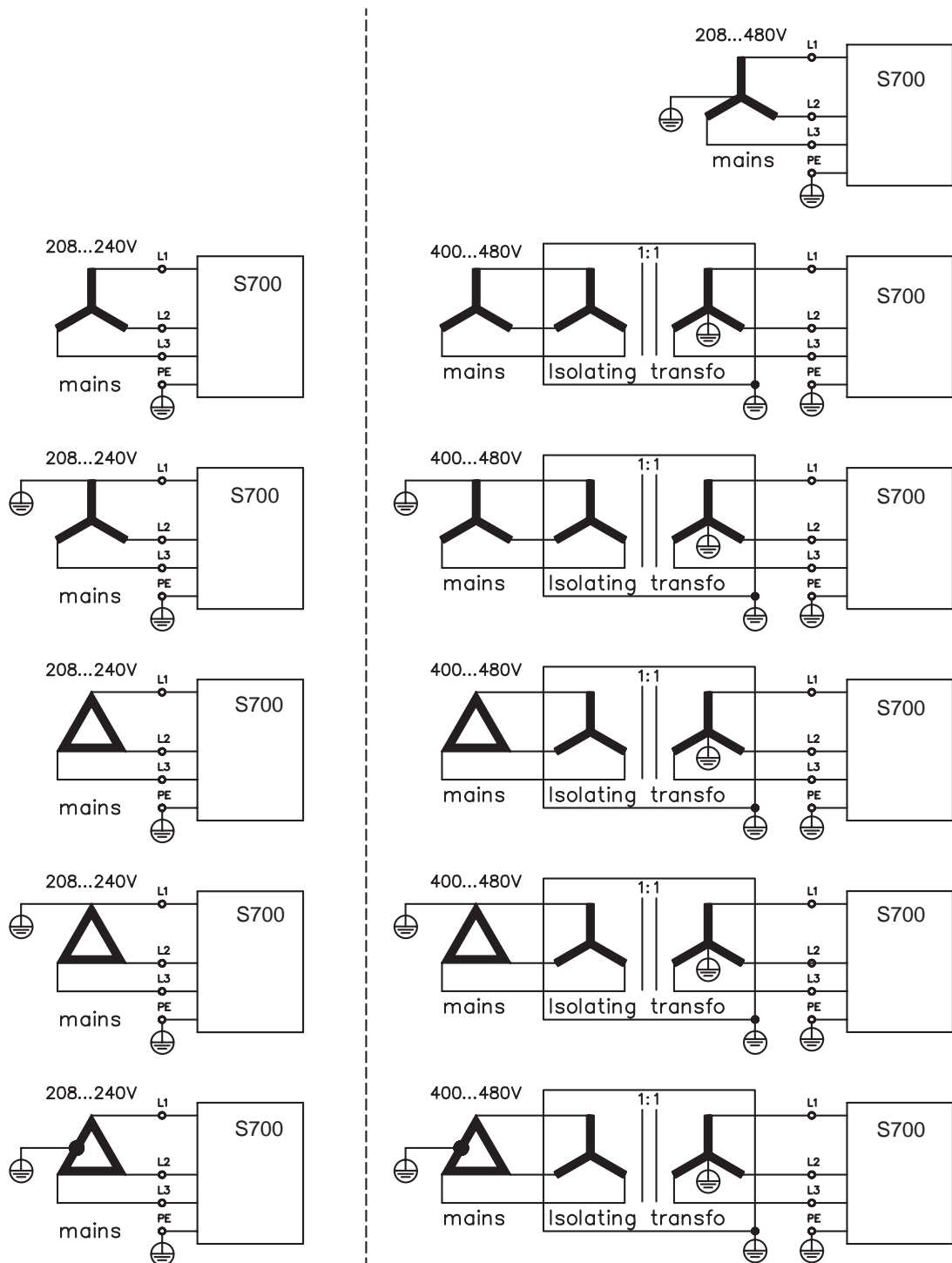


## 8.8 Electrical supply

### 8.8.1 Connection to various mains supply networks

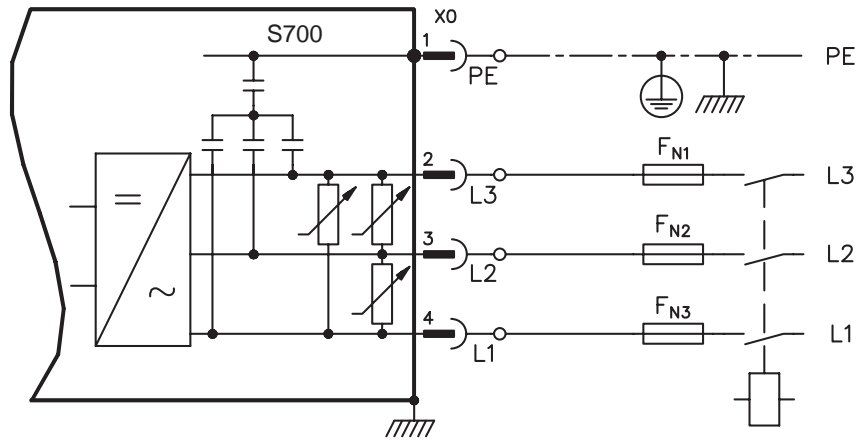
This page illustrates all the possible connection variations for different electrical supply networks.

**⚠ WARNING** There is a danger of electrical shock with serious personal injury if the servo amplifier isn't properly grounded. An isolating transformer is always required for 400 ... 480V networks that are asymmetrically grounded or not grounded.



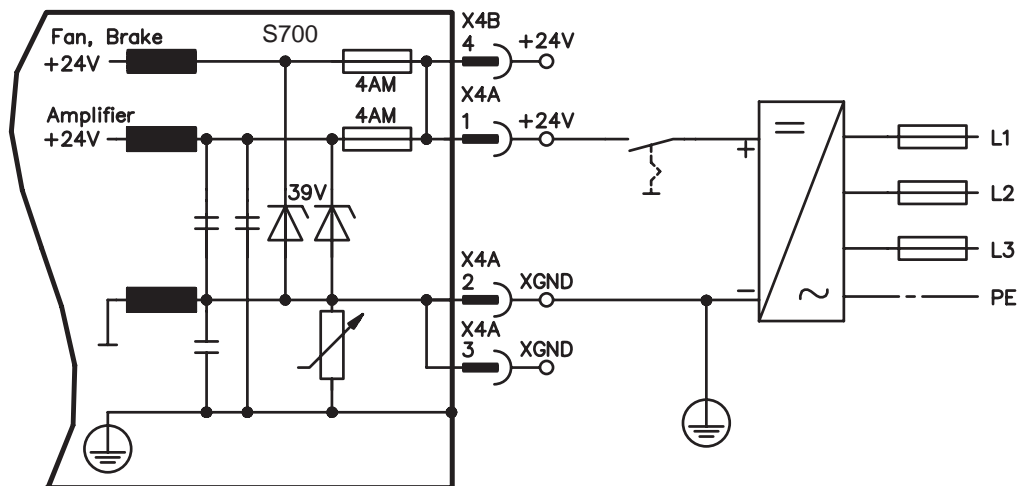
**8.8.2 Mains supply connection (X0)**

- Directly to 3-phase supply network, filter is integrated, supply networks ⇒ p.58
- Fusing (e.g. fusible cut-outs) to be provided by the user ⇒ p.27



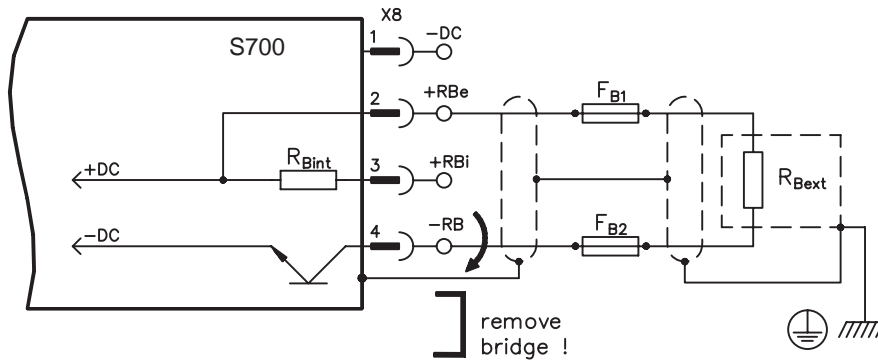
**8.8.3 24V auxiliary supply (X4)**

- External 24V DC power supply, electrically isolated, e.g. via an isolating transformer
- Required current rating ⇒ p.26
- Integrated EMC filter for the 24V auxiliary supply



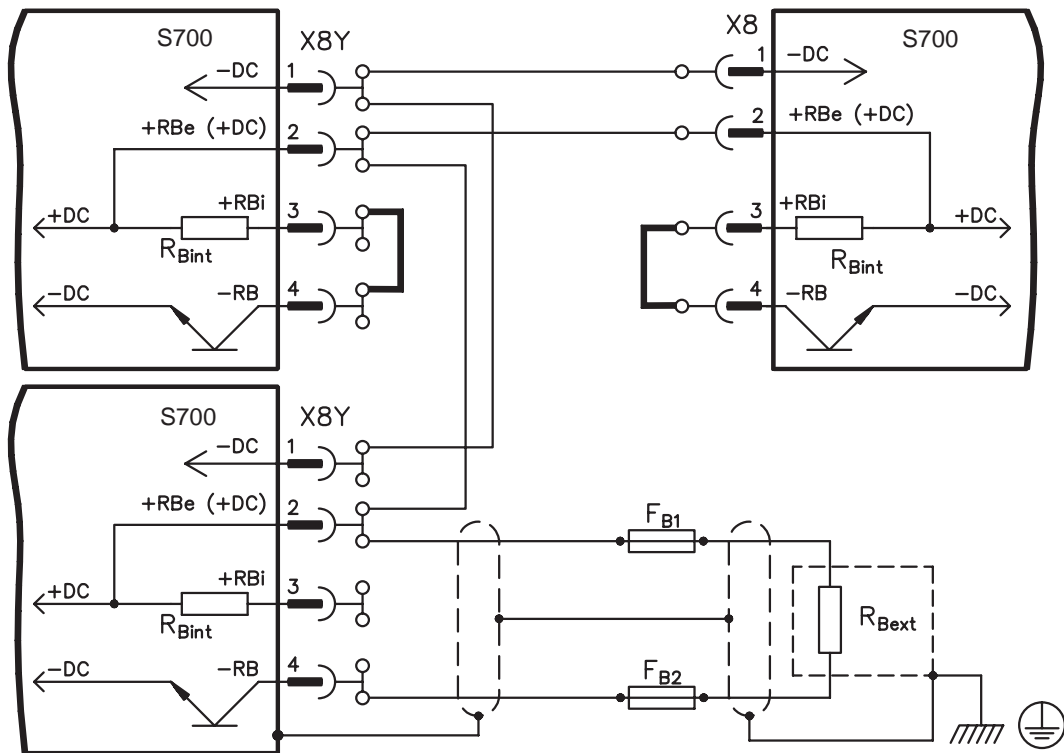
### 8.9 External brake resistor (X8)

Remove the plug-in link between the terminals X8/4 (-RB) and X8/3 (+Rbi). Information for brake circuit and technical data can be found on page 30.



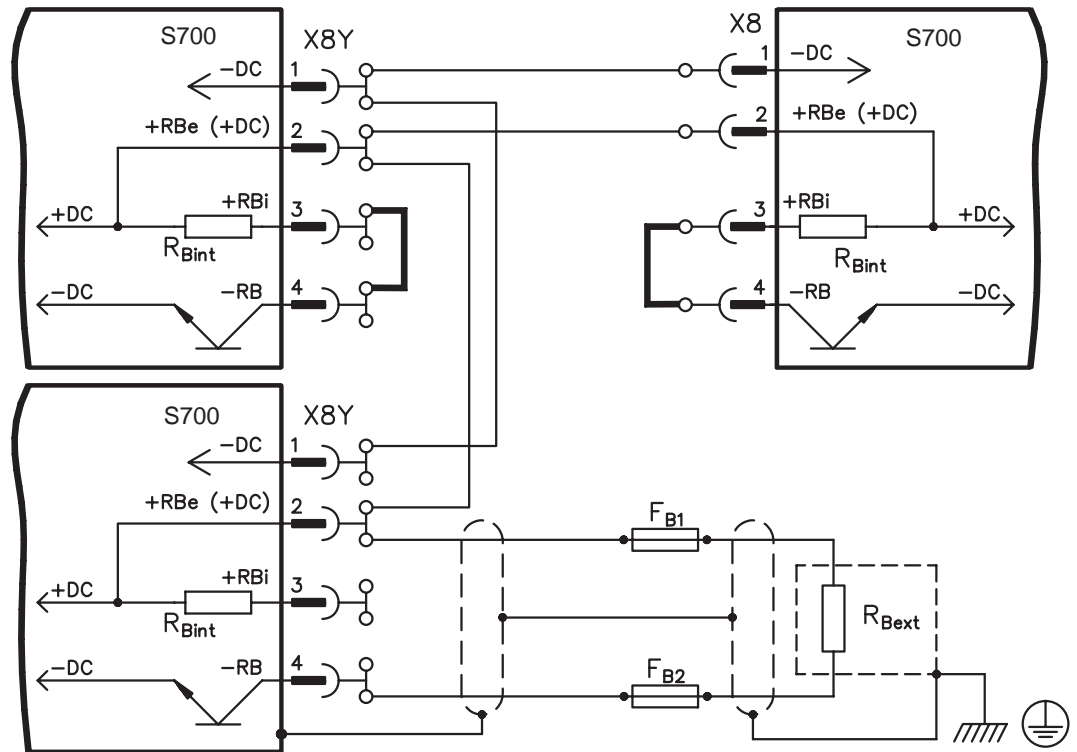
Use the optional Y-connector X8Y (see order numbers on p.133), if you want to link the DC bus with other S700 servo amplifiers.

#### Wiring example with X8Y



8.10 DC bus link (X8)

Terminals X8/1 (-DC) and X8/2 (+RBe). Can be connected in parallel, whereby the brake power is divided between all the amplifiers that are connected to the same DC bus link circuit. With the optional Y-connector X8Y you can connect more than one S700 to the DC bus or connect an additional external brake resistor.



In case of mains supply from the same mains (identical mains supply voltage) these servo amplifiers may be connected by the DC bus link :

	S700 with HWR* < 2.00	S700 with HWR* ≥ 2.00	S300
S700 with HWR* < 2.00	⊗	no	no
S700 with HWR* ≥ 2.00	no	⊗	⊗

\*HWR = Hardware Revision (check nameplate)

**NOTICE** The servo amplifiers can be destroyed, if DC bus link voltages are different. Only servo amplifiers with mains supply from the same mains (identical mains supply voltage) may be connected by the DC bus link.

The sum of the rated currents for all of the servo amplifiers connected in parallel to an S700 must not exceed 48A.

Use unshielded single cores (cross section see p. 28) with a max. length of 200mm. Use shielded cables for longer lengths.

Fusing information are explained in detail in the "Product Wiki", available at [www.wiki-kollmorgen.eu](http://www.wiki-kollmorgen.eu), on the WIKI page "DC Bus link in parallel".

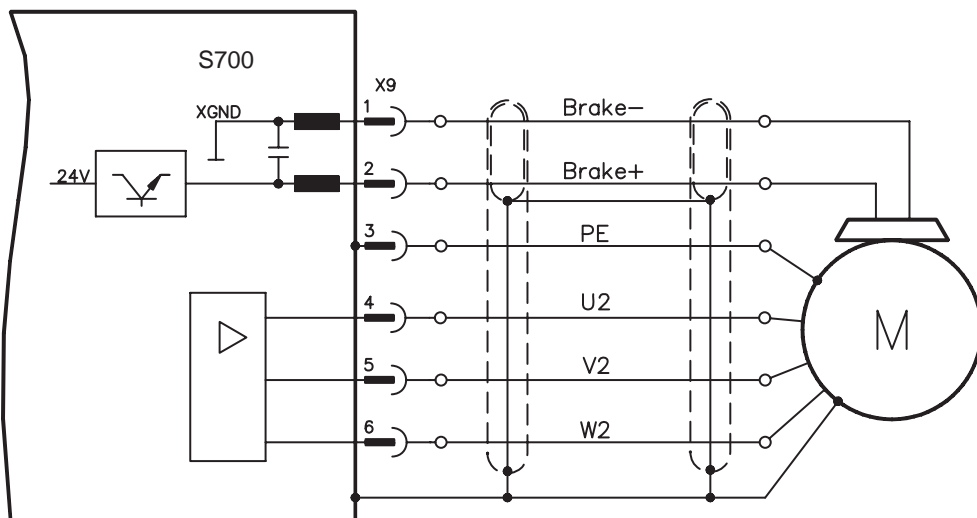
**8.11 Motor and holding brake connection (X9)**

Together with the motor supply cable and motor winding, the power output of the servo amplifier forms an oscillating circuit. Characteristics such as cable capacity, cable length, motor inductance, frequency and voltage rise speed (see Technical Data, p. 26) determine the maximum voltage in the system.

- NOTICE** The dynamic voltage rise can lead to a reduction in the motor’s operating life and, on unsuitable motors, to flash overs in the motor winding.
- Only install motors with insulation class F (acc. to IEC 60085) or above
  - Only install cables that meet the requirements on p.28 and p.53.

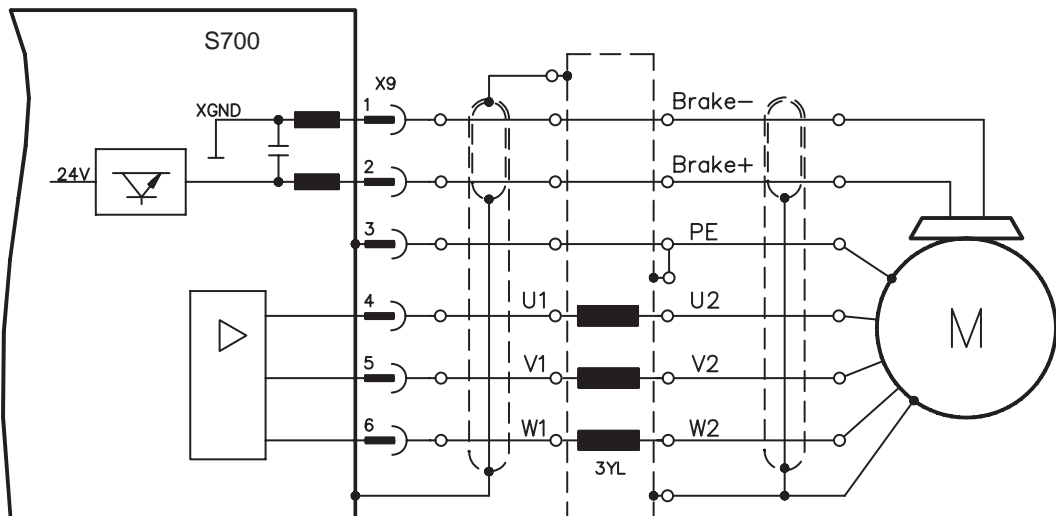
**CAUTION** The brake function does not ensure personnel safety! Hanging load (vertical axes) require an additional mechanical brake which must be safely operated.

Wiring with cable length ≤ 25m



Wiring with cable length >25m

**NOTICE** With long motor cables leakage currents endanger the output stage of the servo amplifier. For cable lengths above 25m up to max. 50m, the motor choke 3YL/3YLN (see accessories manual) must be wired into the motor cable, close to the amplifier.



## 8.12

## Feedback

Every closed servo system will normally require at least one feedback device for sending actual values from the motor to the servo drive. Depending on the type of feedback device used, information will be fed back to the servo amplifier using digital or analog means. Up to three feedback devices can be used at the same time. S700 supports the most common types of feedbacks whose functions must be assigned with the parameters

**FBTYPE** (screen page FEEDBACK), primary Feedback

**EXTPOS** (screen page POSITION CONTROLLER), secondary Feedback

**GEARMODE** (screen page ELECTRONIC GEARING), secondary Feedback (⇒ p.72) in the setup software. Scaling and other settings must always be made here.

Configuration	Location	ASCII Parameter	Commu-tation	Speed control	Position-control	electr. gearing
<b>One Feedback</b>	motor	FBTYPE	X	X	X	
<b>Two Feedbacks</b> (Position externally)	motor	FBTYPE	X	X		
	externally	EXTPOS			X	
<b>Two Feedbacks</b> (Gearing externally)	motor	FBTYPE	X	X	X	
	externally	GEARMODE				X
<b>Three Feedbacks</b> (Position and Gearing externally)	motor	FBTYPE	X	X		
	externally	EXTPOS			X	
	externally	GEARMODE				X

For a detailed description of the ASCII parameters, please refer to the [online help](#) of the setup software.

The table below provides an overview of the supported feedback types, their corresponding parameters and a reference to the relevant connection diagram in each case.

Feedback type	Conne-ctor	Wiring diagram	primary	secondary
			FBTYPE	EXTPOS
Resolver	X2	⇒ p.64	0	-
SinCos Encoder BISS	X1	⇒ p.65	20, 22, 23, 24	11
SinCos Encoder ENDAT 2.1	X1	⇒ p.66	4, 21	8
SinCos Encoder ENDAT 2.2	X1	⇒ p.67	32	-
SinCos Encoder HIPERFACE	X1	⇒ p.68	2	9
SinCos Encoder SSI (linear)	X1	⇒ p.69	26	-
SinCos Encoder w/o data channel	X1	⇒ p.70	1, 3, 7, 8	6, 7
SinCos Encoder + Hall	X1	⇒ p.71	5, 6	-
ROD* 5V without zero, 1.5MHz	X1	⇒ p.72	30, 31	30
ROD (AquadB) 5V with zero, 350kHz	X1	⇒ p.73	17, 27	10
ROD (AquadB) 5V with zero + Hall	X1	⇒ p.74	15	-
ROD (AquadB) 24V without zero	X3	⇒ p.75	12, 16	2
ROD (AquadB) 24V without zero + Hall	X3/X1	⇒ p.76	14	-
SSI	X1	⇒ p.77	25	25
Hall	X1	⇒ p.78	11	-
Step/Direction 24V	X3	⇒ p.80	-	1
Sensorless (w/o Feedback)	-	-	10	-
<b>with expansion card "PosI/O" or "PosI/O-Monitor"</b>				
ROD (AquadB) 5V with zero	X5	⇒ p.123	13, 19	3
ROD (AquadB) 5V with zero + Hall	X5/X1	⇒ p.124	18	-
SSI	X5	⇒ p.125	9	5
Step/Direction 5V	X5	⇒ p.126	-	4

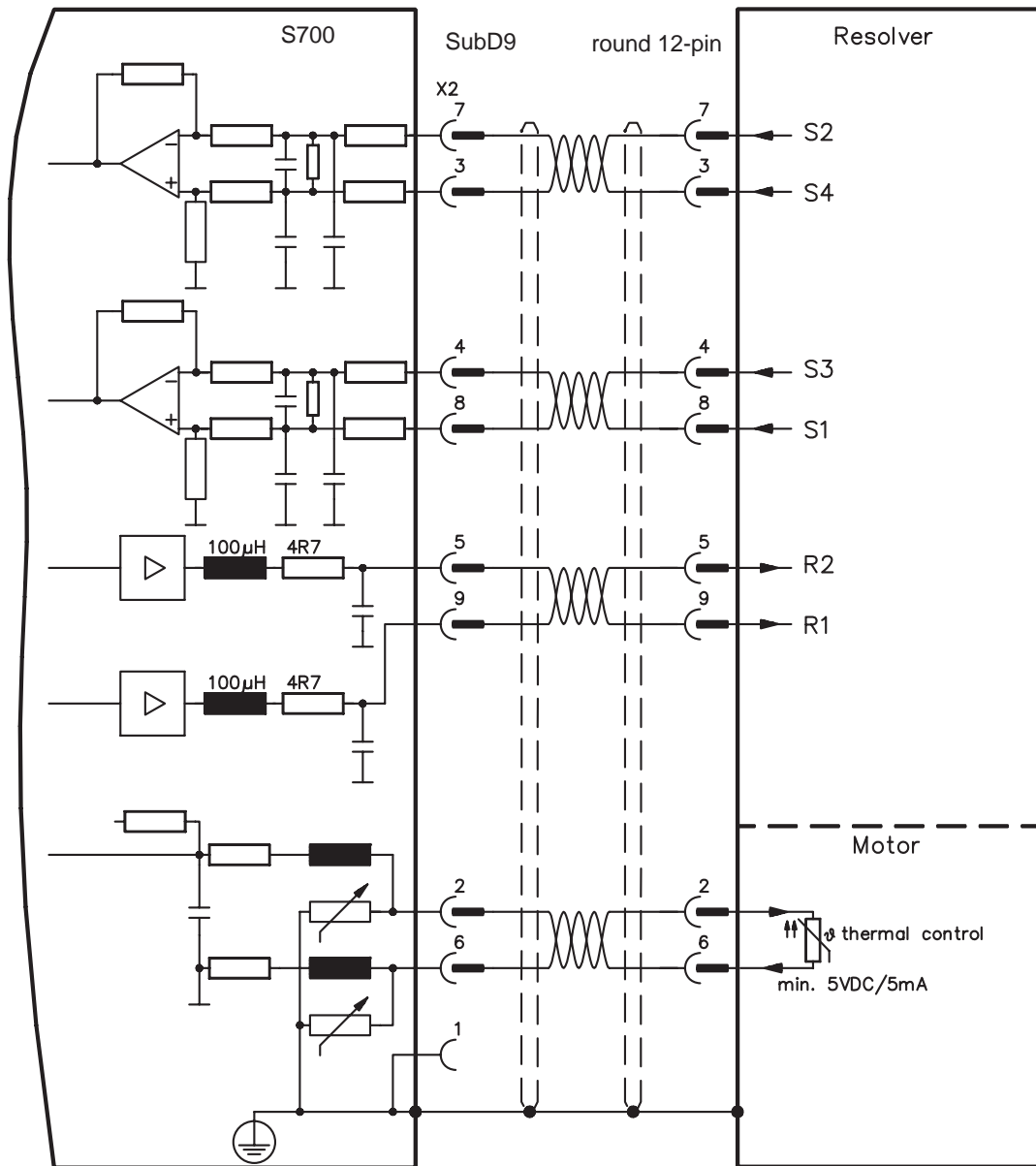
\* ROD is an abbreviation for "incremental encoder".

8.12.1 Resolver (X2)

Connection of a Resolver (2 to 36-poles) as a feedback system (primary, ⇨ p.63). The thermal control in the motor is connected via the resolver cable to X2 and evaluated there.

If cable lengths of more than 100m are planned, please consult our customer service.

FBTYPE: 0



The pin assignment shown on the encoder side relates to the Kollmorgen motors.



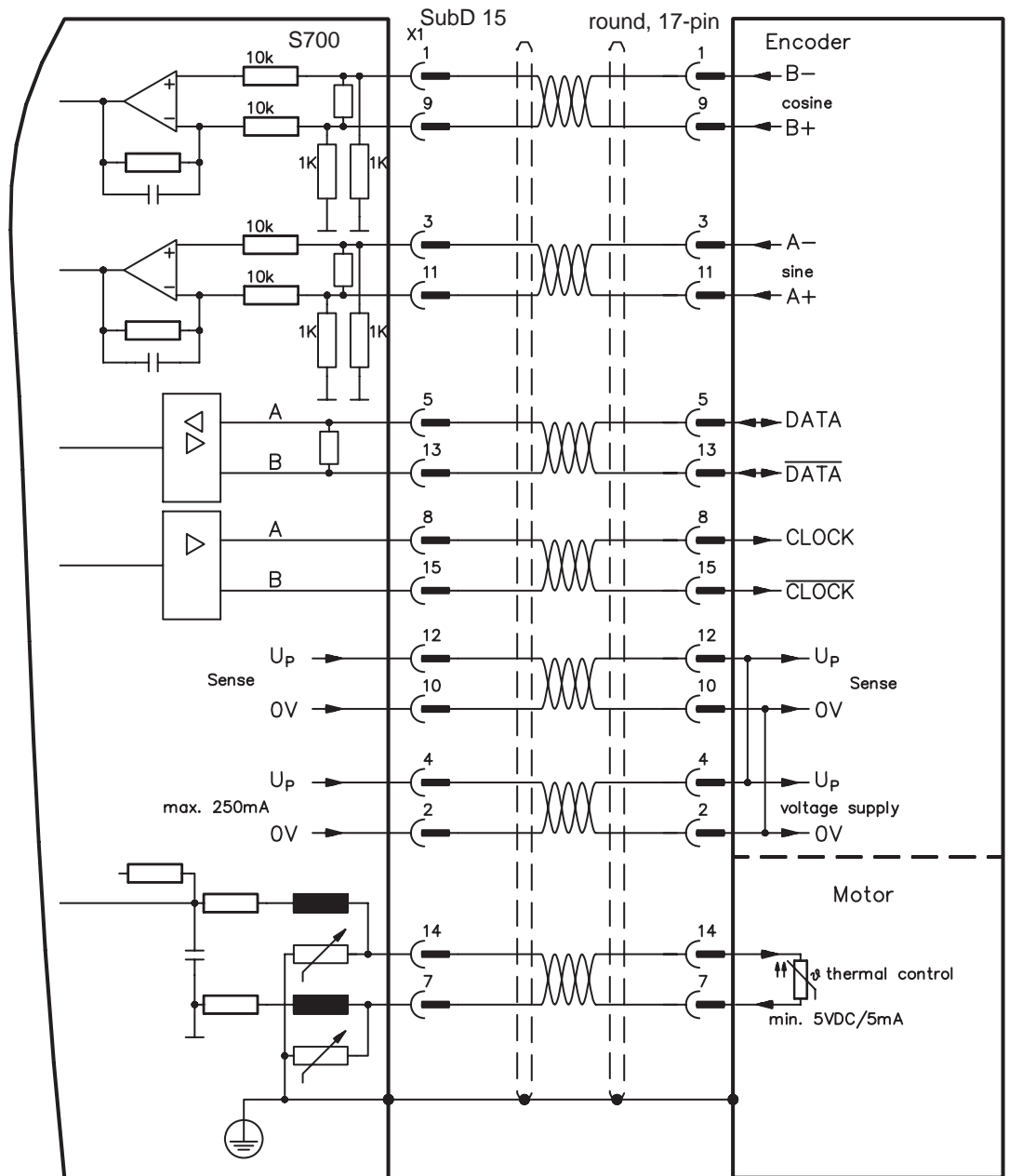
8.12.2 Sine Encoder with BiSS (X1)

Wiring of a single-turn or multi-turn sine-cosine encoder with BiSS interface as a feed-back system (primary and secondary, ⇒ p.63).

The thermal control in the motor is connected via the encoder cable to X1 and evaluated there. All signals are connected using our pre-assembled encoder connection cable. If cable lengths of more than 50m are planned, please consult our customer service.

Frequency limit (sin, cos): 350 kHz

Type	FBTYP	EXTPOS	GEARMODE	Up
5V digital	20	11	11	5V +/-5%
12V digital	22	11	11	7,5...11V
5V analog	23	11		5V +/-5%
12V analog	24	11		7,5...11V

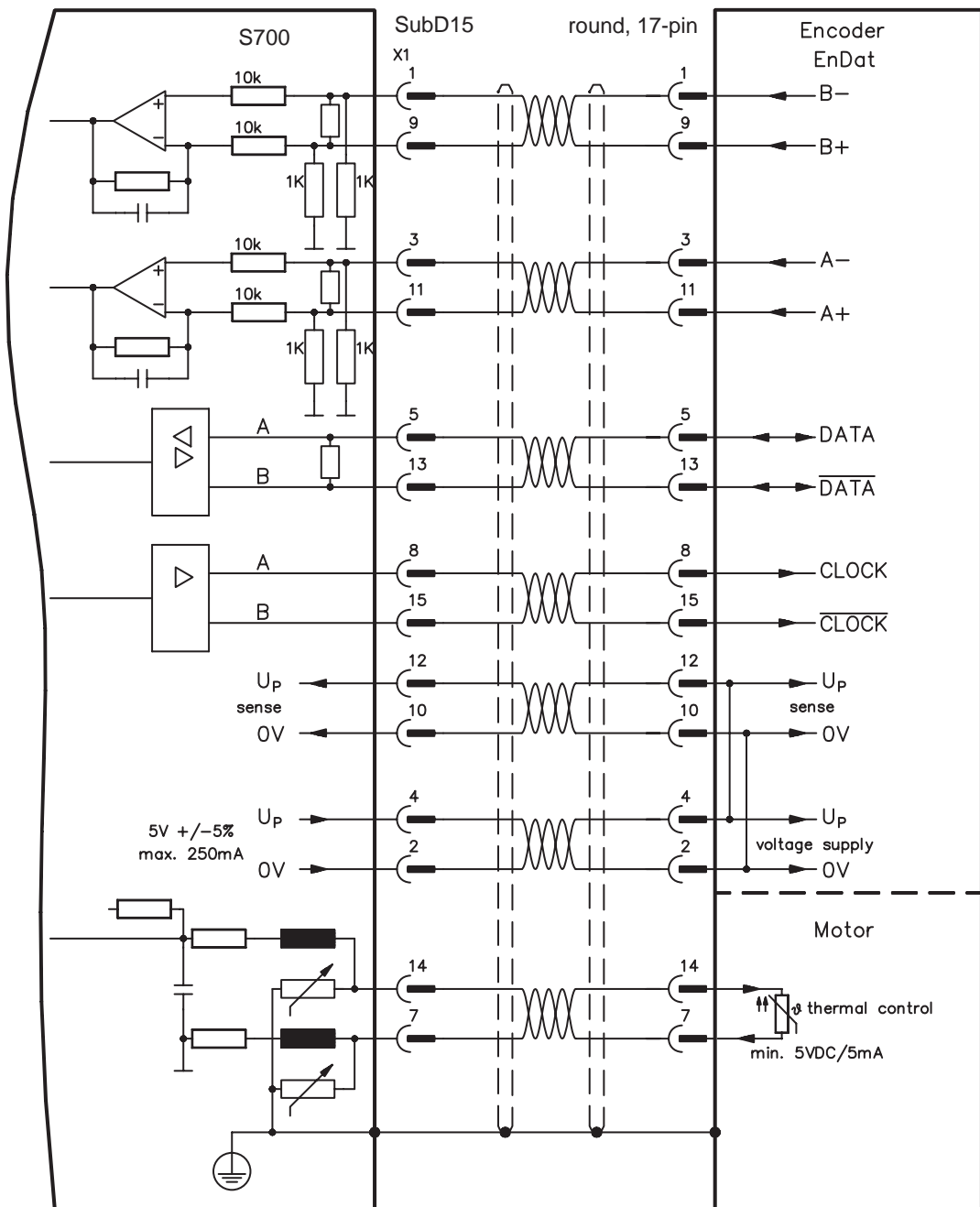


The pin assignment shown on the encoder side relates to the Kollmorgen motors.

8.12.3 Sine Encoder with EnDat 2.1 (X1)

Wiring of a single-turn or multi-turn sine-cosine encoder with EnDat 2.1 interface as a feedback system (primary and secondary, ⇔ p.63). Preferred types are the optical encoder ECN1313 / EQN1325 and the inductive encoder ECI 1118/1319 or EQI 1130/1331. The thermal control in the motor is connected via the encoder cable to X1 and evaluated there. All signals are connected using our pre-assembled encoder connection cable. If cable lengths of more than 50m are planned, please consult our customer service. Frequency limit (sin, cos): 350 kHz

Type	FATYPE	EXTPOS	GEARMODE
ENDAT 2.1	4	8	8
ENDAT 2.1 + Wake&Shake	21	8	8



The pin assignment shown on the encoder side relates to the Kollmorgen motors.

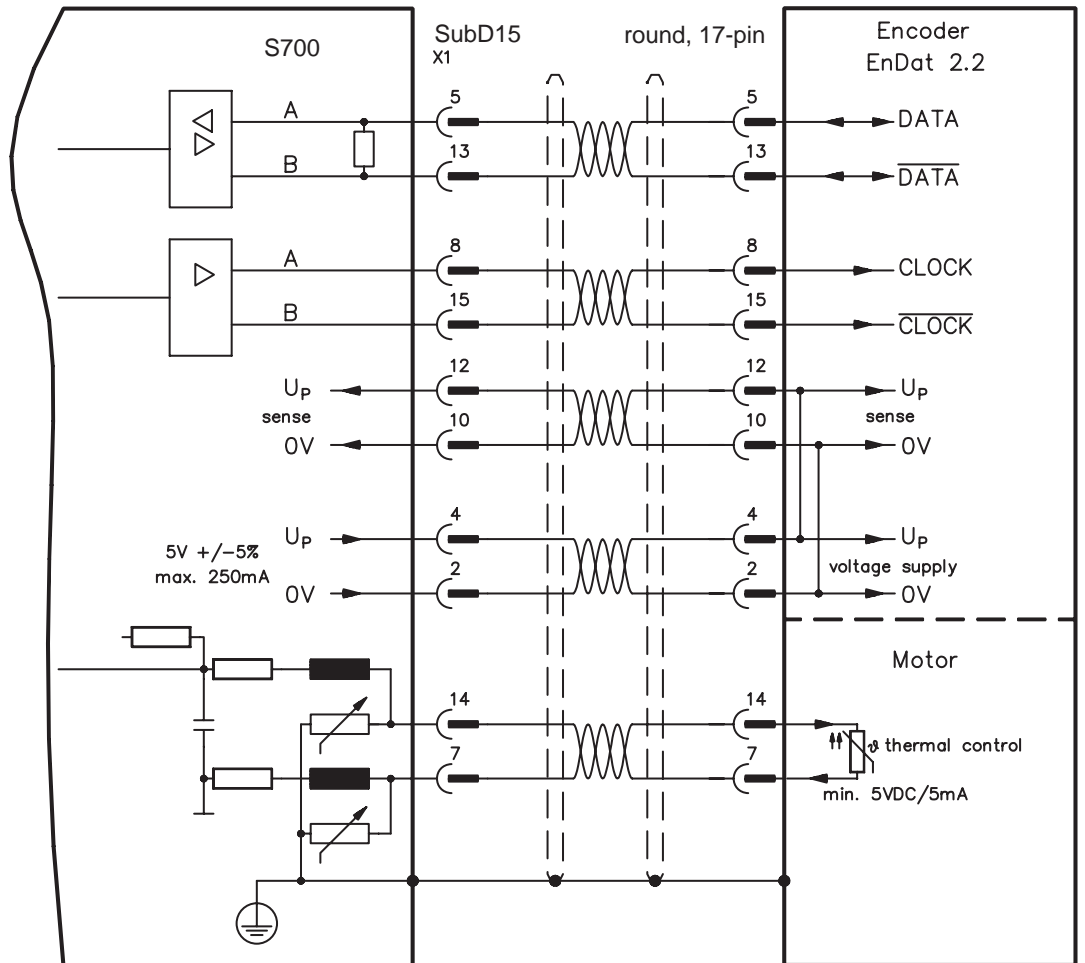
8.12.4 Sine Encoder with EnDat 2.2 (X1)

Wiring of a single-turn or multi-turn sine-cosine encoder with EnDat 2.2 interface as a feedback system (primary, ⇨ p.63). The thermal control in the motor is connected via the encoder cable to X1 and evaluated there. All signals are connected using our pre-assembled encoder connection cable.

If cable lengths of more than 50m are planned, please consult our customer service.

Frequency limit (sin, cos): 350 kHz

Type	FATYPE	EXTPOS	GEARMODE
ENDAT 2.2	32	-	-



The pin assignment shown on the encoder side relates to the Kollmorgen motors.

8.12.5 Sine Encoder with HIPERFACE (X1)

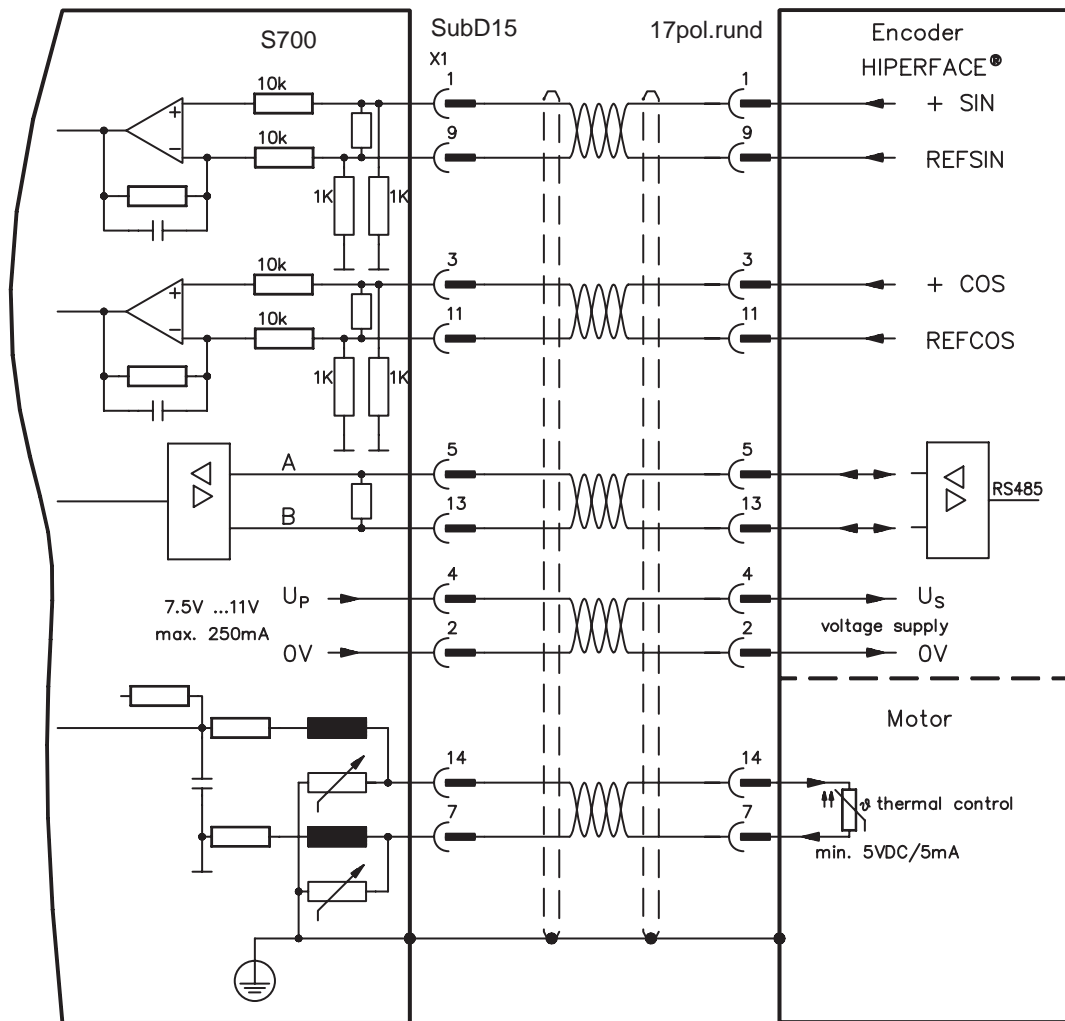
Wiring of a single-turn or multi-turn sine-cosine encoder with HIPERFACE interface as a feedback system (primary and secondary, ⇒ p.63).

The thermal control in the motor is connected via the encoder cable to X1 and evaluated there. All signals are connected using our pre-assembled encoder connection cable.

If cable lengths of more than 50m are planned, please consult our customer service.

Frequency limit (sin, cos): 350 kHz

Type	FBTYP	EXTPOS	GEARMODE
HIPERFACE	2	9	9



The pin assignment shown on the encoder side relates to the Kollmorgen motors.

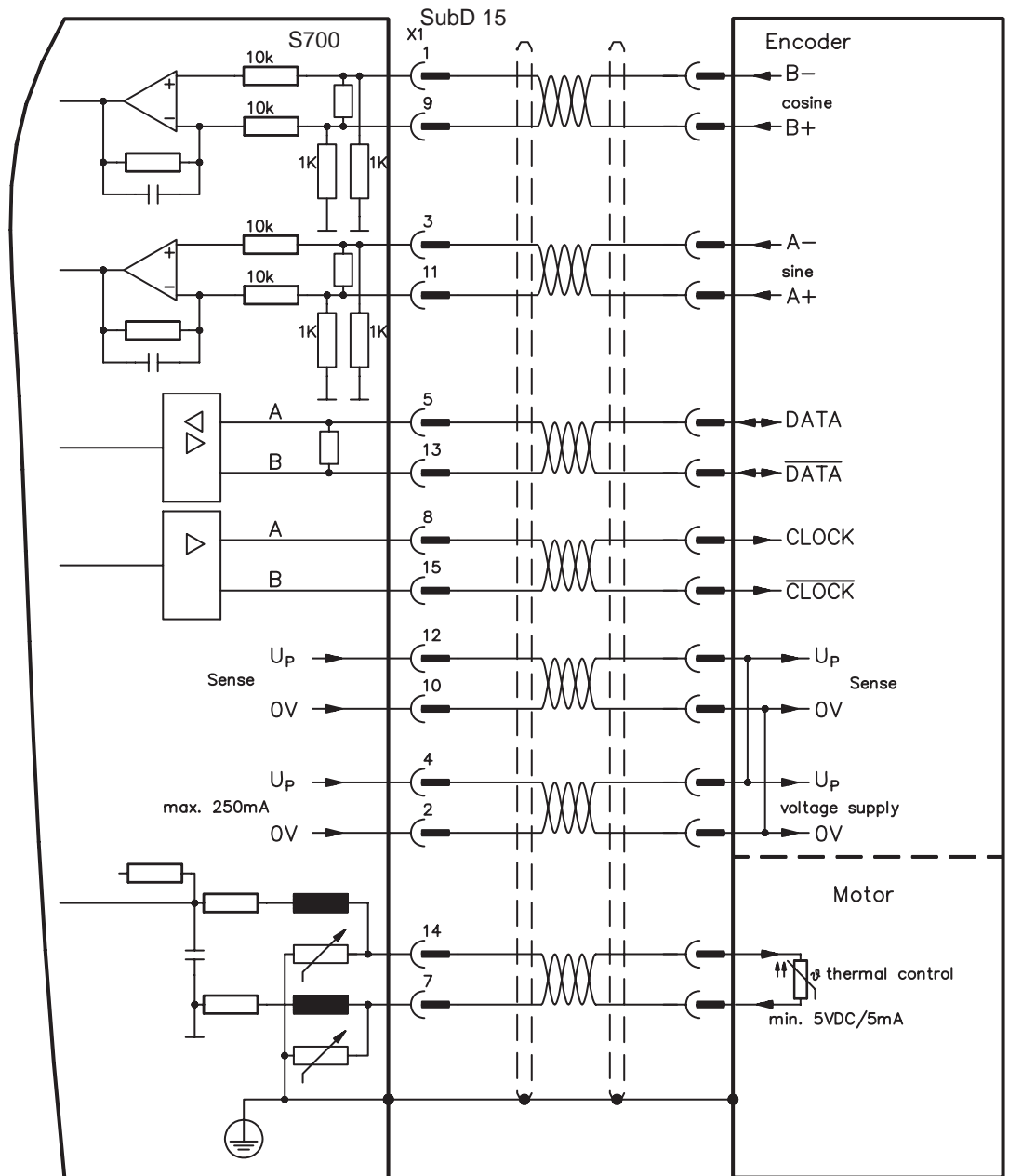
8.12.6 Sine Encoder with SSI (X1)

Wiring of sine-cosine encoder with SSI interface as a linear feedback system (primary, ⇒ p.63).

The thermal control in the motor is connected via the encoder cable to X1 and evaluated there. All signals are connected using our pre-assembled encoder connection cable. If cable lengths of more than 50m are planned, please consult our customer service.

Frequency limit (sin, cos): 350 kHz

Type	FBTYP	EXTPOS	GEARMODE
SinCos SSI 5V linear	26	-	-



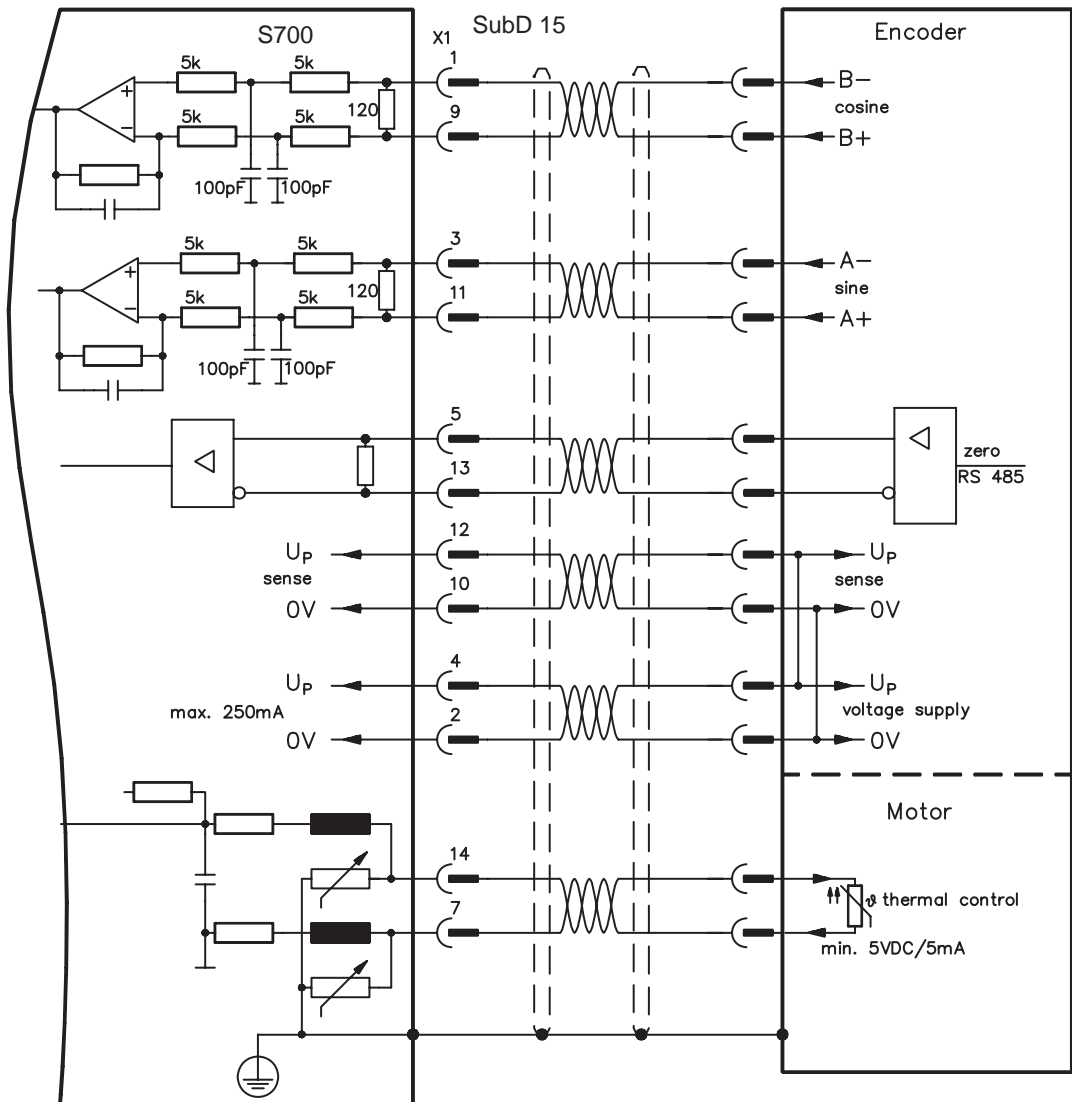
8.12.7 Sine Encoder without data channel (X1)

Wiring of a sine-cosine encoder without data channel as a feedback (primary and secondary, ⇒ p.63). Every time the 24V auxiliary voltage is switched on, the amplifier needs start-up information for the position controller (parameter value MPHASE). Depending on the feedback type either wake&shake is executed or the value for MPHASE is read out of the amplifier's EEPROM.

**⚠ WARNING** With vertical load the load could fall during wake&shake, because the brake is not active and torque is not sufficient to hold the load.  
 Don't use this feedback type with vertical load (hanging load).

The thermal control in the motor is connected via the encoder cable to X1 and evaluated there. If lead lengths of more than 50m are planned, please consult our customer service. Frequency limit (sin, cos): 350 kHz

Type	FBTYP	EXTPOS	GEARMODE	Up	Remarks
SinCos 5V	1	6	6	5V +/-5%	MPHASE from EEPROM
SinCos 12V	3	7	7	7,5...11V	MPHASE from EEPROM
SinCos 5V	7	6	6	5V +/-5%	MPHASE wake & shake
SinCos 12V	8	7	7	7,5...11V	MPHASE wake & shake



8.12.8 Sine Encoder with Hall (X1)

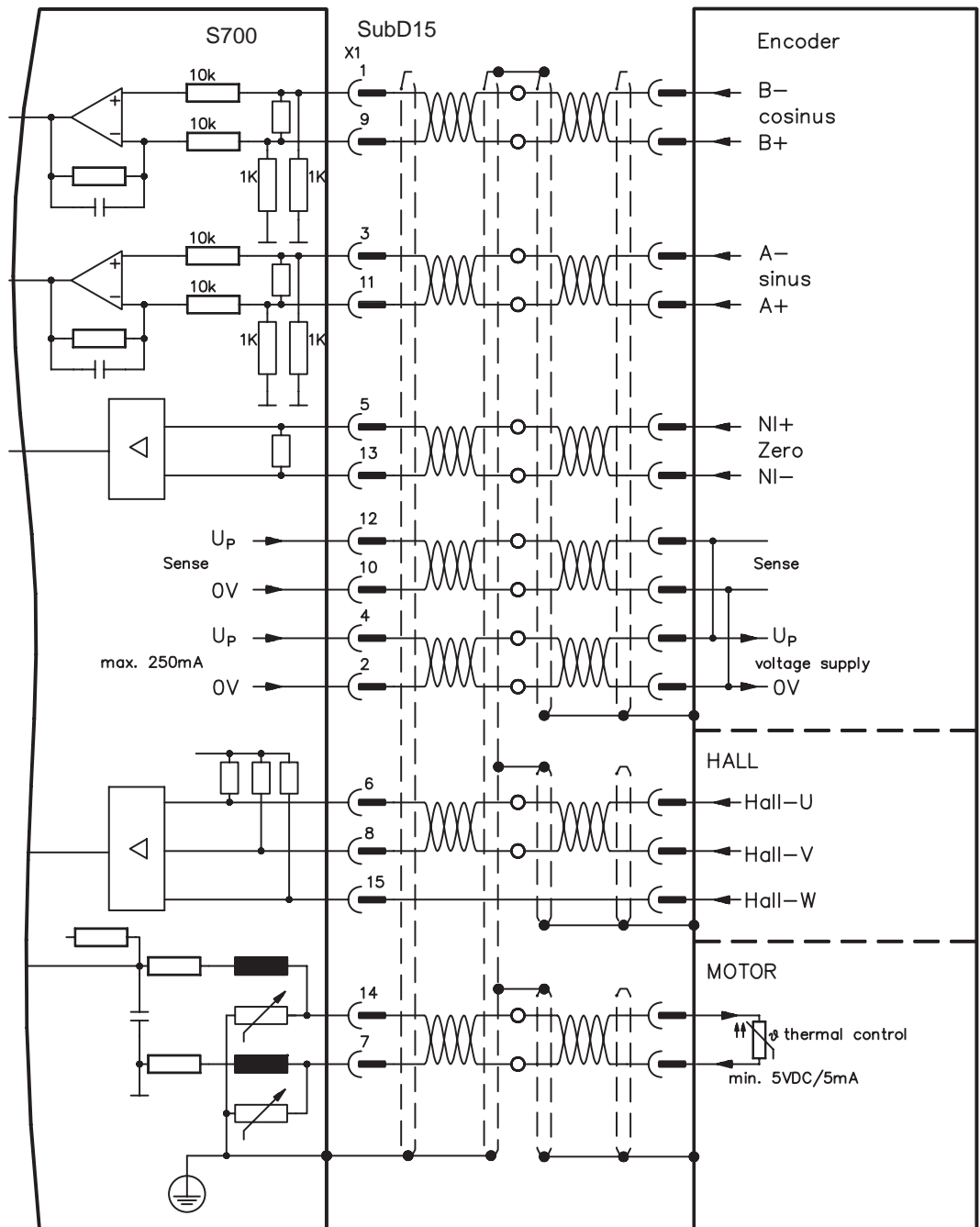
Feedback devices (incremental or sine-cosine), which don't deliver an absolute information for commutation, can be used as complete feedback system combined with an additional Hall encoder (primary, ⇒ p.63).

The thermal control in the motor is connected to X1 and evaluated there.

All signals are connected to X1 and evaluated there. If cable lengths of more than 25m are planned, please consult our customer service.

Frequency limit (sin, cos): 350 kHz

Type	FBTYPE	EXTPOS	GEARMODE	Up
SinCos 5V with Hall	5	-	-	5V +/-5%
SinCos 12V with Hall	6	-	-	7,5...11V



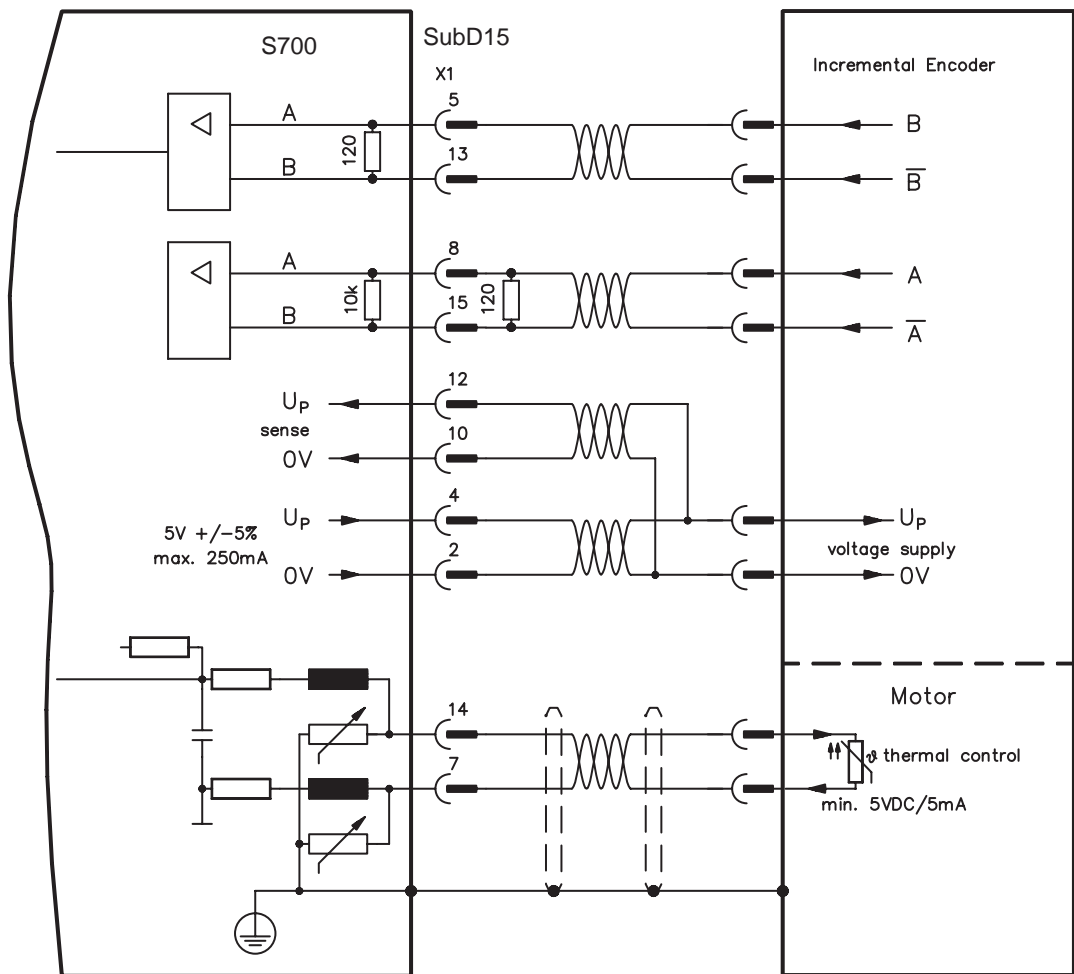
8.12.9 ROD (AquadB) 5V, 1.5MHz (X1)

Wiring of a 5V incremental encoder (ROD, AquadB) as a feedback (primary or secondary, ⇒ p.63). Every time the 24V auxiliary voltage is switched on, the amplifier need start-up information for the position controller (parameter value MPHASE). Depending on the setting of FBTYPE a wake&shake is executed or the value for MPHASE is taken out of the servo amplifier's EEPROM.

The thermal control in the motor is connected via the encoder cable to X1 and evaluated there. All signals are connected using our pre-assembled encoder connection cable. If cable lengths of more than 50m are planned, please consult our customer service.

Frequency limit (A, B): 1,5MHz

Type	FBTYPE	EXTPOS	GEARMODE	Remarks
AquadB 5V	31	30	30	MPHASE from EEPROM
AquadB 5V	30	30	30	MPHASE wake & shake





8.12.10 ROD (AquadB) 5V, 350kHz (X1)

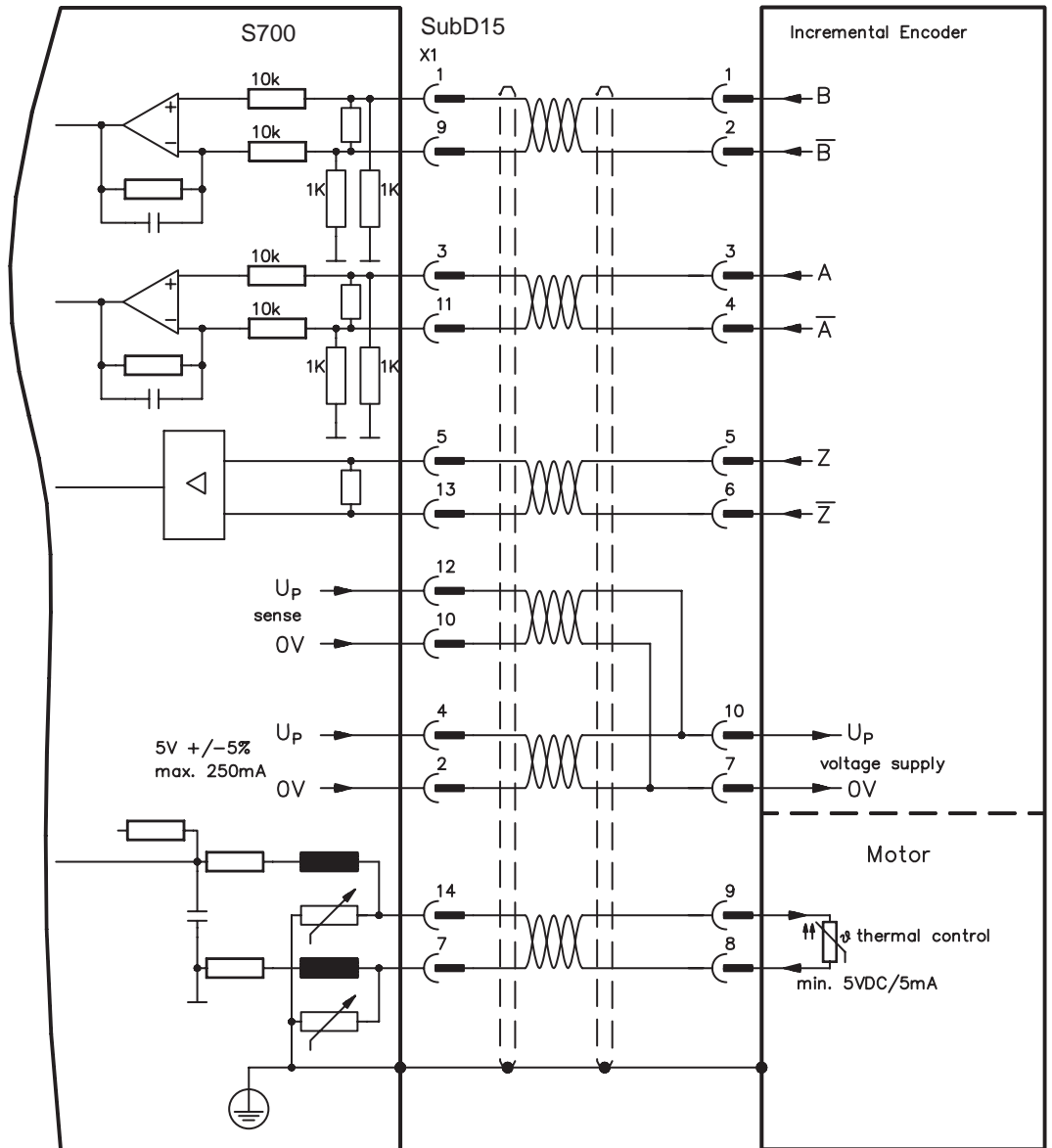
Wiring of a 5V incremental encoder (ROD, AquadB) as a feedback (primary or secondary, ⇨ p.63). Every time the 24V auxiliary voltage is switched on, the amplifier need start-up information for the position controller (parameter value MPHASE). With this feedback type the amplifier executes a wake&shake every time the 24V auxiliary voltage is switched on.

**⚠ WARNING** With vertical load the load could fall during wake&shake, because the brake is not active and torque is not sufficient to hold the load. Don't use this feedback type with vertical load (hanging load).

The thermal control in the motor is connected to X1 and evaluated there. If lead lengths of more than 50m are planned, please consult our customer service.

Frequency limit (A, B): 350 kHz

Type	FBTYP	EXTPOS	GEARMODE	Remarks
AquadB 5V	27	10	10	MPHASE from EEPROM
AquadB 5V	17	10	10	MPHASE wake & shake



The pin assignment shown on the encoder side relates to the Kollmorgen motors.

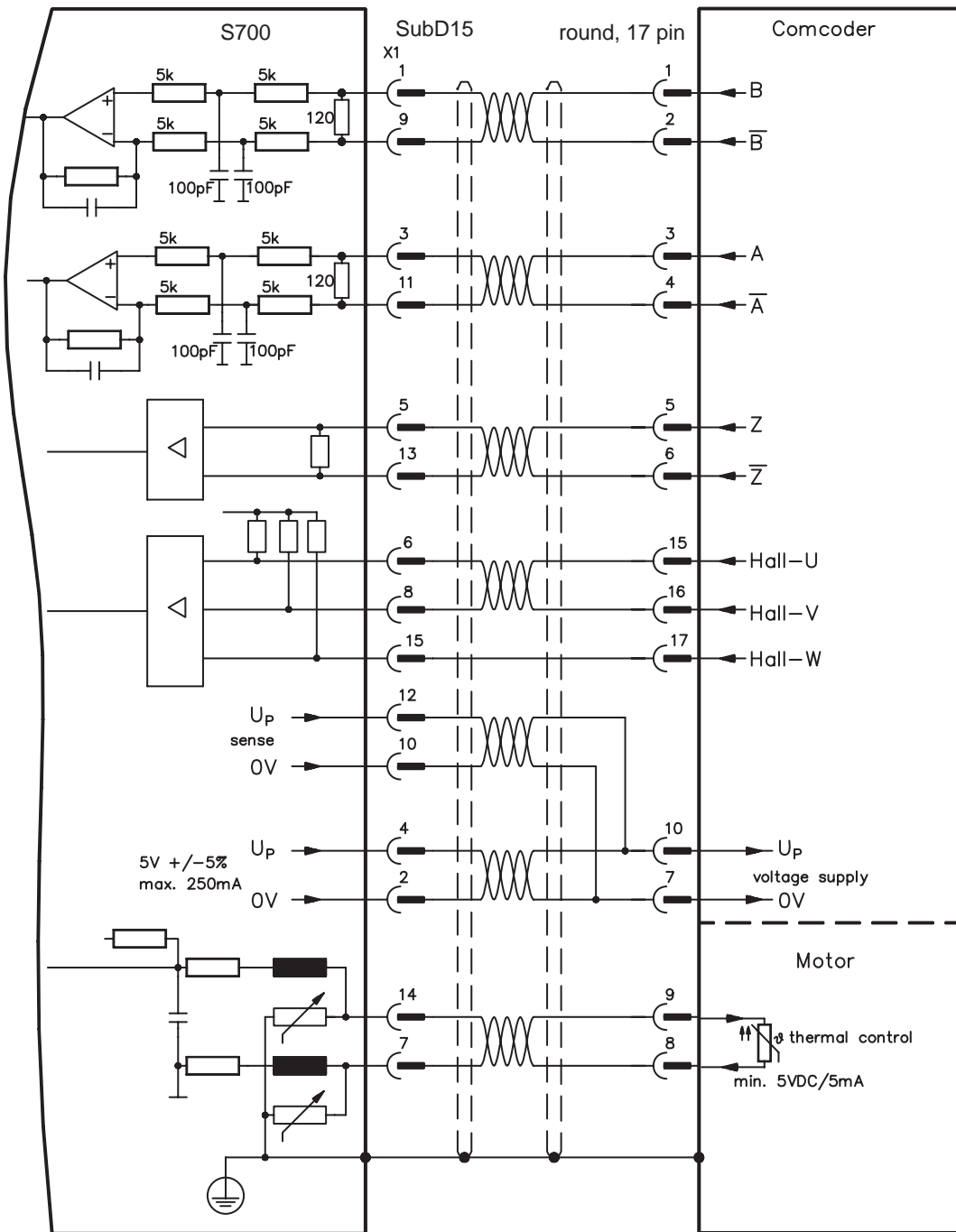
8.12.11 ROD (AquadB) 5V, 350kHz with Hall (X1)

Wiring of a ComCoder as a feedback unit (primary, ⇒ p.63). For the commutation hall sensors are used and for the resolution an incremental encoder.

The thermal control in the motor is connected to X1 and evaluated there. With our ComCoder cable all signals are connected correctly. If cable lengths of more than 25m are planned, please consult our customer service. With separate feedback devices (Encoder and Hall are two devices) the wiring must be done similar to chapter 8.12.8, but the amplifier's pinout is identical to the wiring diagram shown below.

Frequency limit (A,B): 350 kHz

Type	FATYPE	EXTPOS	GEARMODE
AquadB 5V + Hall	15	-	-



The pin assignment shown on the encoder side relates to the Kollmorgen motors.

8.12.12 ROD (AquadB) 24V (X3)

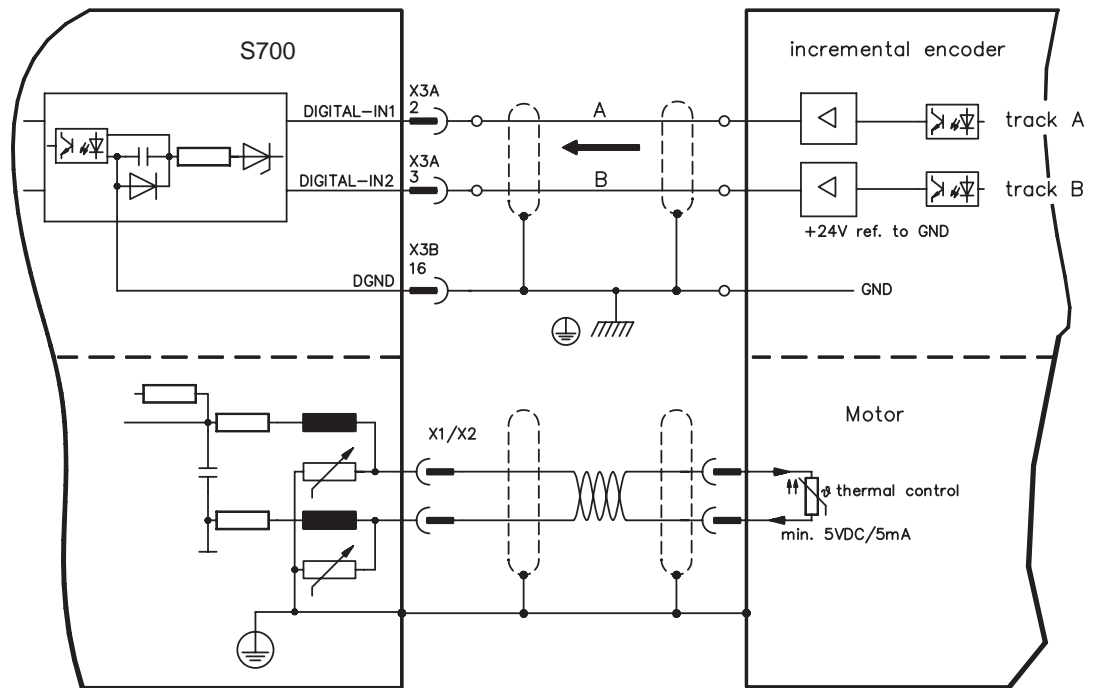
Wiring of a 24V incremental encoder (ROD AquadB) as a feedback system (primary or secondary, ⇒ p.63). This uses the digital inputs DIGITAL-IN 1 and 2 on connector X3. Every time the 24V auxiliary voltage is switched on, the amplifier need start-up information for the position controller (parameter value MPHASE). With this feedback type the amplifier executes a wake&shake is executed every time the 24V auxiliary voltage is switched on.

**⚠ WARNING** With vertical load the load could fall during wake&shake, because the brake is not active and torque is not sufficient to hold the load. Don't use this feedback type with vertical load (hanging load).

The thermal control in the motor is connected to X1 or X2. If cable lengths of more than 25m are planned, please consult our customer service.

Frequency limit: 100 kHz, transition time  $t_v \leq 0.1\mu s$

Type	FBTYP	EXTPOS	GEARMODE	Remarks
AquadB 24V	12	2	2	MPHASE from EEPROM
AquadB 24V	16	2	2	MPHASE wake & shake



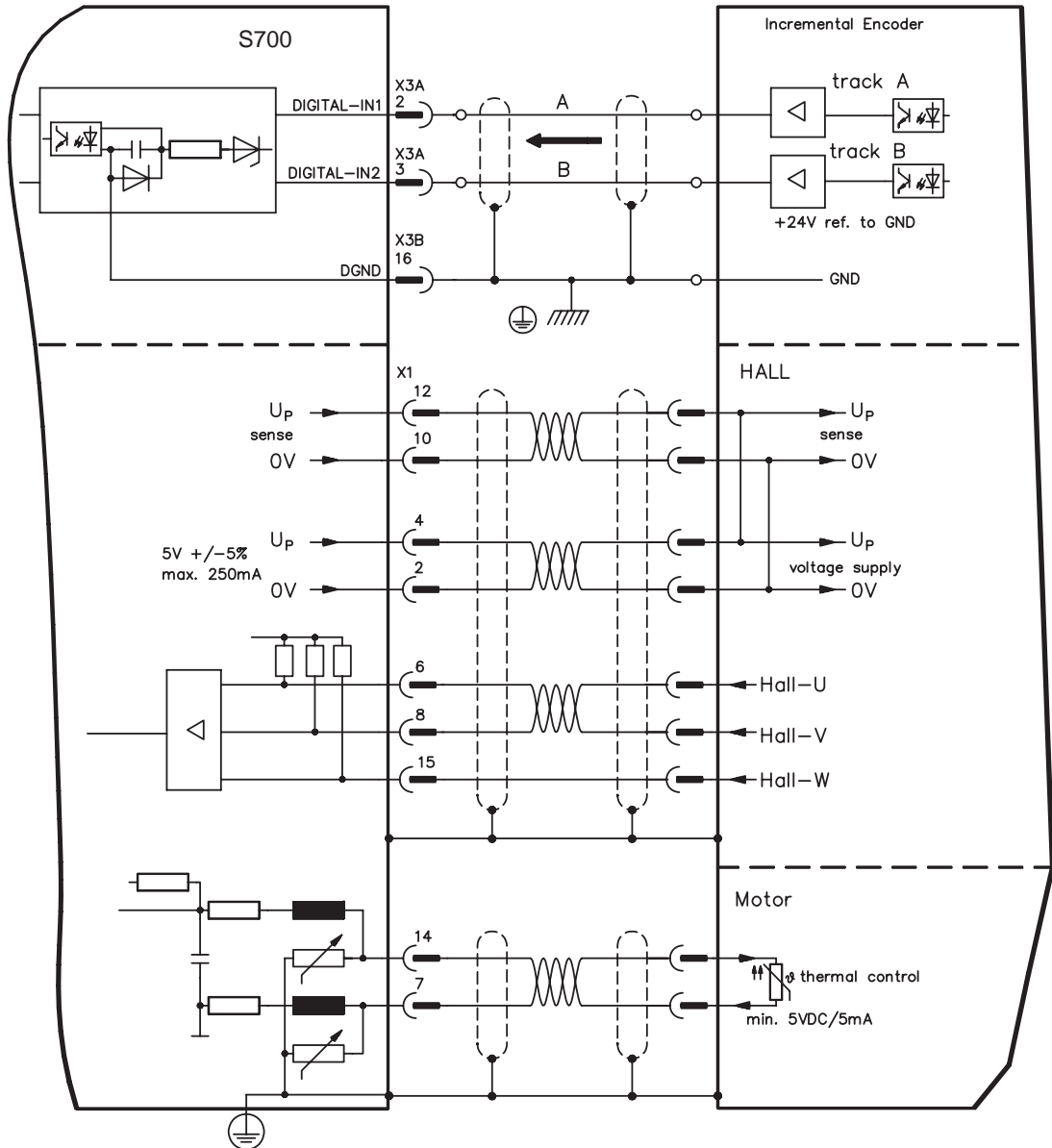
8.12.13 ROD (AquadB) 24V with Hall (X3, X1)

Wiring of a 24V incremental encoder (ROD, AquadB) and Hall sensors as a feedback unit (primary, ⇒ p.63). For the commutation hall sensors are used and for the resolution an incremental encoder.

The thermal control in the motor is connected to X1 and evaluated there. If cable lengths of more than 25m are planned, please consult our customer service.

Frequency limit X3: 100 kHz, X1: 350 kHz

Type	FBTYP	EXTPOS	GEARMODE
AquadB 24V + Hall	14	-	-

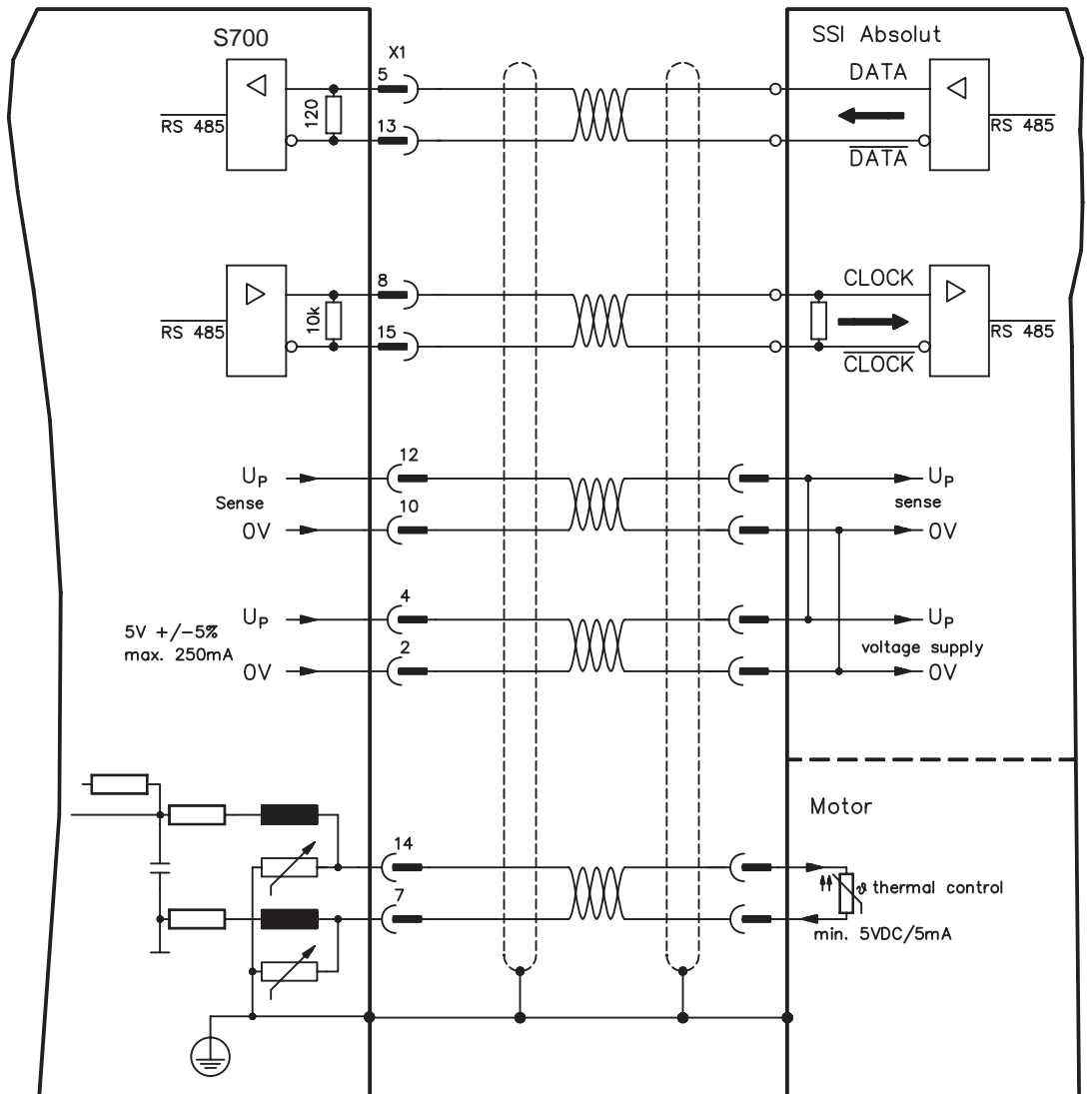


8.12.14 SSI Encoder (X1)

Wiring of a synchronous serial absolute-encoder as a feedback system (primary or secondary, ⇒ p.63). The signal sequence can be read in **Gray** code or in **Binary** (standard) code. The thermal control in the motor is connected to X1 and evaluated there. If cable lengths of more than 50m are planned, please consult our customer service.

Frequency limit: 1.5MHz  
 Resolution/turn: max. 16 Bit  
 Turns: max. 16 Bit

Type	FBTYP	EXTPOS	GEARMODE
SSI	25	25	25



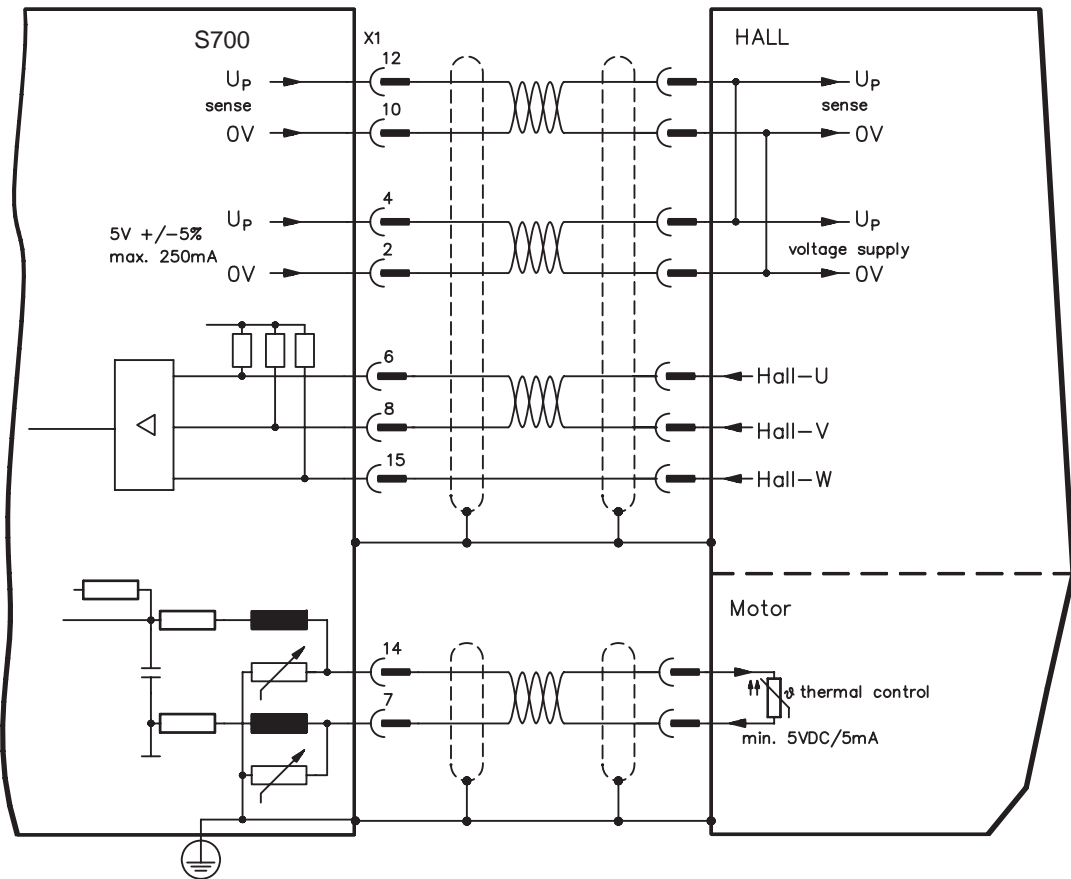
8.12.15 Hall sensors (X1)

Wiring of Hall sensors as a feedback unit (primary, ⇒ p.63).

The thermal control in the motor is connected to X1 and evaluated there. If cable lengths of more than 25m are planned, please consult our customer service.

Frequency limit: 350 kHz

Type	FBTYP	EXTPOS	GEARMODE
Hall	11	-	-



## 8.13 Electronic Gearing, Master-slave operation

In the case of the "electronic gearing" functionality (see setup software and description of GEARMODE parameter), the servo amplifier is controlled by a secondary feedback device as a slave.

It is possible to set up master/slave systems, use an external encoder as a setpoint encoder or connect the amplifier to a stepper motor control.

The amplifier is parameterized using the setup software (electronic gearing, parameter GEARMODE).

The resolution (number of pulses per revolution) can be adjusted.

### 8.13.1 External Encoder types

The following types of external encoder can be used:

Secondary Feedback type	Frequency limit	Connector	Wiring diagram	GEARMODE
SinCos Encoder BiSS digital	350kHz	X1	⇒ p.65	11
SinCos Encoder ENDAT 2.1	350kHz	X1	⇒ p.66	8
SinCos Encoder HIPERFACE	350kHz	X1	⇒ p.68	9
SinCos Encoder without data channel	350kHz	X1	⇒ p.70	6, 7
ROD* (AquadB) 5V	1.5MHz	X1	⇒ p.72	30
ROD* (AquadB) 5V	350kHz	X1	⇒ p.73	10
ROD* (AquadB) 24V	100kHz	X3	⇒ p.75	2
SSI 5V	350kHz	X1	⇒ p.77	25
Step/direction 5V	1.5MHz	X1	⇒ p.80	27
Step/direction 24V	100kHz	X3	⇒ p.80	1

With a "PosI/O" or "PosI/O-Monitor" expansion card in slot 2 or 3, the following encoder types can be used:

Secondary Feedback type	Frequency limit	Connector	Wiring diagram	GEARMODE
SSI 5V	1.5MHz	X5	⇒ p.125	5
ROD* (AquadB) 5V	1.5MHz	X5	⇒ p.126	3
Step/direction 5V	1.5MHz	X5	⇒ p.126	4

\* ROD is an abbreviation for incremental encoder

8.13.2 Connection to stepper motor controllers (step and direction)

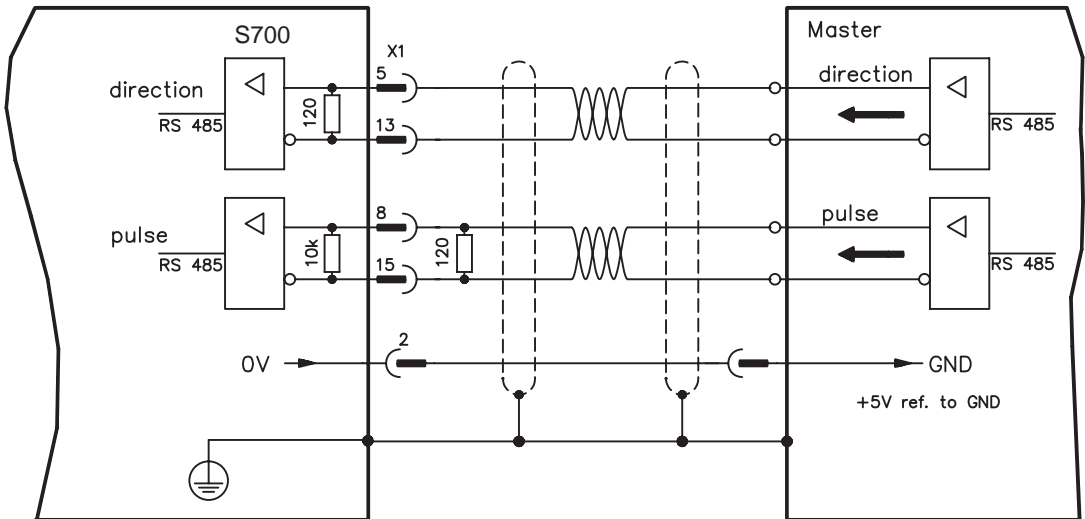
You can connect the servo amplifier to a third-party stepper-motor controller. Parameter setting for the slave amplifier is carried out with the aid of the setup software (electronic gearing). The number of steps can be adjusted, so that the servo amplifier can be adapted to match the step-direction signals of any stepper controller. Various monitoring signals can be generated.

**NOTE** Using an A quad B encoder provides better EMC noise immunity.

8.13.2.1 Step/Direction with 5 V signal level (X1)

Wiring of the servo amplifier (SubD connector X1) to a stepper-motor controller with a 5V signal level. Frequency limit: 1.5 MHz

Type	FBTYP	EXTPOS	GEARMODE
Step/direction 5V	-	-	27

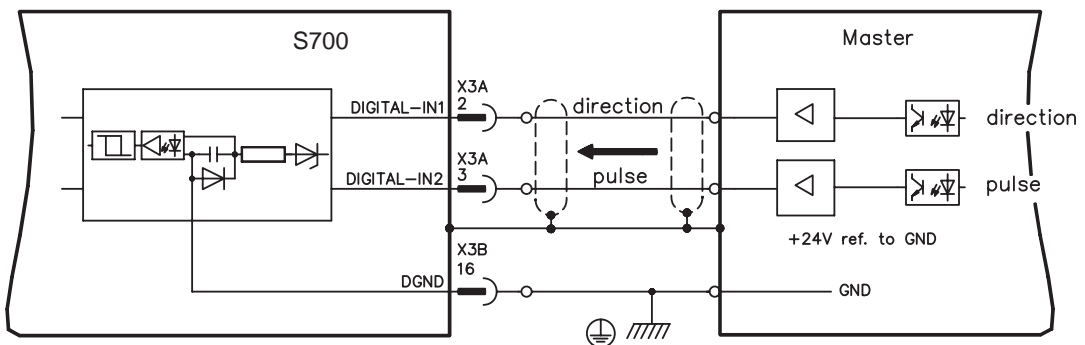


8.13.2.2 Step/Direction with 24 V signal level (X3)

Wiring of the servo amplifier to a stepper-motor controller with a 24 V signal level. Used are the digital inputs DIGITAL-IN 1 and 2 on connector X3.

Frequency limit: 100 kHz,

Type	FBTYP	EXTPOS	GEARMODE
Step/direction 24V	-	-	1





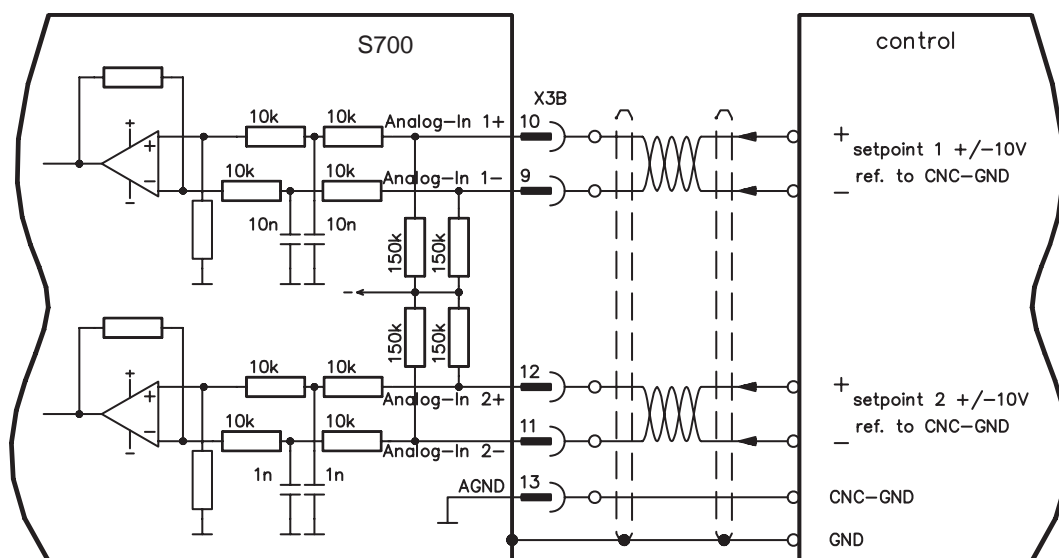
## 8.14 Digital and analog inputs and outputs

### 8.14.1 Analog Inputs (X3B)

The servo amplifier is fitted with two **programmable** differential inputs for analog set-points. AGND (X3B/13) must always be joined to the GND of the controls as a ground reference.

#### Technical characteristics

- Differential-input voltage max.  $\pm 10$  V
- Ground reference AGND, terminal X3B/13
- Input resistance 150 k $\Omega$
- Common-mode voltage range for both inputs  $\pm 10$  V
- Update rate 62.5  $\mu$ s



#### Analog-In 1 input (terminals X3B/10-9)

Differential input voltage max.  $\pm 10$  V, resolution 16 Bit (accuracy 13 Bit), scalable.  
Standard setting: speed setpoint

#### Analog-In 2 input (terminals X3B/12-11)

Differential input voltage max.  $\pm 10$  V, resolution 16 Bit (accuracy 13 Bit), scalable.  
Standard setting: torque setpoint

Application examples for setpoint input Analog-In 2:

- adjustable external current limit
- reduced-sensitivity input for setting-up/jog operation
- pre-control / override

If an input was freshly assigned to a pre-programmed function, then the data set must be saved in the EEPROM of the servo amplifier and a reset has to be carried out (with the amplifier setup software for example).

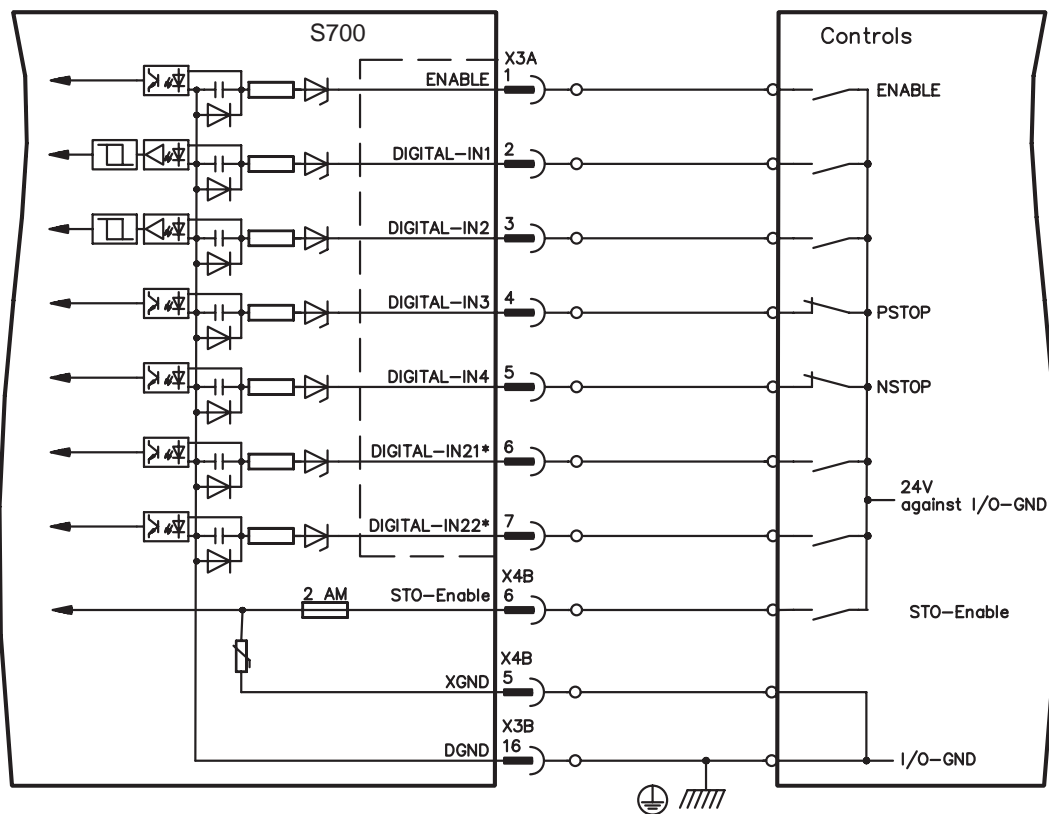
#### Defining the direction of rotation

Standard setting : clockwise rotation of the motor shaft (looking at the shaft end)

- Positive voltage between terminal X3B/10 (+) and terminal X3B/9 (-) or
- Positive voltage between terminal X3B/12 (+) and terminal X3B/11 (-)

To reverse the direction of rotation, swap the connections to terminals X3B/10-9 or X3B/12-11 respectively, or change the COUNT DIRECTION parameter in the "Feedback" screen page.

## 8.14.2 Digital Inputs (X3A/B, X4B)



\* DIGITAL-IN 21 and 22 must be defined as inputs using the setup software ("Digital I/O" screen page).

## 8.14.2.1 Connector X4B

You can thus achieve a restart lock-out for personnel safety by using the STO-Enable input in conjunction with an external safety circuit.

**Input STO-ENABLE (X4B/6)**

- Floating, reference ground is XGND
- 20V...30V / 33mA...40mA

**NOTE**

**These inputs are not compatible with IEC 61131-2.**

These additional digital inputs releases the power output stage of the amplifier as long as a 24 V signal is applied to these inputs. If the STO input goes open-circuit, then power will no longer be supplied to the motor, **the drive will lose all torque and coast down to a stop.**

**CAUTION**

**Failsafe braking of the drive, if required, must be provided by means of an additional mechanical brake, since electrical braking by the drive is no longer possible.**

You can find further information and connection examples on page 37ff.

### 8.14.2.2 Connector X3A/B

#### Input ENABLE

- PLC compatible (IEC 61131-2 type 1), floating, reference ground is DGND
- High: 15...30 V / 2...15 mA , Low: -3...5 V / <1mA
- Update rate: Software 250 µs

The output stage of the servo amplifier is enabled by applying the ENABLE signal (Terminal X3A/1, **active high**). Enable is possible only if inputs STOx-Enable have a 24 V signal (see page 37ff). In the disabled state (low signal) the connected motor has no torque.

A software enable by means of the setup software is also required (AND link), although this can also be permanently enabled ("Basic Setup" screen page of the DRIVEGUI.EXE setup software).

#### Programmable digital inputs (X3):

You can use the digital inputs X3A/2...7 to initiate pre-programmed functions that are stored in the servo amplifier. A list of these pre-programmed functions can be found on the "Digital I/O" screen page of our setup software.

If an input was freshly assigned to a pre-programmed function, then the data set must be saved in the EEPROM of the servo amplifier and a reset has to be carried out (with the amplifier setup software for example).

#### Digital Inputs DIGITAL-IN 1...2 (X3A/2,3):

These inputs are particularly fast and are therefore suitable for latch functions or for high-speed feedback signals, for example.

- PLC compatible (IEC 61131-2 type 1), floating, reference ground is DGND
- High: 15...30 V / 2...15 mA , Low: -3...5 V / <1mA
- Update rate: Hardware 2µs

#### Digital Inputs DIGITAL-IN 3...4 (X3A/4,5):

The PSTOP and NSTOP limit switch evaluation functions, for instance, can be assigned to these inputs. Choose the function you require in the setup software ("Digital I/O" screen page).

- PLC compatible (IEC 61131-2 type 1), floating, reference ground is DGND
- High: 15...30 V / 2...15 mA, Low: -3...5 V / <1mA
- Update rate: Software 250 µs

#### Digital Inputs DIGITAL-IN 21...22 (X3A/6,7):

Pins 6 and 7 on X3A can be used as either inputs or outputs. Choose the function you require in the setup software ("Digital I/O" screen page).

- PLC compatible (IEC 61131-2 type 1), floating, reference ground is DGND
- High: 15...30 V / 2...15 mA, Low: -3...5 V / <1mA
- Update rate: Software 250 µs

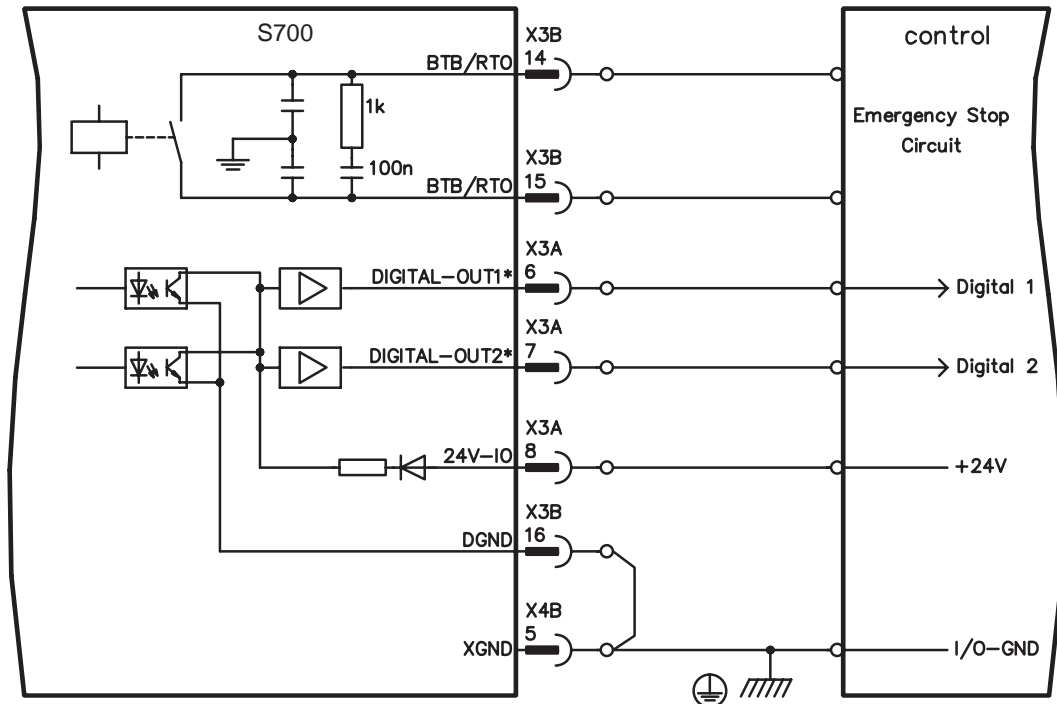
**NOTE**

Depending on the selected function the inputs are high or low active.

## 8.14.3 Digital Outputs (X3A/B)

Technical characteristics

- Power supply at terminals X3A/8 (24V-IO) and X3B/16 (DGND)
- All digital outputs are floating
- 24V-IO : 20V DC ... 30V DC
- DIGITAL-OUT1 / 2 : PLC compatible (IEC 61131-2 type 1), max. 100mA
- BTB/RTO : Relay output, max. 30V DC or 42V AC, 0.5A
- Update rate : 250  $\mu$ s



\* DIGITAL-OUT 1 and 2 must be defined as outputs using the setup software ("Digital I/O" screen page).

Ready-to-operate contact BTB/RTO (X3B/14,15)

Operational readiness (terminals X3B/14 and X3B/15 ) is signaled by a **floating** relay contact. The contact is **closed** when the servo amplifier is ready for operation, and the signal is **not** influenced by the enable signal, the I<sup>2</sup>t-limit, or the brake threshold.

**NOTE**

All faults cause the BTB/RTO contact to open and the output stage to be switched off (if the BTB/RTO contact is open, the output stage is inhibited -> no power output). A list of the error messages can be found on page 104.

Programmable digital outputs DIGITAL-OUT 1 / 2 (X3A/6,7):

Pins 6 and 7 on X3A can be used as either inputs or outputs. Choose the function you require in the setup software. The outputs are floating outputs, so the 24 V switching voltage must be provided by an external supply.

If they are programmed as digital outputs, messages from pre-programmed functions stored in the servo amplifier can be output here.

A list of these pre-programmed functions can be found on the "I/O digital" screen page of our setup software.

If an output is to be freshly assigned to a pre-programmed function, then the parameter set must be saved in the EEPROM of the servo amplifier and a reset has to be carried out (with the amplifier setup software for example).

### 8.15 RS232 interface, PC connection (X6)

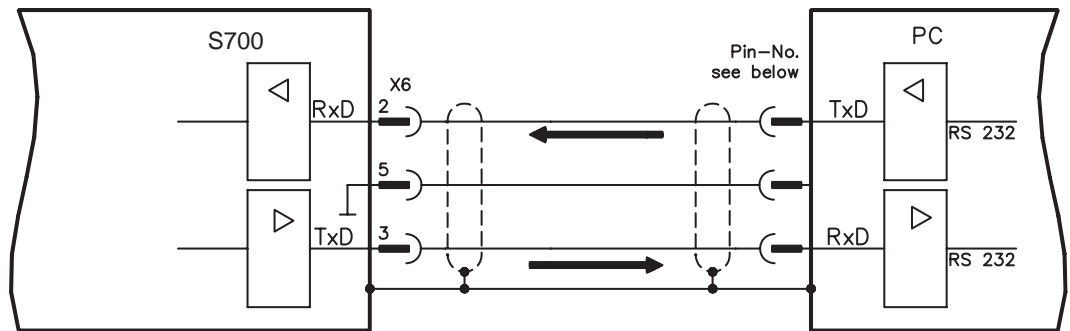
Operating, position control, and motion-block parameters can be set up by using the setup software on an ordinary commercial PC (see p.91).

Connect the PC interface (X6) of the servo amplifier to a serial interface on the PC, **while the supply to the equipment is switched off.**

**NOTE**

**Do not use a null-modem power link cable!**

This interface has the same electrical potential as the CANopen interface.

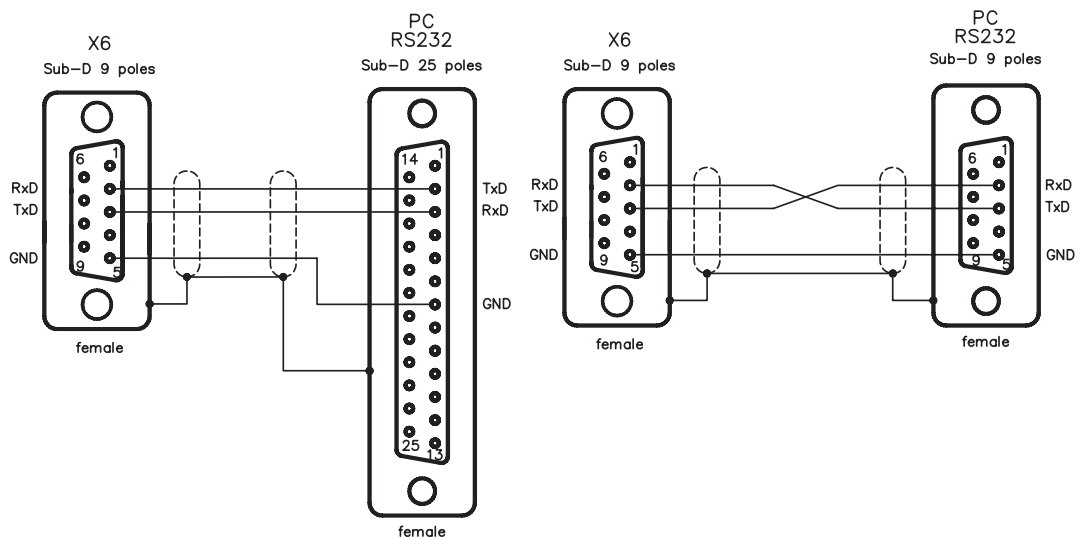


The interface is selected and set up in the setup software.  
Further notes on page 90.

With the optional expansion module -2CAN- the two interfaces for RS232 and CAN, which otherwise use the same connector X6, are separated onto two connectors ⇒ p.119).

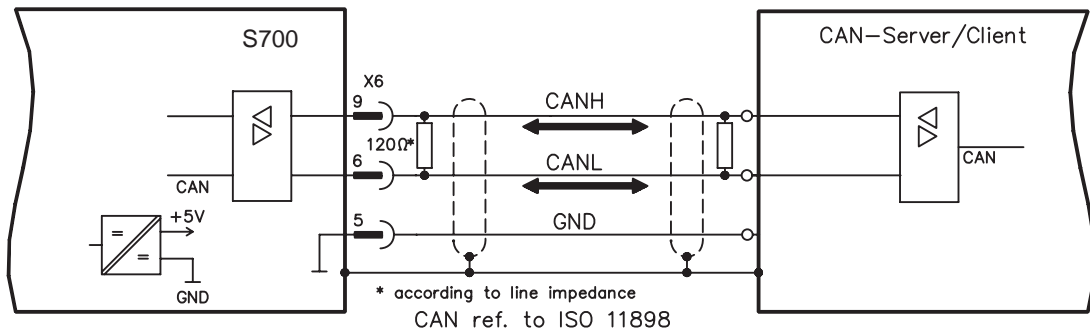
Interface cable between the PC and servo amplifiers of the S700 series:

(View : looking at the solder side of the SubD sockets on the cable)



### 8.16 CANopen interface (X6)

The interface for connection to the CAN-bus (default : 500 kBaud). The integrated profile is based on the CANopen DS301 communication profile and the DS402 drive profile. The following functions are available in connection with the position controller: Jogging with variable speed, homing run (zeroing to reference), start motion task, start direct task, digital setpoint provision, data transmission functions and many others. Detailed information can be found in the CANopen manual. The interface is at the same electrical potential as the RS232 interface. The analog setpoint inputs can still be used. With the optional expansion module -2CAN- the two interfaces for RS232 and CAN, which otherwise use the same connector X6, are separated onto two connectors ⇒ p.119).



#### CAN-bus cable

To meet ISO 11898, a bus cable with a characteristic impedance of 120 Ω should be used. The maximum usable cable length for reliable communication decreases with increasing transmission speed. As a guide, you can use the following values which we have measured, but they are not to be taken as assured limits:

<b>Cable data:</b>	Characteristic impedance	100-120 Ω
	Cable capacitance	max. 60 nF/km
	Lead loop resistance	159.8 Ω/km

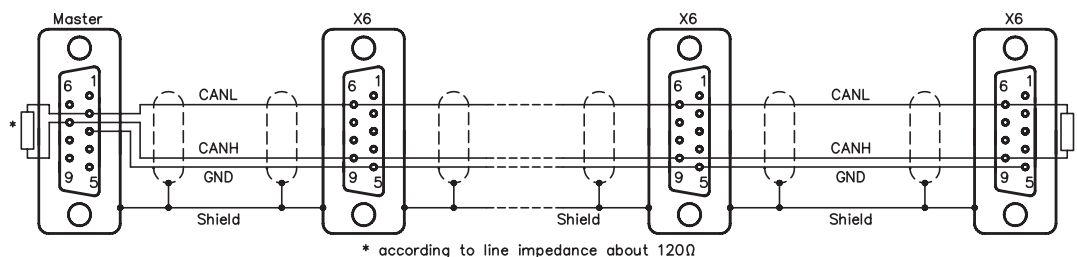
#### Cable length, depending on the transmission rate

Transmission rate (kBaud)	max. cable length (m)
1000	10
500	70
250	115

Lower cable capacitance (max. 30 nF/km) and lower lead resistance (loop resistance, 115 Ω/km) make it possible to achieve greater distances. (Characteristic impedance 150 ± 5 Ω ⇒ terminating resistor 150 ± 5 Ω).

For EMC reasons, the SubD connector housing must fulfill the following requirements:

- metal or metalized housing
- provision for cable shielding connection on the housing, large-area connection



## 8.17 EtherNET interface (X7)

This interface with its two RJ-45 connectors can be used for communicating with various fieldbus devices depending on the used firmware version:

- EtherCAT(standard, CAN over EtherCAT)
- SYNQNET (in process)
- PROFINET (in process)
- EtherNET IP (in process)
- SERCOS III (in process)
- EtherNET TCP/IP (in process)

### **NOTE**

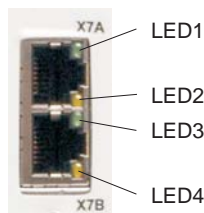
The interface is deactivated, if a field bus extension card is inserted to an extension slot.

The protocol that has been installed with the firmware must be enabled (ASCII command ETHMODE).

**Standard setting:** if an EtherCAT connection is detected while booting the servo amplifier, then EtherCAT is activated, otherwise CANopen (see p. 86) is activated

With the Download Tool (on the product CDRom and within the download area of our website) the different firmware versions can be loaded into the servo amplifier.

The communication status is indicated by the built-in LEDs.



Connector	LED#	Name	Function
X7A	LED1	LINK_IN	ON = receive valid (IN port) OFF = not valid, power off or reset.
	LED2	CYCLIC	ON = network cyclic BLINK = network not cyclic OFF = power off or reset
X7B	LED3	LINK_OUT	ON = receive valid (OUT port) OFF = not valid, power off or reset
	LED4	REPEATER	ON = repeater on, network cyclic BLINK = repeater on, network not cyclic OFF = repeater off, power off or reset

## 8.18 Memory card



In the top of the servo amplifier there is a card reader for memory cards. The firmware and a full set of parameters (with control buttons and setup software) can be stored on the memory card and reloaded onto the servo amplifier. MMC and SD cards are supported.

This function means that a replacement device or identical shafts in standard production machines can be set up very quickly and easily.

Uploads and Downloads from and to the memory card can be started with the keypad or with the setup software using. Operating with ASCII commands is described in the Product-WIKI on page "[Memory Card](#)".

The functionality is supported from hardware revision 2.10.

### NOTE

**Always switch off the S700 before inserting or removing the memory card. If an absolute encoder is used, homing must be carried out before the parameters are loaded onto a new device.**

To download new firmware to an amplifier without a PC connection, proceed as follows:

1. Save the firmware to be programmed onto a memory card under the name "default.s19" (S-record format) or "default.bin" (binary format).
2. Disconnect the power to the amplifier (24 V supply OFF) and insert the card in the memory card slot on the amplifier.
3. Press and hold down both operating keys (▲ ▼) and switch on the 24 V supply voltage to the amplifier. "—" appears in the display to indicate that the monitor program has been activated. In case of access problems the drive display shows the letters "CCC". The interrupted command proceeds after re-insertion of the memory card.
4. Press both operating keys again to start the update process. The progress of the update can be monitored in the display:
  - First, the firmware is downloaded from the card to the internal memory.
  - During this phase, the display counts from 0 to 100.
  - Next, the internal firmware memory is deleted. During this phase, 100 is displayed permanently.
  - Once the firmware memory has been deleted, the firmware is written. This phase is indicated in the display by the display counting backwards from 100 to 0.
5. Once programming has been completed, the firmware is started automatically.

The parameter file can also be loaded automatically on a restart. If a parameter file with the name "default.par" has already been saved on the memory card, it will be loaded by the firmware at this point. This allows fully automatic updating of the firmware/parameters.



## 9 Setup

The procedure for setup is described as an example. Depending on the application, a different procedure may be appropriate or necessary. In multi-axis systems, set up each servo amplifier individually.

### 9.1 Safety Instructions

**⚠ DANGER** The equipment produces potentially lethal voltages up to 900 V. Check that all connection components that are live in operation are safely protected against bodily contact.

**⚠ WARNING** Never undo the electrical connections to the servo amplifier while it is live. Capacitors can still have dangerous residual charges up to 8 minutes (5 min with 1.5 to 12A types, 8 min with 24A type) after switching off the supply voltage.

**⚠ CAUTION** The heat sink and front panel of the amplifier can reach temperatures up to 80°C in operation. Check the heat sink temperature. Wait until the heat sink has cooled down to 40°C before touching it.

**⚠ CAUTION** Before setting up, the manufacturer of the machine must generate a hazard analysis for the machine, and take appropriate measures to ensure that unforeseen movements cannot cause injury or damage to any person or property.

**⚠ CAUTION** Only professional personnel with extensive knowledge in the fields of electrical engineering and drive technology are allowed to setup the servo amplifier.

**NOTICE** If the servo amplifier has been stored for more than 1 year, it will be necessary to re-form the capacitors in the DC bus link circuit. To do this, disconnect all electrical connections and apply single-phase 208...240 V AC to terminals L1 / L2 of the servo amplifier for about 30 minutes. This will re-form the capacitors.

**NOTE** Additional information on setting up the equipment:  
The adaptation of parameters and the effects on the control loop behavior are described in the [online help](#) of the setup software.  
The setting up of any expansion card that may be fitted is described in the corresponding manual on the CD-ROM.  
We can provide further know-how through training courses (on request).

## 9.2 Setup software

### 9.2.1 General

This chapter describes the installation of the setup software DRIVEGUI.EXE for the S700 digital servo amplifiers.

We offer training and familiarization courses on request.

#### 9.2.1.1 Use as directed

The setup software is intended to be used for altering and saving the operating parameters for the S700 series of servo amplifiers. The attached servo amplifier can be set up with the help of this software, and during this procedure the drive can be controlled directly by the service functions.

**⚠ WARNING** Only professional personnel who have the relevant expertise described on page 7 are permitted to carry out online parameter setting for a drive that is running. Sets of data that have been stored on data media are not safe against unintended alteration by other persons. Unexpected move could be the result if you use unchecked data. After loading a set of data you must therefore always check all parameters before enabling the servo amplifier.

#### 9.2.1.2 Software description

The servo amplifiers must be adapted to the requirements of your machine. Usually you will not have to carry out this parameter setting yourself on the amplifier, but on a PC, with the assistance of the setup software. The PC is connected to the servo amplifier by a null-modem cable (serial, see p.85). The setup software provides the communication between the PC and S700.

You can find the setup software on the accompanying CD-ROM and in the download area of our website.

With very little effort you can alter parameters and instantly observe the effect on the drive, since there is a continuous (online) connection to the amplifier. At the same time, important actual values are read out from the amplifier and displayed on the monitor of the PC (oscilloscope functions).

Any interface modules (expansion cards) which may be built into the amplifier are automatically recognized, and the additional parameters which are required for position control or motion-block definition are made available.

You can save sets of data on data media or on the memory card (archiving) and load them again. You can also print out the data sets.

We supply you with motor-specific default sets of data for the most common combinations of servo amplifier and motor. In most applications you will be able to use these default values to get your drive running without any problems.

An extensive [online help](#) with integrated description of all variables and functions supports you in each situation.

### 9.2.1.3 Hardware requirements

The PC interface (X6, RS232) of the servo amplifier is connected to the serial interface of the PC by a null-modem cable (**not a null-modem link cable!**) (⇒ p.85).

#### NOTICE

**Connect / disconnect the interface cable only when the electrical supply is switched off for both the PC and the servo amplifier.**

The interface in the servo amplifier has the same potential level as the CANopen interface.

#### Minimum requirements for the PC:

Processor	:	at least Pentium® II or comparable
Operating system	:	WINDOWS 2000 / XP / VISTA / 7
Graphics adapter	:	Windows compatible, color
Drives	:	hard disk with at least 10 MB free space CD-ROM drive
Interface	:	one free serial interface (COM1 ... COM10) or USB with an USB->Serial converter

### 9.2.1.4 Operating systems

#### WINDOWS 2000 / XP / VISTA / 7

DRIVEGUI.EXE will run under WINDOWS 2000, XP, VISTA and 7.

Emergency operation is feasible through an ASCII terminal emulation (without graphical user interface).

Interface settings : 38400 bps, databit 8, no parity, stopbit 1, no flow control

#### Unix, Linux

The functioning of the software has **not** been tested for WINDOWS running within Unix or Linux.

### 9.2.2 Installation under WINDOWS

The CD-ROM includes an installation program for the setup software.

#### Installation

Autostart function activated:

Insert the CD-ROM into a free drive. A window with the start screen opens. There you find a link to the setup software DRIVEGUI.EXE. Click it and follow the instructions.

Autostart function deactivated:

Insert the CD-ROM into a free drive. Click on **START** (task bar), then on **Run**. Enter the program call: **x:index.htm** (x = correct CD drive letter).

Click **OK** and proceed as described above.

#### Connection to the serial interface of the PC:

Connect the interface cable to a serial interface on your PC (COM1 to COM10) and to the serial interface of the servo amplifier S700 (⇒ p.85).

## 9.3 Quickstart

### 9.3.1 Preparation

#### Unpacking, Mounting and Wiring the Servo Amplifier

1. Unpack servo amplifier and accessories
2. **Observe safety instructions in the manuals**
3. Mount the servo amplifier as described in chapter 7
4. Wire the servo amplifier as described in chapter 8 or apply the minimum wiring for drive testing as described in chapter 9.3.1
5. Install the software as described in chapter 9.2
6. You need this information concerning the drive components:
  - rated mains supply voltage
  - motor type (motor data, if the motor type is not listed in the motor database: see [online help](#))
  - feedback unit built into the motor (type, poles/lines/protocol etc.)
  - moment of inertia of the load

#### Documents

You need access to these documents (located on the product CD-ROM, you can download the latest editions from our website):

- Instruction manual (this manual)
- CANopen communication profile manual
- Accessories manual

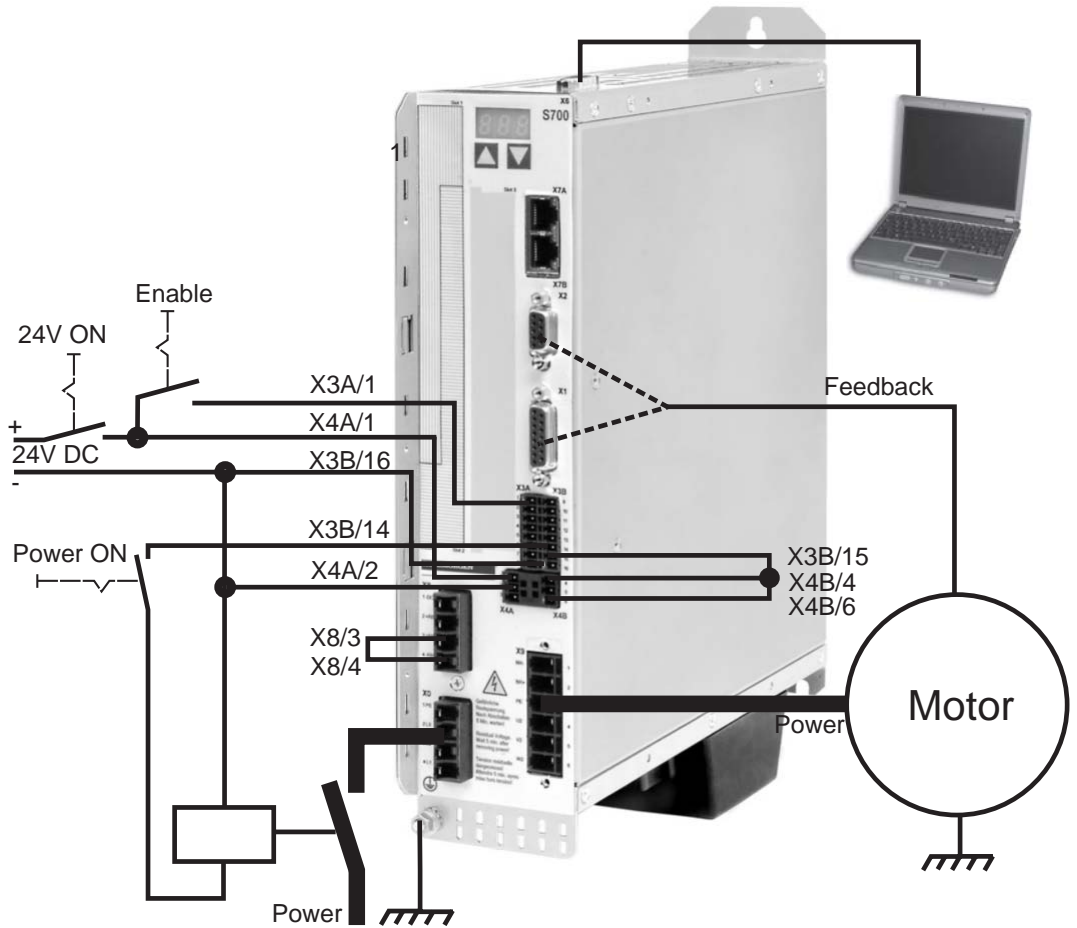
Depending on the installed expansion card you need one of these documents:

- PROFIBUS DP communication profile manual
- DeviceNet communication profile manual
- SERCOS communication profile manual
- EtherCAT communication profile manual

You need Acrobat Reader to read the PDFs, an installation link is on every screen of the product CD-ROM.



Minimum Wiring for Drive Test

**CAUTION** This wiring does not fulfill any requirements to safety or functionality of your application, it just shows the required wiring for drive testing without load.





## 9.3.2

## Connect

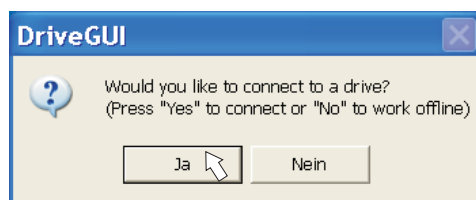
- Connect the interface cable to a serial interface on your PC and to the serial interface X6 of the servo amplifier. USB to serial converter can be used optionally.
- Switch on the 24 V power supply for the servo amplifier.
- Wait about 30 seconds, until the front display of the servo amplifier displays the current class (e.g.  for 3 A). If the power supply voltage is switched on, too, a leading P is displayed (e.g.  for Power, 3 A).

**NOTE**

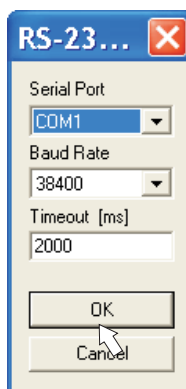
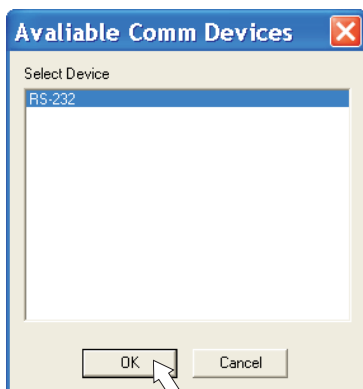
If a fault code () or a warning () or a status message (.I\_ / E/S) appears in the display, you will find the description on page 104 / 105. If there is fault, fix the problem.



Double-Click the DRIVEGUI.EXE icon on your Windows desktop to start the software.



You can work offline or online with DRIVEGUI.EXE. Work ONLINE now.



If the communication is started for the first time, you have to setup the communication parameters. Choose the communication system and the interface, where the servo amplifier is connected to. Click OK.

The software tries to communicate with these parameters. If it's not successful, you receive this error message:

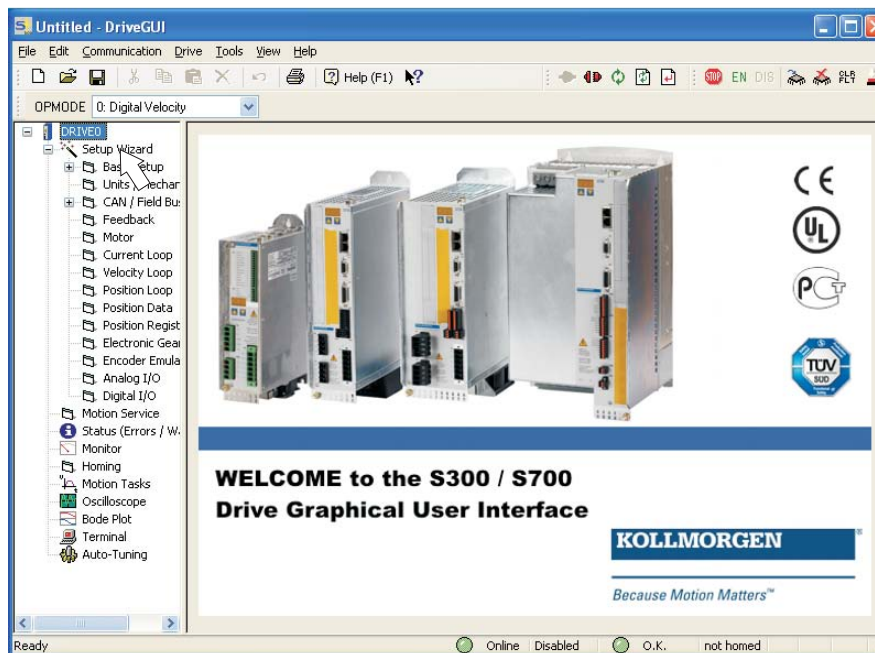


Frequent causes:

- wrong interface chosen
- wrong connector chosen at the servo amplifier
- interface is used by another software
- 24 V auxiliary voltage for the servo amplifier not working
- interface cable broken or wrong wiring

Quit the error message. The software starts in the offline mode now, that requires the manual selection of the amplifier's type. Quit this selection by closing the window. Fix the communication problem. Restart the software in Online mode.

If communication works, you see the start screen. Select "Setup Wizard" in the navigation frame.



**NOTICE** Make sure, that the amplifier is disabled (Input Enable connector X3A pin 1 must be 0 V or open)!

### 9.3.3 Important Screen Elements

#### Help Function

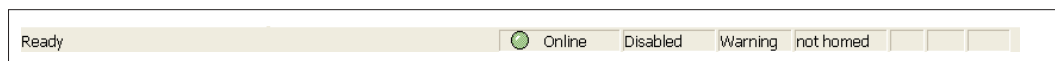
The Online-Help gives detailed information to all parameters the servo amplifier can work with.

<b>Key F1</b>	Starts <a href="#">online help</a> for the actual screen page.
<b>Menu bar Help</b>	Starts <a href="#">online help</a> with the first page.
	Context Help. Click the help symbol first. Then click the function for which you need help.

#### Tool Bar

	Save to EEPROM, required if you changed parameters.
	Reset, required if you changed configuration parameters.
OPMODE 0: Digital Velocity	Operation Mode, use "0: Digital Velocity" mode for drive testing.

#### Status Bar



The status bar shows a green Online symbol, indicating that the communication works.

### 9.3.4 Setup Wizard

The Setup Wizard leads you through the necessary steps for configuring your servo amplifier. Depending on the selected application, only the active screen pages are necessary.

**Welcome to the Drive Setup Wizard**

This Setup Wizard will help you configure your drive. Start by choosing the type of set up from the list below: "Quick Motor/Drive Setup", "Analog Application Setup", "Gearing Application Setup", "Motion Task Application Setup" or "Complete Setup".

Click "Next" and "Previous" to move between screens, or move directly to any screen by clicking in the tree on the left. Click the "Refresh" toolbar button to bring back the original data for the screen currently showing.

When a new wizard page is opened, the current parameter values related to that page are reloaded from the drive.

Select Type of Setup Wizard

Standard Servo Setups

- Quick Motor/Drive Setup
- Analog Application Setup
- Gearing Application Setup
- Motion Task Application Setup
- Complete Setup

Sensorless Setups

- Induction Motor Setup (U/f Control)

Enter Setup Wizard

For a quick setup / drive test, select the setup type "Quick Motor/Drive Setup".

**Start the Wizard.**

#### 9.3.4.1 Basic Setup

Power Supply

Regen Resistor

- Internal Value  Ohms
- External

max. Regen Power  W

Mains Voltage  V

Response to Loss of Input Phase

Amplifier Hardware

Hardware

Firmware

Serial Number	Run Time	Name
<input type="text" value="0"/>	<input type="text" value="xxxx:xx"/> h	<input type="text" value="DRIVE0"/>

Set Software-Enable on Bootup

Advanced Setup...

Next

Basic parameters are set here.

**Response to Loss of Input Phase:** Select Single-Phase or Three-Phase operation. With three-phase operation you can select either warning "n05" or error "F19" in case of phase loss. The reaction "F19" disables the output stage, "n05" is just a message.

**Name:** You can enter a name for the servo amplifier (up to 8 characters). This simplifies the drive identification in the system.

**Set Software Enable on Bootup:** Don't select this option for the quick test.

**Click NEXT.**



### 9.3.4.2 Units/Mechanical

The user units for all input fields in the setup software can be pre-selected here.

#### Position, Velocity, Acceleration

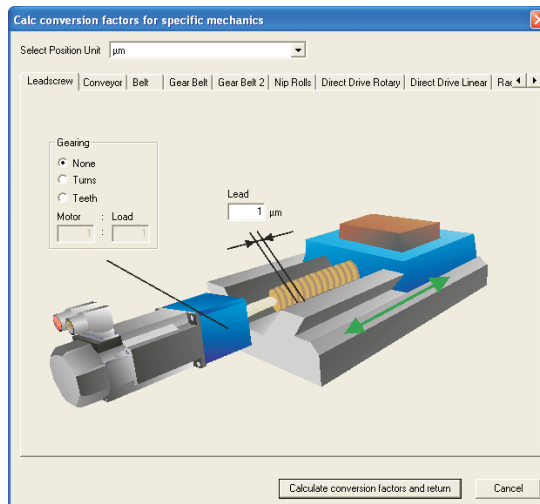
Select usable units for your application referring to the moved load.

#### Mechanical Conversion

The relationship between motor shaft revolution (pole pair pitch with linear motors) and motion distance of the load is specified here. Gear ratio can be calculated here as well. Detailed information can be found in the [online help](#).

Use the tool based on sample applications for calculating the resolution value:

#### "Calculate PGEARI/PGEARO for..." button



If your application does not correspond to any of the listed examples, enter the required parameters directly in the fields on the "Units" screen.

First, select the application that corresponds to your own. Next, set the position unit. Select the position unit that provides you with the required accuracy for your application. Set the mechanical data for you application now. If a gearhead is flange-mounted on the motor, you must also enter the gearhead data (either the number of teeth or the ratio of the revolutions).

Then click the "Calculate conversion factors and return" button.

**Click NEXT.**

### 9.3.4.3 Motor (rotary) / Feedback

Simplified setting of the motor related parameters.

#### NOTE

**Feedback:** Select the feedback system used in the motor.

**Resolver is fixed to 2 pole in the Quick Motor/Drive Setup.**

Change "pole n°" on feedback screen in Complete Setup later, if required.

**Motor type:** Click the button "**Select from Database...**".

Open the database file (mdb\_ \_ .csv) and select the used motor out of the list. Special motors must be defined in the "Complete Setup".

**Brake:** If the amplifier shall control a brake, change the Brake parameter to "With"

**Calculated quick tuning:** If you know the Load-to-motor inertia ratio (0 is for no load), enter the number here and select the desired servo performance. If you don't know the inertia ratio, select "Do not tune". **Click FINISH.**

### 9.3.4.4 Motor (linear) / Feedback (Encoder)

Simplified setting of the motor related parameters.

**Feedback:** Select the feedback system used.

**Motor type:** Click the button "**Select from Database..**".

Open the database file (mdb\_ \_ .csv) and select the used motor. Special motors must be defined in the "Complete Setup".

**Encoder Lines** (appears with Feedback Type Sine Encoder):

Click "Calculate" and fill in the Encoder signal period.

**Brake:** If the amplifier shall control a brake, change the Brake parameter to "With"

**Calculated quick tuning:** If you know the Load-to-motor inertia ratio, enter the number here and select the desired servo performance. Otherwise select "Do not tune".

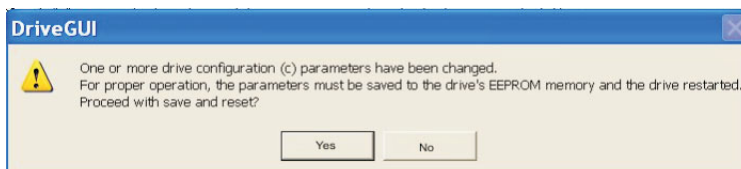
**Click FINISH.**

### 9.3.4.5 Save Parameters and Restart

You are going to finish the Setup Wizard and you have changed several basic parameters. Depending on the parameters you changed, two possible reactions will occur now:

#### Configuration parameters changed


A warning appears, that you have to restart the amplifier, this is called "coldstart".



Click "YES".

The parameters are saved to the amplifier's EEPROM automatically and a reset command restarts the amplifier (takes some seconds).

#### Other parameters changed



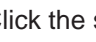

No warning appears. Save the parameters to the EEPROM of the servo amplifier manually by clicking the symbol  in the tool bar. A coldstart of the amplifier is not necessary.

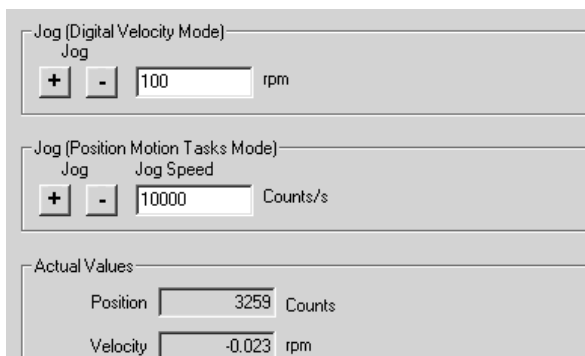
Select the screen "Motion Service" in the navigation frame.

### 9.3.5 Motion Service (Jog Mode)

#### NOTICE

**Be aware that the actual position of the load permits the subsequent moving operations. The axis could move to the hardware limit-switch or the mechanical stop. Make sure that a jerk or a fast acceleration of the load cannot cause any damage.**

- Switch on the power supply for the drive.
- **STO-Enable:** Apply +24 V to STO-Enable [X4B/6]
- **Hardware-Enable:** Apply +24 V to the input Enable [X3A/1]. If STO-Enable is missed or the sequence was wrong, the front display shows .
- **Software-Enable:** Click the symbol  in the tool bar. Now the front display shows an E and the current class (e.g.  for Enable, 3 A). Click the symbol  to switch off the output stage (disable).



#### Jog

##### (Digital Velocity Mode):

You can move the drive with constant speed. Enter the desired speed.

**CAUTION: Observe the "safe reduced speed" requirements for your application!**

The drive moves with the preset speed when the + or – button is pressed. It stops when the button is released.

Actual errors and warnings are listed on the screen "Status". A description of errors/warnings can be found in the [online help](#) or on p.104ff.

Now you have setup and tested the basic functions of the drive successfully.

### 9.3.6 More Setup Screens

**⚠ CAUTION** Observe the safety instructions in the manuals and in the [online help](#) before you change parameters in the additional setup screens.

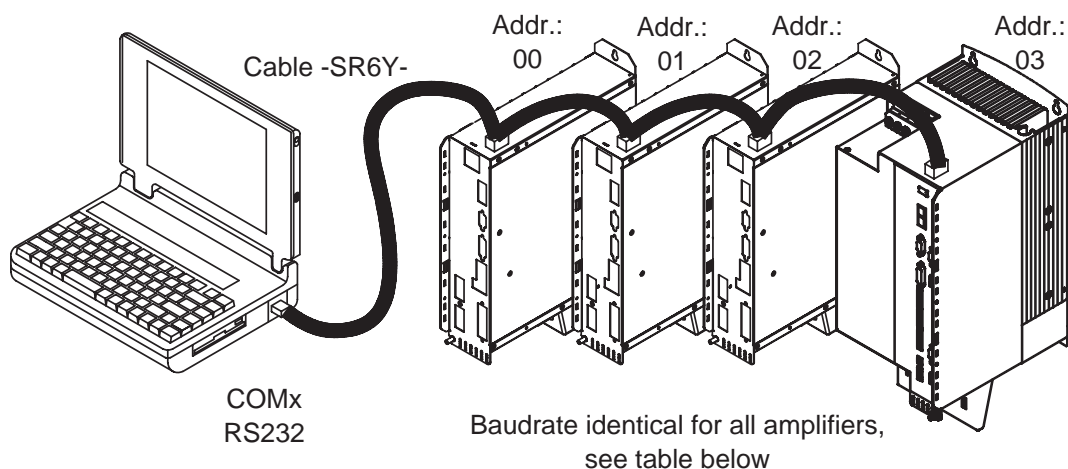
For all setup functions detailed information can be found in the [online help](#) system and the integrated command reference.

Select "Complete Setup" in the Setup-Wizard. Now you have access to:

- **CAN-/Fieldbus-settings:** setup address and baudrate
- **Feedback:** Adjust the used feedback unit
- **Motor:** Adjust the used motor
- **Control Loops:** Current-, Velocity- and Position-Loops can be optimized
- **Position Data:** Adjust the position control for the requirements of your application.
- **Position Registers:** up to 16 position values in the motion way can be monitored.
- **Electronic Gearing:** If the servo amplifier will follow a setpoint as a slave with a gear ratio, you can select the gearing source here and define the gear ratio.
- **Encoder Emulation:** select the encoder emulation (position output)
- **Analog I/O:** setup the analog inputs
- **Digital I/O:** setup the digital inputs and outputs
- **Status (Errors/Warnings):** displays amplifiers data with history, actual faults/warnings
- **Monitor:** displays the drive data (actual values)
- **Homing:** definition and start of homing
- **Motion task:** definition and start of motion task
- **Oscilloscope:** 4 channel oscilloscope with multiple functionality
- **Bode Plot:** tool for optimizing the drive
- **Terminal:** setup the servo amplifier with ASCII commands
- **Expansion Card:** depending on the built-in expansion card a menu appears
- **Autotuning:** fast tuning of the velocity controller

## 9.4 Multi axis system

With a special cable you can connect up to 255 servo amplifiers to your PC: cable type -SR6Y- (for four amplifiers) or -SR6Y6- (for six amplifiers) see Accessories Manual.



With the PC connected to only one amplifiers you can select every amplifier in the system via the set station address with the setup software.

### Station address for CAN-bus setup

You can use the keypad on the front panel to preset the station addresses for the individual amplifiers and the baud rate for communication (⇒ p.103). Usually the setup software is used to set all parameters.

### Baud rate for CAN-bus setup

#### **NOTE**

After changing the station address and baud rate you must turn the 24V auxiliary supply for the servo amplifier off and on again.

### Coding of the Baud rate in the LED display :

Coding	Baud rate in kbit/s	Coding	Baud rate in kbit/s
1	10	25	250
2	20	33	333
5	50	50	500
10	100	66	666
12	125	80	800
		100	1000

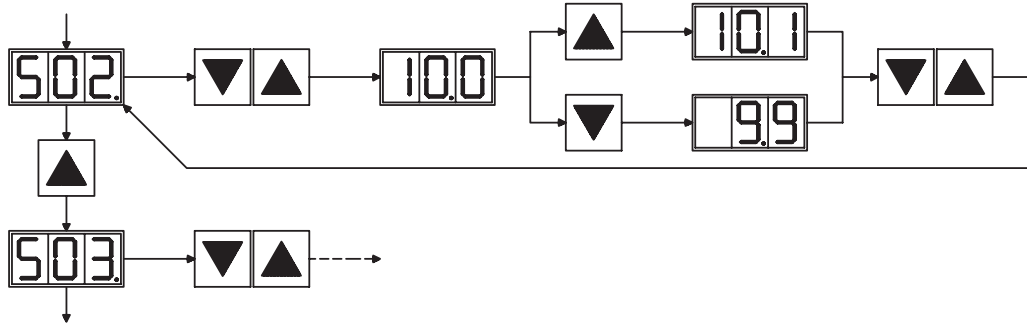
## 9.5 Keypad operation / LED display

This section illustrates the two possible operating menus and the use of the keys on the front panel. Normally, the S700 only presents the standard menu for your use. If you want to operate the amplifier via the detailed menu, you must keep the right key pressed while switching on the 24V supply.

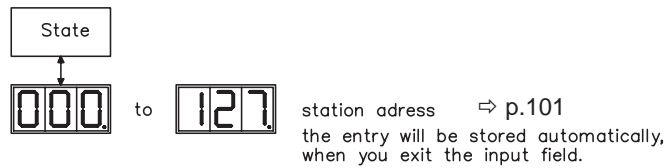
### 9.5.1 Keypad operation

The two keys can be used to perform the following functions:

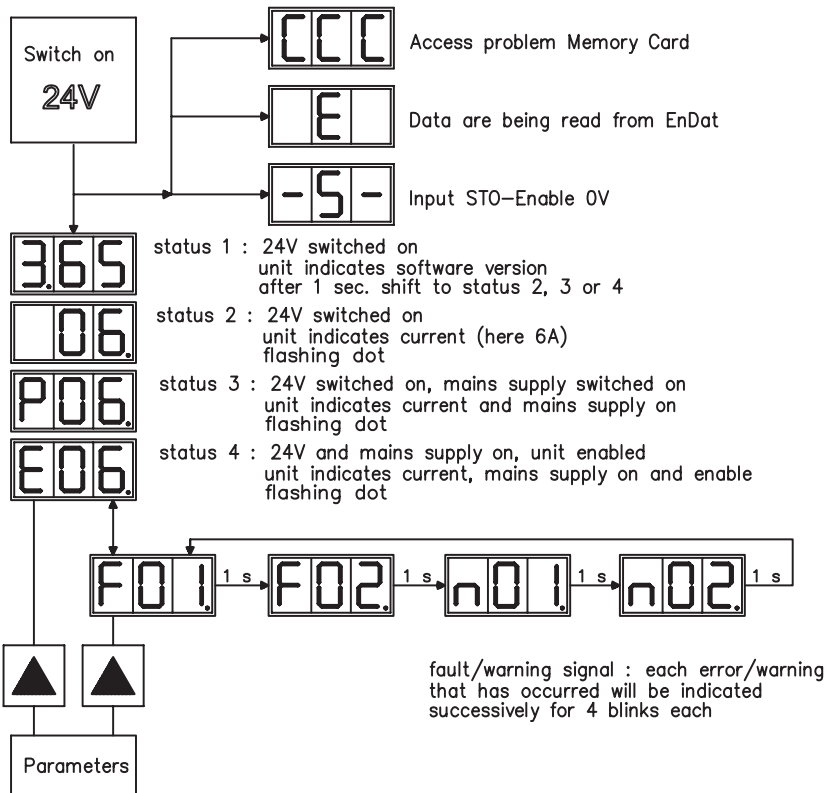
Key symbol	Functions
	<b>press once</b> : move up one menu item, increase number by one <b>press twice in rapid succession</b> : increase number by ten
	<b>press once</b> : decrease number by one <b>press twice in rapid succession</b> : decrease number by ten
	<b>hold right key pressed, and then press left key as well</b> : to enter a number, "Return" function



### 9.5.2 Status display



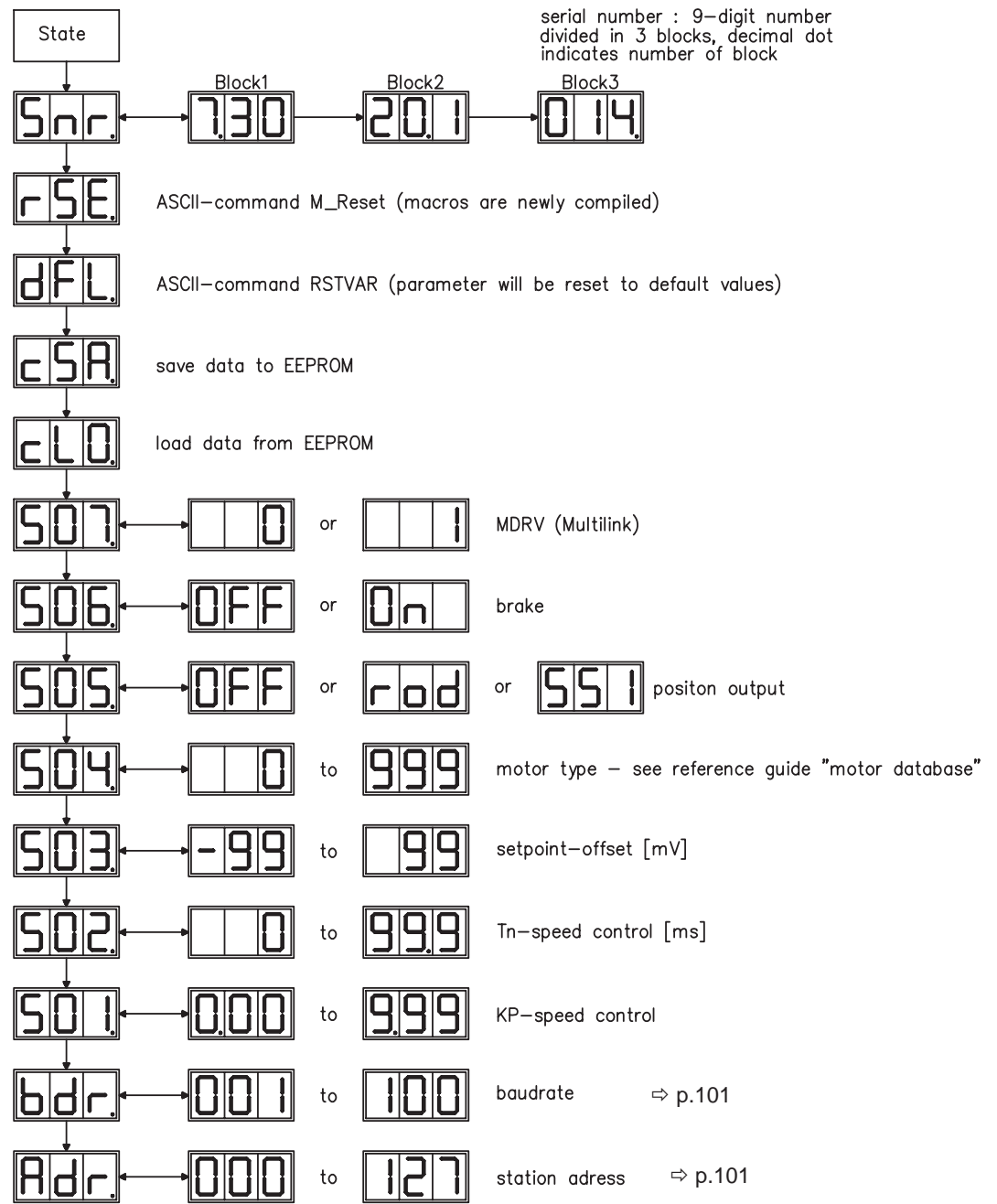
### 9.5.3 Standard menu



9.5.4 Advanced menu

**NOTE**

To operate the amplifier via the detailed menu, you must keep the right key pressed while switching on the 24 V supply.



## 9.6 Error messages

Any errors that occur are shown in coded form by an error number in the LED display on the front panel. All error messages result in the BTB/RTO contact being opened, the output stage being switched off (motor loses all torque), and the holding brake is activated.

Number	Explanation	
E / P	Status Messages	Status messages, no error, see p. 102
. . .	Status Message	Amplifier is updating the startup configuration
-	Status Message	Status message, no error, programming mode
- S -	STO-Enable	STO input is 0V (with disabled drive only)
CCC	Memory Card	Access problems memory card
F01	Heat Sink Temperature	Heat sink temperature too high (default: 80°C)
F02	Overvoltage	Overvoltage in DC bus link. Limit depends on the electrical supply voltage
F03	Following Error	Message from the position controller
F04*	Feedback	Cable break, short-circuit, short to ground
F05	Undervoltage	Undervoltage in DC bus link (default: 100 V)
F06	Motor Temperature	Motor temperature too high or temp. sensor defect
F07*	Internal Voltages	Internal supply voltages not ok
F08*	Overspeed	Motor runs away, speed is too high
F09*	EEPROM	Checksum error
F10	Reserved	Reserved
F11*	Brake	Cable break, short-circuit, short to ground
F12	Motor Phase	Motor phase missing (cable break or similar), in process
F13	Ambient Temperature	Ambient temperature too high
F14*	Output Stage	Fault in the power output stage, also with wrong motor cable or insufficient cable shielding
F15	I <sup>2</sup> t max.	I <sup>2</sup> t maximum value exceeded
F16	Mains BTB/RTO	2 or 3 phases missing in the mains supply feed
F17*	A/D Converter	Error in the analog-digital conversion, normally caused by extreme electromagnetic interference
F18*	Brake Circuit	Brake circuit faulty or incorrect setting
F19	DC Bus Link	DC bus link breakdown
F20*	Slot Error	Slot error, depends on the type of expansion card (see ASCII object reference)
F21*	Handling Error	Handling error on the expansion card
F22	Reserved	Reserved
F23*	CAN-Bus Off	Severe CAN bus communication error
F24	Warning	Warning is displayed as fault
F25*	Commutation Error	Commutation error
F26	Limit Switch	Hardware limit switch error on homing move
F27*	STO	Operational error with STO, input for STO-Enable and ENABLE have been set at the same time
F28	Fieldbus Error	Fieldbus error (see ASCII command reference)
F29	Fieldbus Error	Fieldbus error (see ASCII command reference)
F30	Emergency Timeout	Timeout emergency stop
F31	reserved	reserved
F32*	System Error	System software not responding correctly

\* = from Firmware Version 3.65 (with DRVCNFG3=16): fault reset by hardware reset of the servo amplifier. All other faults can be reset by ASCII command CLRFAULT.

### NOTE

More information to the messages can be found in the ASCII Object Reference ([online help](#)), see parameter ERRCODE. Hints for removal can be found in the [online help](#) chapter "Trouble-Shooting".



## 9.7 Warning messages

Faults which occur, but which do not cause a switch-off of the amplifier output stage (BTB/RTO contact remains closed), are indicated in the LED display on the front panel by a coded warning number.

Number	Designation	Explanation
E / P	Status Messages	Status messages, no error, see p. 102
. . .	Status Message	Amplifier is updating the startup configuration
- S -	STO-Enable	STO-Enable input is 0V (with disabled drive only)
-	Status Message	Status message, no error, programming mode
n01	I <sup>2</sup> t	I <sup>2</sup> t threshold exceeded
n02	Brake power	Reached preset brake power limit
n03*	S_fault	Exceeded preset following error limit
n04*	Response monitoring	Response monitoring (fieldbus) has been activated
n05	Supply phase	Mains supply phase missing
n06*	SW limit switch 1	Software limit switch 1 underrun
n07*	SW limit switch 2	Software limit switch 2 overrun
n08	Motion task error	A faulty motion task was started
n09	No reference point	No reference point (Home) set at start of motion task
n10*	PSTOP	PSTOP limit-switch activated
n11*	NSTOP	NSTOP limit-switch activated
n12	Motor default values loaded	Only for ENDAT or HIPERFACE® : discrepancy between motor number saved in the encoder and the amplifier, motor default values loaded
n13*	Expansion card	24V DC supply for I/O expansion card not ok
n14	SinCos feedback	SinCos commutation (wake & shake) not completed, will be canceled when amplifier is enabled and wake & shake carried out
n15	Reserve	Reserve
n16	Summarized warning	Summarized warning for n17 to n31
n17	Fieldbus-sync	CAN sync is not logged in
n18	Multiturn overflow	Max. number of motor turns exceeded
n19	Motion task ramps are limited	Range overflow on motion task data
n20	Invalid motion task	Invalid motion task
n21	PLC program error	For details see PLC code
n22	Max.motor temperature reached	The user can shut down the process before the temperature error will interrupt the process immediately
n23	Sin Cos feedback	Warning level reached
n24	Digital I/O	Configuration is not logical
n25-n31	Reserve	Reserve
n32	Firmware beta version	Firmware is an unreleased beta version

\* = these warning messages result in a controlled shut-down of the drive (braking by emergency stop ramp)

### NOTE

More information to the messages can be found in the ASCII Object Reference ([online help](#)), see parameter STATCODE. Hints for removal can be found in the [online help](#) chapter "Trouble-Shooting".

## 9.8 Trouble Shooting

There may be a wide variety of reasons for the fault, depending on the conditions in your installation. In multi-axis systems there may be further hidden causes of a fault.

**NOTE**

Detailed hints for removal of faults can be found in the [online help](#) chapter "Trouble-Shooting".

Our customer service can give you further assistance with problems.

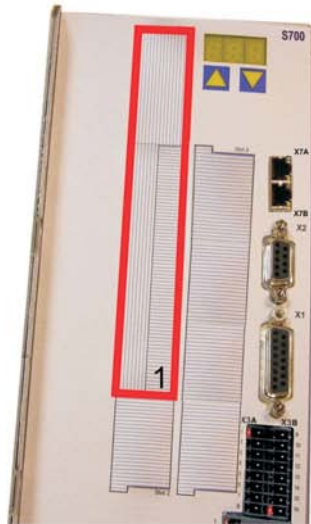
Fault	Possible causes	Measures
<b>HMI message: Communication fault</b>	<ul style="list-style-type: none"> <li>— wrong cable used</li> <li>— cable plugged into wrong position on servo amplifier or PC</li> <li>— wrong PC interface selected</li> </ul>	<ul style="list-style-type: none"> <li>— use null-modem cable</li> <li>— plug cable into the correct sockets on the servo amplifier and PC</li> <li>— select correct interface</li> </ul>
<b>Motor does not rotate</b>	<ul style="list-style-type: none"> <li>— servo amplifier not enabled</li> <li>— software enable not set</li> <li>— break in setpoint cable</li> <li>— motor phases swapped</li> <li>— brake not released</li> <li>— drive is mechanically blocked</li> <li>— motor pole no. set incorrectly</li> <li>— feedback set up incorrectly</li> </ul>	<ul style="list-style-type: none"> <li>— apply ENABLE signal</li> <li>— set software enable</li> <li>— check setpoint cable</li> <li>— correct motor phase sequence</li> <li>— check brake control</li> <li>— check mechanism</li> <li>— set motor pole no.</li> <li>— set up feedback correctly</li> </ul>
<b>Motor oscillates</b>	<ul style="list-style-type: none"> <li>— gain is too high (speed controller)</li> <li>— feedback cable shielding broken</li> <li>— AGND not wired up</li> </ul>	<ul style="list-style-type: none"> <li>— reduce Kp (speed controller)</li> <li>— replace feedback cable</li> <li>— join AGND to CNC-GND</li> </ul>
<b>Drive reports following error</b>	<ul style="list-style-type: none"> <li>— <math>I_{rms}</math> or <math>I_{peak}</math> set too low</li> <li>— accel/decel ramp is too long</li> </ul>	<ul style="list-style-type: none"> <li>— increase <math>I_{rms}</math> or <math>I_{peak}</math> (keep within motor ratings!)</li> <li>— shorten ramp +/-</li> </ul>
<b>Motor overheating</b>	<ul style="list-style-type: none"> <li>— <math>I_{rms}/I_{peak}</math> is set too high</li> </ul>	<ul style="list-style-type: none"> <li>— reduce <math>I_{rms}/I_{peak}</math></li> </ul>
<b>Drive too soft</b>	<ul style="list-style-type: none"> <li>— Kp (speed controller) too low</li> <li>— Tn (speed controller) too high</li> <li>— ARLPF / ARHPF too high</li> <li>— ARLP2 too high</li> </ul>	<ul style="list-style-type: none"> <li>— increase Kp (speed controller)</li> <li>— use motor default value for Tn (speed controller)</li> <li>— reduce ARLPF / ARHPF</li> <li>— reduce ARLP2</li> </ul>
<b>Drive runs roughly</b>	<ul style="list-style-type: none"> <li>— Kp (speed controller) too high</li> <li>— Tn (speed controller) too low</li> <li>— ARLPF / ARHPF too low</li> <li>— ARLP2 too low</li> </ul>	<ul style="list-style-type: none"> <li>— reduce Kp (speed controller)</li> <li>— use motor default value for Tn (speed controller)</li> <li>— increase ARLPF / ARHPF</li> <li>— increase ARLP2</li> </ul>
<b>Axis drifts at setpoint = 0V</b>	<ul style="list-style-type: none"> <li>— offset not correctly adjusted for analog setpoint provision</li> <li>— AGND not joined to the controller-GND of the controls</li> </ul>	<ul style="list-style-type: none"> <li>— adjust offset (analog I/O)</li> <li>— join AGND and controller-GND</li> </ul>

# 10 Expansions

You can find information about availability and order numbers on page 133.

## 10.1 Expansion cards for slot 1

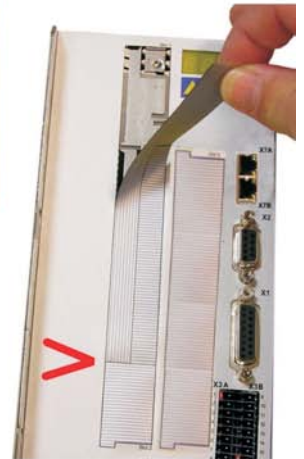
### 10.1.1 Guide to installation of expansion cards in slot 1



1 - Boundary of SLOT1



2 - Detach the film (at the perforations)



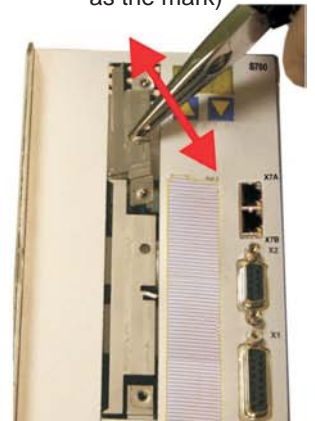
3 - Tear off the film (as far as the mark)



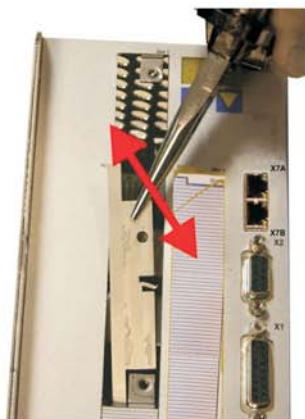
4 - Break the top rib



5 - Break the bottom rib



6 - Pull out the top plate



7 - Pull out the bottom plate



8 - Push in the card



9 - Fasten the screws

### 10.1.2 Expansion card -I/O-14/08-

This section describes the additional features that the expansion card -I/O-14/08- provides for the S700. If you ordered the expansion card together with the servo amplifier, then it will be delivered already inserted into the expansion slot of the servo amplifier and screwed in place.

The -I/O-14/08- provides you with 14 additional digital inputs and 8 digital outputs. The functions of the inputs and outputs are adjustable with the setup software.

The I/Os are used to initiate the motion tasks that are stored in the servo amplifier and to evaluate signals from the integrated position control in the higher-level control system. The functions of the inputs and signal outputs correspond to the functions that can be assigned to the digital I/Os on connector X3. All inputs and outputs are electrically isolated from the servo amplifier by optocouplers.

#### 10.1.2.1 Front view



#### 10.1.2.2 Technical data

<b>Control inputs</b>	24V / 7mA , PLC-compatible, IEC 61131
<b>Signal output</b>	24V / max. 500mA , PLC-compatible, IEC 61131
<b>Supply inputs, to IEC 61131</b>	24V (18 ... 36V) / 100mA plus total current of the outputs (depends on the input wiring of the controls) <b>Note: The 24V DC voltage must be supplied by an electrically isolated power supply (e.g. with isolating transformer).</b>
<b>Fusing (external)</b>	4 AT
<b>Connectors</b>	MiniCombicon, 12-pin, coded on PIN1 and 12
<b>Cables</b>	Data – up to 50m long : 22 x 0.5 mm <sup>2</sup> , unshielded, Supply – 2 x 1mm <sup>2</sup> , check voltage drop
<b>Waiting time between 2 motion tasks</b>	depends on the response time of the control system
<b>Addressing time (minimum)</b>	4ms
<b>Starting delay (maximum)</b>	2ms
<b>Response time of digital outputs</b>	max. 10ms

#### 10.1.2.3 LEDs

Two LEDs are mounted next to the terminals on the expansion card. The green LED signals that the 24V auxiliary supply is available for the expansion card. The red LED signals faults in the outputs from the expansion card (overload of switching components, short-circuit).

#### 10.1.2.4 Entering a motion block number (example)

<b>Motion block number</b>	<b>A7</b>	<b>A6</b>	<b>A5</b>	<b>A4</b>	<b>A3</b>	<b>A2</b>	<b>A1</b>	<b>A0</b>
binary 1010 1110	1	0	1	0	1	1	1	0
decimal 174	128	-	32	-	8	4	2	-

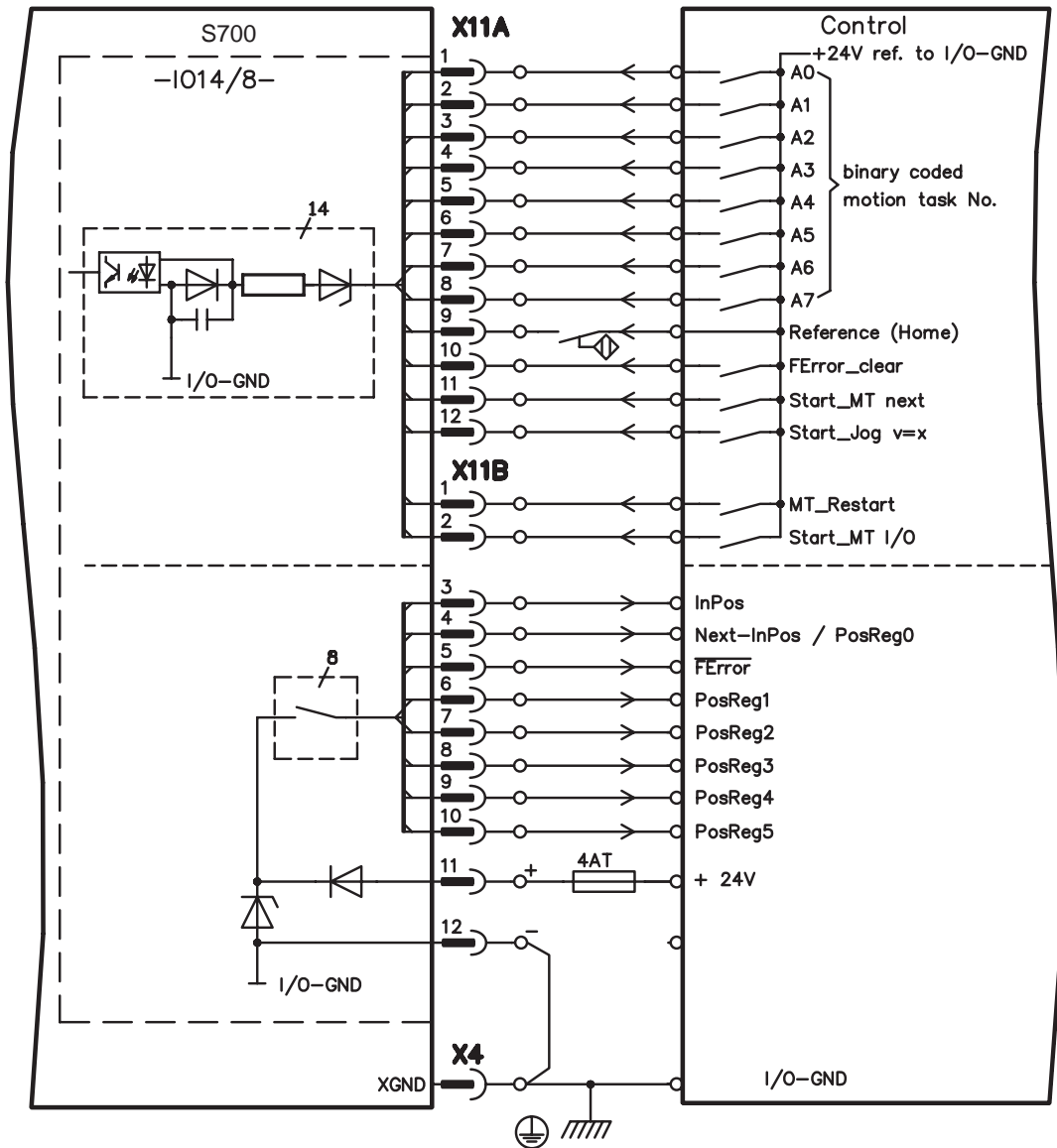
### 10.1.2.5 Connector assignments

The functions are adjustable with the setup software. In the table below the default values are described.

Connector X11A			
Pin	Dir	Default function	Description
1	In	A0	Motion block number, LSB
2	In	A1	Motion block number, 2 <sup>1</sup>
3	In	A2	Motion block number, 2 <sup>2</sup>
4	In	A3	Motion block number, 2 <sup>3</sup>
5	In	A4	Motion block number, 2 <sup>4</sup>
6	In	A5	Motion block number, 2 <sup>5</sup>
7	In	A6	Motion block number, 2 <sup>6</sup>
8	In	A7	Motion block number, MSB
9	In	Reference	Polls the home switch. If a digital input on the base unit is used as a home input, then the input on the expansion card will <b>not</b> be evaluated.
10	In	F_error_clear	Clears the warning of a following error (n03) or the response monitoring (n04)
11	In	Start_MT_Next	The following task, that is defined in the motion task by "Start with I/O" is started. The target position of the present motion task must be reached before the following task can be started. The next motion block can also be started by an appropriately configured digital input on the base unit.
12	In	Start_Jog v= x	Starts the "Jog Mode" with a defined speed. "x" is the speed saved in the servo amplifier for the function "Jog Mode". A rising edge starts the motion, a falling edge cancels the motion.

Connector X11B			
1	In	MT_Restart	Continues the motion task that was previously interrupted.
2	In	Start_MT I/O	Starts the motion task that is addressed by A0-A7 (connector X11A/1...8).
3	Out	InPos	When the target position for a motion task has been reached (the InPosition window), this is signaled by the output of a HIGH signal. <b>A cable break will not be detected.</b>
4	Out	Next-InPos	The start of each motion task in an automatically executed sequence of motion tasks is signaled by an inversion of the output signal. The output produces a LOW signal at the start of the first motion task of the sequence. The form of the message can be varied by using ASCII commands.
		PosReg 0	Can only be adjusted by ASCII commands/setup software.
5	Out	$\overline{F\_error}$	A LOW signal indicates that the position has gone outside the acceptable following error window.
6	Out	PosReg1	default: SW limit 1, indicated by a HIGH signal
7	Out	PosReg2	default: SW limit 2, indicated by a HIGH signal
8	Out	PosReg3	Can only be adjusted by ASCII commands/setup software.
9	Out	PosReg4	Can only be adjusted by ASCII commands/setup software.
10	Out	PosReg5	Can only be adjusted by ASCII commands/setup software.
11	-	24V DC	Supply voltage for output signals.
12	-	I/O-GND	Digital GND for the control system.

10.1.2.6 Connection diagram (default)



**10.1.3 Expansion card -PROFIBUS-**

This section describes the PROFIBUS expansion card for the S700. Information on the range of functions and the software protocol can be found in our manual "Communication Profile PROFIBUS DP". The PROFIBUS expansion card has two 9-pin SubD sockets wired in parallel. The supply voltage for the expansion card is provided by the servo amplifier.

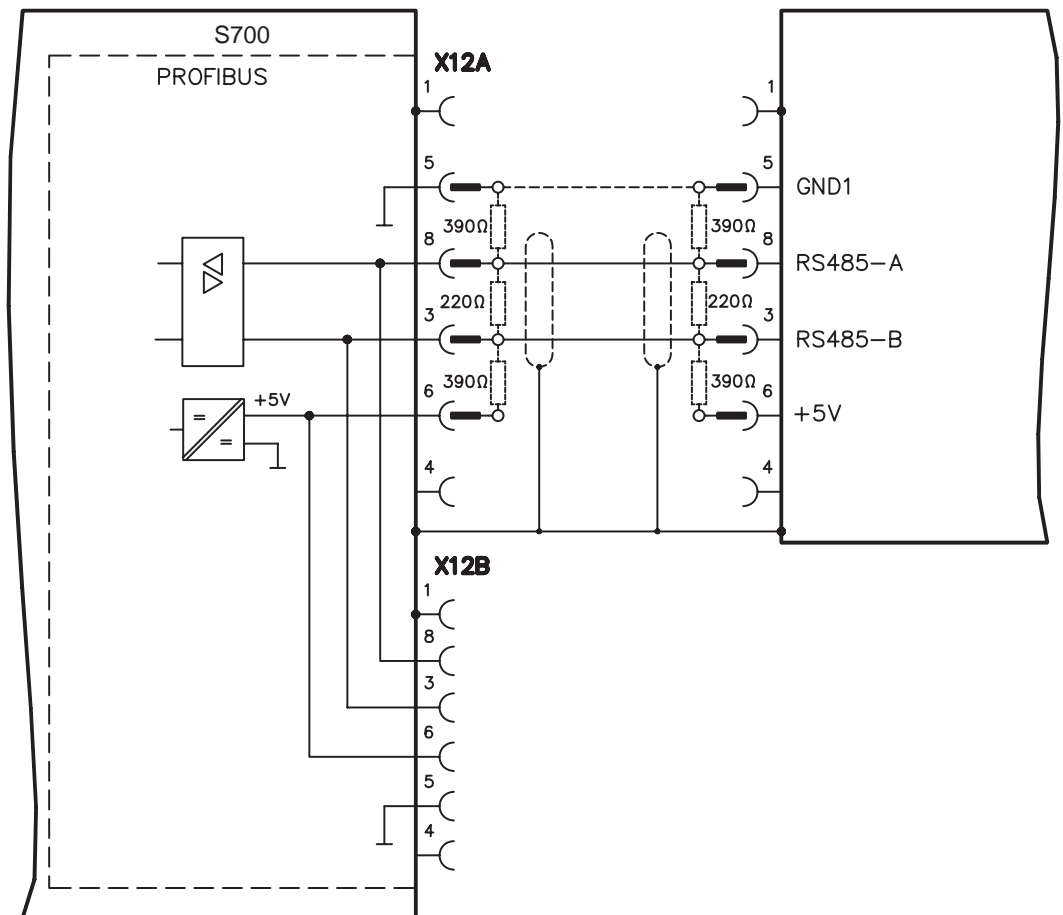
**10.1.3.1 Front view**



**10.1.3.2 Connection technology**

Cable selection, cable routing, shielding, bus connector, bus termination and transmission times are all described in the "Installation Guidelines for PROFIBUS-DP/FMS" from PNO, the PROFIBUS User Organization.

**10.1.3.3 Connection diagram**



### 10.1.4 Expansion card -SERCOS-

This section describes the SERCOS expansion card for S700. Information on the range of functions and the software protocol can be found in our manual "IDN Reference Guide SERCOS".

#### 10.1.4.1 Front view



#### 10.1.4.2 LEDs

<b>RT</b>	Indicates whether SERCOS telegrams are being correctly received. In the final Communication Phase 4 this LED should flicker, since cyclical telegrams are being received.
<b>TT</b>	Indicates that SERCOS telegrams are being transmitted. In the final Communication Phase 4 this LED should flicker, since cyclical telegrams are being transmitted. Check the station addresses for the controls and the servo amplifier if: - the LED never lights up in SERCOS Phase 1 or - the axis cannot be operated, although the RT LED is lighting up cyclically.
<b>ERR</b>	Indicates that SERCOS communication is faulty or suffering from interference.  If this LED is very bright, then communication is suffering strong interference, or is non-existent. Check the SERCOS transmission speed for the controls and the servo amplifier (BAUD RATE) and the fiber-optic connection.  If this LED fades or flickers, this indicates a low level of interference for SERCOS communication, or the optical transmitting power is not correctly matched to the length of cable. Check the transmitting power of the (physically) previous SERCOS station. The transmitting power of the servo amplifier can be adjusted in the setup software DRIVEGUI.EXE on the SERCOS screen page, by altering the length parameter for the cable length.

#### 10.1.4.3 Connection technology

For the fiber optic cable connection, only use SERCOS components to the SERCOS Standard IEC 61491.

##### **Receive data**

The fiber optic cable carrying receive data for the drive in the ring structure is connected to X13 with an F-SMA connector.

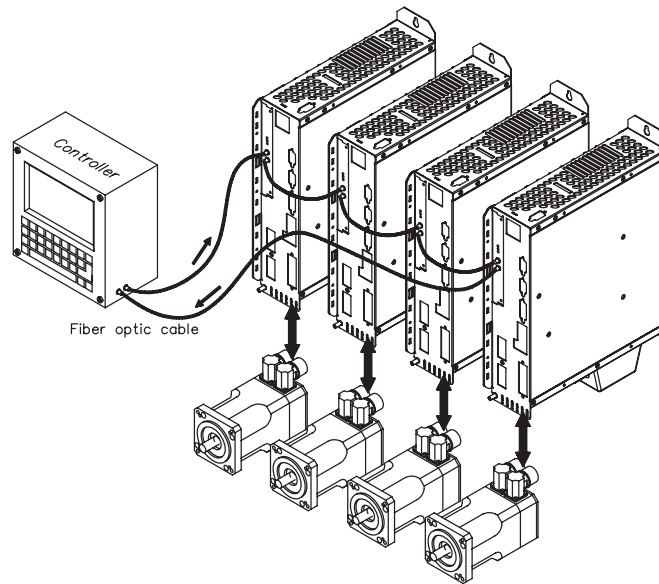
##### **Transmit data**

Connect the fiber optic cable for the data output to X14 by F-SMA connector.



### 10.1.4.4 Connection diagram

Layout of the SERCOS bus system in ring topology, with fiber optical cables (schematic).



### 10.1.4.5 Setup

#### Modifying the station address

The drive address can be set to a value between 0 and 63. With address 0, the drive is assigned as an amplifier in the SERCOS ring. Set the station address with the:

#### Keys on the front of the servo amplifier

The SERCOS address can be modified using the keys on the front of the amplifier (p. 102).

#### Setup software

The address can also be modified in the setup software, "CAN/Fieldbus" screen (please refer to the setup software [online help](#)). Alternatively, enter the command **ADDR #** in the "Terminal" screen, where # is the new address of the drive.

#### Modifying the baud rate and optical power

If the baud rate is not set correctly, communication is not possible.

The **SBAUD #** parameter can be used to set the baud rate, where # is the baud rate. If the optical power is not set correctly, errors occur in telegram transmission and the red LED on the drive lights up. During normal communication, the green send and receive LEDs flash, giving the impression that the relevant LED is on.

The **SLEN #** parameter can be used to specify the optical range for a standard 1 mm<sup>2</sup> glass fibre cable, where # is the length of the cable in meters.

SBAUD		SLEN	
2	2 Mbaud	0	Very short connection
4	4 Mbaud	1...< 15	Length of the connection with a 1 mm <sup>2</sup> plastic cable
8	8 Mbaud	15...< 30	Length of the connection with a 1 mm <sup>2</sup> plastic cable
16	16 Mbaud	≥ 30	Length of the connection with a 1 mm <sup>2</sup> plastic cable

#### Setup software

The parameters can be modified in the setup software, "SERCOS" screen (please refer to the setup software the [online help](#)). Alternatively, the commands **SBAUD #** and **SLEN #** can be entered in the "Terminal" screen.

**10.1.5 Expansion card - DEVICENET -**

This section describes the DeviceNet expansion card for S700. Information on the range of functions and the software protocol can be found in our manual "DeviceNet Communication Profile".

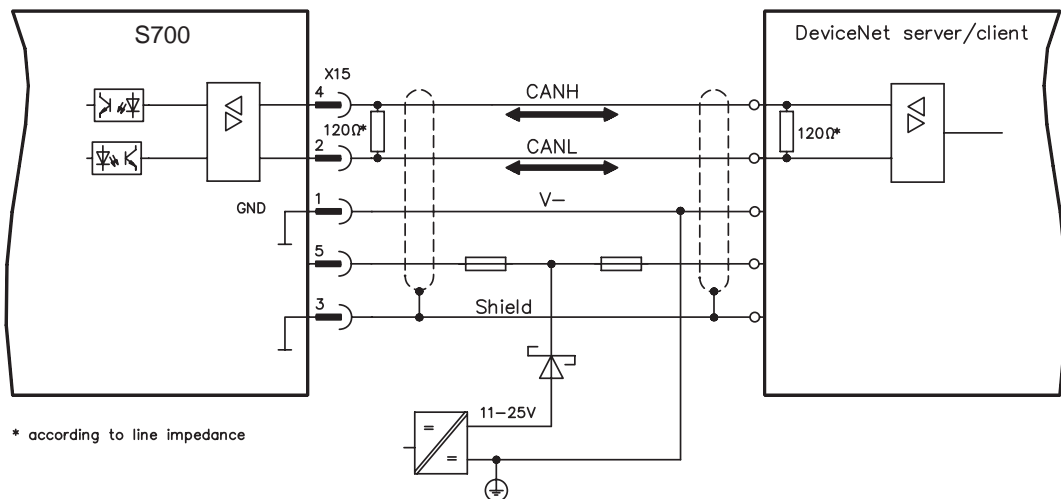
**10.1.5.1 Front view**



**10.1.5.2 Connection technology**

Cable selection, cable routing, shielding, bus connector, bus termination and transmission times are all described in the "DeviceNet Specification, Volume I, II", published by ODVA.

**10.1.5.3 Connection diagram**



### 10.1.5.4 Combined module/network status-LED

LED	Meaning
<b>off</b>	The device is not online. - The device has not yet finished the Dup_MAC_ID test. - The device is possibly not yet switched on.
<b>green</b>	The device is operating as normal, is online, and the connections have been established. The device has been assigned to a master.
<b>blinking green</b>	The device is operating as normal, is online, but the connections have not been established. - The device has passed the Dup_MAC_ID test and is online, but the connection to other nodes have not been established. - This device has not been assigned to a master. - Missing, incomplete or wrong configuration.
<b>blinking red</b>	An error that can be cleared and/or at least one I/O connection are in a waiting state.
<b>red</b>	- An error has occurred that cannot be cleared; it may be necessary to replace the device. - Communication device failure. The device has detected a fault that prevents communication with the network (for instance, a MAC ID appears twice or BUSOFF).

### 10.1.5.5 Setup

#### Setting the station address (device address)

The station address for the servo amplifier can be set in three different ways:

- Set the rotary switches at the front of the expansion card to a value between 0 and 63. Each switch represents a decimal figure. For example, to set the address for the drive to 10, set MSD to 1 and LSD to 0.
- Set the rotary switches at the front of the expansion card to a value higher than 63. Now you can set up the station address by using the ASCII commands DNMACID x, SAVE, COLDSTART, whereby "x" stands for the station address.
- Set the rotary switches at the front of the expansion card to a value higher than 63. Now you can set up the station address by using the DeviceNet Object (Class 0x03, Attribute 1). This is normally carried out with the help of a DeviceNet software setup tool. You must save the parameters in non-volatile memory (Class 0x25, Attribute 0x65) and then restart the drive after setting/altering the address.

#### Setting the transmission speed

The DeviceNet transmission speed can be set in three different ways:

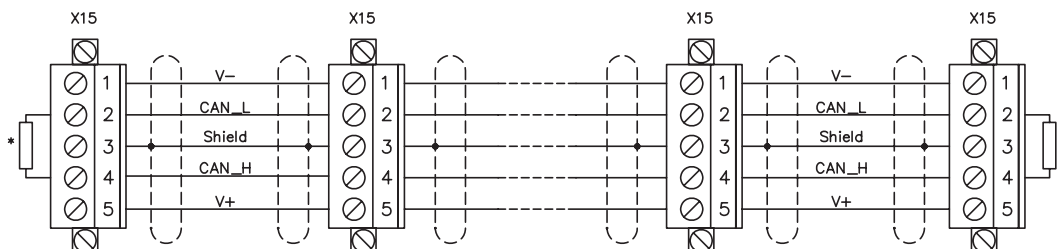
- Set the rotary switch for Baud rate (at the front of the option card) to a value between 0 and 2. 0 = 125 kbit/s, 1 = 250 kbit/s, 2 = 500 kbit/s.
- Set the rotary switch for Baud rate (at the front of the option card) to a value higher than 2. Now you can set the Baud rate by using the terminal commands DNBAUD x, SAVE, COLDSTART, whereby "x" stands for 125, 250 or 500 .
- Set the rotary switch for Baud rate (at the front of the option card) to a value higher than 2. Now you can set the Baud rate by using the DeviceNet Object (Class 0x03, Attribute 2) to a value between 0 and 2. This is normally carried out with the help of a DeviceNet software setup tool. You must save the parameters in non-volatile memory (Class 0x25, Attribute 0x65) and then restart the drive after altering the baud rate.

## 10.1.5.6

## Bus cable

To meet ISO 11898, a bus cable with a characteristic impedance of  $120\ \Omega$  should be used. The maximum usable cable length for reliable communication decreases with increasing transmission speed. As a guide, you can use the following values which we have measured, but they are not to be taken as assured limits.

General characteristic	Specification
Bit rates	125 kbit, 250 kbit, 500 kbit
Distance with larger bus connections	500 meters at 125 kBaud 250 meters at 250 kBaud 100 meters at 500 kBaud
Number of nodes	64
Signal environment	CAN
Modulation	Basic bandwidth
Coupling medium	DC-coupled differential transmit/receive operation
Isolation	500 V (option: optocoupler on the transceiver's node side)
Typical differential input impedance (recessive state)	Shunt C = 5pF Shunt R = 25K $\Omega$ (power on)
Min. differential input impedance (recessive state)	Shunt C = 24pF + 36 pF/m of the permanently attached stub cable Shunt R = 20K $\Omega$
Absolute max. voltage range	-25 V to +18 V (CAN_H, CAN_L) The voltages for CAN_H and CAN_L refer to the ground pin of the transceiver. The voltage is higher than that on the V-terminal by the amount of the forward voltage drop of the Schottky diode. This voltage drop must be < 0.6V.



\* according to line impedance about  $120\ \Omega$

**Grounding:**

The DeviceNet network must only be grounded at one point, to avoid ground loops. The circuitry for the physical layer in all devices are referenced to the V-bus signal. The ground connection is made via the power supply for the bus system. The current flowing between V- and ground must not flow through any device other than the power supply.

**Bus topology:**

The DeviceNet medium utilizes a linear bus topology. Termination resistors are required at each end of the connecting cable. Stub cables are permitted up to a length of 6 meters, so that at least one node can be connected.

**Termination resistors:**

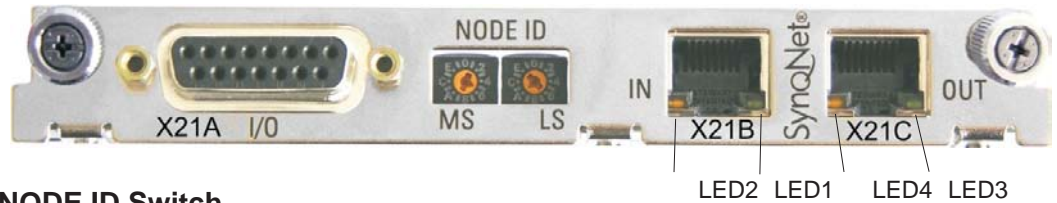
DeviceNet requires a termination **at each end** of the connecting cable.

These resistors must meet the following requirements:  $120\ \Omega$ , 1% metal-film,  $\frac{1}{4}\ W$

## 10.1.6 Expansion card -SYNQNET-

This section describes the SynqNet expansion card for S700. Information on the range of functions and the software protocol can be found in the SynqNet documentation.

### 10.1.6.1 Front view



### 10.1.6.2 NODE ID Switch

With these hexadecimal switches you can set the main and low significant bytes of the Node ID separately. SynqNet does not require an address for correct operation in the network, however in some machines this can be a convenient way of identifying build options to the application program.

### 10.1.6.3 Node LED table

LED#	Name	Function
LED1, green	LINK_IN	ON = receive valid (IN port) OFF = not valid, power off, or reset.
LED2, yellow	CYCLIC	ON = network cyclic BLINK = network not cyclic OFF = power off, or reset
LED3, green	LINK_OUT	ON = receive valid (OUT port) OFF = not valid, power off, or reset
LED4, yellow	REPEATER	ON = repeater on, network cyclic BLINK = repeater on, network not cyclic OFF = repeater off, power off, or reset

### 10.1.6.4 SynqNet Connection, Connector X21B© (RJ-45)

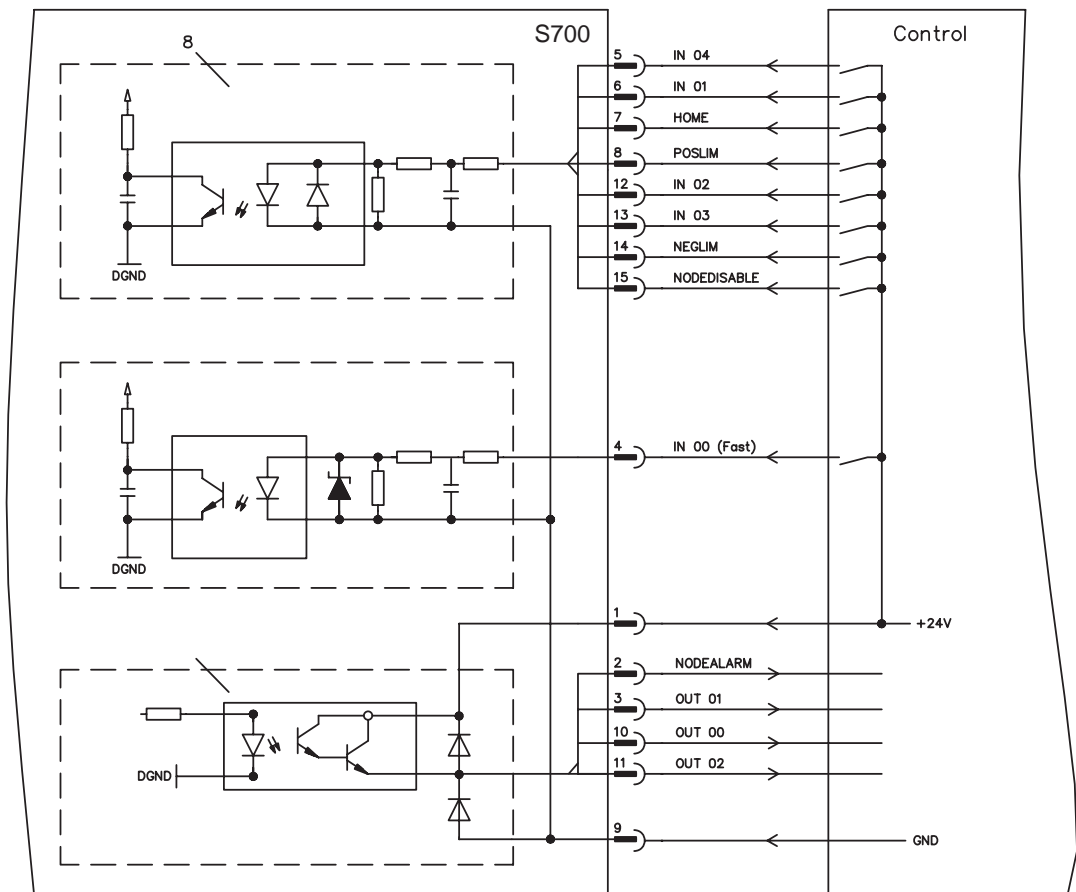
Connection to the SynqNet network via RJ-45 connectors (IN and OUT ports) with integrated LEDs.

10.1.6.5 Digital inputs/outputs, connector X21A (SubD 15-pin, socket)

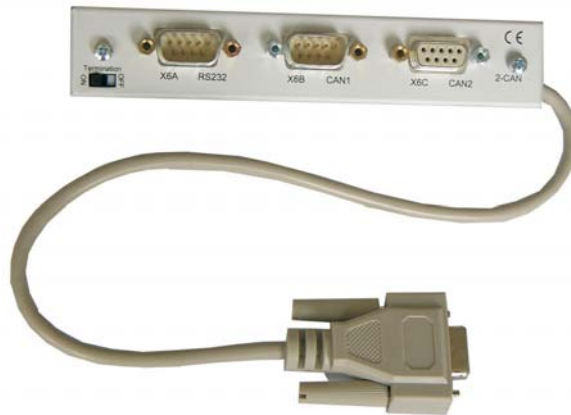
Inputs (In): 24V (20...28V), opto-isolated, one high-speed input (Pin 4)  
 Outputs (Out): 24V, opto-isolated, Darlington driver

Pinout connector X21A (SubD 15 pin)							
Pin	Type	Description		Pin	Type	Description	
1	In	+24V	power supply	9	In	GND	power supply
2	Out	NODE-ALARM	indicates a problem with the node	10	Out	OUT_00	digital output
3	Out	OUT_01	digital output	11	Out	OUT_02	digital output
4	In	IN_00	capture input (fast)	12	In	IN_02	digital input
5	In	IN_04	digital input	13	In	IN_03	digital input
6	In	IN_01	digital input	14	In	NEGLIM	limit switch, negative direction
7	In	HOME	reference switch	15	In	NODE-DISABLE	disables Node
8	In	POSLIM	limit switch, positive direction				

10.1.6.6 Connection diagram digital inputs/outputs, connector X21A



### 10.1.7 Expansion module -2CAN-



Connector X6 of the S700 is assigned to the signals for the RS232 interface and the CAN interface. It is therefore not the standard pin assignment for these interfaces, and a special cable is required to be able to use both interfaces simultaneously.

The -2CAN- expansion module provides the interfaces on separate Sub-D connectors. The two CAN connectors are wired in parallel. A termination resistor ( $120\ \Omega$ ) for the CAN bus can be switched into circuit if the S700 is at the end of the bus.



#### 10.1.7.1 Installation

The modul must be placed onto the option slot after levering off the cover of the option slot 1 (see p. 107):

#### **NOTE**

- Screw the distance pieces into the fixing lugs of the option slot.
- Place the expansion module onto the option slot.
- Screw the screws into the threads of the distance pieces.
- Plug the Sub-D9 socket into connector X6 on the S700

#### 10.1.7.2 Connection technology

Standard shielded cables can be used for the RS232 and CAN interfaces.

#### **NOTE**

If the servo amplifier is the last device on the CAN bus, then the switch for the bus termination must be set to ON. Otherwise, the switch must be set to OFF (condition as delivered).

### 10.1.7.3 Connector assignments

RS232		CAN1=CAN2	
X6A Pin	Signal	X6B=X6C Pin	Signal
1	Vcc	1	
2	RxD	2	CAN-Low
3	TxD	3	CAN-GND
4		4	
5	GND	5	
6		6	
7		7	CAN-High
8		8	
9		9	

### 10.1.7.4 Setup of Station Address and Baud Rate

During setup it makes sense to use the keypad on the front panel to preset the station addresses for the individual amplifiers and the Baud rate for communication.

**NOTE**

After changing the station address and baud rate you must turn the 24V auxiliary supply for the servo amplifier off and on again.

Possible ways for setup:

- keypad on the front panel of the servo amplifier
- setup software: screen page "CAN / Fieldbus"
- serial interface with a sequence of ASCII commands:  
 ADDR nn ⇒ SAVE ⇒ COLDSTART (with nn = address)  
 CBAUD bb ⇒ SAVE ⇒ COLDSTART (with bb = baud rate in kBaud)

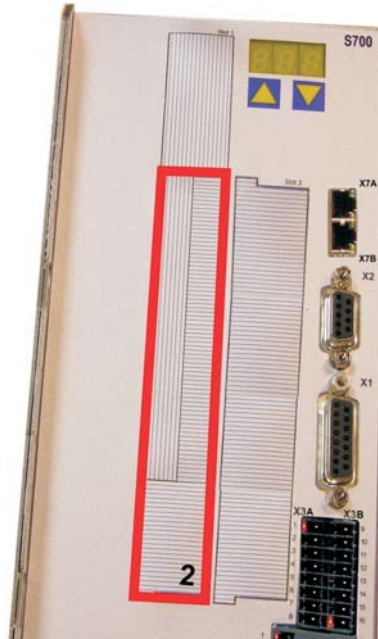
Coding of the Baud rate in LED display:

Coding	Baud rate in kBit/s	Coding	Baud rate in kBit/s
1	10	25	250
2	20	33	333
5	50	50	500
10	100	66	666
12	125	80	800
		100	1000



## 10.2 Expansion cards for slot 2

### 10.2.1 Guide to installation of expansion cards in slot 2



Boundary of SLOT 2

The method of installing the expansion card in slot 2 is the same as that described for slot 1 (see p.107).

- Remove the **lower** crosshatched area of the front film (labeled slot 2).
- Lever out the cover plates under the film.
- Push the expansion card into the slot.
- Use the screws provided to fasten the front plate of the expansion card in place.

### 10.2.2 Option "F2", controlled Fan

To reduce noise emission the servo amplifiers can be ordered with the built-in option card F2. This option cannot be built-in later. The F2 option card fits to slot2 or 3 (see part number scheme on p.22).

#### **NOTE**

Option card F2 can be used combined with a card in slot 1 even if it is plugged to slot 2!

#### Function

The fan is switched on and off or runs with 50% rated speed depending on temperature and brake power. That reduces the average noise emission.

#### Switching temperature

Monitoring	Fan off	Fan ~50%	Fan on
Internal temperature	< 55°C	~ 58°C	> 65°C
Heat sink temperature	< 60°C	~ 65°C	> 75°C
Brake resistor (internal)	< 20W	~ 30W	> 45W

### 10.2.3 Expansion cards "Posl/O" & "Posl/O-Monitor"

The "Posl/O" and "Posl/O-Monitor" expansion card can be pushed into slot2 or 3. The expansion cards cannot be combined and the use of only one slot in time is allowed.

#### Posl/O



This expansion card provides an extra SubD connector (X5) with high-speed, bidirectional digital 5 V inputs/outputs. The setup software can be used to preset various input and output functions, e.g.:

- Position encoder emulation (ROD- or SSI-compatible)
- Input for high-speed 5 V RS485 signals (electronic gearing, master-slave operation)

#### Posl/O-Monitor



This expansion card provides the features of the Posl/O card plus an extra connector X3C with analog +/-10V Inputs and Outputs (see page 129, chapter "Analog I/O"). Functionality can be set with the setup software or with macro functions.

10.2.3.1 Feedback

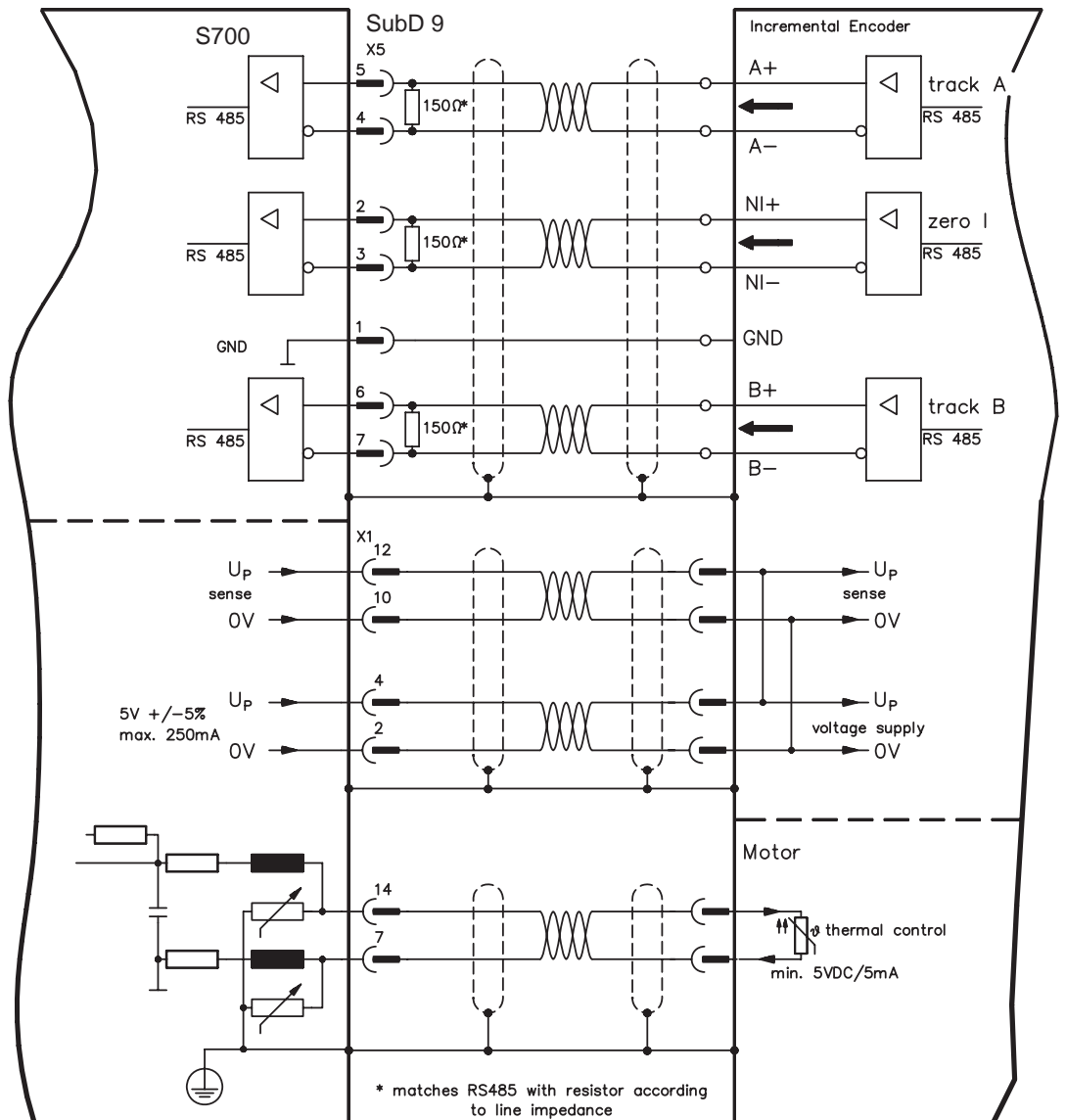
10.2.3.1.1 ROD (AquadB) 5V (X5, X1)

A 5V incremental encoder (AquadB) can be used as standard motor feedback (primary and secondary, ⇒ p.63). Every time the 24V auxiliary voltage is switched on, the amplifier need start-up information for the position controller (parameter value MPHASE). Depending on the feedback type either wake&shake is executed or the value for MPHASE is read out of the amplifier's EEPROM.

**⚠ WARNING** With vertical load the load could fall during wake&shake, because the brake is not active and torque is not sufficient to hold the load. Don't use this feedback type with vertical load (hanging load).

The power supply for the encoder and thermal control in the motor is connected to X1. If lead lengths of more than 50m are planned please consult our customer service. Frequency limit (A, B, N): 1.5 MHz

Type	FBTYP	EXTPOS	GEARMODE	Remarks
AquadB 5V	13	3	3	MPHASE from EEPROM
AquadB 5V	19	3	3	MPHASE wake & shake



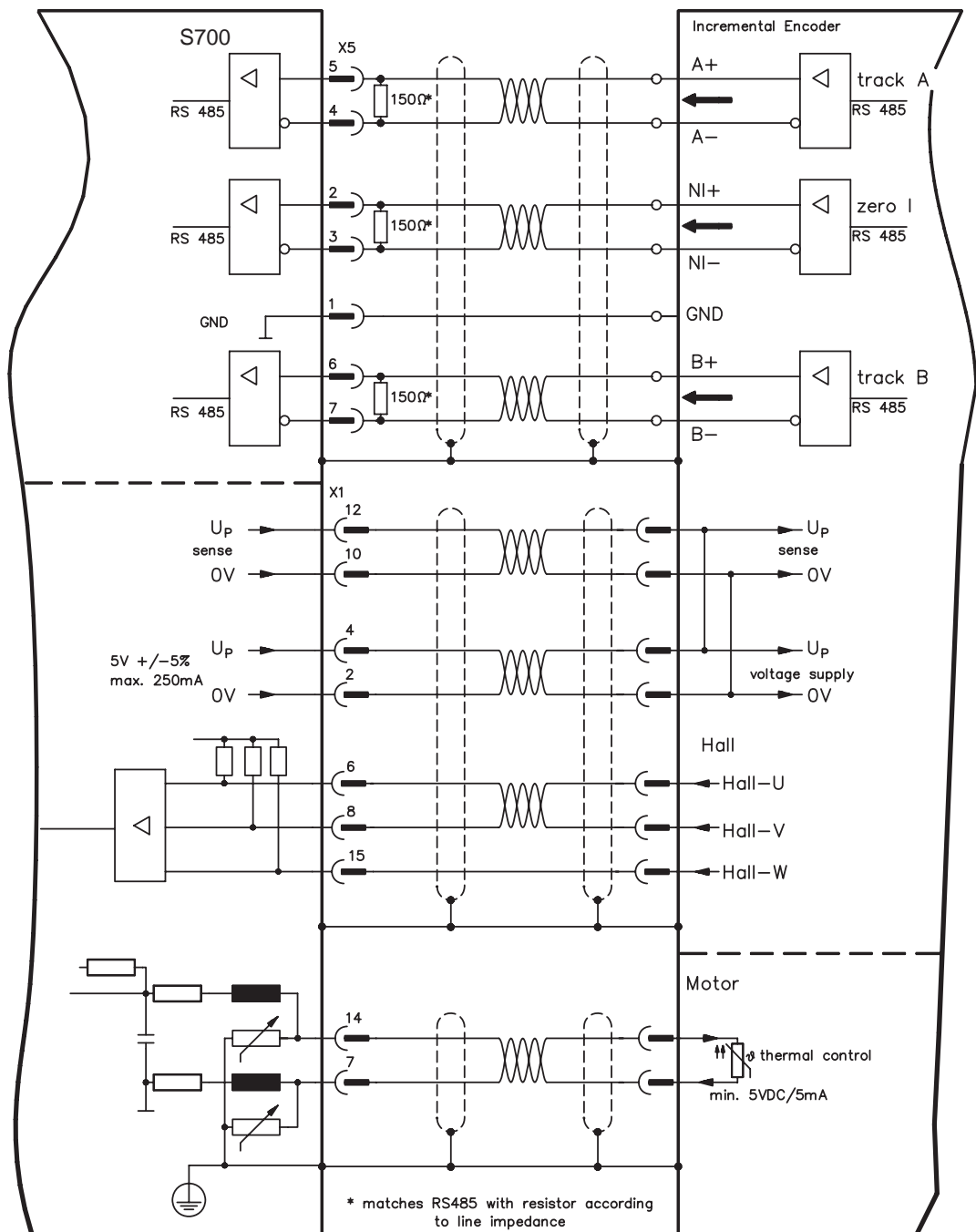
10.2.3.1.2 ROD (AquadB) 5V with Hall (X5, X1)

Wiring of a 5V incremental encoder (ROD, AquadB) with Hall sensors as a feedback unit (primary, ⇒ p.63). For the commutation hall sensors are used and for the resolution an incremental encoder.

The power supply for the encoder and thermal control in the motor is connected to X1 and evaluated there.

If cable lengths of more than 25m are planned, please consult our customer service.  
Frequency limit X5: 1.5 MHz, X1: 350 kHz

Type	FBTYP	EXTPOS	GEARMODE
AquadB 5V with Hall	18	-	-



10.2.3.1.3 SSI Encoder (X5, X1)

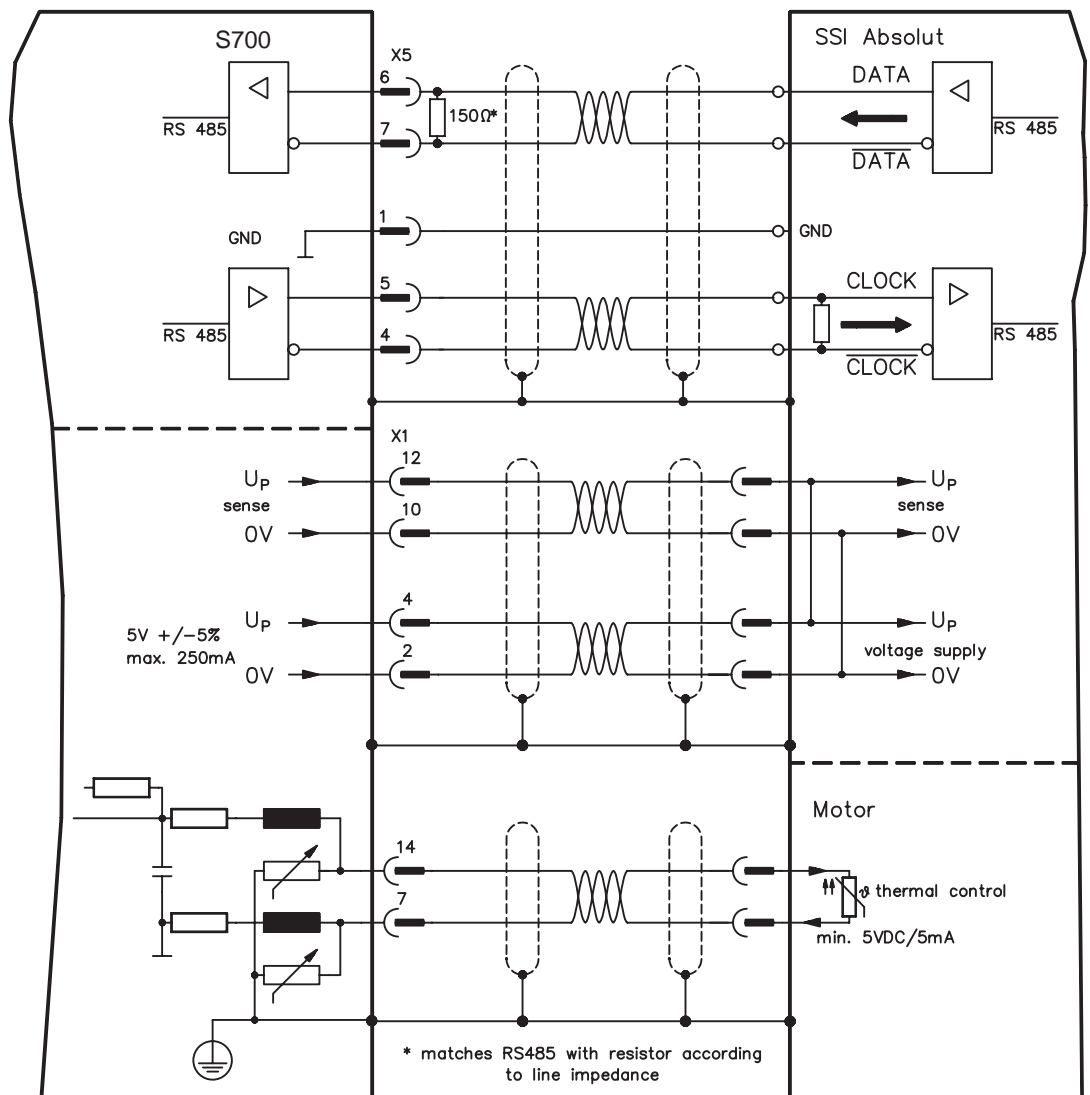
Wiring of a synchronous serial absolute-encoder as a feedback system (primary or secondary, ⇒ p.63). The signal sequence can be read in **Gray** code or in **Binary** (standard) code.

The power supply for the encoder and thermal control in the motor is connected to X1 and evaluated there.

If cable lengths of more than 50m are planned, please consult our customer service.

Frequency limit: 1.5 MHz

Type	FBTYP	EXTPOS	GEARMODE
SSI	9	5	5



**10.2.3.2 Electronic gearing, Master-Slave operation**

**10.2.3.2.1 Connection to a S700 master, 5V signal level (X5)**

You can link several S700 amplifiers together in master-slave operation.

Master: position output to X5 (screen page "Encoder emulation")

Slave: screen page "Electronic gearing" (GEARMODE)

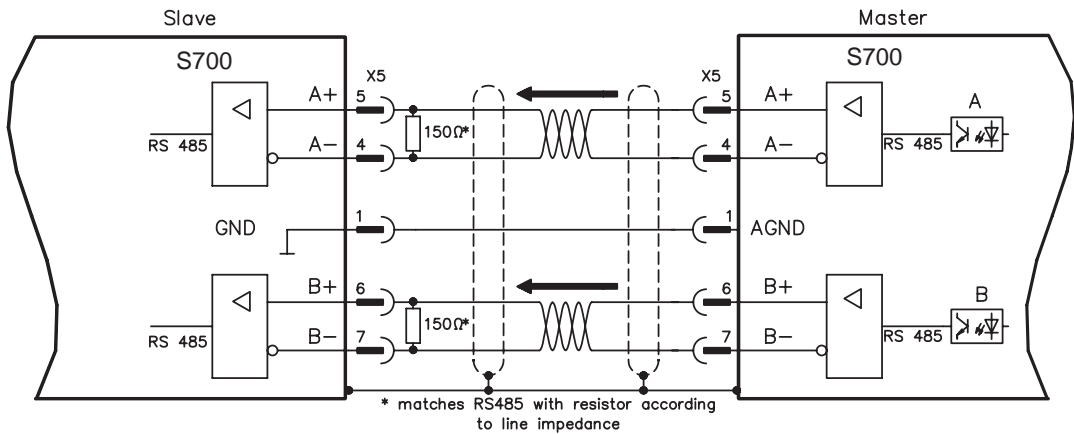
Up to 16 slave amplifiers can be controlled by the master, via the encoder output. The SubD connector X5 is used for this purpose.

Frequency limit: 1.5 MHz

Example for Master-Slave operation with two S700 amplifiers:

Slave **GEARMODE: 3**

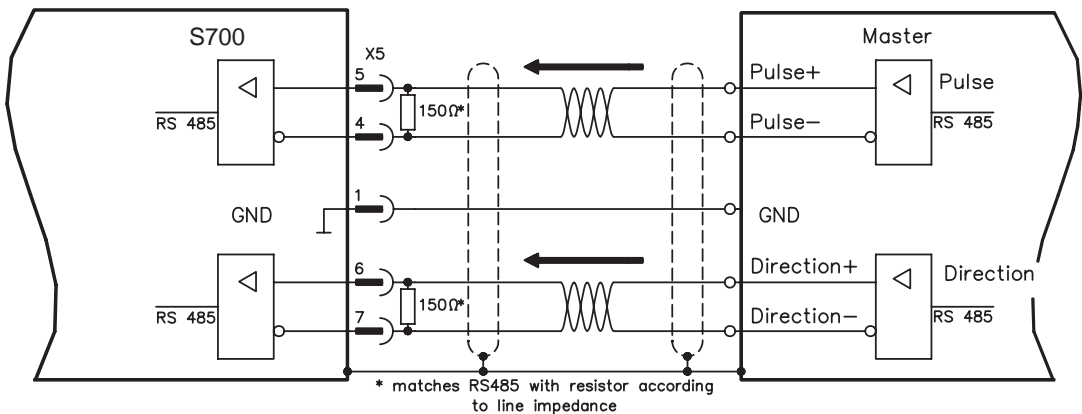
Master **ENCMODE:1**



**10.2.3.2.2 Connection to stepper motor controllers with 5 V signal level (X5)**

Wiring of the servo amplifier (SubD connector X5) to a stepper-motor controller with a 5 V signal level. Frequency limit: 1.5 MHz

Type	FBTYPE	EXTPOS	GEARMODE
Step/Direction 5V	-	-	4



10.2.3.3 Encoder-Emulation

10.2.3.3.1 Incremental encoder output - A quad B (X5)

Fast incremental encoder interface. Select encoder function ROD (A Quad B) Encoder ("Encoder Emulation" screen page). The servo amplifier calculates the motor shaft position from the cyclic- absolute signals of the resolver or encoder, generating incremental-encoder compatible pulses from this information. Pulse outputs on the SubD connector X5 are 2 signals, A and B, with 90° phase difference (i.e. in quadrature, hence the alternative term "A quad B" output), with a zero pulse.

The resolution (before multiplication) can be set by the RESOLUTION function:

Enc. function (ENCMODE)	Feedback system	Resolution (lines)	Zero pulse (NI)
ROD (1)	2 pole Resolver	256...4096	once per turn (only at A=B=1)
	Encoder	256...524288 (2 <sup>8</sup> ... 2 <sup>19</sup> )	once per turn (only at A=B=1)
ROD interpolation (3)	Encoder	2 <sup>2</sup> ... 2 <sup>7</sup> (multiplication) TTL line x encoder resolution	encoder signal passed through from X1 to X5

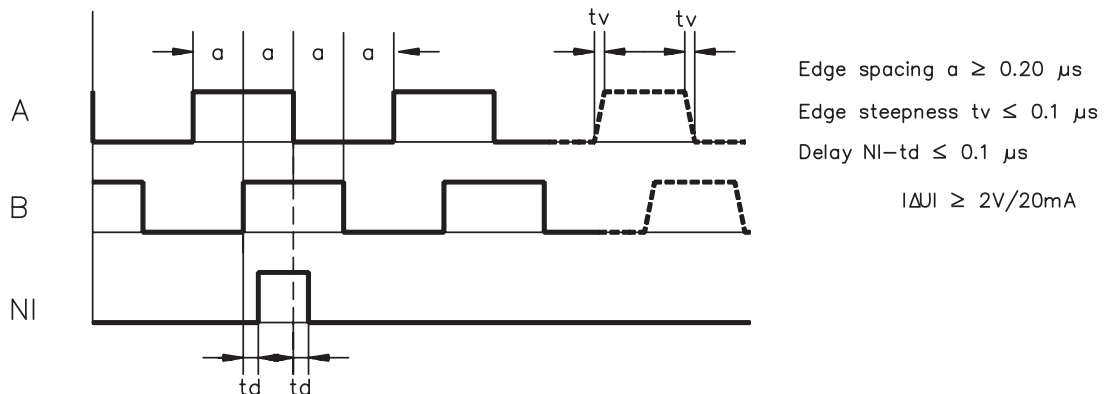
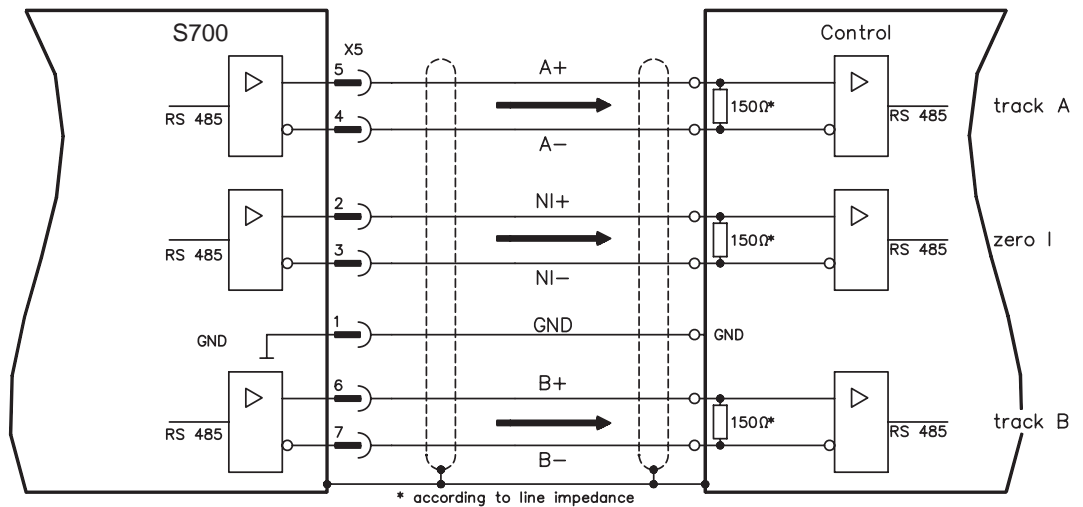
Use the NI-OFFSET parameter to adjust + save the zero pulse position within one mechanical turn. The drivers operate off an internal supply voltage.

**NOTE**

The maximum permissible cable length is 100 meters.

Connections and signals for the incremental encoder interface :

Default count direction: UP when the motor shaft is rotating clockwise (looking at the shaft's end)







**10.2.3.4 Analog Inputs and Outputs**

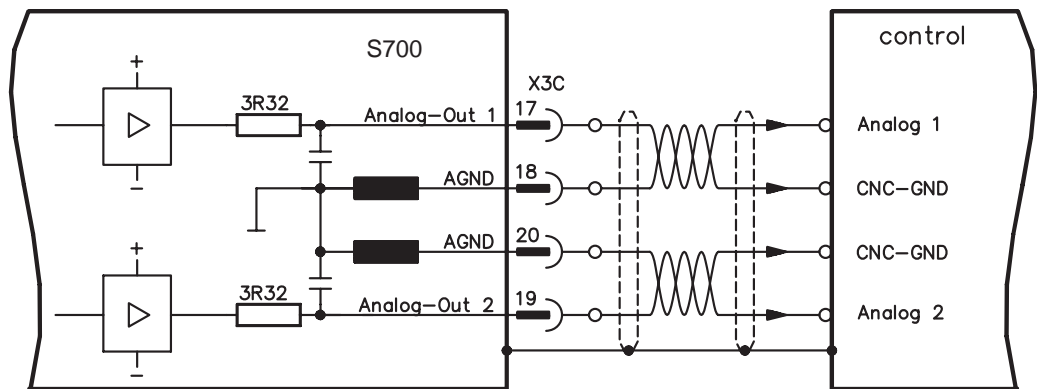
The expansion card "**PosI/O-Monitor**" adds analog inputs and outputs to the servo amplifier where pre-programmed signals can be assigned to. A listing of these pre-programmed functions can be found on the screen page "Analog I/O" of the setup software.

**10.2.3.4.1 Analog Outputs ANALOG-OUT 1 and 2**

You can use terminals X3C/17 (Analog-Out 1) respectively X3C/19 (Analog-Out 2) to deliver analog values converted from internal digital values (e.g. tachometer voltage).

**Technical characteristics**

- Reference ground is Analog-GND (AGND, terminal X3C/18 and X3C/20)
- Specification according to EN 61131-2 table 11
- Output voltage  $\pm 10$  V
- Resolution:  $\pm 16$  Bit

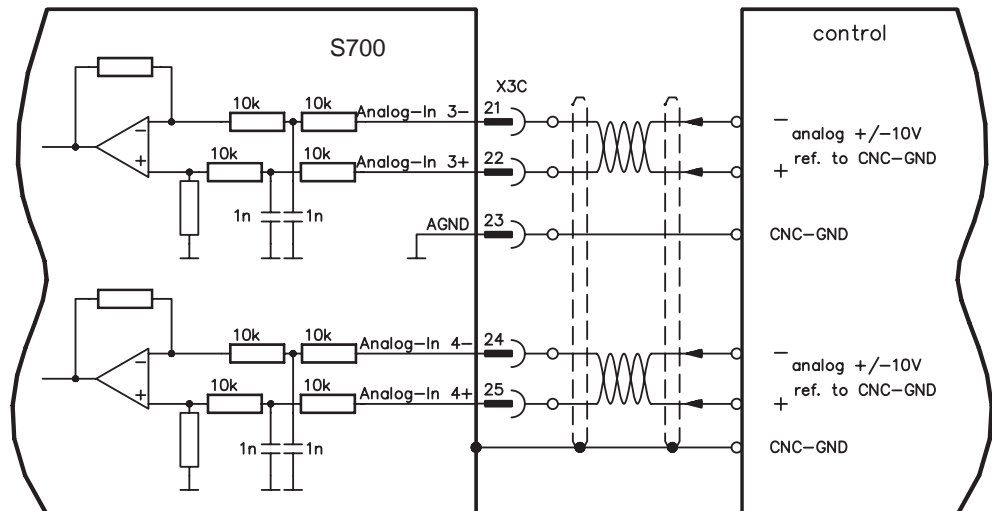


**10.2.3.4.2 Analog Inputs ANALOG-IN 3 and 4**

You can use terminals X3C/21-22 (Analog-In 3) respectively terminal X3C/24-25 (Analog-In 4) with several pre-programmed functions (e.g. adjustable current limitation).

**Technical characteristics**

- Differential input voltage max.  $\pm 10$  V
- Resolution 1.25 mV, 16 bits, scalable
- Ground reference AGND, terminal X3C/23
- Input resistance 20 k $\Omega$
- Common-mode voltage range for both inputs  $\pm 10$  V
- Update rate 62.5  $\mu$ s



## 10.3 Expansion cards for slot 3

### 10.3.1 Guide to installation of expansion cards in slot 3



The method of installing the expansion card in slot 3 is the same as that described for slot 1 (see p.107).

- Remove the area of the front film **colored yellow** (labeled slot 3).
- Lever out the cover plates under the film.
- Remove the small PCB (STO Bridge) which is plugged into slot. Use suitable pliers.
- Push the expansion card into the slot.
- Use the screws provided to fasten the front plate of the expansion card in place.

Boundary of SLOT3

### 10.3.2 Option "F2", controlled Fan

To reduce noise emission the servo amplifiers can be ordered with the built-in option card F2. This option cannot be built-in later. The F2 option card fits to slot2 or 3 (see part number scheme on p.22).

#### Function

The fan is switched on and off or runs with 50% rated speed depending on temperature and brake power. That reduces the average noise emission.

#### Switching temperature

Monitoring	Fan off	Fan 50%	Fan on
Internal temperature	< 55°C	~ 58°C	> 65°C
Heat sink temperature	< 60°C	~ 65°C	> 75°C
Brake resistor (internal)	< 20W	~ 30W	> 45W

### 10.3.3 Expansion cards "PosI/O" & "PosI/O-Monitor"

The "PosI/O" and "PosI/O-Monitor" expansion cards can be pushed into slot 2 or 3. The expansion cards cannot be combined and the use of only one slot in time is allowed. A detailed description of the interfaces can be found from page 122.

## 11 Appendix

### 11.1 Glossary

<b>B</b>	Brake circuit	Converts superfluous energy fed back by the motor during braking (regenerated energy) into heat.
<b>C</b>	Clock	Clock signal
	Common-mode voltage	The maximum amplitude of a disturbance (on both inputs) which a differential input can eliminate
	Counts	Internal count pulses, 1 pulse = $\frac{1}{2}^{20}$ turn <sup>-1</sup>
	Continuous power of brake circuit	Mean power that can be dissipated in the brake circuit
<b>D</b>	Current controller	Regulates the difference between the current setpoint and the actual value to 0 Output : power output voltage
	DC bus link	Rectified and smoothed power voltage
	Disable	Removal of the ENABLE signal
<b>E</b>	Earth short	electrical connection between a phase and the protective earth (PE)
	Enable	Enable signal for the servo amplifier, Hardware-Enable with 24V signal to X3, Software-Enable command by setup Software, fieldbus or permanently set. Both are required for enabling the amplifier.
<b>F</b>	ENABLE	Enable signal for the servo amplifier (+24 V)
	Fieldbus interface	CANopen, PROFIBUS, SERCOS etc.
<b>G</b>	Final speed (limit speed)	Maximum value for the speed normalization at $\pm 10$ V
	GRAY-code	Special format for representing binary numbers
<b>H</b>	Holding brake	Brake in the motor, that can only be used when the motor is at standstill
<b>I</b>	I <sub>rt</sub> threshold	Monitoring of the r.m.s. current that is actually required
	Input drift	Temperature and age-dependent alteration of an analog input
	Incremental encoder interface	Position signaling by 2 signals with 90° phase difference (i.e. in quadrature), is not an absolute position output
<b>K</b>	I <sub>peak</sub> , peak current	The effective value of the peak current
	I <sub>rms</sub> , effective current	The r.m.s. value of the continuous current
<b>L</b>	K <sub>p</sub> , P-gain	Proportional gain of a control loop
	Limit speed (final speed)	Maximum value for speed normalization at $\pm 10$ V
	Limit switch	Switch limiting the traverse path of the machine; implemented as n.c. (break) contact

<b>M</b>	Machine	The complete assembly of all connected parts or devices, of which at least one is movable
	Motion block	Data packet with all the position control parameters which are required for a motion task
	Multi-axis system	Machine with several independently driven axes
<b>N</b>	Natural convection	Free movement of air for cooling
<b>O</b>	Optocoupler	Optical connection between two electrically independent systems
<b>P</b>	P-controller	Control loop with purely proportional behavior
	Phase shift	Compensation for the lag between the electro-magnetic and magnetic fields in the motor
	PI-controller	Control loop with proportional and differential behavior
	Position controller	Regulates the difference between the position setpoint and the actual position to 0 Output: speed setpoint
	Potential isolation	electrically decoupled, electrical isolation
	Power contactor	System protection device with phase monitoring
	Pulse power of the brake circuit	Maximum power which can be dissipated in the brake circuit
<b>R</b>	Reset	New start of the microprocessor
	Resolver/digital converter	Conversion of the analog resolver signals into digital information
	Reversing mode	Operation with a periodic change of direction
	Ring core	Ferrite rings for interference suppression
	ROD-interface	Incremental position output
<b>S</b>	Servo amplifier	Control device for regulating the speed, torque and position of a servomotor
	Setpoint ramps	Limits for the rate of change of the speed setpoint
	Short-circuit	here: electrically conductive connection between two phases
	Speed controller	Regulates the difference between the speed setpoint and the actual value to 0 Output : current setpoint
	SSI-interface	Cyclically absolute, serial position output
	Supply filter	Device to divert interference on the power supply cables to PET
	Tachometer voltage	Voltage proportional to the actual speed
	Thermal control	Temperature-sensitive device built into the motor winding (usually PTC)
	Tn, I-integration time	Integral component of a control loop
<b>Z</b>	Zero pulse	Output once per turn from incremental encoder, used to zero the machine

## 11.2 Order codes

The order numbers of accessories such as cables, brake resistors, mains supplies, etc., can be found in the accessories manual (CDROM or website).

### 11.2.1 Servo amplifiers

Article (standard version)*	EU order code	US order code
Servo amplifier S70101	S70101-NANANA	
Servo amplifier S70301	S70301-NANANA	
Servo amplifier S70601	S70601-NANANA	
Servo amplifier S71201	S71201-NANANA	
Servo amplifier S7120P	S7120P-NANANA	
Servo amplifier S72401	S72401-NANANA	
Servo amplifier S7240P	S7240P-NANANA	

\*= Standard: with internal brake resistor, CANopen and EtherCAT onboard, single channel STO. See "Part number scheme" on p. 22.

Article (standard version with F2 option built Slot 2)	EU order code	US order code
Servo amplifier S70101-NAF2NA	S70101-NAF2NA	
Servo amplifier S70301-NAF2NA	S70301-NAF2NA	
Servo amplifier S70601-NAF2NA	S70601-NAF2NA	
Servo amplifier S71201-NAF2NA	S71201-NAF2NA	
Servo amplifier S7120P-NAF2NA	S7120P-NAF2NA	
Servo amplifier S72401-NAF2NA	S72401-NAF2NA	
Servo amplifier S7240P-NAF2NA	S7240P-NAF2NA	

Article (standard version with F2 option built in Slot 3)	EU order code	US order code
Servo amplifier S70101-NANAF2	S70101-NANAF2	
Servo amplifier S70301-NANAF2	S70301-NANAF2	
Servo amplifier S70601-NANAF2	S70601-NANAF2	
Servo amplifier S71201-NANAF2	S71201-NANAF2	
Servo amplifier S7120P-NANAF2	S7120P-NANAF2	
Servo amplifier S72401-NANAF2	S72401-NANAF2	
Servo amplifier S7240P-NANAF2	S7240P-NANAF2	

### 11.2.2 Memory Card

Article	EU order code	US order code
Industrial Memory Card (can remain in the drive)	DE-201257	in process

## 11.2.3 Expansion cards

### 11.2.3.1 Covers for Option Slots

Article	EU order code	US order code
Slot covers (1 for Slot 1 & 1 for 2/3)	DE-201295	in process

### 11.2.3.2 Slot 1

Article	EU order code	US order code
Expansion card DeviceNet	DE-103571	OPT-DN
Expansion card PROFIBUS DP	DE-106712	OPT-PB3
Expansion card SERCOS	DE-90879	OPT-SE
Expansion card I/O-14/08	DE-90057	OPT-EI
Expansion card SynqNet	DE-200073	OPT-SN
Expansion module 2CAN	DE-201076	not available

### 11.2.3.3 Slot 2

Article	EU order code	US order code
Expansion card PosI/O	DE-200881	in process
Expansion card PosI/O-Monitor	DE-201294	in process

### 11.2.3.4 Slot 3

Article	EU order code	US order code
Expansion card PosI/O	DE-200881	in process
Expansion card PosI/O-Monitor	DE-201294	in process

## 11.2.4 Mating connectors

Article	EU order code	US order code
Mating connector X3A	DE-200447	CON-S7X3A
Mating connector X3B	DE-200448	CON-S7X3B
Mating connector X3C	DE-200957	CON-S7X3C
Mating connector X4A	DE-200449	CON-S7X4A
Mating connector X4B	DE-200450	CON-S7X4B
Mating connector X0	DE-200451	CON-S7X0
Mating connector X0F*	DE-200955	CON-S7X0F
Mating connector X0Y	DE-200851	CON-S7X0Y
Mating connector X8	DE-200452	CON-S7X8
Mating connector X8F*	DE-200956	CON-S7X8F
Mating connector X8Y	DE-200852	CON-S7X8Y
Mating connector X9	DE-200453	CON-S7X9

\* F-Type: with spring action clamps for fast wiring

### 11.3 Repair-/Disposal request Telefax form

To

Kollmorgen Europe GmbH  
 Pempelfurtstraße 1  
 40880 Ratingen  
 Deutschland

Fax: +49 (0) 2102 9394 3444

Please advise dispatch information for (please select)

- Repair
- Disposal

of these products:

Product	Serial number	Reason ("fault", "return" or similar)

to this address:

<b>Company</b>	
<b>Street</b>	
<b>Zip / City</b>	
<b>Country</b>	
<b>Specialist Name</b>	
<b>Telephone</b>	
<b>Telefax</b>	
<b>E-Mail</b>	

City, Date

Signature

## 11.4

## Index

<b>I</b>	24V aux. supply, interface . . . . .	59	<b>H</b>	Hall sensor interface . . . . .	78
<b>A</b>	Abbreviations . . . . .	8		Hardware requirements . . . . .	91
	Ambient temperature. . . . .	28		Hiperface encoder interface . . . . .	68
	Analog inputs. . . . .	81		Humidity . . . . .	28
	Assembly. . . . .	46		in operation. . . . .	28
<b>B</b>	Baud rate . . . . .	101		Storage. . . . .	19
	BiSS encoder . . . . .	65	<b>I</b>	Inputs	
	Block diagram (overview) . . . . .	55		Analog setpoints . . . . .	81
	Brake resistor			Analog, optional. . . . .	129
	Interface, ext. . . . .	60		Enable . . . . .	83
	Technical data . . . . .	30		programmable . . . . .	83
	Brake, see also motor-holding brake. . . . .	29		STO-Enable . . . . .	82
	BTB/RTO. . . . .	84		Installation	
<b>C</b>	CAN bus cable . . . . .	86		Electrical . . . . .	49
	CANopen interface. . . . .	86		Expansion card Slot2 . . . . .	121
	CE conformance . . . . .	15		Expansion card Slot3 . . . . .	130
	Comcoder interface . . . . .	74		Expansion cards Slot1 . . . . .	107
	Conductor cross-sections . . . . .	28		Mechanical . . . . .	45
	Connection diagram . . . . .	57		Software . . . . .	91
	Connector assignments . . . . .	56	<b>K</b>	Keypad operation . . . . .	101
	Connectors. . . . .	27	<b>L</b>	Leakage current . . . . .	44
<b>D</b>	DC bus link, interface . . . . .	61		LED display . . . . .	101
	Devicenet bus cable . . . . .	116	<b>M</b>	Maintenance . . . . .	19
	Digital inputs . . . . .	82		Master-slave . . . . .	79
	Dimensions. . . . .	47		MMC memory card. . . . .	88
	Disassembling . . . . .	20		Motor interface . . . . .	62
	Disposal . . . . .	20		Mounting position . . . . .	28
	Dynamic Braking. . . . .	30	<b>N</b>	Nameplate . . . . .	21
<b>E</b>	Electronic gearing . . . . .	79		Noise emission. . . . .	26
	Enclosure protection . . . . .	28	<b>O</b>	Operating systems . . . . .	91
	Encoder emulation . . . . .	127		Optical power . . . . .	113
	EnDat 2.2 Encoder Interface. . . . .	67		Option F2 . . . . .	121
	EnDat encoder interface . . . . .	66		Order codes. . . . .	133
	Error messages. . . . .	104		Outputs	
	EtherNet			Analog, optional. . . . .	129
	EtherCat Protocol . . . . .	87		BTB/RTO. . . . .	84
	Ethernet IP Protocol . . . . .	87		programmable . . . . .	84
	Ethernet TCP/IP Protocol . . . . .	87	<b>P</b>	Package supplied . . . . .	21
	ProfiNet Protocol . . . . .	87		Packaging . . . . .	19
	SERCOS III Protocol . . . . .	87		Part number scheme. . . . .	22
	SynqNet Protocol. . . . .	87		PC cable . . . . .	85
	Expansion card			PC connection . . . . .	85
	-2CAN-. . . . .	119		Pollution level . . . . .	28
	-Device-Net-. . . . .	114	<b>Q</b>	Quickstart . . . . .	92
	-I/O-14/08-. . . . .	108	<b>R</b>	RCD . . . . .	44
	-PosI/O-. . . . .	122		Re-forming . . . . .	89
	-PosI/O-Monitor-. . . . .	122		Repair . . . . .	20
	-PROFIBUS-. . . . .	111		Repair request . . . . .	135
	-SERCOS-. . . . .	112		Resolver interface . . . . .	64
	-SynqNet-. . . . .	117		ROD 24V interface . . . . .	75
<b>F</b>	Fan assembly . . . . .	48		ROD 24V with Hall interface . . . . .	76
	Feedback. . . . .	63		ROD 5V 350kHz . . . . .	73
	Fusing . . . . .	27		ROD 5V with Hall interface. . . . .	74
<b>G</b>	Glossary . . . . .	131		ROD 5V, 1.5MHz. . . . .	72
	GOST-R . . . . .	17		ROD emulation, interface . . . . .	127
	Ground symbol. . . . .	51		RS232/PC, interface . . . . .	85
	Grounding				
	Connection diagram . . . . .	57			
	Installation . . . . .	50			



<b>S</b>	Safe drive function STO . . . . .	37	<b>T</b>	Target group. . . . .	7
	Safety characteristic data . . . . .	37		Technical data . . . . .	26
	Safety instructions . . . . .	10		Tightening torques, connectors . . . . .	27
	Setup. . . . .	89		Transport. . . . .	19
	Setup software . . . . .	90		Trouble shooting . . . . .	106
	Shield connection . . . . .	52	<b>U</b>	UL Certificate. . . . .	14
	Shielding			Use as directed	
	Connection diagram, . . . . .	57		Safety Function STO . . . . .	38
	Installation . . . . .	50		Servo amplifiers . . . . .	11
	Shock-hazard protection . . . . .	44		Setup Software. . . . .	90
	SinCos encoder w/o data channel . . . . .	70	<b>V</b>	Ventilation	
	SinCos encoder with Hall . . . . .	71		Installation . . . . .	45
	SinCos+SSI at X1 . . . . .	69		Technical data . . . . .	28
	Site. . . . .	45		Vibrations . . . . .	28
	Site altitude. . . . .	28	<b>W</b>	Warnings . . . . .	105
	SSI 5V at X1 . . . . .	77		Wiring . . . . .	50
	SSI 5V at X5 . . . . .	125			
	SSI emulation, interface . . . . .	128			
	Stacking height. . . . .	19			
	Standards . . . . .	15			
	Station adress				
	Can bus . . . . .	101			
	DeviceNet. . . . .	115			
	SERCOS . . . . .	113			
	Step/Direction 24V . . . . .	80			
	Step/Direction 5V at X1 . . . . .	80			
	Step/Direction 5V at X5. . . . .	126			
	STO . . . . .	37			
	Storage. . . . .	19			
	Supply connection, interface. . . . .	59			
	Supply networks . . . . .	58			
	Supply voltage . . . . .	28			
	Switch-on/switch-off behavior . . . . .	32			
	System components, overview. . . . .	54			

## Service

We are committed to quality customer service. In order to serve in the most effective way, please contact your local sales representative for assistance.  
If you are unaware of your local sales representative, please contact the Customer Support.

### Europa

#### **Kollmorgen Customer Support Europe**

Internet [www.kollmorgen.com](http://www.kollmorgen.com)

E-Mail [technik@kollmorgen.com](mailto:technik@kollmorgen.com)

Tel.: +49 (0)2102 - 9394 - 0

Fax: +49 (0)2102 - 9394 - 3155

### North America

#### **Kollmorgen Customer Support North America**

Internet [www.kollmorgen.com](http://www.kollmorgen.com)

E-Mail [support@kollmorgen.com](mailto:support@kollmorgen.com)

Tel.: +1 - 540 - 633 - 3545

Fax: +1 - 540 - 639 - 4162