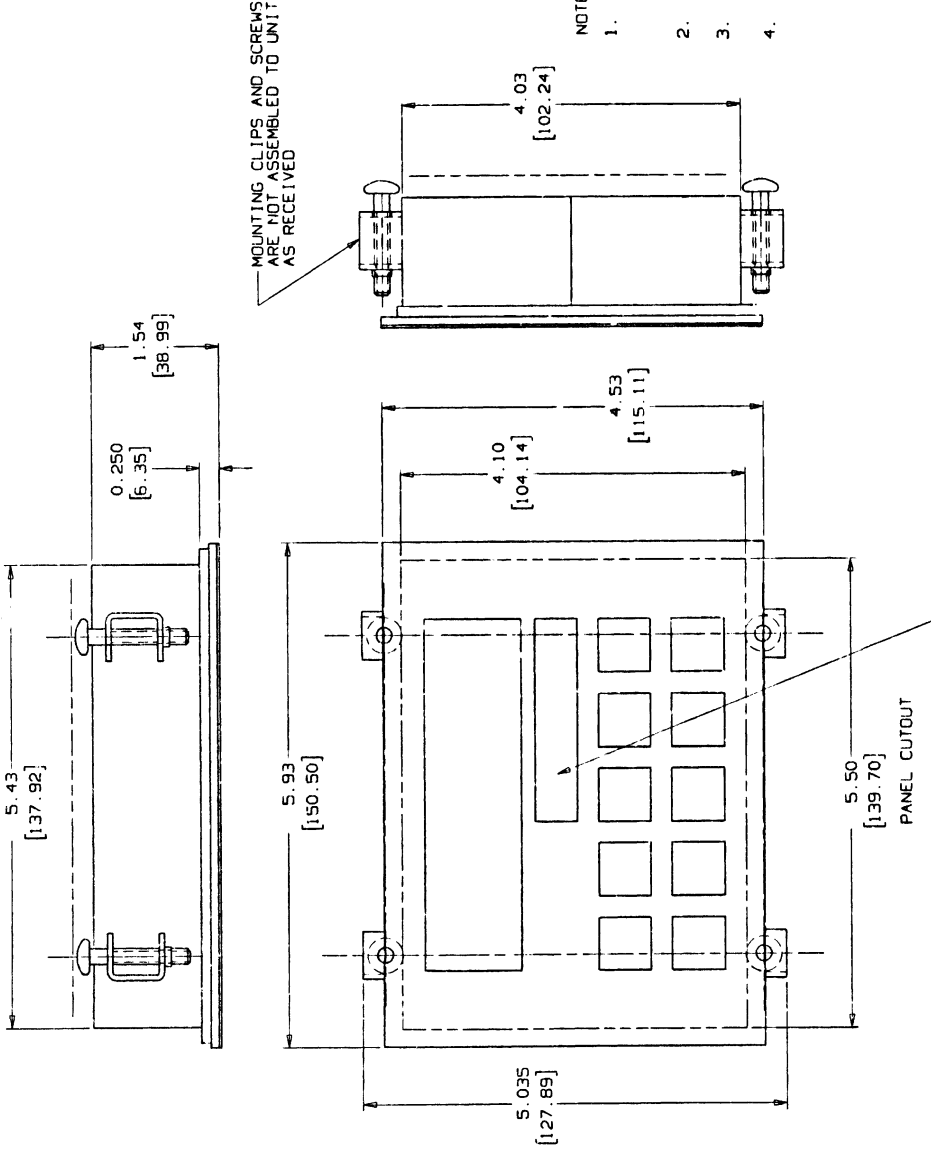


CAD DRAWING... COMPUTER UPDATE ONLY

LTR.	EC NUMBER	REVISION DESCRIPTION	DATE	APP'D
A		ISSUE FOR RELEASE	4-23-94	
B	82200	ADD NOTE 5	11-07-94	MAW
C	82889	ADDED MANUAL, NOTE 4	02-17-97	U- <i>MAW</i>



NOTES:

1. PURCHASE FROM NEMATRON CORPORATION ANN ARBOR, MICHIGAN. CONTROL PANEL PART NUMBER IWS-30
2. BASIC FIRMWARE TO BE LOADED AS RECEIVED.
3. REFERENCE TEST SPEC. 222680-001 AND PRODUCT SPEC. 222681-001.
4. ADDITIONAL ITEMS AS FOLLOWS ARE PACKED WITH EACH UNIT  
 INSTALLATION GUIDE WITH REFERENCES TO NEMATRON CHANGED TO SUPERIOR ELECTRIC  
 (4) MOUNTING BRACKETS AND SCREWS FROM PLASTIC BEZEL  
 WARNER ELECTRIC MANUAL #400030056
5. UNLESS OTHERWISE SPECIFIED ALL DIMENSIONS ARE CONSIDERED REFERENCE.

GRAPHICS TO READ "SUPERIOR ELECTRIC"  
 SEE SUPERIOR ELECTRIC DRAWING 222698-001

GROUP NO.	PART REV
-001	B

UNLESS OTHERWISE SPECIFIED DIMENSIONS ARE IN INCHES TOLERANCE ON DECIMALS IS .010 ANGLES MATERIAL PURCHASE	
DATE	4-23-94
APP'D	MAW

TITLE		CONTROL PANEL	
SUPERIOR ELECTRIC		IWS 30-SE	
DATE	4-23-94	SCALE	
APP'D	MAW	ESK	293600
GROUP NO.	58474	SHEET	1 OF 1

**SUPERIOR ELECTRIC**  
 WARNER ELECTRIC  
 383 MIDDLE STREET BRISTOL CT 06010  
 (203)582-9551 FAX (203)589-2136

SIZE  
 C 222536