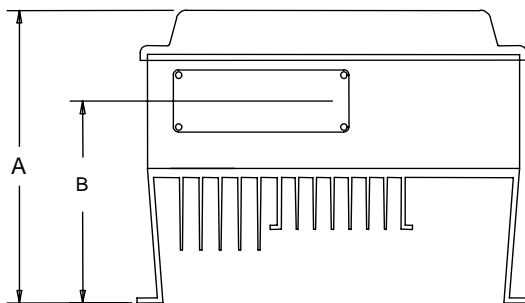
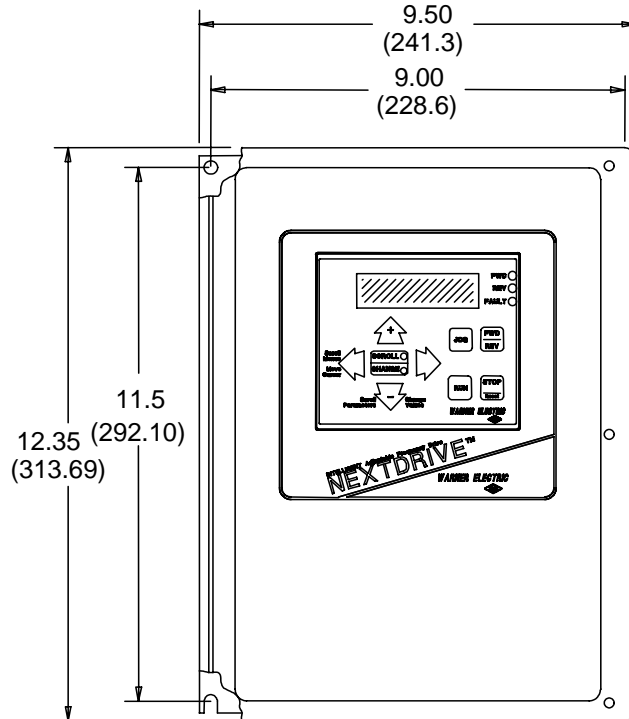


MOUNTING DIMENSIONS SC4000 NEMA 4/12 SERIES

(DRAWING NOT TO SCALE)

Unless otherwise specified:

1. Mounting holes on 9.00" and 11.50" centers.
2. (4) 1/4-20 screws required for mounting



	A	B
1-5 HP	7.06 (179.32)	4.88 (123.95)
7.5, 10, & 15 HP	8.31 (211.07)	6.13 (155.70)

For Assistance, contact Danaher Motion Customer Support:

Phone: 1-540-633-3400

Fax: 1-540-639-4162

Email: customer.support@danahermotion.com

Website: www.danahermotion.com

