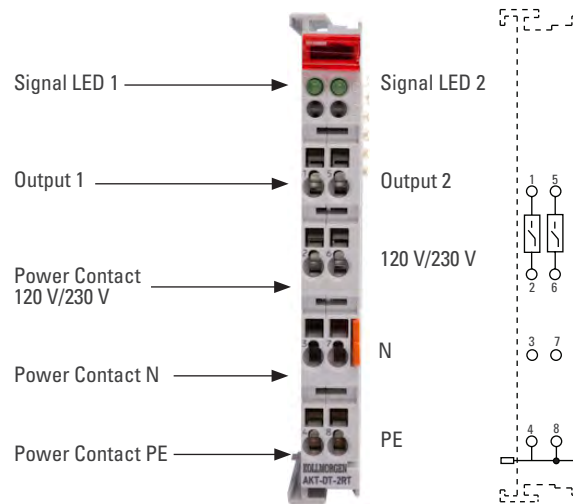


2-Channel Relay Output Terminal - 230 V AC, 2 A

The 2-channel output terminal has two relays each of which has a single contact. The relay contact is connected to the power contacts, which are suitable for use at up to 230 V AC, and can be generally used for switching devices requiring mains power. The Bus Terminal indicates its signal state by means of a light emitting diode. The Bus Terminals have potential-free contacts. The power contacts are not looped through.



Electrical and Mechanical Specification	AKT-DT-2RT-000
Number of outputs	2 x make contacts
Rated load voltage	230 V AC/30 V DC
Ohmic switching current	5 A AC/DC
Inductive switching current	2 A AC/DC
Minimum permitted load	10 mA at 5 V DC
Lamp test, electronic ballast	4 x 58 W
Electrical isolation	500 V _{rms} (standard-bus / field potential)
Current consumption standard-bus	85 mA
Bit width in the process image	2 outputs
Operating cycles mech. (min.)	2 x 10 ⁷
Operating cycles electr. (min.)	1 x 10 ⁵ (5 A/30 V DC)
Configuration	No address or configuration settings
Weight	80 g approx.
Operating/storage temperature	0 °C ... +55 °C / -25 °C ... +85 °C
Relative humidity	95 %, no condensation
Vibration/shock resistance	Conforms to EN 60068-2-6 / EN 60068-2-27/ 29
EMC immunity/emission	Conforms to EN 61000-6-2 / EN 61000-6-4
Protect. class/installation pos.	IP 20 / variable
Pluggable wiring	For all Bus Terminals

203 A West Rock Road • Radford, VA 24141 USA • Phone: 1-540-633-3545

KOLLMORGEN | www.kollmorgen.com