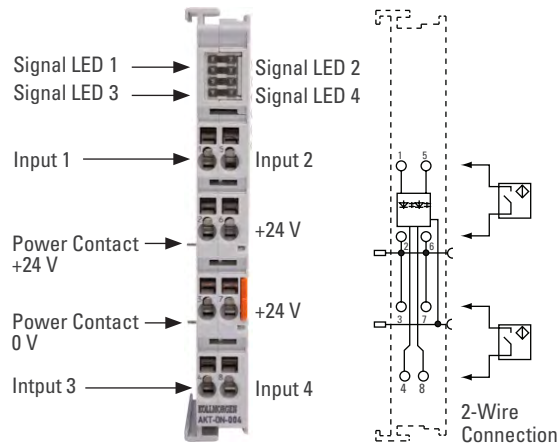


4-Channel Digital Inputs, 24 V DC

The 4 channel digital input terminals acquire the binary 24 V control signals and transmit them, in an electrically isolated form, to the higher-level automation unit. These terminals contain four channels that indicate their signal state by means of LEDs and have different input filters. The input signal of these terminals corresponds to IEC 61131-2, type 1. Additionally, the 4-channel Bus Terminals enable the direct connection of four 2-wire sensors. Four +24 V connection points are provided.



AKT-DN-004 / AKT-DNH-004

Electrical and Mechanical Specification	AKT-DN-004-000	AKT-DNH-004-000
Number of inputs	4	
Nominal Voltage	24 V DC (-15 % / + 20 %)	
"0" signal voltage	-3 V ... 5 V (IEC 61131-2, type 1/3)	
"1" signal voltage	15 V ... 30 V (IEC 61131-2, type 3)	
"0" signal current	0...1.5 mA	
"1" signal current	2.0...2.5 mA	
Input filter	3.0 ms	0.2 ms
Current consumption standard-bus	Typ. 3 mA	
Electrical isolation	500 V _{rms} (standard-bus / field potential)	
Bit width in the process image	4 inputs	
Configuration	No address or configuration settings	
Weight	50 g	
Operating/storage temperature	0 °C ... +55 °C / -25 °C... +85 °C	
Relative humidity	95 %, no condensation	
Vibration/shock resistance	Conforms to EN 60068-2-6 / EN 60068-2-27 / 29	
EMC immunity/emission	Conforms to EN 61000-6-2 / EN 61000-6-4	
Protect. class/installation pos.	IP 20 / variable	
Pluggable wiring	For all Bus Terminals	

203 A West Rock Road • Radford, VA 24141 USA • Phone: 1-540-633-3545