

Seco

AC/DC Drives

Bronco VFD Series
Adjustable Frequency Drives

BVFD161, BVFD163, BVFD163WD



User Manual
Edition: 5/06


Copyright © 2006 by
Danaher Motion

All rights reserved. No part of this manual may be reproduced or transmitted in any form without written permission from Danaher Motion. The information and technical data in this manual are subject to change without notice. Danaher Motion and its Divisions make no warranty of any kind with respect to this material, including, but not limited to, the implied warranties of its merchantability and fitness for a given purpose. Danaher Motion and its Divisions assume no responsibility for any errors that may appear in this manual and make no commitment to update or to keep current the information in this manual. KC0304

Printed in the United States of America.

Safety Warnings



- This symbol  denotes an important safety tip or warning. Please read these instructions carefully before performing any of the procedures contained in this manual.
- **DO NOT INSTALL, REMOVE, OR REWIRE THIS EQUIPMENT WITH POWER APPLIED.** Have a qualified electrical technician install, adjust and service this equipment. Follow the National Electrical Code and all other applicable electrical and safety codes, including the provisions of the Occupational Safety and Health Act (OSHA), when installing equipment.
- Reduce the chance of an electrical fire, shock, or explosion by using proper grounding, over-current protection, thermal protection, and enclosure. Follow sound maintenance procedures.



It is possible for a drive to run at full speed as a result of a component failure. Danaher Motion strongly recommends the installation of a master switch in the main power input to stop the drive in an emergency.

Circuit potentials are at 115 VAC or 230 VAC above earth ground. Avoid direct contact with the printed circuit board or with circuit elements to prevent the risk of serious injury or fatality. Use a non-metallic screwdriver for adjusting the calibration trimpots. Use approved personal protective equipment and insulated tools if working on this drive with power applied.

General Information

The SECO Bronco VFD Series are solid-state, variable-frequency AC motor drives. The Bronco VFD utilizes a 115 or 230 VAC, 50/60 Hz, single-phase input, and is factory calibrated for an output of 0 to 60 Hz. They will operate any 1.5 HP or smaller, 208/230-volt three-phase-AC-induction, single-phase permanent split capacitor motor (see page v) and can be user calibrated for 0 through 120 Hz output.

Although Bronco VFD inverters can operate over their full speed range, most motors will operate with constant torque over a 10:1 speed range, 6 Hz to 60 Hz, and constant horsepower above 60 Hz. (Inverter-duty motors may operate satisfactorily over a 20:1 speed range.) Some motors can be satisfactorily operated at speeds as low as 50 rpm (speed range 50:1). Below 50 rpm, some motors may show signs of “stepping” or “cogging”, and may run warmer.

*Although the Bronco VFD will allow a minimum of 0 Hz, the actual minimum frequency is dependent on motor type and load. The motor may need to be derated for low-frequency (30 Hz and lower) operation. Please consult the motor manufacturer.

Many 3-phase inverter manufacturers claim that they can run single-phase motors effectively. This is normally accomplished by wiring only 2 phases; however, this method may cause instabilities due to the lack of feedback from one of the motor connections. Furthermore, motor torque will be reduced considerably because the phases are 120° apart. Although the Bronco VFD uses this method of connection, its fundamental design enables it to operate efficiently under these conditions.

The Bronco VFD series features solid-state reversing with adjustable acceleration and deceleration. The Bronco VFD may also interface with motor thermal protection through the enable circuit.

Bronco VFD SERIES FEATURES & BENEFITS

- SOLID-STATE CIRCUITRY
- SOLID-STATE REVERSING
- ADJUSTABLE CARRIER FREQUENCY (4 kHz - 16 kHz)
- MULTIPLE MOTOR OPERATION
- THREE-PHASE AND SINGLE-PHASE MOTOR CONTROL

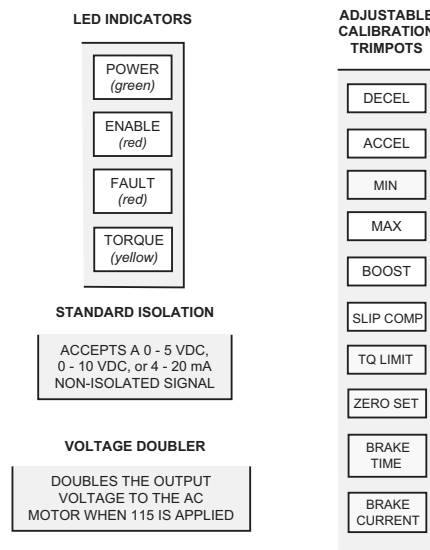


Figure 1. Bronco VFD Series Features & Benefits

Important Information



Warning

Caution should be taken when operating fan-cooled motors at low speeds because their fans may not move sufficient air to properly cool the motor. Danaher Motion recommends “inverter-duty” motors when the speed range is beyond 10:1.

In addition to standard 3-phase induction motors, the following motor types may be used with the Bronco VFD:

- Permanent split capacitor (PSC)
- Shaded pole
- AC synchronous



The following motor types **MAY NOT** be used:

- Split phase
- Capacitor start
- Repulsion induction
- Series Universal AC/DC
- Any motor with starting switch (centrifugal or relay) and/or separate starting winding.

Contents

Safety Warnings	i
General Information	ii
Important Information	v
Specifications	1
Dimensions	2
Layouts	4
Jumper Locations	6
Installation	8
Mounting	9
Wiring	11
Shielding guidelines	12
Heat sinking	13
Fusing	14
Speed adjust potentiometer	15
Connections	16
Input AC Power Connections	16
Motor connections	20
Speed Adjust Potentiometer Connections	22
Signal and Optional Switch Connections	23
Voltage or Current Follower	24
Operation	26
Voltage Doubler	27
Startup	28
To reverse motor direction:	29
Starting and stopping methods	30
To coast the motor to a stop	30
To brake the motor to a stop	30
Thermal protection of the motor	31
Line starting and stopping	33

Calibration	35
Calibration Procedure Setup for 60 Hz Motors:	.38
MAXIMUM SPEED (MAX SPD)	.38
MINIMUM SPEED (MIN SPD)	.39
TORQUE LIMIT (TQ LIMIT)	.39
ACCELERATION (ACCEL)	.40
DECELERATION (DECEL)	.40
BOOST	.41
SLIP COMPENSATION	.42
Calibration Procedure Conclusion	.42
Application Notes	43
Independent adjustable speeds with DIR switch	.43
RUN/JOG switch	.44
Single speed potentiometer control of multiple motors	.45
Quick Reversing	.46
Troubleshooting	47
Before troubleshooting	.47
Diagnostic LEDs	.49
POWER LED	.49
ENABLE LED	.49
FAULT LED	.49
TQ LIMIT LED	.50
Optional C510 Capacitor Kit	.56

Tables

Table 1. Line Fusing Chart	.16
Table 2. Trip or Restart Mode Chart	.34

Illustrations

Figure 1. Bronco VFD Series Features & Benefits	.iv
Figure 2. BVFD163/163WD Dimensions	.2
Figure 3. BVFD161 Dimensions	.3
Figure 4. BVFD163/163WD Circuit Board Layout	.4
Figure 5. BVFD161 Circuit Board Layout	.5
Figure 6. BVFD163/163WD Jumper Locations	.6
Figure 7. BVFD161 Jumper Locations	.7
Figure 8. Speed Adjust Potentiometer	.15
Figure 9. AC Line Connections for BVFD161	.17
Figure 10. AC Line Connections for BVFD163/163WD	.17
Figure 11. Voltage Doubler Feature for BVFD163/163WD	.19
Figure 12. Voltage Doubler Feature for BVFD161	.19
Figure 13. Motor Connections-Single Phase Operation (pre-wired cap)	.20
Figure 14. Motor Connections -Single Phase Operation	.21
Figure 15. Motor Connections -Three Phase Operation	.21
Figure 16. Speed Adjust Potentiometer Connections to TB501	.22
Figure 17. Signal and Optional Switch Connections	.24
Figure 18. Jumper Settings-JMP504 and JMP505	.25
Figure 19. BVFD163/163WD Jumper Settings-JMP506	.31
Figure 20. BVFD161 Jumper Settings-JMP506	.31
Figure 21. Thermal Overload Switch with Optional Enable / Disable Switch	.32
Figure 22. Jumper Settings-JMP503, JMP507	.34
Figure 23. BVFD163/163WD Calibration Trimpot Layout	.36
Figure 24. BVFD161 Calibration Trimpot Layout	.37
Figure 25. Independent Adjustable Speeds	.43
Figure 26. RUN/JOG Switch	.44
Figure 27. Single Speed Potentiometer Control of Multiple Motors	.45
Figure 28. Quick Reversing	.46
Figure 29. BVFD163/163WD Diagnostic LED location	.50
Figure 30. BVFD161 Diagnostic LED location	.51
Figure 31. BVFD161 Carrier frequency capacitor location	.57
Figure 32. BVFD163/163WD Carrier frequency capacitor location	.58

Specifications

Drive	1-Phase Input (VAC)	1 or 3-Phase Output (VAC)	Max HP	Max Continuous Output Current (AC)	AC Amps In
BVFD163	*115 / 230	230	1	4.0	14/7
BVFD163WD	*115 / 230	230	1	4.0	14/7
BVFD161	*115 / 230	230	1½	5.0	20/10

* Connect only 115 VAC line input to the 115 VAC terminals. Application of 230 VAC line input when set for 115 VAC will result in severe damage to the motor and drive, and possible explosion and injury.

† Derate current by 2% per degree if the operating temperature is above 40°C. Under no circumstances may the ambient temperature exceed 55° C.

AC Voltage Input Range	115/230 VAC ± 10%, 50/60 Hz single phase
Standard Carrier Frequency	16 KHz
Output Frequency Range	0 – 120 Hz
Maximum Output Frequency Range	30 – 120 Hz
Minimum Output Frequency Range	0 – 30 Hz
Acceleration Time Range	1 – 12 seconds
Deceleration Time Range	1 – 12 seconds
Analog Input Voltage Range	0 – 5VDC, 0-10VDC, 4-20mA**
Input Impedance, S1 to S2	~ 100K ohms
Braking Current	0-100% rated output
Braking Time	1 – 12 seconds
Vibration	0.5G max (20 – 50 Hz) 0.1G max (> 50 Hz)
Weight	1.2 lb
Ambient Operating Temperature Range	10° – 40° C

** Isolation is standard, and allows for non-isolated speed input, enable and direction switch inputs to be used.

Dimensions

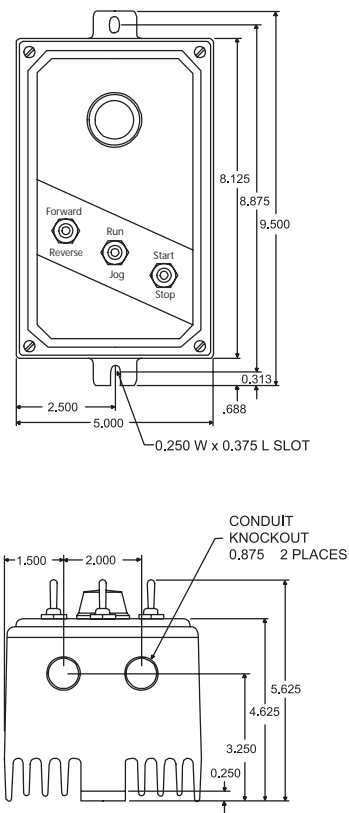


Figure 2. BVFD163 and BVFD163WD Dimensions

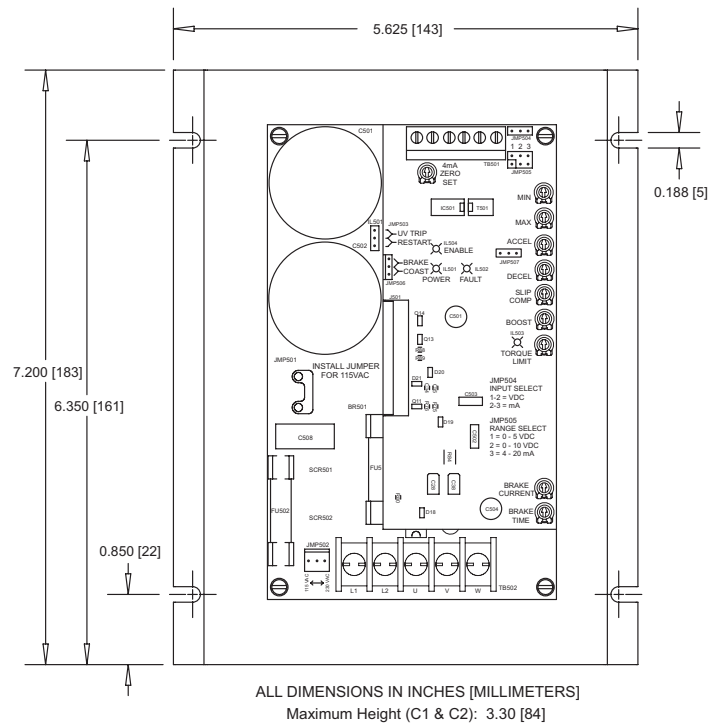


Figure 3. BVFD161 Dimensions

Layouts

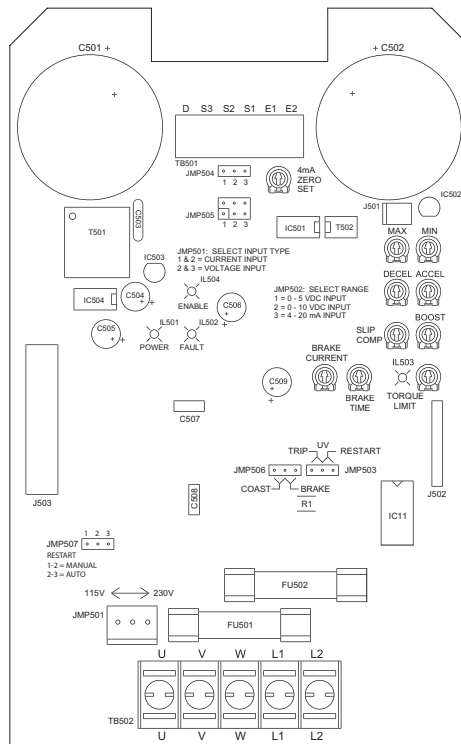


Figure 4. BVFD163 and BVFD163WD Circuit Board Layout

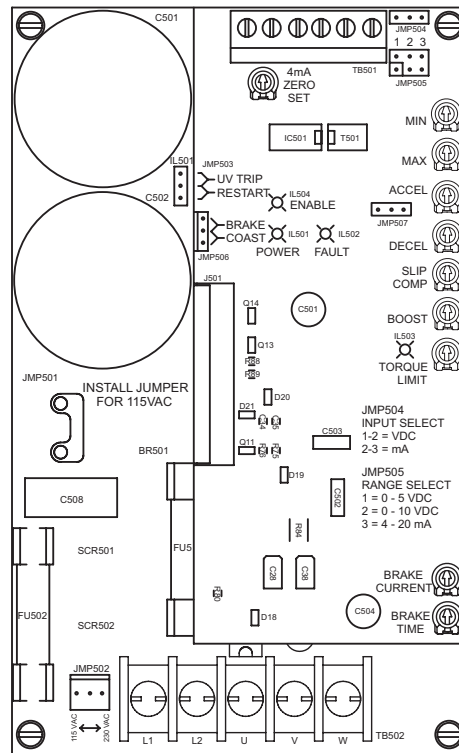


Figure 5. BVFD161 Circuit Board Layout

Jumper Locations

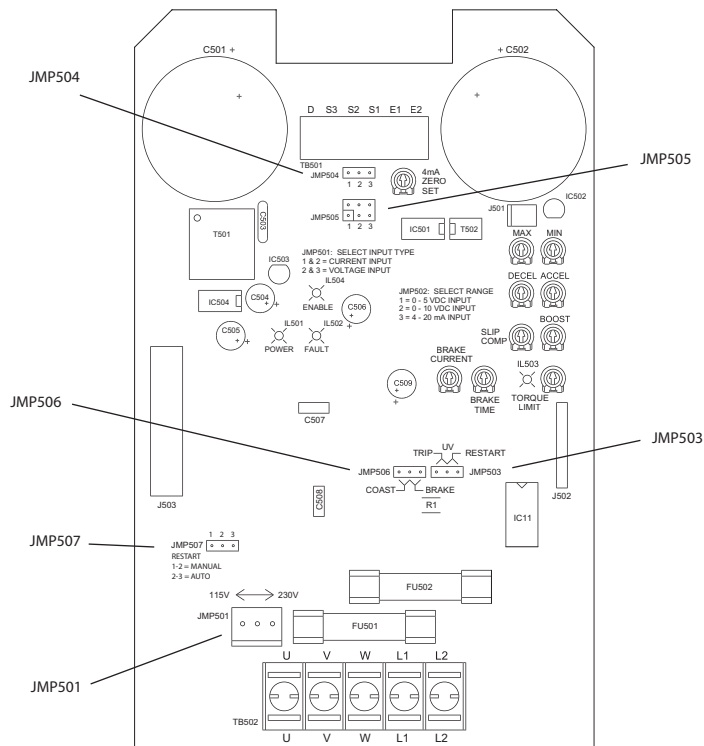


Figure 6. BVFD163 and BVFD163WD Jumper Locations

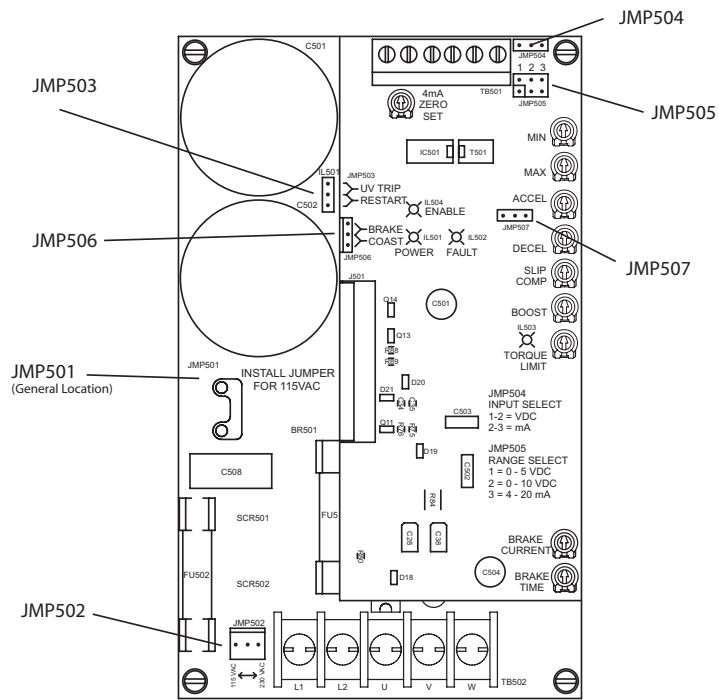


Figure 7. BVFD161 Jumper Locations

Installation



Warning



DO NOT install, rewire, or remove this control with input power applied. Failure to heed this warning may result in fire, explosion, or serious injury.

Circuit potentials are at 115 or 230 VAC above ground. To prevent the risk of injury or fatality, avoid direct contact with the printed circuit board or with circuit elements.

Do not disconnect any of the motor leads from the drive unless power is removed. Opening any one motor lead may damage the drive.

Wait at least one minute after power is removed from drive before working on drive.

- It is recommended that tape be applied to the back side of the conduit knockouts before knocking the two holes out to shield the drive from metal shavings. Surface should be cleaned of all metal shavings and other metal coating material before installation.

Mounting



Warning

DO NOT install, rewire, or remove this control with input power applied. Doing so may cause fire or serious injury. Make sure that you read and understand the Safety Warnings before attempting installation.

NOTE: Horizontal mounting may require derating the drive. See your Danaher Motion representative for more information

- It is recommended that the drive be oriented with the chassis vertical for best heat dissipation. Horizontal mounting, while acceptable, may require some thermal derating.
- Four 0.19-inch (5 mm) wide slots accept #8 pan head screws. Fasten the heatsink chassis to the subplate.
- Drive components are sensitive to electrostatic fields. Avoid direct contact with the circuit board. Hold the drive by the chassis only.

- Protect the drive from dirt, moisture, and accidental contact. Provide sufficient room for access to the terminal block and calibration trimpots.
- Mount the drive away from the heat sources. Operate the drive within the specified ambient operating temperature range.
- Prevent loose connections by avoiding excessive vibration of the drive.
- The chassis must be earth grounded. Use a star washer beneath the head of at least one of the mounting screws to penetrate the anodized chassis surface and to reach bare metal.

Wiring



Warning



DO NOT install, rewire, or remove this control with input power applied. Failure to heed this warning may result in fire, explosion, or serious injury.

Circuit potentials are at 115 or 230 VAC above ground. To prevent the risk of injury or fatality, avoid direct contact with the printed circuit board or with circuit elements.

Do not disconnect any of the motor leads from the drive unless power is removed. Opening any one motor lead may damage the drive.

Wait at least one minute after power is removed from drive before working on drive.

- Use 20 – 24 AWG wire for speed adjust potentiometer wiring. Use 14 AWG wire for AC line (L1, L2) and motor (U,V and W) wiring.

Shielding guidelines



Warning

Under no circumstances should power and logic leads be bundled together. Induced voltage can cause unpredictable behavior in any electronic device, including motor controls.

As a general rule, Danaher Motion recommends shielding of all conductors.

If it is not practical to shield power conductors, Danaher Motion recommends shielding all logic-level leads. If shielding the logic leads is not practical, the user should twist all logic leads with themselves to minimize induced noise.

It may be necessary to earth ground the shielded cable. If noise is produced by devices other than the drive, ground the shield at the drive end. If noise is generated by a device on the drive, ground the shield at the end away from the drive. Do not ground both ends of the shield.

If the drive continues to pick up noise after grounding the shield, it may be necessary to add AC line filtering devices, or to mount the drive in a less noisy environment.

Logic wires from other input devices, such as motion controllers and PLL velocity controllers, must be separated from power lines in the same manner as the logic I/O on this drive.

Heat sinking

All BVFD-series drives are delivered with a heat sink chassis. Ensure that there is adequate space above and below the drive for proper convection air flow. A small fan may be necessary for proper cooling in restricted space applications.

Fusing

BVFD series drives include AC power line fuses on the main PC Board. Use fast-acting fuses rated for 250 VAC or higher. See Table 1 for recommended line fuse sizes.

Table 1. Line Fusing Chart

Drive	1-Phase Input (VAC)	Max HP	AC Amps In	AC Line Fuse Size (Amps)
BVFD163/163WD	115 / 230	1	14/7	15
BVFD161	115 / 230	1½	20/10	20

Speed adjust potentiometer (BVFD161 Only)

Mount the speed adjust potentiometer through a 0.38 in. (10 mm) hole with the hardware provided (Figure 8). Install the circular insulating disk between the panel and the 10K ohm speed adjust potentiometer. Twist the speed adjust potentiometer wire to avoid picking up unwanted electrical noise. If speed adjust potentiometer wires are longer than 18 in. (457 mm), use shielded cable. Keep speed adjust potentiometer wires separate from power leads (L1, L2, U, V, W).

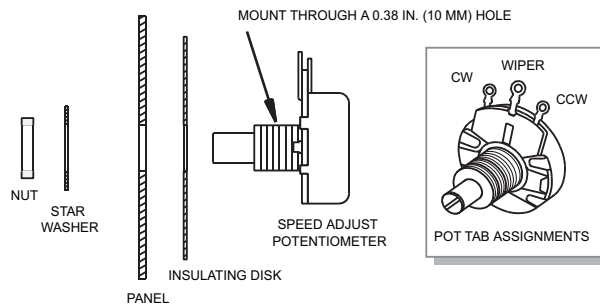


Figure 8. Speed Adjust Potentiometer

Connections

All power input and power output connections are made to TB502.



Warning

DO NOT connect this equipment with power applied. Failure to heed this directive may result in fire or serious injury.

Danaher Motion strongly recommends the installation of a master power switch in the voltage input line. The switch contacts should be rated at a minimum of 200% of motor nameplate current and 250 volts.

Input AC Power connections

Connect the AC power input to TB502 L1 and L2 as shown in Figures 9 and 10 (page 17). Connect an external master stop switch. Install the switch between the external AC power input as shown.

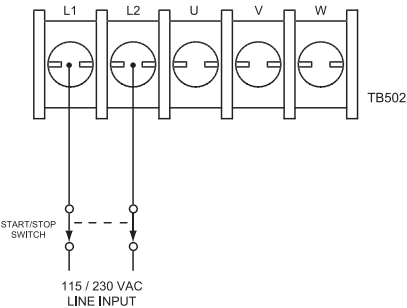


Figure 9. AC Line Connections for BVFD161

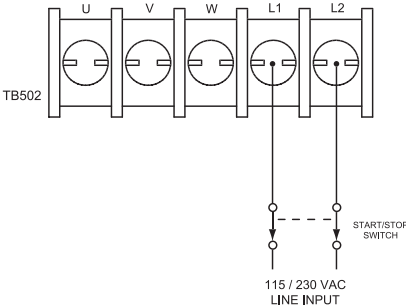


Figure 10. AC Line Connections for BVFD163 and BVFD163WD

Warning

Do not connect 230 VAC line input when the drive is set for 115 VAC input. This will result in severe damage to the motor, and can lead to explosion and/or injury.



Connect AC Power input to L1 and L2 as shown in Figures 9 and 10 (page 17), depending on the model of drive being used.

NOTE: The BVFD series drives are equipped with a voltage-doubler feature, which converts a 115 VAC input to a 230 VAC output, for use with 230V motors. The drive output current rating remains the same for either AC input voltage. Use caution when connecting this output.

If the input voltage is 115 VAC and the desired output voltage is 230 VAC (voltage doubler mode), set jumpers as shown in Figures 11 -12 (page 19).

If the input voltage is 230 VAC and the desired output voltage is 230 VAC (no voltage doubler), set jumpers as shown in Figure 11 -12 (page 19).

Refer to Figures 6 and 7 (pages 6 and 7) for jumper locations.

NOTE: The BVFD series of drives covered in this manual are meant to be used with 208/230 VAC motors only. DO NOT use this series of drives with 115 VAC motors.

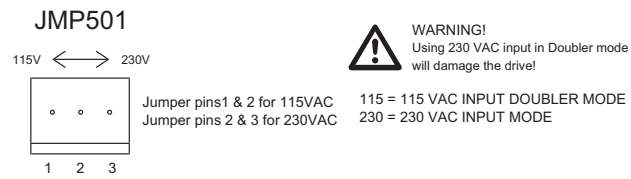


Figure 11. Voltage Doubler Feature for BVFD163 and BVFD163WD

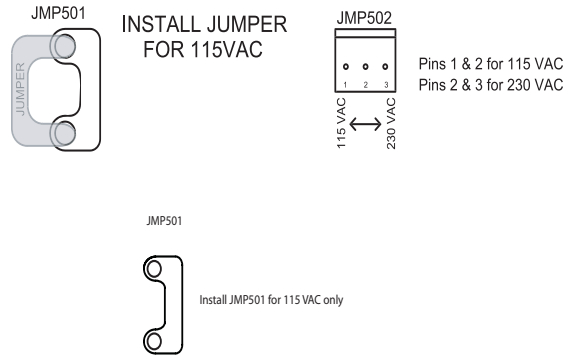


Figure 12. Voltage Doubler Feature for BVFD161

Motor connections (all BVFD-series controls)

Motor connections are made to TB502

Single-phase operation

For single-phase operation, connect the motor as shown below in Figure 13. Ensure that the prewired capacitor and its associated motor coil are connected to terminals U and V as shown. This connection may be internal if using a 2-wire motor. If the motor has three leads, you must make this connection yourself.

To reverse a single phase permanent split capacitor motor, connect the motor as shown in Figure 14 (page 21). The motor cap must be removed from the circuit.

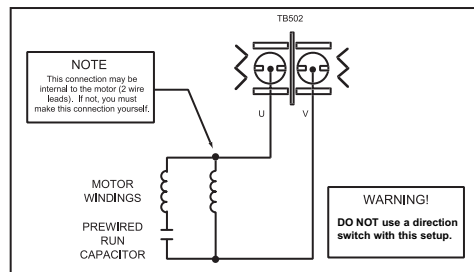


Figure 13. Single Phase Operation (pre-wired cap)

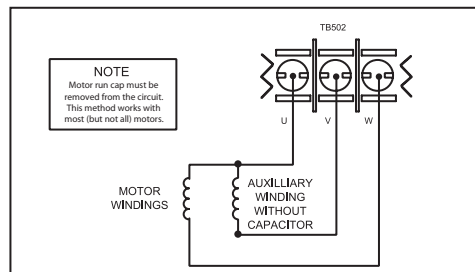


Figure 14. Single Phase Operation (Reversing)

Three-phase operation

Connect a three-phase motor to terminals U, V and W as shown in Figure 15 below.

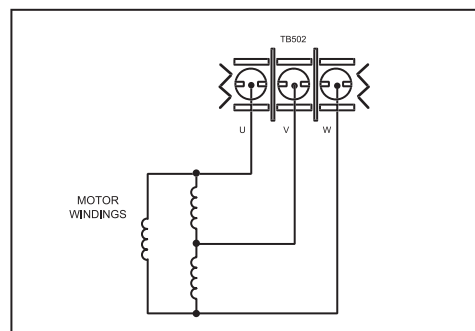


Figure 15. Three-phase Operation

Speed Adjust Potentiometer Connections

Set JMP504 for VDC input by jumpering pins 1 & 2. Set JMP505 for 0-5VDC by jumpering pin column 1. Refer to Figures 6 and 7 (pages 6 and 7) for Jumper Locations. Connect a speed adjust potentiometer to terminals S1, S2 and S3. Make sure the potentiometer is connected so that the motor speed will increase as the potentiometer is turned clockwise. See Figure 16 below.

NOTE: These settings and connections are factory installed on the BVFD163/163WD drives.

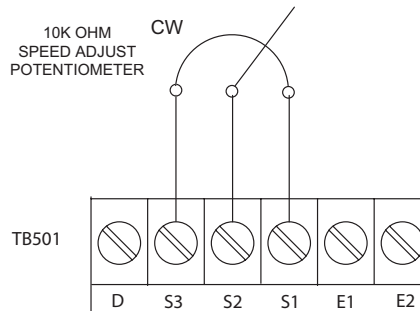


Figure 16. Speed Adjust Potentiometer Connections to TB501

Signal and Optional Switch Connections

All signal and switch connections are made at TB501. Terminal block names are identical for all BVFD series drives. Use 20 - 24 AWG wire for speed adjust potentiometer and switch connections.

NOTE: The Enable/Disable and Direction switch are factory installed on the BVFD163/163WD drives.

ENABLE/DISABLE switch

Connect a single-pole, single-throw ENABLE/DISABLE switch between the ENABLE (E2) and COMMON (E1) terminals as shown. Open the switch to disable the drive and coast or brake to a stop. Refer to (page 30) for stopping method. Close the switch to accelerate to set speed at a rate controlled by the ACCEL trimpot.

DIRECTION (D) switch

Connect a single-pole, single-throw DIRECTION switch between the (D) and COMMON (E1) terminals as shown in Figure 17 (page 24). Opening the switch will cause the motor to rotate in the forward direction; closing the switch will reverse motor rotation.

The drive will decelerate the motor to a stop, (at the DECEL trimpot setting), before reversing, so there is no need to wait for the motor to coast or brake to a stop before changing direction. For faster reversing see Application Notes (page 46).

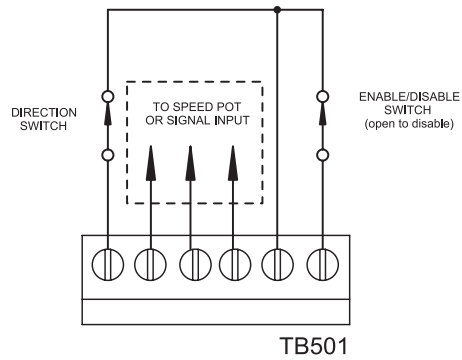


Figure 17. Signal and Optional Switch Connections for BVFD Series.

Voltage or Current Follower

Drives can be configured to follow an isolated or a grounded (non-isolated) voltage or current signal. To configure the drive to follow a voltage or current signal, connect the signal leads to the S1 and S2 terminals on TB501 as shown in Figure 17 above. Ensure that the following jumper terminals are properly set as shown in Figure 18 (page 25).

JMP504 Input Type

Jumper pins 1 & 2 for Voltage follower or speed pot mode.

Jumper pins 2 & 3 for Current follower.

JMP505 Input Range Settings

Set jumper in position 1 for 0-5 VDC signal or speed pot input.

Set jumper in position 2 for 0-10 VDC signal input.

Set jumper in position 3 for 4-20 mA signal. *

* The 4-20 mA ZERO SET potentiometer should be used to calibrate the zero (or minimum) speed of the drive with 4mA applied to the input. For voltage inputs this pot should be set to full CCW.

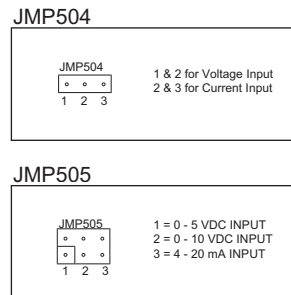


Figure 18. Jumper Settings--JMP504 and JMP505

Operation



Warning



Dangerous voltages exist on the drive when it is powered, and up to 60 seconds after power is removed and the motor stops. BE ALERT. High voltages can cause serious or fatal injury.

Do not change jumper settings with power applied. Ensure that jumper settings are compatible with the motor being controlled.



Voltage Input Warning



DO NOT connect 230 VAC line input when the drive is set for 115 VAC input. This will result in severe damage to the motor and drive, and possible explosion and/or injury.

Voltage Doubler



Warning

DO NOT connect 230 VAC line input when drive is set for 115 VAC input. This will result in severe damage to the motor and drive, and possible explosion or severe injury.

The BVFD series drives are equipped with a unique voltage-doubling feature, for use when 230 VAC input voltage is not available. This feature converts a 115 VAC input to a 230 VAC output, for use with 230V motors. The drive output current rating remains the same for either AC input voltage.

Refer to Figure 11-12 (page 19) for connection information. Use extreme caution when connecting this feature. Incorrect use of this feature may result in fire and/or serious injury.

NOTE: The BVFD series of drives covered in this manual are meant to be used with 208/230 VAC motors only. DO NOT use this series of drives with 115 VAC motors.

Startup



Warning

DO NOT change jumper settings with power applied. Ensure that jumper settings are compatible with the motor being controlled.

Before applying power, verify that no conductive material is present on the printed circuit board.

1. Verify that no conductive material is present on the PCB.
2. Verify that the correct voltage is connected to the inputs before applying power. **DO NOT CONNECT 230 VAC** line voltage to a 115 VAC configured drive. Applying power in this manner will damage the motor and drive.
3. Set the speed adjust potentiometer or reference signal to zero (full CCW).
4. Set the DIRECTION switch (if installed) to the desired direction. If no switch is installed, add or remove a jumper across the (D) and (E1) terminals, as required.
5. Set the ENABLE/DISABLE switch (if installed) to ENABLE, or short the ENABLE (E2) and (E1) terminals on TB501.
6. Apply 115 or 230 VAC, 50/60 Hz, single-phase power to the drive. The green POWER LED will come on after an initial delay of 1 - 2 seconds. If the POWER LED does not light, check the line fuses to ensure that they are properly installed and not open.

7. If you attempt to startup and the yellow TQ LED comes on, the control has entered torque limit mode. To avoid this occurrence, you may:
 - a. increase the torque limit setting*, or
 - b. lengthen the acceleration time enough to accommodate the starting torque needed by adjusting the ACCEL trimpot.

* Do not set the torque limit setting above 150% of the motor's nameplate current rating.

To reverse motor direction:

To reverse the direction of motor shaft rotation while the motor is running, set the DIRECTION switch to the opposite position. If no DIRECTION switch is installed, open or short the (DIR) and (E1) terminals on TB501, as required.

When a new direction is selected, there is no need to open the enable input. The control will automatically decelerate the motor to zero speed, reverse direction, and then accelerate the motor back to the set speed. Acceleration and deceleration rates are controlled by the ACCEL/DECEL trimpot settings. If quicker reversing is needed refer to applications notes section (page 43) for further detail.

NOTE: DO NOT use the DIRECTION switch if there is a capacitor in the motor windings.

Starting and stopping methods

(factory set to COAST position)

To coast the motor to a stop

Insure that JMP506 is set to the COAST position as shown in Figures 19 and 20 (page 31). Refer to Figure 6 and 7 (page 6 and 7) for Jumper Locations. To coast the motor to a stop open the ENABLE/DISABLE switch, or remove the jumper between ENABLE (E2) and COMMON (E1) terminals of TB501. Refer to (page 23) for instructions on switch installation.

To brake the motor to a stop

Insure that JMP506 is set to the BRAKE position as shown in Figures 19 and 20 (page 31). Refer to Figure 6 and 7 (page 6 and 7) for Jumper Locations. Confirm BRAKE CURRENT and BRAKE TIME potentiometers are calibrated to a desired value. BREAK CURRENT is adjustable from 0-100% of rated output current. BRAKE TIME is adjustable from 1 -12 seconds. To brake the motor, open the ENABLE/DISABLE switch, or remove the jumper between ENABLE (E2) and COMMON (E1) terminals of TB501. Refer to (page 23) for instructions on switch installation.

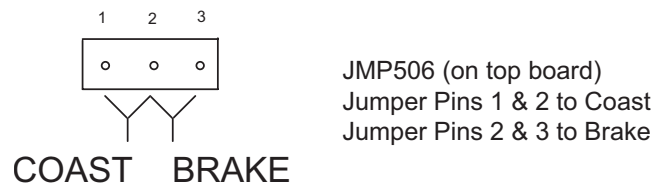


Figure 19. BVFD163 and BVFD163WD Jumper Settings--JMP506



Figure 20. BVFD161 Jumper Settings--JMP506

Thermal protection of the motor

The enable input can also act as a motor thermal protection circuit for motors having a built-in thermal protector. These thermal protectors are operated only by motor heat and open the enable circuit when the motor reaches a temperature capable of causing damage to the motor winding.

Normally, these thermal procedures automatically close the circuit when the motor has cooled to a safe temperature. In operation, the drive can be disabled by opening the enable switch or opening the thermal overload switch. See Figure 21 below.

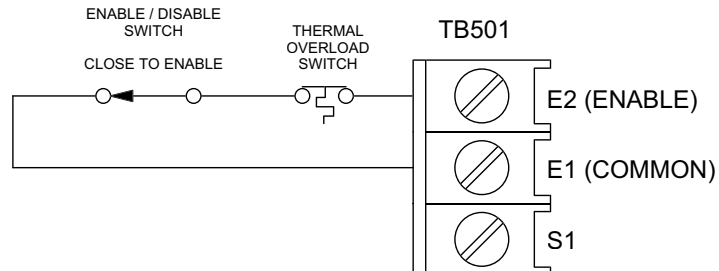


Figure 21. Thermal Overload Switch with Optional Enable / Disable Switch

Line starting and line stopping



Warning

Danaher Motion strongly recommends the installation of a master power switch in the voltage input line (see **Power and Fuse connections, page 16**). The switch contacts should be rated at a minimum of 200% of motor nameplate current and 250 volts.

Line starting/stopping (applying and removing AC voltage input) may be used by setting the drive to Automatic Restart as shown in Table 2. Automatic Restart allows the drive to run the motor when AC power is first applied. When JMP503 and JMP507 are set for Automatic Restart (factory set for Manual Restart), the drive will stop when an undervoltage (bus drops below 200 VDC), occurs. This can occur due to line sag, line transients, or line disconnect. A timer (1.5 seconds), is started which allows an automatic restart if the bus voltage has returned to proper operational potential.

The Under Voltage Trip (Table 2) setting causes the drive to stop and latch off when an under voltage condition (bus voltage drops below 200 VDC), occurs. This can occur due to line sag, line transients, or line disconnect. The drive may then be restarted by cycling the ENABLE off then on, or waiting until the DC bus drops to zero, (approximately 1 minute), at which point the drive will restart upon reapplication of line power.

Manual Restart (Table 2) is similar to the Under Voltage Trip except that the only way to restart the drive is to cycle the ENABLE input. Refer to Figure 6 and 7 (pages 6 and 7) for Jumper Locations.

UV JMP503

		UV JMP503	
		Pins 1-2 or "Trip"	Pins 2-3 or "Restart"
RESTART JMP507	Pins 1-2 "Manual"	Manual Restart	Not Recommended
	Pins 2-3 "Auto"	Under Voltage Trip	Automatic Restart

Table 2. Trip or Restart Mode Chart

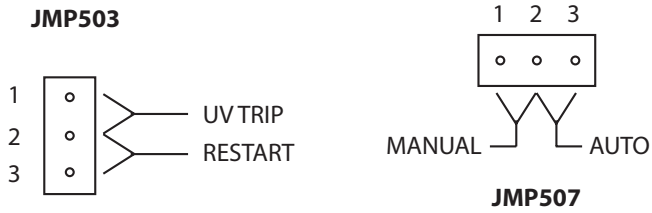


Figure 22. Jumper Settings--JMP503, JMP507

Calibration



Warning



Dangerous voltages exist on the drive when it is powered, and up to 60 seconds after power is removed and the motor stops. When possible, disconnect the voltage input from the drive before adjusting the trimpots. If the trimpots must be adjusted with power applied, use insulated tools and the appropriate personal protection equipment. **BE ALERT.** High voltages can cause serious or fatal injury.

The BVFD series has ten user-adjustable trimpots. Each drive is factory calibrated to its maximum horsepower rating. Re-adjust the calibration trimpot settings to accommodate lower horsepower motors. See Figures 23 and 24 (pages 36 and 37) for BVFD series trimpot locations.

All adjustments increase with clockwise (CW) rotation and decrease with counter-clockwise (CCW) rotation. Use a non-metallic screwdriver for calibration. Each trimpot is identified on the printed circuit board.

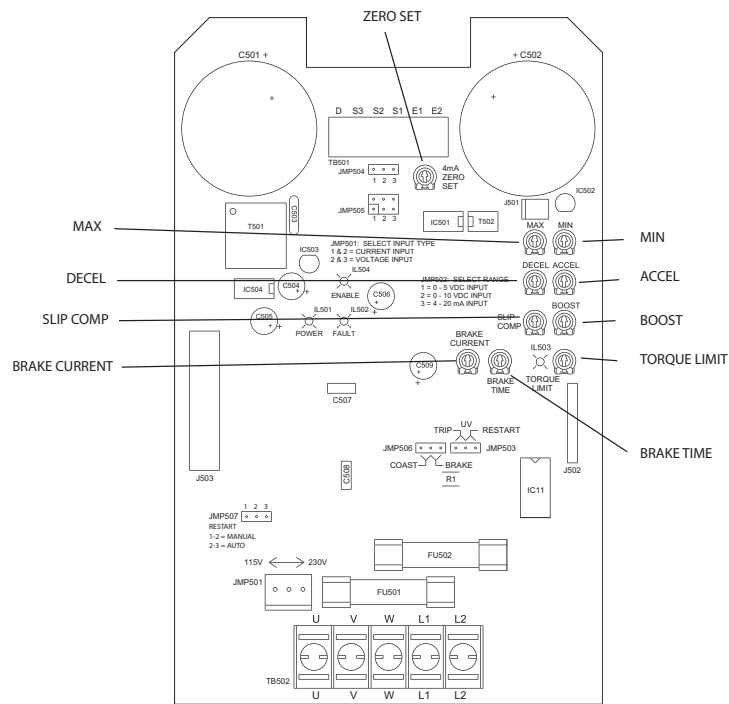


Figure 23. BVFD163 and BVFD163WD Calibration Trimpot Locations

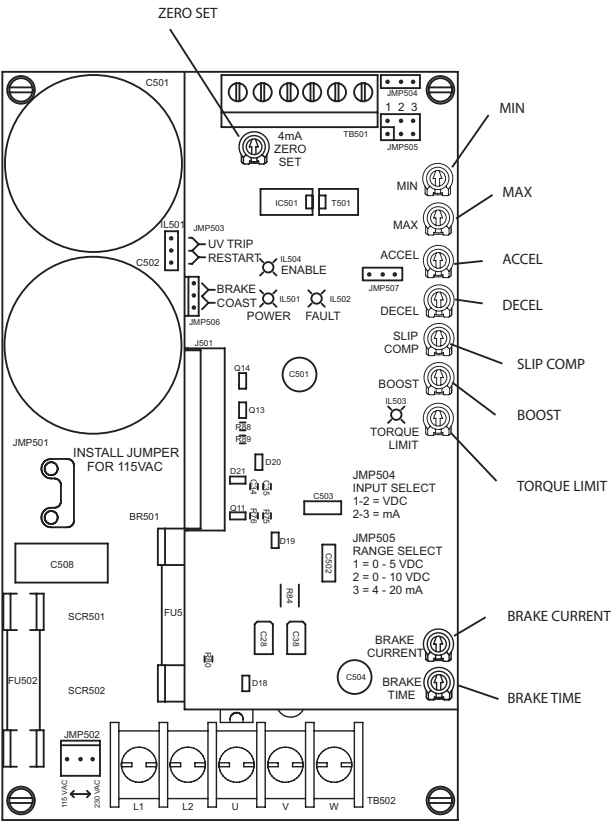


Figure 24. BVFD161 Calibration Trimpot Locations

Calibration Procedure Setup for 60 Hz Motors:

1. Set JMP501 & JMP502** to appropriate input voltage setting (115/230VAC). Refer to Figures 6 and 7 (pages 6 and 7) for Jumper Locations.
2. Set the ENABLE switch to the DISABLE (open) position. If no switch is installed, remove the jumper between the (E2) and (E1) terminals of TB501.
3. Set the DIRECTION switch to the FWD (open) position. If no switch is installed, confirm that there is no jumper between the (D) and (E1) terminals of TB501.
4. Set all trimpots except TQ LIMIT and MAX fully counterclockwise (CCW).
5. Set the TQ LIMIT trimpot to maximum (full CW).
6. Set the MAX trimpot to the 50% position.
7. Set the speed adjust potentiometer or reference signal to zero (full CCW):
8. Calibrate the trimmer pots as follows:

**JMP502 is not present on BVFD163/163WD models.

MAXIMUM SPEED (MAX SPD)

Rotate the speed adjust potentiometer full CW or set the reference signal to MAX. Using a hand-held tachometer or analog frequency meter as a reference, adjust the MAX trimpot until the desired maximum speed or frequency is reached.

MINIMUM SPEED (MIN)

Rotate the speed adjust potentiometer CCW or set the signal reference to a minimum. Adjust the MIN trimpot until the motor has stopped (for zero speed setting), or until desired minimum speed has been reached.

TORQUE LIMIT (TQ LIMIT)



Warning

Although the TORQUE LIMIT trimpot can be set up to 150% of the drive nameplate rating, continuous operation beyond the drive nameplate rating may cause damage to the motor and/or drive.

1. With no power applied to the drive, connect a (true RMS) ammeter in series with one of the motor leads.
2. Set the TQ LIMIT trimpot to full CCW.
3. Carefully lock the motor shaft. Ensure that the motor is firmly mounted.
4. Apply line power. The motor should be stopped.
5. Set the speed adjust potentiometer or reference signal to maximum speed. The motor should remain stopped.
6. Slowly rotate the TQ LIMIT trimpot clockwise (CW) until the ammeter reads 120% of maximum motor current.

7. Set the speed adjust potentiometer or reference signal to zero speed.
8. Remove power from the drive.
9. Remove the lock from the motor shaft.
10. Remove the ammeter in series with the motor lead.

ACCELERATION (ACCEL)

1. Set the speed adjust potentiometer or reference signal to zero and wait for the motor to come to a stop (or minimum speed).
2. Set the speed adjust potentiometer or reference signal to maximum speed (full CW) and note the time the motor takes to accelerate to maximum speed.
3. If the acceleration time differs from the desired time, adjust the ACCEL trimpot until the desired time is reached. Rotating the ACCEL trimpot CW increases the acceleration time.

DECELERATION (DECEL)

1. Set the speed adjust potentiometer or reference signal to maximum (full CW) and wait for the motor to reach maximum speed.

-
2. Set the speed adjust potentiometer or reference signal to minimum speed (full CCW) and note the time the motor takes to decelerate to minimum speed.
 3. If the deceleration time differs from the desired time, adjust the DECEL trimpot until the desired time is reached. Rotating the DECEL pot CW increases the deceleration time.

BOOST

The BOOST trimpot is used to increase motor torque at low speeds. The minimum setting is sufficient for most applications and does not need to be adjusted. If the motor stalls or runs erratically at very low speeds (below 10 Hz), the boost trimpot may need adjustment.

1. Run the motor at the lowest continuous frequency/speed required.
2. Monitor the motor phase current (with a true RMS meter) while very slowly turning the BOOST trimpot CW until the motor operates properly, or 100% of the motor nameplate current is reached.

NOTE: Use the absolute minimum amount of BOOST necessary to achieve proper motor operation. Improper use of the BOOST feature may cause motor and/or drive overheating and failure. If proper motion operation cannot be achieved with the above procedure, please contact your Danaher Motion representative.

SLIP COMPENSATION (SLIP COMP)

Slip compensation is used to minimize the normal speed changes occurring in an induction motor from no load to full load conditions.

1. Using the speed adjust potentiometer or reference signal, run the motor at the desired RPM under a no load condition. Measure the RPM with a tachometer.
2. Without changing the speed adjust potentiometer or reference signal, apply a full load to the motor, and bring the motor speed back up using the SLIP COMP pot to the originally measured RPM.
3. These procedures, (1&2), may need to be repeated several times to reach the desired accuracy required.**

**Wide speed range accuracy of the slip compensation method depends heavily on motor slip vs. frequency characteristics.

Calibration Procedure Conclusion

1. Set the speed adjust potentiometer or reference signal to zero (full CCW).
2. Disable the drive by opening the ENABLE/DISABLE switch or removing the jumper from TB501 (E2) and (E1) terminals.
3. Remove power to the motor and drive. Calibration is now complete.

Application Notes

Independent adjustable speeds with DIR switch

Replace the speed adjust potentiometer with two single-pole multi-position switches, and two or more potentiometers in parallel, with a total parallel resistance of 10K ohms. Figure 25 below shows the connection of two independent speed adjust potentiometers that can be mounted at two separate operating stations.

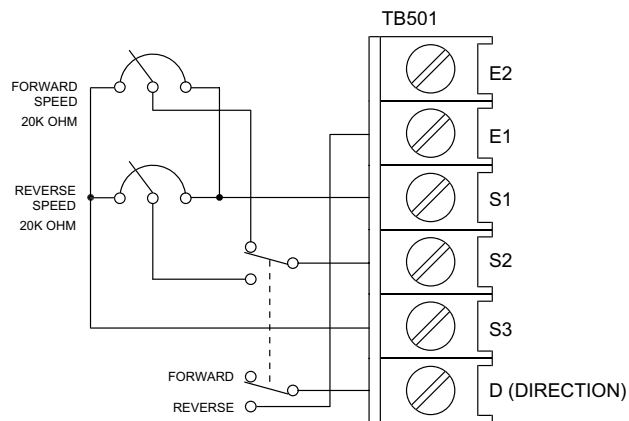


Figure 25. Independent Adjustable Speeds

RUN/JOG switch

Using a RUN/JOG switch is recommended in applications where quick stopping is not needed and frequent jogging is required. Use a single-pole, two-position switch for the RUN/JOG switch, and a single-pole, normally open, momentary operated pushbutton for the JOG pushbutton.

Connect the RUN/JOG switch and JOG pushbutton to terminal board TB501 as shown in Figure 26 below. The motor stops when the RUN/JOG switch is set to JOG. Press the JOG pushbutton to jog the motor. Return the RUN/JOG switch to RUN for normal operation.

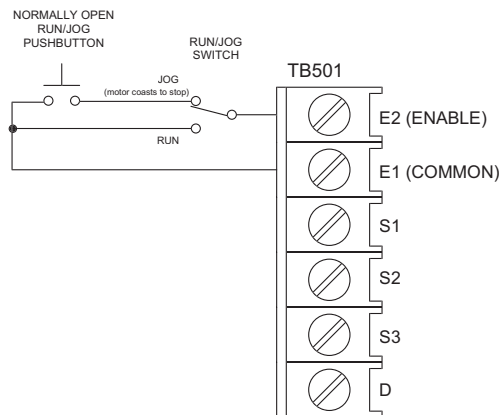


Figure 26. RUN/JOG Switch

Single speed potentiometer control of multiple motors



Warning

The combined current draw of all motors must not exceed the current rating of the drive.

The BVFD series of controls is capable of operating up to eight 3-phase motors simultaneously. All motors must be of the same type and must control similar loads. Connect each motor as shown in Figure 27 below.

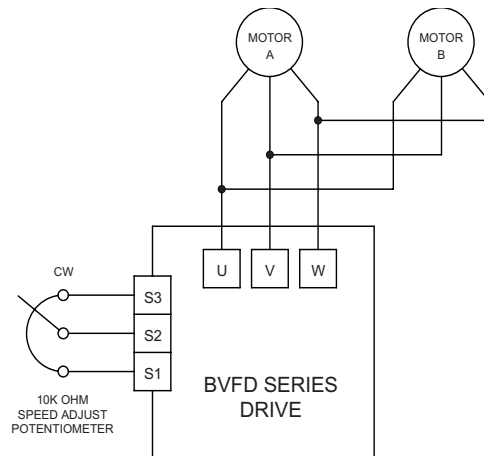


Figure 27. Single Speed Potentiometer Control of Multiple Motors

Quick Reversing

To reverse the direction of motor shaft rotation, install a DPDT center off switch as shown in Figure 28 below. The drive will stop the motor before reversing, so there is no need to wait for the motor to coast to a stop before changing direction. JMP506 must be set to brake. Refer to Figures 6 and 7 (pages 6 and 7) for Jumper Locations.

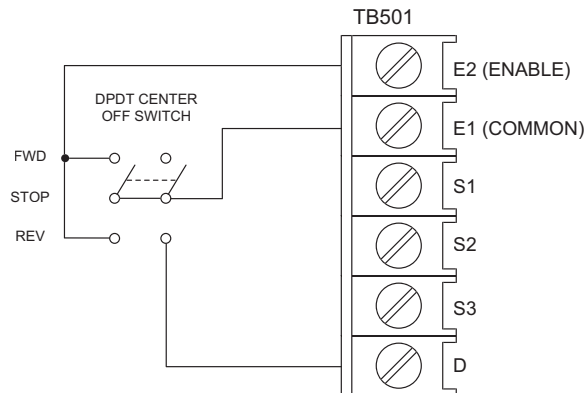


Figure 28. BVFD Quick Reversing

Troubleshooting



Warning



Dangerous voltages exist on the drive when it is powered, and up to 60 seconds after power is removed and the motor stops. When possible, disconnect the voltage input from the drive while troubleshooting. **BE ALERT.** High voltages can cause serious or fatal injury.

Before troubleshooting

Perform the following steps before starting any procedure in this section:

- Disconnect AC voltage input from the drive. Wait 60 seconds for power to discharge. The green POWER LED will blink while power is discharging.
- Check the drive closely for damaged components.
- Check that no wire, chips, or other foreign material has become lodged on the printed circuit board.
- Verify that every connection is correct and in good condition.

- Verify that there are no short circuits or grounded connections.
- Check that the drive's rated phase current and RMS voltage are consistent with the motor ratings.

For additional assistance, contact your local Danaher Motion distributor, or the factory direct by telephone at:

1-540-633-3400

Diagnostic LEDs

SECO BVFD Series drives are equipped with diagnostic LED's to assist the user in troubleshooting and monitoring equipment status while in use. Refer to Figures 29 and 30 (page 50 and 51) for diagnostic LED locations.

POWER LED

The green POWER LED is on when AC line voltage is applied and the control's low-voltage power supply is operational.

ENABLE LED

The red ENABLE LED turns on whenever the inverter output is enabled.

FAULT LED

The red FAULT LED blinks on and off when the drive output is locked out or not ENABLED and any one of the following fault conditions occur:

1. Overvoltage
 - BVFD 230AC controls: DC bus exceeds 400 VDC
2. Undervoltage
 - BVFD 230AC controls: DC bus drops below 200 VDC
3. Instantaneous Overcurrent Trip - Inverter output current has exceeded safe levels (250%).

Note: The FAULT condition must be reset using the ENABLE function of the BVFD (opening and closing the ENABLE input).

TORQUE (TQ) LIMIT LED

The yellow TQ LIMIT LED is on when the drive output current exceeds the threshold set by the TQ LIMIT trimpot. When the TQ LIMIT LED turns on, shut down the motor and drive by disabling or removing power. Check the motor to make sure it is not jammed or overloaded. The TQ LIMIT trimpot may need to be recalibrated. See the Calibration section (page 35) for information on calibrating the TQ LIMIT trimpot.

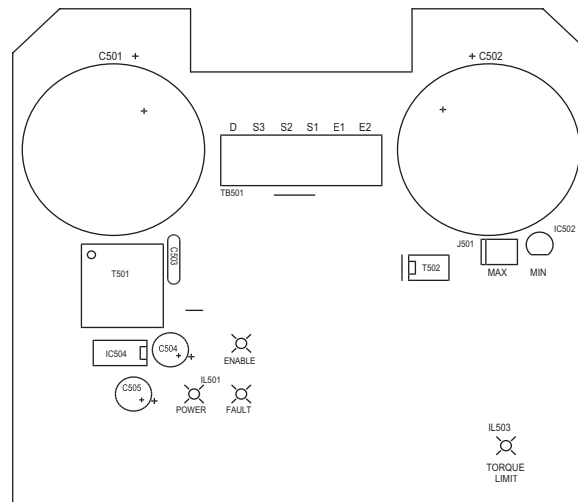


Figure 29. BVFD163 and BVFD163WD LED locations

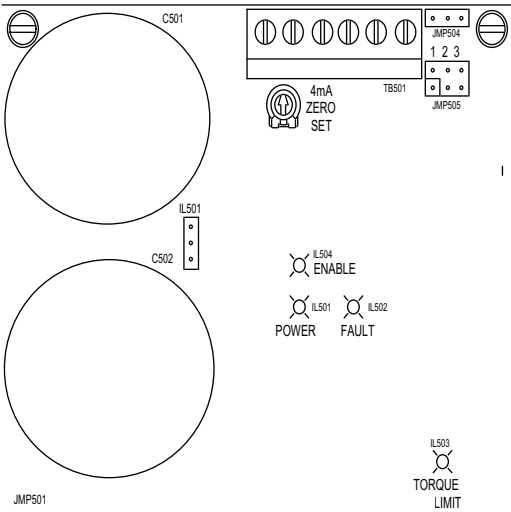


Figure 30. BVFD161 LED locations

Problem	Possible Cause	Suggested Solution
Internal line fuse blows	<ol style="list-style-type: none"> 1. Line fuses are the wrong size. 2. Motor or motor cable is shorted to ground. 3. Nuisance tripping caused by a combination of ambient conditions and high-current spikes (i.e. reversing). 	<ol style="list-style-type: none"> 1. Check that line fuses are properly sized for the motor being used. 2. Check motor cable and motor for shorts. 3. Add a blower to cool the drive components; increase TQ LIMIT settings (page 39).
Internal line fuse does not blow, but the motor does not run	<ol style="list-style-type: none"> 1. Speed adjust potentiometer or voltage input signal is set to zero speed. 2. Speed adjust potentiometer or voltage input signal is not properly connected to drive input; connections are open. 	<ol style="list-style-type: none"> 1. Increase the speed adjust potentiometer setting or voltage input signal. 2. Check connections to input. Verify that connections are not open.

Problem	Possible Cause	Suggested Solution
Internal line fuse does not blow, but the motor does not run (cont.)	<ul style="list-style-type: none"> 3. Drive is "tripped" off or has gone into thermal overload. 4. Drive has been disabled. 5. Drive is in current limit. 6. Drive is not receiving AC voltage input. 7. Motor is not connected. 	<ul style="list-style-type: none"> 3. Disable, then re-enable the drive. 4. Ensure that ENABLE (EN) and COM terminals are properly connected. 5. Verify that motor is not jammed. Increase TQLIM setting if it is set too low (page 39). 6. Apply AC line voltage to L1 and L2. 7. Connect motor to drive outputs U, V and W.
Motor runs too slow or too fast at set speed	<ul style="list-style-type: none"> 1. MAX SPD trimpot is not calibrated correctly. 	<ul style="list-style-type: none"> 1. Calibrate MAX SPD trimpot (page 38).

Problem	Possible Cause	Suggested Solution
Motor will not reach the desired speed	<ol style="list-style-type: none"> 1. MAX SPD setting is too low. 2. Nominal input voltage may be too low for motor 3. Motor is overloaded. 	<ol style="list-style-type: none"> 1. Increase MAX SPD setting (page 38). 2. Compare motor voltage to input voltage; replace motor if necessary 3. Check motor load. Resize the motor or drive if necessary.
Motor pulsates or surges under load	<ol style="list-style-type: none"> 1. Motor "bouncing" in and out of torque limit. 	<ol style="list-style-type: none"> 1. Make sure motor is not undersized for load; adjust TQ LIM setting CW (page 39).
Motor does not reverse	<ol style="list-style-type: none"> 1. Defective DIRECTION switch connection. 2. Reversing circuit not working properly. 3. Motor not wired correctly for reverse 	<ol style="list-style-type: none"> 1. Check DIRECTION switch connection. 2. Check reversing circuit by shorting TB501 (D) terminal to (E1) terminal with jumper wire. 3. Check motor wiring Review motor connections section

Problem	Possible Cause	Suggested Solution
TQ is unsatisfactory at high speeds.	<ol style="list-style-type: none"><li data-bbox="716 737 928 764">1. TQ LIMIT set too low.<li data-bbox="716 810 919 858">2. Load may exceed rating of motor/drive.<li data-bbox="716 1024 927 1094">3. Nominal input voltage may be too low for motor.	<ol style="list-style-type: none"><li data-bbox="954 737 1128 785">1. Check TQ LIM setting (page 39).<li data-bbox="954 810 1140 999">2. "Fix" load (i.e., straighten mounting, coupling, etc.); or replace motor and drive with motor and drive rated for higher horsepower.<li data-bbox="954 1024 1140 1115">3. Compare motor voltage to input voltage. Replace motor if necessary.

Optional Capacitor Kit (p/n: 202-0108)

In some applications, lowering carrier frequency reduces switching losses and increases bearing life in some motors. Danaher Motion provides an optional capacitor kit for lowering the carrier frequency.

The default carrier frequency on BVFD controls is 16kHz. Using one of the capacitors supplied in the kit, the carrier frequency can be lowered to a range of 12kHz to 4kHz.
Note: Audible noise will increase when the carrier frequency is lowered.

To lower the carrier frequency on all BVFD controls, install one of the following 2-pin capacitors on the board:

LABEL ON CAPACITOR	FREQUENCY	VALUE
3n3J	12kHz	0.0033uF
6n8	10kHz	0.0068uF
10n	8kHz	0.01uF
33n	4kHz	0.033uF

See Figures 31 and 32 for Capacitor locations and installation instructions

Insert the 2-pins of the carrier frequency capacitor into the 2 socket holes (C503) located on board.

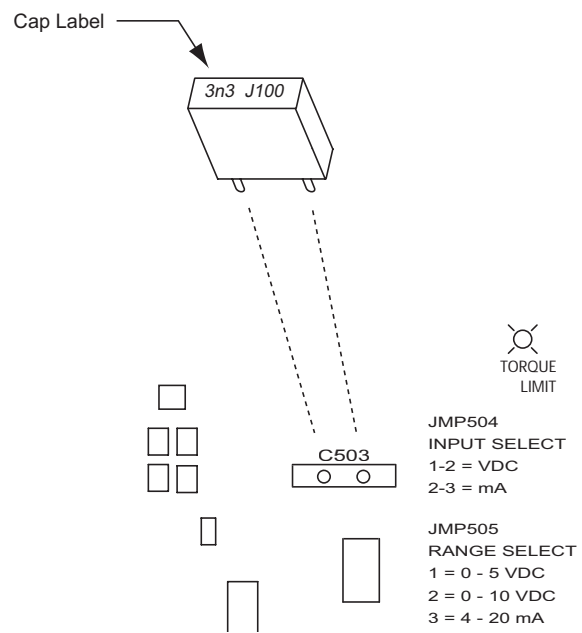


Figure 31. BVFD161 Carrier frequency capacitor location

Insert the 2-pins of the carrier frequency capacitor into the 2 socket holes (C507) located on board.

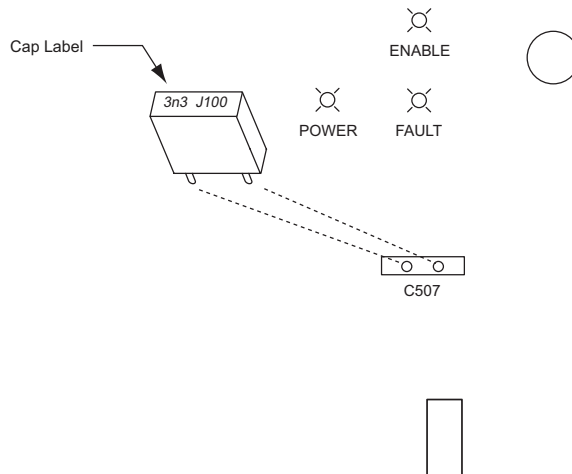


Figure 32. BVFD163 and BVFD163WD Carrier frequency capacitor location

Sales and Service

Danaher Motion products are available world-wide through an extensive authorized distributor network. These distributors offer literature, technical assistance and wide range of models off the shelf for fastest possible delivery.

Danaher Motion sales engineers are conveniently located to provide prompt attention to customers' needs. Call the office listed for ordering and application information or for the address of the closest authorized distributor.

Danaher Motion
203A W. Rock Rd.
Radford, VA 24141

Website: www.danahermotion.com
Email: DMAC@danahermotion.com
Phone: (540) 633-3400
Fax: (540) 639-4162

DANAHER MOTION is a registered trademark of Danaher Corporation. Danaher Motion makes every attempt to ensure accuracy and reliability of the specifications in this publication. Specifications are subject to change without notice. Danaher Motion provides this information "AS IS" and disclaims all warranties, express or implied, including, but not limited to, implied warranties of merchantability and fitness for a particular purpose. It is the responsibility of the product user to determine the suitability of this product for a specific application. © 2006 Danaher Motion.

Seco
AC/DC Drives

 **DANAHER**
MOTION *Solutions by*