

MKD[®]-C, MKD[®]-N

Product Safety Guide



Edition: D, February 2020

Valid for MKD-C, Hardware Revision B

Valid for MKD-N, Hardware Revision B

Part Number 904-200024-99



English



Deutsch



Français



Italiano



Português



Español



Русский

Original language is English. All other content is translated from the genuine English content.



For safe and proper use, follow these instructions. Keep for future use.



Functional
Safety
Type
Approved

www.tuv.com
ID 060000000



KOLLMORGEN

Because Motion Matters™

Record of Document Revisions

Revision	Remarks
...	Table with lifecycle information of this document see (→ # 156)
B, 07/2019	Multilanguage, connectors male-female corrected, MKD-C-CA added, RoHS statement, UL completed, STO certified, noise emission, X25 poles and pitch, X23 sense changed to Up, faults/warnings updated, fusing updated
C, 09/2019	Used Standards removed, Faults/Warnings removed by link to other documents, electrical data completed, 42kA rating, UL markings updated
D, 02/2020	Thermal dissipation and efficiency factor added

Contents

 Product Safety Guide English (→ # 3)	 Product Safety Guide Português (→ # 75)
 Product Safety Guide Deutsch (→ # 21)	 Product Safety Guide Español (→ # 93)
 Product Safety Guide Français (→ # 39)	 Product Safety Guide Русский (→ # 111)
 Product Safety Guide Italiano (→ # 57)	
Appendix/Electrical Data (→ # 131)	Appendix/Connections (→ # 135)
Appendix/Mechanical Data (→ # 133)	Appendix/Approvals (→ # 152)

Hardware Revision (HR)

MKD-N	MKD-C	Firmware	WorkBench	Remarks
A	A	from 1.18	from 1.18	MKD-C-NA and MKD-N start revisions
B	B	from 1.18	from 2.1	MKD-C and MKD-N full product range, X25 with 3 poles, SBC support, SuperCAP support

Technical changes which improve the performance of the device may be made without prior notice!

This document is the intellectual property of Kollmorgen. All rights reserved. No part of this work may be reproduced in any form (by photocopying, microfilm or any other method) or stored, processed, copied or distributed by electronic means without the written permission of Kollmorgen.

Technische Änderungen zur Verbesserung der Leistung der Geräte ohne vorherige Ankündigung vorbehalten.

Dieses Dokument ist geistiges Eigentum von Kollmorgen. Alle Rechte vorbehalten. Kein Teil dieses Werkes darf in irgendeiner Form (Fotokopie, Mikrofilm oder in einem anderen Verfahren) ohne schriftliche Genehmigung von Kollmorgen reproduziert oder elektronisch verarbeitet, vervielfältigt oder verbreitet werden.

Sous réserve de modifications techniques apportés en vue d'amélioration des appareils!

Ce document est la propriété intellectuelle de Kollmorgen. Tous droits réservés. Sans autorisation écrite de l'entreprise Kollmorgen, aucune partie de cet ouvrage n'a le droit d'être ni reproduite par des moyens quelconques (impression, photocopie, microfilm ou autre procédure) ni traitée, polycopiée ou distribuée électronique.

Il produttore si riserva la facoltà di apportare modifiche tecniche volte al miglioramento degli apparecchi

Questo documento è la proprietà intellettuale di Kollmorgen. Tutti i diritti riservati. Nessuna parte del documento può essere riprodotta in qualsiasi forma (fotocopia, microfilm o altro processo) senza l'approvazione scritta della ditta Kollmorgen o rielaborata, riprodotta o diffusa mediante l'uso di sistemi elettronici.

Alterações técnicas que melhoram o desempenho do dispositivo podem ser feitos sem aviso prévio!

Este documento é uma propriedade intelectual da Kollmorgen. Todos os direitos reservados. Nenhuma parte deste trabalho pode ser reproduzida sob qualquer forma (por fotocópia, microfilme ou qualquer outro método) ou armazenado, processado, copiado ou distribuído por meios eletrônicos sem a permissão escrita da Kollmorgen.

Los cambios técnicos que mejoran el rendimiento del dispositivo pueden llevarse a cabo sin aviso previo.

Este documento es propiedad intelectual de Kollmorgen. Todos los derechos reservados. Ninguna parte de esta obra, bajo concepto alguno, podrá reproducirse (por fotocopia, microfilm ni ningún otro método) ni almacenarse, procesarse, copiarse ni distribuirse por medios electrónicos sin el permiso por escrito de Kollmorgen.

Сохраняется право внесения технических изменений с целью усовершенствования приборов!

Настоящий документ является интеллектуальной собственностью Kollmorgen. Все права защищены. Воспроизведение любой части данного издания в любой форме (фотокопия, микрофильм или иной метод) или редактирование, размножение или распространение с помощью электронных систем без письменного разрешения компании Kollmorgen запрещаются.

1 English

1.1 General	4
1.1.1 Notes for the Printed Edition (paper version)	4
1.1.2 Symbols Used	5
1.2 Product Safety	6
1.2.1 You should pay attention to this	6
1.2.2 Use as Directed	8
1.2.3 Prohibited Use	9
1.2.4 Warning note labels	9
1.3 Product life cycle handling	10
1.3.1 Transport	10
1.3.2 Packaging	10
1.3.3 Storage	10
1.3.4 Installation, setup and normal operation	11
1.3.5 Decommissioning	11
1.3.6 Maintenance and cleaning	11
1.3.7 Disassembly	11
1.3.8 System Repair	12
1.3.9 Disposal	12
1.4 Technical description and general data	13
1.4.1 Package Supplied	13
1.4.2 Part Number Scheme	14
1.4.3 Mechanical Data	14
1.4.4 Electrical Data	14
1.4.5 Ambient Conditions in normal operation	15
1.4.6 System limits	15
1.5 Safe Torque Off (STO)	16
1.6 Mechanical Installation	17
1.6.1 Important Notes	17
1.6.2 Guide to Mechanical Installation	17
1.7 Electrical Installation	18
1.7.1 Important Notes	18
1.7.2 Guide to electrical installation	18
1.8 Setup	19
1.8.1 Important Notes	19
1.8.2 Initial System Test	20
1.9 Troubleshooting the MKD System	20

1.1 General

This manual, the *MKD-C/N Product Safety Guide*, presents the relevant information for safe installation and setup of MKD drive system modules MKD-C power supply and MKD-N servo drive.

NOTE

For full information refer to the *MKD-C/N Installation Manual*, to the *AKD-N Installation Manual* and additional Kollmorgen documents.

MKD information for use consist of:

- *Installation Manual*: This document describes the MKD modules and includes information needed to safely install an MKD system.
- *WorkBench Online Help*: describes how to use the system in common applications. It also provides tips for maximizing your system performance. The *Online Help* includes the *Parameter and Command Reference Guide* which provides documentation for the parameters and commands used to program the system.
- *EtherCAT Communication*: describes how to use the system in EtherCAT applications.

These documents can be found on the DVD in the drive package. All documents can be downloaded from the [Kollmorgen Developer Network](#).









1.1.1 Notes for the Printed Edition (paper version)

A printed version of the manual is enclosed with each product. For environmental reasons, the document was reduced in size and printed on DIN A5.

NOTE

Should you experience difficulties reading the font size of the scaled-down printed version, you can print and use the PDF version in DIN A4 format 1:1. You can find the PDF version on the DVD accompanying the product and on the Kollmorgen website.

1.1.2 Symbols Used

Symbol	Indication
 DANGER	Indicates a hazardous situation which, if not avoided, will result in death or serious injury.
 WARNING	Indicates a hazardous situation which, if not avoided, could result in death or serious injury.
 CAUTION	Indicates a hazardous situation which, if not avoided, could result in minor or moderate injury.
NOTICE	Indicates situations which, if not avoided, could result in property damage.
NOTE	This symbol indicates important notes.
	Warning of a danger (general). The type of danger is specified by the text next to the symbol.
	Warning of danger from electricity and its effects.
	Warning of danger from hot surface.
	Warning of danger from suspended loads.
	Warning of danger from automatic start.

1.2 Product Safety

1.2.1 You should pay attention to this

Specialist staff required!

Only properly qualified personnel are permitted to perform such tasks as transport, installation and setup. Qualified specialist staff are persons with expertise in transport, installation, assembly, commissioning and operation of electrotechnical equipment.

- Transport, storage, unpacking: only by personnel with knowledge of handling electrostatically sensitive components.
- Mechanical installation: only by personnel with mechanical expertise.
- Electrical installation: only by personnel with expertise in electrical engineering.
- Basic tests / setup: only by personnel with expertise in electrical engineering and drive technology.

The qualified personnel must know and observe ISO 12100 / IEC 60364 / IEC 60664 and national accident prevention regulations.

Read the documentation!

Read the available documentation before installation and commissioning. Improper handling of the devices can cause harm to people or damage to property. The operator of systems using the drive system must ensure that all personnel who work with the drive read and understand the manual before using the drive.

Check Hardware Revision!

Check the Hardware Revision Number of the product (see product label). Hardware Revision Number of MKD-C and MKD-N can differ from each other. This number is the link between your product and the manual. The product Hardware Revision Number must match the Hardware Revision Number on the cover page of the manual.

Pay attention to the technical data!

Adhere to the technical data and the specifications on connection conditions. If permissible voltage values or current values are exceeded, the devices can be damaged. Unsuitable motor or wrong wiring will damage the system components. Check the combination of drive and motor. Compare the rated voltage and current of the units.

Perform a risk assessment!

The manufacturer of the machine must generate a risk assessment for the machine, and take appropriate measures to ensure that unforeseen movements cannot cause injury or damage to any person or property. Additional requirements on specialist staff may also result from the risk assessment.

The manufacturer should define periodic checks of the electrical components and application.

Automatic Restart!

The drive might restart automatically after power on, voltage dip or interruption of the supply voltage, depending on the parameter setting.

Risk of death or serious injury for humans working in the machine.

If the parameter DRV.ENDEFAULT for one MKD-N is set to 1, then place a warning sign to the machine (Warning: Automatic Restart at Power On) and ensure, that power on is not possible, while humans are in a dangerous zone of the machine. In case of using an under-voltage protection device, you must observe EN 60204-1:2006 chapter 7.5 .



Observe electrostatically sensitive components!

The devices contain electrostatically sensitive components which may be damaged by incorrect handling. Electrostatically discharge your body before touching the device. Avoid contact with highly insulating materials (artificial fabrics, plastic film etc.). Place the device on a conductive surface.

Hot surface!

Drives may have hot surfaces during operation. The housing can reach temperatures above 80°C. Risk of minor burns! Measure the temperature, and wait until the housing has cooled down below 40 °C before touching it.

Earthing!

It is vital that you ensure that the drive is safely earthed to the PE (protective earth) busbar in the switch cabinet. Risk of electric shock. Without low-resistance earthing no personal protection can be guaranteed.

Leakage Current!

Since the leakage current to PE is more than 3.5 mA, in compliance with IEC61800-5-1 the PE connection must either be doubled or a connecting cable with a cross-section >10 mm² must be used. Deviating measures according to regional standards might be possible.

Residual current protective or monitoring devices!

MKD-C with MKD-N can cause a d.c. current in the protective earthing conductor. Where a residual current-operated protective (RCD) or monitoring (RCM) device is used for protection in case of direct or indirect contact, only an RCD or RCM of Type B is allowed on the supply side of MKD-C.

Lethal voltages!

The equipment produces high electric voltages up to 900V. Lethal danger exists at live parts of the device. Do not open or touch the equipment during operation. Keep the IP 54 cabinet doors closed during operation. Built-in protection measures such as insulation or shielding may not be removed. Work on the electrical installation may only be performed with switched off mains supply, and secured against restart.

Never undo any electrical connections to the MKD while it is live. There is a danger of electrical arcing with damage to contacts and personal injury. Wait at least 5 minutes after disconnecting the product from the supply voltages before touching potentially live sections of the equipment or removing any connections.

Ensure the MKD-N DC-Bus link cover is installed on the last MKD-N before switching on mains power.

High noise pollution!

Fans generate noise of up to 90 dBA when operating at maximum load. This can lead to damage to the hearing. Keep the cabinet doors closed during operation. Use ear protection if the control cabinet has to be opened during normal operation. The operator must provide ear protection and monitor its use depending on the daily noise exposure level determined.

Functional Safety!

The STO safety implementation on the MKD is certified. The brake interruption input can be used to realize an SBC function. The assessment of the safety functions according to EN13849 or EN 62061 must finally be done by the user.

Never modify the drive!

It is not allowed to modify the drive hardware without permission by the manufacturer. Opening the housing causes loss of warranty.

1.2.2 Use as Directed

The MKD-C series power supplies are exclusively intended for operating MKD-N servo drive modules within a cabinet and AKD-N decentralized servo drives.

The MKD-N family of servo drives is exclusively intended for driving suitable synchronous servomotors with closed-loop control of torque, speed, and/or position.

MKD system modules are components that are built into electrical plants or machines and can only be operated as integral components of these plants or machines. The manufacturer of the machine must generate a risk assessment for the machine. The drive must not be used until it has been established that the machine or plant fulfills the requirements of the regional directives.

Kollmorgen multi axes drive system

MKD must only be operated in a motion system with components from Kollmorgen. Required additional Kollmorgen components are the mains chokes, hybrid string cables, hybrid motor cables, motor power and feedback cables, servomotors.

Assembling

MKD modules must only be operated in environments suitable for the ambient conditions defined on (→ # 15).

Wiring

Use only Kollmorgen cables for connecting the system components.

Power supply

MKD-C must be powered from a 3 phase industrial supply network (not more than 42 kA symmetrical rated current at 400 V and 480 V) via a mains choke 3L.

MKD-N drive modules must be powered from MKD-C intelligent power supply modules with DC voltage from 55 VDC up to 800 VDC.

Fusing

The devices must be operated with fuse protection against power overload.

Motor voltage rating

The rated voltage of the motors must be at least as high as the DC bus link voltage divided by $\sqrt{2}$ produced by the drive ($U_{nMotor} \geq U_{DC} / \sqrt{2}$).

For the cases of group installations and of DC powered drives

NOTICE

MKD-C has not been evaluated by Kollmorgen, UL, or TÜV for group installations nor are ratings defined for DC input voltage.

Auxiliary voltage supply, Standby power

Standby power for the drive strings must only be used for supplying the MKD-N electronics. 24 VDC supply unit must accord to PELV (EN 60204-1) requirements.

Safe torque off

Review the section "Use as Directed" in the STO chapter (→ # 16) before using this safety function. 24 VDC supply unit for global STO supply must accord to PELV (EN 60204-1) requirements.

1.2.3 Prohibited Use

Other use than that described in chapter “Use as directed” is not intended and can lead to personnel injuries and equipment damage.

The system may not be used

- with a machine that does not comply with appropriate national directives or standards,
- for driving elevators,
- in applications with continuous, operational short circuits to the external regen resistor contacts.
- in applications with any short circuits to the DC-Bus link contacts.

The use of the device in the following environments is also prohibited:

- potentially explosive areas
- environments with corrosive and/or electrically conductive acids, alkaline solutions, oils, vapors, dusts
- ships or offshore applications



Wiring the system with hybrid cables from other manufacturers than Kollmorgen is not allowed. Changing Kollmorgen cables or connectors is not allowed.

1.2.4 Warning note labels

NOTICE

If these signs are damaged, they must be replaced immediately.

1.2.4.1 Notes placed on the product

 <p>The minimum size of the protective earthing conductor shall comply with the local safety regulations for high protective earthing conductor current.</p>	 <p>Residual Voltage Wait 5 minutes after removing power before servicing.</p>
---	--

In a system with supercapacitors, the waiting time for servicing can increase. Based on the risk assessment, the user must attach additional warning labels in the control cabinet.

1.3 Product life cycle handling

1.3.1 Transport

Transport the MKD modules in accordance with IEC 61800-2 as follows:

- Transport only by qualified personnel in the manufacturer’s original recyclable packaging.
- Avoid shocks while transporting.
- Vibration/Shock: the modules are tested for environmental class 3M1 of IEC 60721-3-2.
- Store at or below maximum stacking height of 8 cartons
- Transport only within specified temperature ranges:
-25 to +70 °C, max. rate of change 20 K/hour, class 2K3.
- Transport only within specified humidity:
maximum 95% relative humidity, no condensation, class 2K3.

NOTICE

The devices contain electrostatically sensitive components that can be damaged by incorrect handling. Electrostatically discharge yourself before touching the device. Avoid contact with highly insulating materials, such as artificial fabrics and plastic films. Place the device on a conductive surface.

If the packaging is damaged, check the unit for visible damage. Inform the shipper and the manufacturer of any damage to the package or product.

1.3.2 Packaging

The MKD packaging consists of recyclable cardboard with inserts and a label on the outside of the box.

Model	Package Dimensions (mm) HxWxL	Total Weight (kg)
MKD-C003007-NA	580 x 350 x 170	22.5
MKD-C001007-CA	580 x 350 x 170	22.5
MKD-N060007, MKD-N060607, MKD-N120007, MKD-N120607, MKD-N121207	580 x 350 x 110	8.5
MKD-N240007	580 x 350 x 110	9.5
MKD-N480007	580 x 350 x 140	11.5

1.3.3 Storage

Store the MKD modules in accordance with IEC 61800-2 as follows:

- Store only in the manufacturer’s original recyclable packaging.
- Store at or below maximum stacking height of 8 cartons
- Store only within specified temperature ranges:
-25 to +55 °C, max. rate of change 20 K/hour, class 1K4.
- Storage only within specified humidity:
5 to 95% relative humidity, no condensation, class 1K3.
- Store the MKD in accordance with the following duration requirements:
 - Less than 1 year: without restriction.
 - More than 1 year: capacitors in the MKD-C must be re-formed before setting up and operating the system. Re-forming procedures are described in the Kollmorgen Developer Network ([Forming](#)).

1.3.4 Installation, setup and normal operation

Installation and setup information are given in this Guide:

- Mechanical installation (→ # 17)
- Electrical installation (→ # 18)
- Setup (→ # 19)

Normal operation tested for environmental class 3K3 according to IEC 61800-2 (→ # 15). The manufacturer of the machine defines the necessary end user expertise based on the risk assessment for the machine and describes the requirements for normal operation based on the application.

1.3.5 Decommissioning

NOTICE

Only professional staff who are qualified in electrical engineering are allowed to decommission parts of the system.

DANGER: Lethal Voltages!

There is a danger of serious personal injury or death by electrical shock or electrical arcing.

- Switch off the main switch of the switchgear cabinet.
- Secure the system against restarting.
- Block the main switch.
- Wait at least 5 minutes after disconnecting.

1.3.6 Maintenance and cleaning

The device does not require maintenance. Opening the device voids the warranty. The inside of the unit can only be cleaned by the manufacturer.

NOTICE

Do not immerse or spray the device. Avoid that liquid enters the device.

To clean the device exterior:

1. Decommission the device (see chapter 1.3.5 "Decommissioning").
2. Casing: Clean with isopropanol or similar cleaning solution.

Caution : Highly Flammable! Risk of injury by explosion and fire.

- Observe the safety notes given on the cleaning liquid package.
 - Wait at least 30 minutes after cleaning before putting the device back into operation.
3. Protective grill on fan: Clean with a dry brush.

1.3.7 Disassembly

NOTICE

Only professional staff who are qualified in electrical engineering are allowed to disassemble parts of the system.

1. Decommission the device (see chapter 1.3.5 "Decommissioning").
2. Check temperature.

CAUTION: High Temperature! Risk of minor burns. During operation, the heat sink of the drive may reach temperatures above 80 °C (176 °F). Before touching the device, check the temperature and wait until it has cooled below 40 °C (104 °F).

3. Remove the connectors. Disconnect the potential earth connection last.
4. Demount: loosen the fastening screws. Remove the device.

1.3.8 System Repair

NOTICE

Only professional staff who are qualified in electrical engineering are allowed to exchange parts of the drive system.

CAUTION: Automatic Start! During replacement work a combination of hazards and multiple episodes may occur.

- Work on the electrical installation may only be performed by trained and qualified personnel, in compliance with the regulations for safety at work, and only with use of prescribed personal safety equipment.

Exchange of the device

Only the manufacturer can repair the device. Opening the device voids the warranty.

1. Decommission the device (see chapter 1.3.5 "Decommissioning").
2. Demount the device (see chapter 1.3.7 "Disassembly").
3. Send the device to the manufacturer.
4. Install a new device as described in the Installation Manual.
5. Setup the system as described in the Installation Manual.

Exchange of other drive system parts

If parts of the drive system (for example cables) must be replaced, proceed as follows:

1. Decommission the device (see chapter 1.3.5 "Decommissioning").
2. Exchange the parts.
3. Check all connections for correct fastening.
4. Setup the system as described in the Installation Manual.

1.3.9 Disposal

NOTICE

To dispose the unit properly, contact a certified electronic scrap disposal merchant.

In accordance with the WEEE-2012/19/EU guideline and similar, the manufacturer accepts returns of old devices and accessories for professional disposal. Transport costs are the responsibility of the sender.

Contact Kollmorgen and clarify the logistics.

Send the devices in the original packaging to the manufacturer address:

North America KOLLMORGEN 201 West Rock Road Radford, VA 24141, USA	South America KOLLMORGEN Avenida João Paulo Ablas, 2970 Jardim da Glória, Cotia – SP CEP 06711-250, Brazil
Europe KOLLMORGEN Europe GmbH Pempelfurtstr. 1 40880 Ratingen, Germany	Asia KOLLMORGEN Room 302, Building 5, Lihpao Plaza, 88 Shenbin Road, Minhang District, Shanghai, China.

1.4 Technical description and general data

1.4.1 Package Supplied

Available MKD Modules

Variant	Description	Power	Remarks
MKD-C003007-NAEC	Central Power supply	30 kW	Standard
MKD-C001007-CAEC	Central Power supply	10 kW	External Capacitor
MKD-N060007-DSEC	Drive Module	2.5 kW	Single Axis, 6A
MKD-N060607-DSEC	Drive Module	5 kW	Dual Axes, 2 x 6A
MKD-N120007-DSEC	Drive Module	5 kW	Single Axis, 12A
MKD-N120607-DSEC	Drive Module	7.5 kW	Dual Axes, 12A + 6A
MKD-N121207-DSEC	Drive Module	10 kW	Dual Axes, 2 x 12A
MKD-N240007-DSEC	Drive Module	10 kW	Single Axis, 24A
MKD-N480007-DSEC	Drive Module	20 kW	Single Axis, 48A

When a MKD module is ordered, the following items are included in the package:

MKD-C package:

- The ordered module itself
- Printed copy of *MKD Product Safety Guide*
- DVD containing the setup software, WorkBench, and all product documentation in digital format.
- Mating connectors MKD-C: X12, X13, X14, X15, X16, X25
- One MKD-N DC-Bus link cover
- Two connector covers M23 for AKD-N

NOTE

The M23 connector covers are required for protecting X2 of the last AKD-N in the strings.

MKD-N package:

- The ordered module itself
- MKD-N Data Sheet
- Mating connectors MKD-N: X9, X24, X26

Accessories:

Accessories must be ordered separately if required.

Accessories for AKD-N see regional *Accessories Manual* or *AKD-N Installation Manual*.

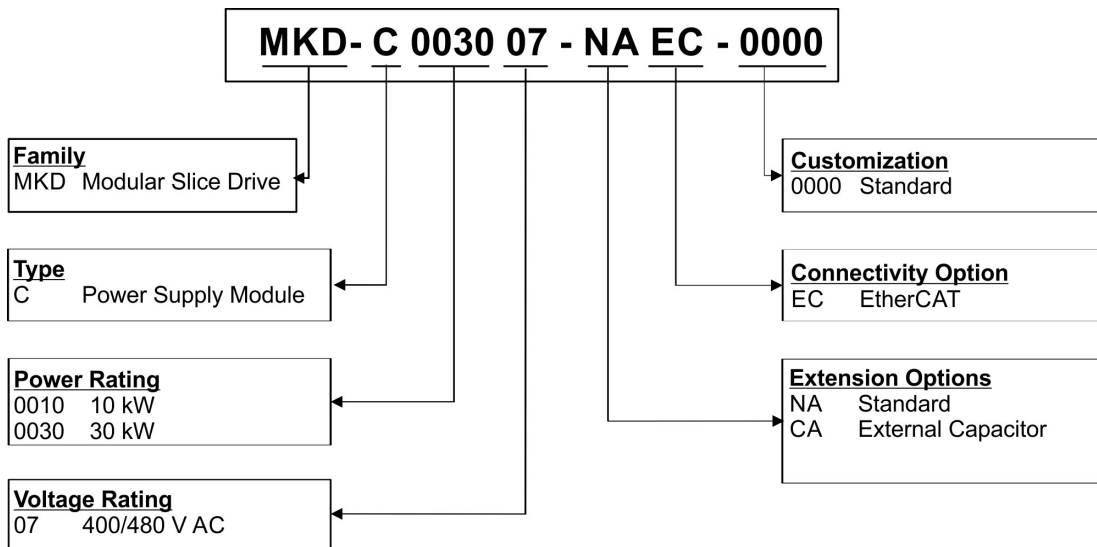
Spare parts

Description	Included Mating Connectors	Order Code
Connector Kit	X12, X13, X14, X15, X16, X25	MKD-C-ConKit
Connector Kit	X9A, X24A, X26A	MKD-N-ConKit Axis A
Connector Kit	X9B, X24B, X26B	MKD-N-ConKit Axis B
Connector 6...12A	X29A (6 pin, shield plate etc.)	CON-MKD-N-06-12-X29A
Connector 6...12A	X29B (6 pin, shield plate etc.)	CON-MKD-N-X29B
Connector 24...48A	X29A (4 pin, shield plate etc.)	CON-MKD-N-24-48-X29A
Connector 24...48A	X30A (2 pin)	CON-MKD-N-X30A

1.4.2 Part Number Scheme

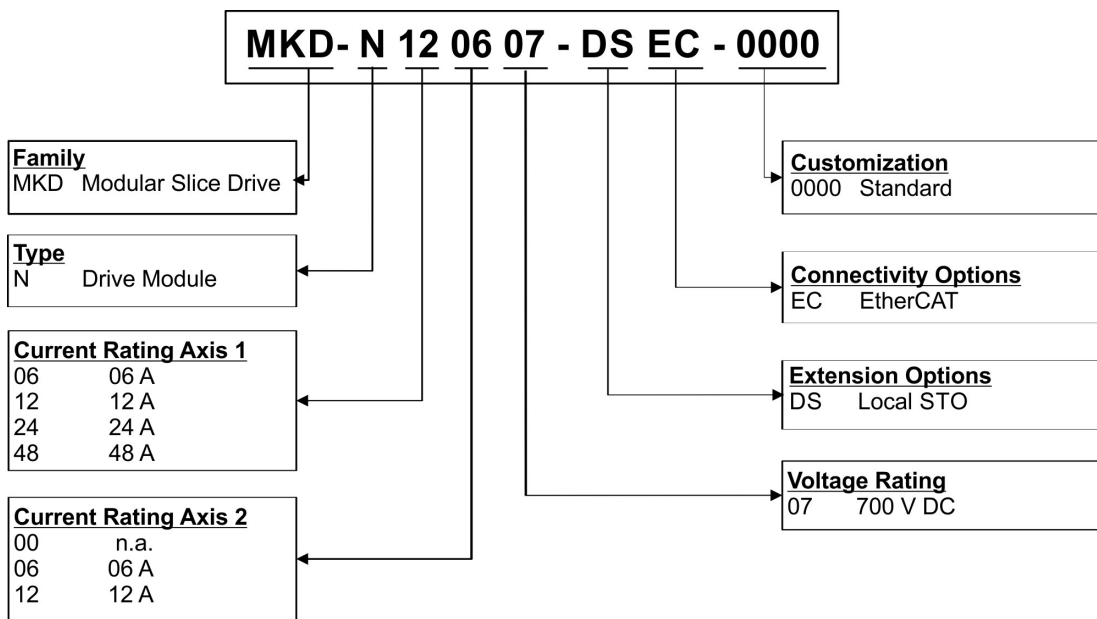
Use the part number scheme for product identification only, not for the order process, because not all combinations of features are possible, always.

1.4.2.1 MKD-C modules



Customization code coding for customer specials (not relevant for functional safety).

1.4.2.2 MKD-N modules



Customization code coding for customer specials (not relevant for functional safety).


1.4.3 Mechanical Data

NOTE Mechanical data (→ # 133)

1.4.4 Electrical Data

NOTE Electrical data (→ # 131)

1.4.5 Ambient Conditions in normal operation

Storage, Transport	(→ # 10)
Normal operation	Environmental class 3K3 according to IEC 61800-2
Surrounding air temperature in operation	0 to +40 °C under rated conditions +40 to +55 °C with continuous current derating 4 % per °C
Humidity in operation	Relative humidity 5 to 85%, no condensation, class 3K3
Site altitude	Up to 1000 meters above mean sea level without restriction 1,000 to max. 2,000 meters above mean sea level with power derating 1.5%/100 m
Pollution level	Pollution level 2 as per IEC 60664-1
Vibrations	Class 3M1 according to IEC 60721-3-3
Environmental area	Cabinet IP 54 according to IEC 60529
Mounting position	Vertical
Ventilation	Built-in fan.
 CAUTION	Noise emission! Noise emission up to 90 dBA during operation with maximum load. Keep cabinet doors closed during operation. It is mandatory to use ear protection if cabinet doors must be opened during normal operation.
NOTICE	The device shuts down in case of excessively high temperature in the control cabinet. Make sure sufficient forced ventilation is supplied within the control cabinet.

1.4.6 System limits

Length String 2/3	Maximum 100 m total cable length per string.
Number of MKD-C	Limited by fieldbus protocol.
Number of MKD-N axes	Maximum 14 axes for string 1, total maximum 28 axes if string 1 and 2 are combined (observe total power and current restrictions).
Number of AKD-N	Maximum 14 per string, total maximum 28 on strings 2 and 3, (observe total power and current restrictions).
Global STO (String 2/3): Number of AKD-N	<ul style="list-style-type: none"> ● AKD-N Hardware Rev. A or B: 8 AKD-N ● AKD-N Hardware Rev. A or B with signal buffer: 14 AKD-N ● AKD-N Hardware Rev. C: 14 AKD-N
Output current	Use coincidence factor of the axes for distribution and system power optimization. String 1: 43 A, String 2: 16 A, String 3: 16 A
Total power	At 565 V to 680 V limited to 30 kW.
String 2/3 power	At 565 V to 680 V limited to 10 kW for each string.
String standby power	At 55 V limited to 180 W for each string.
Motor Brake power	You can control up to 3 motor brakes per string. Available power for brakes is 76 W per string (= 3.2 A @ 24 VDC).
Service Interface X18	Ethernet TCP/IP, 100 Mbit/s, max. cable distance 100 m

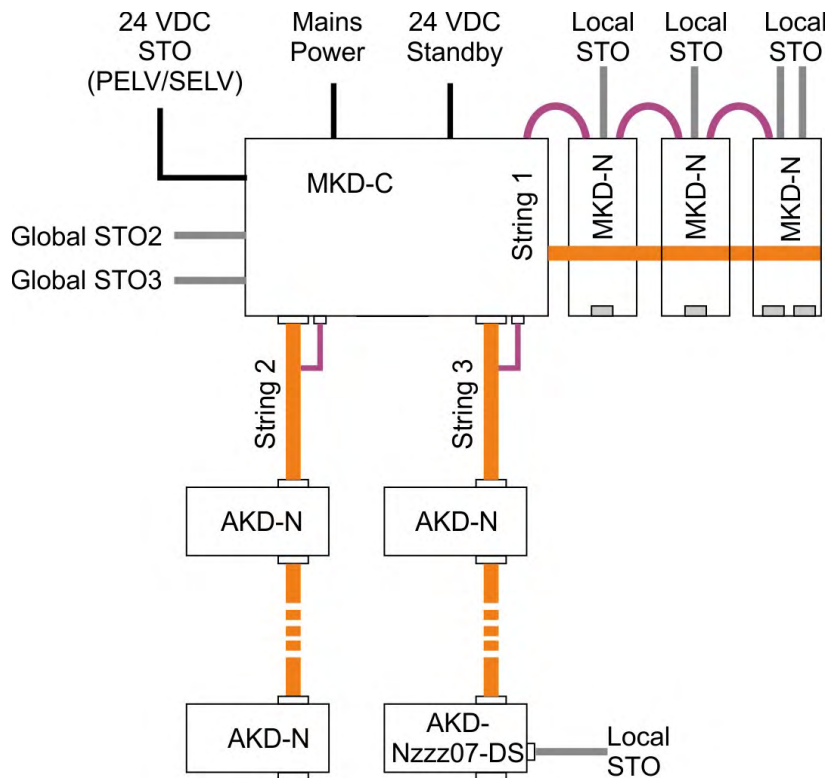
1.5 Safe Torque Off (STO)

The STO safety implementation on the MKD is certified. The safety circuit implementation used for the safety function "Safe Torque Off" in the drive is suited for SIL 2 according to IEC 62061 and PLd / CAT3 according to ISO 13849-1.

INFO

Refer to the MKD *Installation Manual* for full information on functional safety.

The safety properties given by Kollmorgen listed in the appendix (→ # 154) can be reached if the Kollmorgen components are used. The resulting Functional Safety classification (SIL and/or PL level) must be calculated across the drive system.



- MKD-C connector X16:
 - global STO (String 2/3) inputs of the system powered by this MKD-C.
- MKD-N connector X26:
 - local STO (axis 1 and axis 2 if built-in) input of the drive module.
- AKD-N connectors X6:
 - local STO input of the AKD-N-DS/DT drive modules.

Global STO

There is one STO input for every DC Power string. The string STO input releases the power output stage of all AKD-N (without option DS/DT) connected to the string as long as a 24 V signal is applied to this input.

Local STO

The local STO input releases the power output stage of the MKD-N drive axis as long as a 24 V signal is applied to this input.

1.6 Mechanical Installation

NOTE

Dimensions and mounting hints see (→ # 133) and refer to the *MKD Installation Manual*.

1.6.1 Important Notes

NOTICE

MKD-C and MKD-N devices must be mounted in cabinets only with protection class IP 54 according to IEC 60529.



CAUTION High EMC Voltage Level!

Risk of electrical shock, if the servo amplifier (or the motor) is not properly EMC-grounded.

- Do not use painted (i.e. non-conductive) mounting plates.
- In unfavourable circumstances, use copper mesh tape between the earthing bolts and earth potential to deflect currents.

NOTICE

Protect the device from impermissible stresses. In particular, do not let any components become bent or any insulation distances altered during transport and handling. Avoid contact with electronic components and contacts.

NOTICE

The modules will switch itself off in case of overheating. Ensure that the mounting space matches the requirements (→ # 15).

NOTICE

Do not mount devices that produce magnetic fields directly beside the device. Strong magnetic fields can directly affect internal components. Install devices which produce magnetic field with distance to the MKD-C and/or shield the magnetic fields.

1.6.2 Guide to Mechanical Installation

For details refer to the *MKD Installation Manual*. The following tools are required (at a minimum) to install the MKD-C and MKD-N modules; your specific installation may require additional tools.

- M4 hexagon socket-cap screws (ISO 4762)
- 3 mm T-handle Allen key
- No. 2 Phillips head screwdriver
- Small slotted screwdriver

Install the modules as follows:

1. Prepare the site. The MKD modules must be mounted in a closed control cabinet (→ # 15). The site must be free from conductive or corrosive materials.
2. Check that the ventilation of the modules is unimpeded, and keep within the permitted ambient temperature (→ # 15). Keep the required space clearance above and below the modules (→ # 133).
3. If cooling systems are used for the control cabinet, position the cooling system so that condensation water cannot drip onto the modules or peripheral devices.
4. Assemble the power supply module and the drive modules on the conductive, grounded mounting plate in the cabinet.
5. Ground the modules, the mounting plate, motor housing, GND of 24V supply and CNC-GND of the control system.

NOTE

For mechanical installation of AKD-N to the machine, refer to the *AKD-N Installation Manual*.

1.7 Electrical Installation

NOTE

Connectors and Wiring overview see (→ # 135) and refer to the *MKD Installation Manual*.

1.7.1 Important Notes

NOTICE

Only professional staff who are qualified in electrical engineering are allowed to install the drive system.



DANGER

High Voltage up to 900 V!

There is a danger of serious personal injury or death by electrical shock or electrical arcing. Capacitors can still have dangerous voltages present up to 5 minutes after switching off the supply power. Control and power connections can still be live, even if the motor is not rotating.

- Only install and wire the equipment when it is not live.
- Make sure that the cabinet is safely disconnected (for instance, with a lock-out and warning signs).
- Never remove electrical connections to the drive while it is live.
- Wait at least 5 minutes after disconnecting the drive from the main supply power before touching potentially live sections of the equipment (e.g. contacts) or undoing any connections.
- To be sure, measure the voltage in the DC bus link and wait until it has fallen below 50 V.
- Ensure the MKD-N DC-Bus link cover is installed on the last MKD-N before switching on mains power.

NOTICE

Since the leakage current to PE is more than 3.5 mA, in compliance with IEC61800-5-1 the PE connection must either be doubled or a connecting cable with a cross-section $>10 \text{ mm}^2$ must be used. Deviating measures according to regional standards might be possible.

NOTICE

Wrong DC Bus link voltage, unsuitable motor or wrong wiring will damage the system components. Check the combination of drive and motor. Compare the rated voltage and current of the units. Implement the wiring according to the connection diagrams: (→ # 135).

1.7.2 Guide to electrical installation

For details refer to the *MKD Installation Manual*. Install the drive electrical system as follows:

1. Select cables accordance with the planned system topology, see (→ # 15).
2. Observe the maximum cable length definition (→ # 15).
3. Install shielding and ground the system components, see (→ # 139).
4. Wire the system components. Observe "Recommendations for EMI noise reduction" and connect all interface according to the wiring diagrams in the *Installation Manual*.
5. Check the wiring against the wiring diagrams in the *Installation Manual*.
6. Install the MKD-N DC-Bus link cover on the last MKD-N.

NOTE

For electrical installation of AKD-N to the machine, refer to the *AKD-N Installation Manual*.

1.8 Setup

NOTE

- For detailed information on functional safety refer to the *MKD Installation Manual*.
- Programming parameters: see WorkBench online help.
- The fieldbus setup is described in the corresponding manual on the DVD.

1.8.1 Important Notes

NOTICE

Before testing and setup, the manufacturer of the machine must generate a risk assessment for the machine and take appropriate measures so that unforeseen movements cannot cause injury or damage to any person or property.

NOTICE

Only professional personnel with extensive knowledge in the fields of electrical engineering and drive technology are allowed to test and set up the drive.



⚠ DANGER Lethal Voltage!

There is a danger of serious personal injury or death by electrical shock. Lethal danger exists at live parts of the device.

- Built-in protection measures such as insulation or shielding may not be removed.
- Work on the electrical installation may only be performed by trained and qualified personnel, in compliance with the regulations for safety at work, and only with switched off mains supply, and secured against restart.



⚠ WARNING Automatic Restart!

Risk of death or serious injury for humans working in the machine. The drive might restart automatically after power on, voltage dip or interruption of the supply voltage, depending on the parameter setting. If parameter DRV.ENDEFAULT is set to 1,

- then place a warning sign ("WARNING: Possible Automatic Restart" or similar) to the machine.
- Ensure, that power on is not possible, while humans are in a dangerous zone of the machine.



⚠ CAUTION High Temperature!

Risk of minor burns. The heat sink of the drive can reach temperatures up to 80°C in operation.

- Check the heat sink temperature before handling the drive.
- Wait until the heat sink has cooled down to 40°C before touching it.



⚠ CAUTION High Noise Pollution!

Risk of damage to the hearing. Fans generate noise of up to 90 dBA when operating at maximum load.

- Keep the cabinet doors closed during operation.
- Use ear protection if the control cabinet has to be opened during normal operation.

NOTICE

If a device has been stored for more than 1 year, you must re-form the capacitors in the DC bus link circuit. Re-forming procedures are described in the Kollmorgen Developer Network ([Forming](#)).

1.8.2 Initial System Test

Preparation

1. Unpack the devices and accessories. Observe the safety instructions in the documentation.
2. Mount the devices and wire the system.
3. Validate mechanical and electrical installation.
4. Validate IP addresses
5. Make sure you have on hand the following information about the drive components:
 - rated mains supply voltage
 - motor type (motor data, if the motor type is not listed in the motor database)
 - feedback unit built into the motor (type, poles/lines/protocol)
 - moment of inertia of the load

Set system addresses

We suggest to use Auto-IP. Set rotary switch S1 to "0". All network devices that are connected receive a unique IP address in the range 169.254.x.y. WorkBench looks for IP addresses in the subnet to detect devices in the LAN and start communication. Refer to the WorkBench Online Help for information.

Confirm connections

Switch on 24 VDC logic power for the system (mains supply voltage is not needed for communications). Confirm that the green link LED on the MKD-C and on the PC are both illuminated.

Although Windows displays this limited functionality icon for the drive connection, the PC can communicate fully with the drive. Using WorkBench, you can now configure the drive through this connection.

Install and start WorkBench

WorkBench is available from the DVD included with the drive and on the Kollmorgen Website: www.kollmorgen.com. Select the install file and follow the instructions given by the installer.

Once installation is complete, click the WorkBench icon to start the program.

Parameterize and enable the axes in WorkBench

Refer to the WorkBench Online Help for information.

1.9 Troubleshooting the MKD System

Drive problems occur for a variety of reasons, depending on the conditions in your application. The causes of faults in multi-axis systems can be very complex. If you cannot resolve a fault, Kollmorgen customer support can give you further assistance.

NOTICE

Eliminate errors and faults in compliance with work safety rules. Troubleshooting only by qualified and trained staff.

NOTE

Details on the removal of faults can be found in the WorkBench online help.

2 Deutsch

2.1 Allgemeines	22
2.1.1 Hinweise für die gedruckte Ausgabe (Papierversion)	22
2.1.2 Verwendete Symbole	23
2.2 Produktsicherheit	24
2.2.1 Das sollten Sie beachten	24
2.2.2 Bestimmungsgemäße Verwendung	26
2.2.3 Nicht bestimmungsgemäße Verwendung	27
2.2.4 Warnaufkleber	27
2.3 Produkt Lebenszyklus, Handhabung	28
2.3.1 Transport	28
2.3.2 Verpackung	28
2.3.3 Lagerung	28
2.3.4 Installation, Setup und Normalbetrieb	29
2.3.5 Außer Betrieb nehmen	29
2.3.6 Wartung und Reinigung	29
2.3.7 Demontage	29
2.3.8 System Reparatur	30
2.3.9 Entsorgung	30
2.4 Technische Beschreibung und allgemeine Daten	31
2.4.1 Lieferumfang	31
2.4.2 Typenschlüssel	32
2.4.3 Mechanische Daten	32
2.4.4 Elektrische Daten	32
2.4.5 Umgebungsbedingungen im normalen Betrieb	33
2.4.6 Systemgrenzen	33
2.5 Safe Torque Off (STO)	34
2.6 Mechanische Installation	35
2.6.1 Wichtige Hinweise	35
2.6.2 Anleitung für die mechanische Installation	35
2.7 Elektrische Installation	36
2.7.1 Wichtige Hinweise	36
2.7.2 Anleitung für die elektrische Installation	36
2.8 Setup	37
2.8.1 Wichtige Hinweise	37
2.8.2 Basis Systemtest	38
2.9 Fehlerbehebung beim MKD System	38

2.1 Allgemeines

Der MKD-C/N *Product Safety Guide* liefert die relevanten Informationen für sichere Installation und Inbetriebnahme der MKD Systemmodule MKD-C Netzteil und MKD-N Servoverstärker.

INFO

Vollständige Informationen finden Sie im *MKD-C/N Installation Manual*, in der *AKD-N Betriebsanleitung* und weiteren Kollmorgen Dokumenten.

Informationen zum Gebrauch des MKD bestehen aus:

- *Betriebsanleitung*: Das Dokument beschreibt die MKD Module und beinhaltet relevanten Informationen für sichere Installation eines MKD Systems.
- *WorkBenchOnlinehilfe*: Beschreibt die Verwendung des Systems in gängigen Applikationen. Sie liefert auch Hinweise für die Optimierung der Systemleistung. Die *Online Hilfe* beinhaltet den *Parameter and Command Reference Guide* mit Informationen zu Parametern und Befehlen, die zum Programmieren des Systems benutzt werden.
- *EtherCAT Communication*: beschreibt die Verwendung des Systems in EtherCAT Applikationen.

Diese Dokumente finden Sie auf der DVD in der Verpackung des Servoverstärkers. Alle Dokumente können Sie vom [Kollmorgen Developer Network](#) herunterladen.




2.1.1 Hinweise für die gedruckte Ausgabe (Papierversion)

Jedem Produkt liegt eine gedruckte Ausgabe dieses Handbuchs bei. Aus ökologischen Gründen wurde das Dokument verkleinert auf DIN A5 gedruckt.

INFO

Sollten Sie Schwierigkeiten haben, die Schriftgröße des verkleinert gedruckten Exemplars zu lesen, können Sie die PDF Version im DIN A4 Format 1:1 ausdrucken und verwenden. Sie finden die PDF Version auf der dem Produkt beiliegenden DVD und auf der Kollmorgen Internetseite.

2.1.2 Verwendete Symbole

Symbol	Bedeutung
 GEFAHR	Weist auf eine gefährliche Situation hin, die, wenn sie nicht vermieden wird, zum Tode oder zu schweren, irreversiblen Verletzungen führen wird.
 WARNUNG	Weist auf eine gefährliche Situation hin, die, wenn sie nicht vermieden wird, zum Tode oder zu schweren, irreversiblen Verletzungen führen kann.
 VORSICHT	Weist auf eine gefährliche Situation hin, die, wenn sie nicht vermieden wird, zu leichten Verletzungen führen kann.
ACHTUNG	Dieses Symbol weist auf eine Situation hin, die, wenn sie nicht vermieden wird, zu Beschädigung von Sachen führen kann.
INFO	Dieses Symbol weist auf wichtige Informationen hin.
	Warnung vor einer Gefahr (allgemein). Die Art der Gefahr wird durch den nebenstehenden Warntext spezifiziert.
	Warnung vor gefährlicher elektrischer Spannung und deren Wirkung.
	Warnung vor Gefahr durch heiße Oberfläche.
	Warnung vor Gefahr durch hängende Last.
	Warnung vor Gefahr durch automatischem Anlauf.

2.2 Produktsicherheit

2.2.1 Das sollten Sie beachten

Fachpersonal erforderlich

Für Arbeiten wie Transport, Installation, Inbetriebnahme und Instandhaltung darf nur qualifiziertes Personal eingesetzt werden. Qualifiziertes Personal sind Personen, die mit Transport, Installation, Inbetriebnahme und Betrieb von elektrischen Antrieben vertraut sind.

- Transport, Lagerung, Auspacken: nur durch Personal mit Kenntnissen in der Behandlung elektrostatisch gefährdeter Bauelemente.
- Mechanische Installation: nur durch Personal mit Kenntnissen in mechanischen Arbeiten.
- Elektrische Installation: nur durch Personal mit Kenntnissen in elektrotechnischen Arbeiten.
- Inbetriebnahme: nur durch Fachleute mit weitreichenden Kenntnissen in den Bereichen Elektrotechnik und Antriebstechnik.

Das Fachpersonal muss ebenfalls ISO 12100 / IEC 60364 / IEC 60664 und nationale Unfallverhütungsvorschriften kennen und beachten.

Dokumentation lesen

Lesen Sie vor der Montage und Inbetriebnahme die vorliegende Dokumentation. Falsches Handhaben der Geräte kann zu Personen- oder Sachschäden führen. Der Betreiber muss daher sicherstellen, dass alle mit Arbeiten am Antriebssystem betrauten Personen das Handbuch gelesen und verstanden haben und dass die Sicherheitshinweise in diesem Handbuch beachtet werden.

Hardware Revision prüfen

Prüfen Sie die Hardware-Revisionsnummer des Produkts (siehe Typenschild). Hardware Revisionsnummer von MKD-C und MKD-N können voneinander abweichen. Die Nummer ist die Verknüpfung zwischen dem Produkt und dem Handbuch. Diese Revisionsnummer muss mit der Hardware-Revisionsnummer auf der Betriebsanleitung übereinstimmen.

Technische Daten beachten

Halten Sie die technischen Daten und die Angaben zu den Anschlussbedingungen ein. Wenn zulässige Spannungswerte oder Stromwerte überschritten werden, können die Geräte geschädigt werden. Ein ungeeigneter Motor oder fehlerhafte Verdrahtung beschädigen die Systemkomponenten. Prüfen Sie die Kombination aus Verstärker und Motor. Gleichen Sie die Nennspannung und den Nennstrom der Komponenten ab.

Risikobeurteilung erstellen

Der Hersteller der Maschine muss eine Risikobeurteilung für die Maschine erstellen und geeignete Maßnahmen treffen, dass unvorhergesehene Bewegungen nicht zu Verletzungen oder Sachschäden führen können. Aus der Risikobeurteilung leiten sich eventuell auch zusätzliche Anforderungen an das Fachpersonal ab.

Der Hersteller der Maschine muss regelmäßige Überprüfungen der elektrischen Komponenten und Applikationen festlegen.

Automatischer Wiederanlauf!

Der Antrieb kann abhängig von der Parametereinstellung nach dem Einschalten der Netzspannung, bei Spannungseinbrüchen oder Unterbrechungen automatisch anlaufen. Es besteht die Gefahr von tödlichen oder schweren Verletzungen für Personen, die in der Maschine arbeiten.

Wenn der Parameter DRV.ENDEFAULT eines MKD-N auf 1 gesetzt ist, warnen Sie an der Maschine mit einem Warnschild (Warnung: Automatischer Wiederanlauf nach Einschalten!) und stellen Sie sicher, dass ein Einschalten der Netzspannung nicht möglich ist, während sich Personen im gefährdeten Bereich der Maschine aufhalten. Wenn Sie einen Unterspannungsschutz benutzen, beachten Sie Kapitel 7.5 der EN 60204-1:2006.



Elektrostatisch empfindliche Bauteile

Die Geräte enthalten elektrostatisch gefährdete Komponenten, die durch unsachgemäßen Gebrauch beschädigt werden können. Entladen Sie Ihren Körper elektrostatisch, bevor Sie das Gerät berühren. Vermeiden Sie es, hoch isolierende Stoffe zu berühren (Kunstfasern, Plastikfolie usw.). Legen Sie das Gerät auf eine leitfähige Oberfläche.

Heiße Oberfläche



Die Oberflächen von Verstärkern können im Betrieb sehr heiß werden. Das Gehäuse kann Temperaturen über 80 °C erreichen. Gefahr leichter Verbrennungen. Messen Sie die Temperatur. Warten Sie, bis das Gehäuse auf unter 40 °C abgekühlt ist, bevor Sie es berühren.

Erdung



Stellen Sie die ordnungsgemäße Erdung des Gerätes mit der PE-Schiene im Schaltschrank als Bezugspotential sicher. Gefahr durch elektrischen Schlag.

Ohne niederohmige Erdung ist keine personelle Sicherheit gewährleistet

Ableitstrom

Da der Ableitstrom zu PE mehr als 3,5 mA beträgt, muss in Übereinstimmung mit der Norm EN61800-5-1 der PE-Anschluss entweder doppelt ausgeführt oder ein Anschlusskabel mit einem Querschnitt von >10 mm² verwendet werden. Abweichende Maßnahmen sind in Übereinstimmung mit regionalen Vorschriften möglich.

Fehlerstrom Schutzschalter oder Überwachungsgeräte!

MKD-C mit MKD-N kann einen Gleichstrom im Schutzerder erzeugen. Wo für den Schutz im Falle einer direkten oder indirekten Berührung eine Fehlerstrom-Schutzeinrichtung (RCD) oder ein Fehlerstrom-Überwachungsgerät (RCM) verwendet wird, ist auf der Stromversorgungsseite des MKD-C nur ein RCD oder RCM vom Typ B zulässig.

Tödliche Spannung!



Die Geräte erzeugen hohe elektrische Spannungen bis zu 900 V. Lebensgefahr beim Berühren von spannungsführenden Teilen. Öffnen oder berühren Sie die Geräte während des Betriebs nicht. Halten Sie während des Betriebs alle Türen des IP54 Schaltschranks geschlossen. Eingebaute Schutzmaßnahmen wie Isolation oder Schirmung dürfen nicht entfernt werden. Arbeiten an der elektrischen Installation sollen nur bei abgeschalteter und gegen Wiedereinschalten gesicherter Netzspannung durchgeführt werden. Trennen Sie nie die elektrischen Verbindungen zum MKD, während dieser Spannung führt. Es besteht die Gefahr von Lichtbogenbildung mit Verletzungsgefahr und Schäden an Kontakten. Warten Sie nach dem Trennen des Gerätes von den Versorgungsspannungen mindestens 5 Minuten, bevor Sie Geräteteile, die potenziell Spannung führen, berühren oder Anschlüsse trennen. Stellen Sie sicher, dass die Abdeckung des MKD-N Zwischenkreises am letzten MKD-N installiert ist, bevor Sie die Stromversorgung einschalten.

Hohe Lärmbelastung!



Lüfter erzeugen im Betrieb mit maximaler Last Lärm von bis zu 90 dBA. Dies kann zu einer Schädigung des Gehörs führen. Halten Sie die Schranktüren während des Betriebs geschlossen. Benutzen Sie Gehörschutz, wenn der Schaltschrank während des normalen Betriebs geöffnet werden muss. Der Betreiber muss abhängig vom ermittelten Tages-Lärmexpositionspegel einen Gehörschutz bereitstellen und die Verwendung überwachen.

Funktionale Sicherheit

Die Sicherheitsfunktion STO im MKD ist zertifiziert. Der Brake Interruption Eingang kann benutzt werden, um eine SBC Funktion zu realisieren. Die abschließende Beurteilung der funktionalen Sicherheit gemäß EN13849 oder EN 62061 muss der Anwender durchführen.

Geräte nicht verändern

Veränderung an der Servoverstärker Hardware ohne Erlaubnis des Herstellers sind nicht zulässig. Öffnen der Geräte bedeutet Verlust der Gewährleistung.

2.2.2 Bestimmungsgemäße Verwendung

MKD-C Netzteile sind ausschließlich für den Betrieb von MKD-N Servoverstärker Modulen im Schaltschrank und AKD-N dezentralen Servoverstärkern geeignet.

Die MKD-N Servoverstärker sind ausschließlich zum Antrieb von geeigneten Synchron-Servomotoren mit geschlossenem Drehmoment-, Drehzahl- und/oder Positionsregelkreis vorgesehen.

MKD Systemmodule sind Komponenten, die in elektrische Anlagen oder Maschinen eingebaut werden und nur als integrierte Bestandteile dieser Anlagen oder Maschinen betrieben werden können. Der Hersteller der Maschine muss eine Risikoanalyse der Maschine erstellen. Der Antrieb darf nicht verwendet werden, bis sichergestellt wurde, dass die Maschine oder Anlage die regionalen Richtlinien erfüllt.

Kollmorgen Multi-Achsen Antriebssystem

MKD darf nur in Antriebssystemen mit Komponenten von Kollmorgen eingesetzt werden. Zusätzlich benötigte Kollmorgen Komponenten sind die Netzdrossel, Hybrid Strangkabel, Hybrid Motorkabel, Motorleistungskabel und Motorfeedbackkabel sowie Servomotoren.

Montage

MKD Module dürfen nur in geschlossenen Schaltschränken betrieben werden, die sich für die definierten Umgebungsbedingungen eignen (→ # 33).

Verdrahtung

Verwenden Sie nur Kollmorgen Leitungen zur Verbindung der Systemkomponenten.

Spannungsversorgung

MKD-C muss an einem 3 phasigen, industriellen Versorgungsnetz betrieben werden (maximaler symmetrischer Nennstrom bei 400 V und 480 V: 42 kA) über eine Netzdrossel 3L.

MKD-N Servoverstärker müssen von den intelligenten MKD-C Netzteilen mit einer Gleichspannung von 55 VDC bis 800 VDC versorgt werden.

Sicherungen

Die Geräte müssen mit einer Absicherung gegen Überlast betrieben werden.

Motor-Nennspannung

Die Nennspannung der Motoren muss mindestens so hoch sein wie die vom Verstärker erzeugte DC-Zwischenkreisspannung geteilt durch $\sqrt{2}$ ($U_{nMotor} \geq U_{DC}/\sqrt{2}$).

Gruppeninstallationen und mit Gleichstrom versorgte Antriebe

ACHTUNG

Der MKD-C wurde weder von Kollmorgen, UL noch dem TÜV für Gruppeninstallation untersucht. Es sind keine Werte für eine DC Spannungsversorgung definiert.

Hilfsspannungsversorgung, Standby Versorgung

Die Standby Versorgung für die Antriebsstränge darf nur für die Versorgung der MKD-N Elektronik verwendet werden. Das 24 VDC Netzteil muss die Anforderungen von PELV (EN 60204-1) erfüllen.

Safe Torque Off

Lesen Sie den Abschnitt "Bestimmungsgemäße Verwendung" im STO Kapitel (→ # 34) bevor Sie diese Sicherheitsfunktion verwenden. Das 24 VDC Netzteil für die globale STO Versorgung muss die Anforderungen von PELV (EN 60204-1) erfüllen.

2.2.3 Nicht bestimmungsgemäße Verwendung

Eine andere Verwendung als in Kapitel "Bestimmungsgemäße Verwendung" beschrieben ist nicht bestimmungsgemäß und kann zu Schäden bei Personen, Gerät oder Sachen führen.

Das System soll nicht verwendet werden

- in Maschinen, die nicht den geltenden nationalen Richtlinien oder Normen entsprechen,
- zum Antrieb von Aufzügen,
- in Anwendungen mit häufigen, betriebsmäßigen Kurzschlüssen der Anschlüsse des Bremswiderstandes,
- in Anwendungen mit Kurzschlüssen der DC+/DC- Zwischenkreisanschlüsse.

Die Verwendung des Gerätes in den folgenden Umgebungen ist ebenfalls untersagt:

- explosionsgefährdete Bereiche,
- Umgebungen korrosiven und/oder elektrisch leitenden Säuren, alkalischen Lösungen, Ölen, Dämpfen und Staub,
- Schiffe oder Offshore-Anwendungen.



Verdrahtung des Systems mit Hybridkabeln anderer Hersteller als Kollmorgen ist nicht erlaubt. Verändern von Kollmorgen Kabeln oder Steckern ist nicht erlaubt.

2.2.4 Warnaufkleber

ACHTUNG

Beschädigte Warningsymbole müssen sofort ersetzt werden.

2.2.4.1 Hinweise auf dem Produkt

 <p>The minimum size of the protective earthing conductor shall comply with the local safety regulations for high protective earthing conductor current.</p>	 <p>Residual Voltage Wait 5 minutes after removing power before servicing.</p>
<p>Übersetzung: Die Mindestgröße der Schutzerdungsleiter soll den örtlichen Sicherheitsvorschriften für hohen Schutzerdungsstrom entsprechen.</p>	<p>Übersetzung: Restspannung 5 Minuten nach Abschalten der Leistung bis zur Wartung warten.</p>

Bei einem System mit Supercapacitors kann sich die Wartezeit bis zur Wartung erhöhen. Basierend auf der Risikobeurteilung muss der Benutzer zusätzliche Warningschilder im Schaltschrank anbringen.

2.3 Produkt Lebenszyklus, Handhabung

2.3.1 Transport

Transportieren Sie die MKD Module gemäß EN 61800-2 wie folgt:

- Transport nur durch qualifiziertes Personal in der wiederverwertbaren Originalverpackung des Herstellers.
- Beim Transport Stöße vermeiden.
- Vibration/Schock: MKD Module sind geprüft für Klasse 3M1 gemäß IEC 60721-3-2.
- Höchstens mit der maximalen Stapelhöhe (8 Kartons) stapeln.
- Nur innerhalb der angegebenen Temperaturbereiche transportieren: -25 bis +70°C, max. Änderungsrate 20 K/Stunde, Klasse 2K3.
- Nur innerhalb der angegebenen Feuchtigkeitsbereiche transportieren: max. 95 % relative Luftfeuchtigkeit, nicht kondensierend, Klasse 2K3.

ACHTUNG

Die Geräte enthalten elektrostatisch gefährdete Komponenten, die durch unsachgemäßen Gebrauch beschädigt werden können. Entladen Sie sich elektrostatisch, bevor Sie das Gerät berühren. Vermeiden Sie es, hoch isolierende Stoffe zu berühren (Kunstfasern, Plastikfolie usw.). Legen Sie das Gerät auf eine leitfähige Oberfläche.

Wenn die Verpackung beschädigt ist, prüfen Sie das Gerät auf sichtbare Schäden. Informieren Sie den Spediteur und den Hersteller über Schäden an der Verpackung oder Produkt.

2.3.2 Verpackung

Die MKD Verpackung besteht aus recyclingfähigem Karton mit Einsätzen und einem Aufkleber auf der Außenseite der Verpackung.

Modell	Verpackungsmaße (mm) HxBxL	Gesamtgewicht (kg)
MKD-C003007-NA	580 x 350 x 170	22,5
MKD-C001007-CA	580 x 350 x 170	22,5
MKD-N060007, MKD-N060607, MKD-N120007, MKD-N120607, MKD-N121207	580 x 350 x 110	8,5
MKD-N240007	580 x 350 x 110	9,5
MKD-N480007	580 x 350 x 140	11,5

2.3.3 Lagerung

Lagern Sie die MKD Module gemäß EN 61800-2 wie folgt:

- Nur in der wiederverwertbaren Originalverpackung des Herstellers lagern.
- Höchstens mit der maximalen Stapelhöhe (8 Kartons) stapeln.
- Nur innerhalb der angegebenen Temperaturbereiche lagern: -25 bis +55 °C, max. Änderungsrate 20 K/Stunde, Klasse 1K4.
- Nur innerhalb der angegebenen Feuchtigkeitsbereiche lagern: 5 bis 95 % relative Luftfeuchtigkeit, nicht kondensierend, Klasse 1K3.
- MKD Module gemäß den folgenden Anforderungen an die Lagerungsdauer lagern:
 - Weniger als 1 Jahr: keine Beschränkungen.
 - Mehr als 1 Jahr: Kondensatoren im MKD-C müssen formiert werden, bevor das System in Betrieb genommen wird. Verfahren zur Formierung sind im Kollmorgen Developer Network ([Formierung](#)) beschrieben.

2.3.4 Installation, Setup und Normalbetrieb

Information zu Installation und Setup finden Sie in diesem Guide:

- Kapitel Mechanische Installation (→ # 35)
- Kapitel Elektrische Installation (→ # 36)
- Kapitel Setup (→ # 37)

Normalbetrieb wurde getestet für Umgebungsklasse 3K3 gemäß IEC 61800-2 (→ # 33). Der Hersteller der Maschine definiert die erforderlichen Fachkenntnisse des Endnutzers gemäß der Risikobeurteilung für die Maschine und beschreibt abhängig von der Applikation die Erfordernisse für den normalen Betrieb.

2.3.5 Außer Betrieb nehmen

ACHTUNG

Nur Fachpersonal mit Kenntnissen im Bereich der Elektrotechnik darf Systemkomponenten außer Betrieb nehmen.

GEFAHR: Tödliche Spannung! Es besteht die Gefahr von schweren oder tödlichen Verletzungen durch elektrischen Schlag oder Lichtbogenbildung.

- Schalten Sie den Hauptschalter des Schaltschranks aus.
- Sichern Sie das System gegen Wiedereinschalten.
- Blockieren Sie den Hauptschalter .
- Warten Sie mindestens 5 Minuten nach Abschalten der Spannung.

2.3.6 Wartung und Reinigung

Das Gerät ist wartungsfrei. Wenn das Gerät geöffnet wird, erlischt die Garantie. Das Innere des Geräts kann nur vom Hersteller gereinigt werden.

ACHTUNG

Das Gerät nicht in Flüssigkeiten tauchen oder besprühen. Vermeiden Sie, dass Flüssigkeit in das Gerät eindringt

So reinigen Sie das Gerät von außen:

1. Nehmen Sie das Gerät außer Betrieb (siehe Kapitel 2.3.5 "Außer Betrieb nehmen").
2. Gehäuse: Mit Isopropanol oder einer ähnlichen Reinigungslösung reinigen.

VORSICHT : Leicht Entflammbar! Gefahr von Verletzung durch Verpuffung und Feuer.

- Beachten Sie die Sicherheitshinweise auf der Verpackung des Reinigungsmittels.
 - Warten Sie nach der Reinigung mindestens 30 Minuten, bevor Sie das Gerät wieder in Betrieb nehmen.
3. Schutzgitter am Lüfter: Mit einer trockenen Bürste reinigen.

2.3.7 Demontage

ACHTUNG

Nur Fachpersonal mit Kenntnissen im Bereich der Elektrotechnik darf Systemkomponenten demontieren.

1. Nehmen Sie das Gerät außer Betrieb (siehe Kapitel 2.3.5 "Außer Betrieb nehmen").
2. Prüfen Sie die Temperatur.

VORSICHT: Hohe Temperatur! Gefahr leichter Verbrennungen. Im Betrieb kann der Kühlkörper Temperaturen über 80 °C erreichen. Bevor Sie das Gerät berühren, messen Sie die Temperatur und warten Sie, bis der Verstärker auf unter 40 °C abgekühlt ist.

3. Entfernen Sie die Stecker. Trennen Sie den PE Anschluss zuletzt.
4. Ausbauen: Lösen Sie die Befestigungsschrauben und entfernen Sie das Gerät.

2.3.8 System Reparatur

ACHTUNG Nur Fachpersonal mit Kenntnissen im Bereich der Elektrotechnik darf Systemkomponenten austauschen.

VORSICHT: Unerwarteter Anlauf! Bei der Durchführung von Austauscharbeiten kann es zur Kombination von Gefährdungen und multiplen Folgen kommen.

- Arbeiten sind nur unter Beachtung der Vorschriften für Arbeitssicherheit, durch geschultes Personal und mit Benutzung der jeweils vorgeschriebenen persönlichen Schutzausrüstung zulässig.

Austausch des Gerätes

Nur der Hersteller kann das Gerät reparieren. Öffnen des Gerätes bedeutet Verlust der Gewährleistung.

1. Nehmen Sie das Gerät außer Betrieb (siehe Kapitel 2.3.5 "Außer Betrieb nehmen").
2. Demontieren Sie das Gerät (siehe Kapitel 2.3.7 "Demontage").
3. Senden Sie das Gerät an den Hersteller.
4. Installieren Sie ein neues Gerät wie in der Betriebsanleitung beschrieben.
5. Nehmen Sie das System in Betrieb, wie in der Betriebsanleitung beschrieben.

Austausch sonstiger Teile des Antriebssystems

Wenn Teile des Antriebssystems ausgetauscht werden müssen (zum Beispiel Kabel), gehen Sie wie folgt vor:

1. Nehmen Sie das Gerät außer Betrieb (siehe Kapitel 2.3.5 "Außer Betrieb nehmen").
2. Tauschen Sie die Teile aus.
3. Prüfen Sie alle Steckverbindungen auf korrekten Sitz.
4. Nehmen Sie das System in Betrieb, wie in der Betriebsanleitung beschrieben.

2.3.9 Entsorgung

ACHTUNG Für die fachgerechte Entsorgung des Gerätes wenden Sie sich an einen zertifizierten Elektronikschrottverwerter.

Gemäß der Richtlinie WEEE-2012/19/EG u.ä. nimmt der Hersteller Altgeräte und Zubehör zur fachgerechten Entsorgung zurück. Die Transportkosten muss der Versender tragen.

Setzen Sie sich mit Kollmorgen in Verbindung und klären Sie die logistische Abwicklung.

Senden Sie die Geräte in der Originalverpackung an die in der folgenden Tabelle aufgeführten Herstelleradressen.

Nordamerika	Südamerika
KOLLMORGEN 201 West Rock Road Radford, VA 24141, USA	KOLLMORGEN Avenida João Paulo Ablas, 2970 Jardim da Glória, Cotia – SP CEP 06711-250, Brazil
Europa	Asien
KOLLMORGEN Europe GmbH Pempelfurtstr. 1 40880 Ratingen, Germany	KOLLMORGEN Room 302, Building 5, Lihpao Plaza, 88 Shenbin Road, Minhang District, Shanghai, China.

2.4 Technische Beschreibung und allgemeine Daten

2.4.1 Lieferumfang

Verfügbare MKD Module

Variante	Beschreibung	Leistung	Bemerkungen
MKD-C003007-NAEC	Zentrales Netzteil	30 kW	Standard
MKD-C001007-CAEC	Zentrales Netzteil	10 kW	Externe Kondensatoren
MKD-N060007-DSEC	Antriebsmodul	2,5 kW	Einachsig, 6A
MKD-N060607-DSEC	Antriebsmodul	5 kW	Zweiachsig, 2 x 6A
MKD-N120007-DSEC	Antriebsmodul	5 kW	Einachsig, 12A
MKD-N120607-DSEC	Antriebsmodul	7,5 kW	Zweiachsig, 12A + 6A
MKD-N121207-DSEC	Antriebsmodul	10 kW	Zweiachsig, 2 x 12A
MKD-N240007-DSEC	Antriebsmodul	10 kW	Einachsig, 24A
MKD-N480007-DSEC	Antriebsmodul	20 kW	Einachsig, 48A

Wenn ein Modul der MKD Reihe bestellt wird, sind im Lieferumfang folgende Komponenten enthalten:

MKD-C Paket:

- Das bestellte Modul selbst
- Gedruckter *MKD Product Safety Guide*.
- DVD mit der Setup-Software WorkBench und der gesamten Produktdokumentation in elektronischer Form.
- Gegenstecker MKD-C: X12, X13, X14, X15, X16, X25
- Eine MKD-N Zwischenkreis Abdeckung
- Zwei Steckerabdeckungen M23 für AKD-N

INFO

Die M23 Steckerabdeckungen werden für den Schutz des Steckers X2 des letzten AKD-N im Strang.

MKD-N Paket:

- Das bestellte Modul selbst
- MKD-N Datenblatt
- Gegenstecker MKD-N: X9, X24, X26, X29, X30 (nur 24A/48A)

Zubehör:

Zubehör muss bei Bedarf getrennt bestellt werden.

Zubehör für AKD-N siehe regionales *Zubehör Handbuch* oder *AKD-N Betriebsanleitung*.

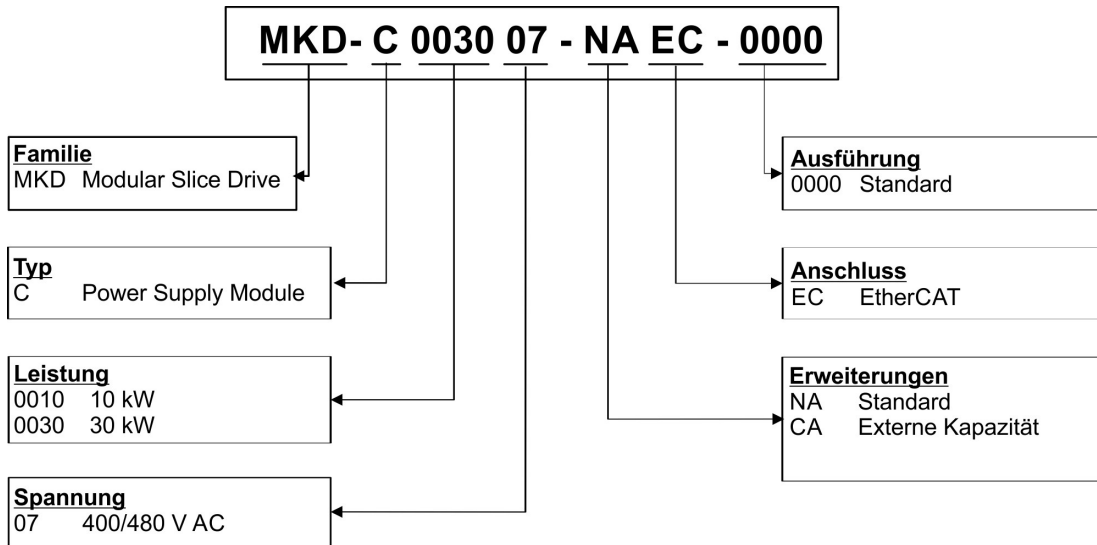
Ersatzteile

Beschreibung	Enthaltene Gegenstecker	Bestellcode
Stecker Kit	X12, X13, X14, X15, X16, X25	MKD-C-ConKit
Stecker Kit	X9A, X24A, X26A	MKD-N-ConKit Axis A
Stecker Kit	X9B, X24B, X26B	MKD-N-ConKit Axis B
Stecker 6...12A	X29A (6 Pin, Schirmblech etc.)	CON-MKD-N-06-12-X29A
Stecker 6...12A	X29B (6 Pin, Schirmblech etc.)	CON-MKD-N-X29B
Stecker 24...48A	X29A (4 Pin, Schirmblech etc.)	CON-MKD-N-24-48-X29A
Stecker 24...48A	X30A (2 Pin)	CON-MKD-N-X30A

2.4.2 Typenschlüssel

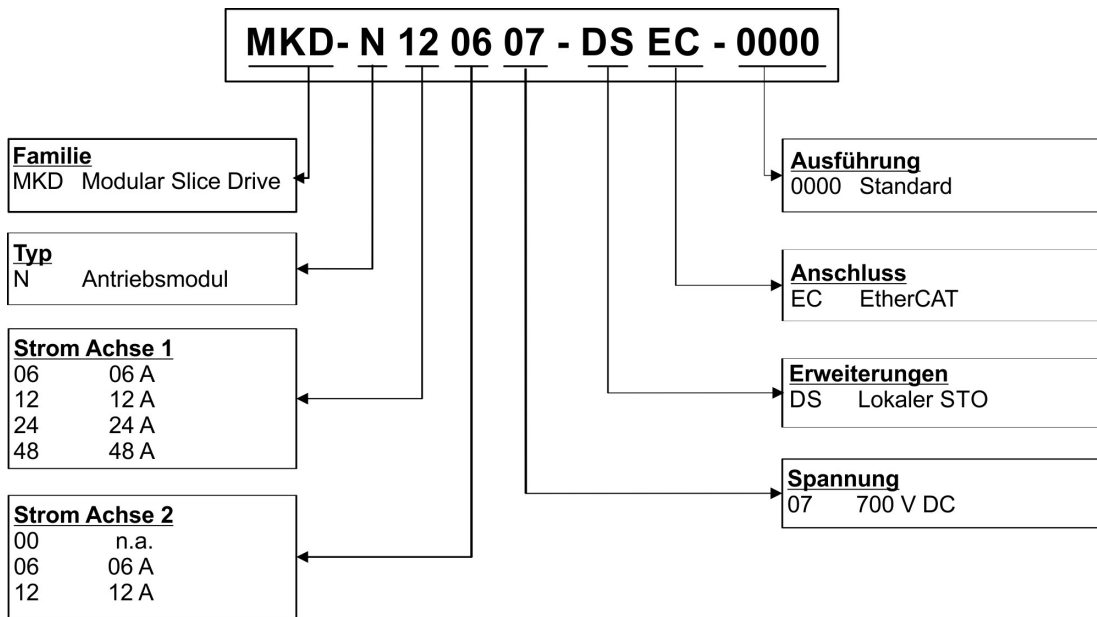
Benutzen Sie den Typenschlüssel zur Produktidentifizierung, jedoch nicht für den Bestellprozess, da nicht immer alle Merkmalkombinationen technisch möglich sind.

2.4.2.1 MKD-C Module



Ausführung: Kodierung von kundenspezifische Besonderheiten (nicht Safety relevant).

2.4.2.2 MKD-N Module



Ausführung: Kodierung von kundenspezifische Besonderheiten (nicht Safety relevant).


2.4.3 Mechanische Daten

INFO Mechanische Daten (→ # 133)

2.4.4 Elektrische Daten

INFO Elektrische Daten (→ # 131)

2.4.5 Umgebungsbedingungen im normalen Betrieb

Lagerung, Transport	(→ # 28)
Normaler Betrieb	Umgebungsklasse 3K3 gemäß IEC 61800-2
Umgebungstemperatur im Betrieb	0 bis +40 °C unter Nennbedingungen +40 bis +55 °C mit Dauerstromreduzierung von 4 % pro °C
Feuchtigkeit im Betrieb	Relative Luftfeuchtigkeit 5 bis 85 %, nicht kondensierend, Klasse 3K3
Einsatzhöhe	Bis zu 1000 Meter über Normalnull ohne Beschränkungen. 1000 bis max. 2000 Meter über Normalnull mit Stromreduzierung von 1,5 %/100 m
Verschmutzungsgrad	Verschmutzungsgrad 2 gemäß EN 60664-1
Schwingungen	Klasse 3M1 gemäß EN 60721-3-3
Umgebung	Schaltschrank IP 54 gemäß IEC 60529
Einbaulage	Vertikal
Belüftung	Integrierter Lüfter
 VORSICHT	Lärmemission! Lärmemission bis zu 90 dBA im Volllast-Betrieb. Halten Sie während des Betriebs die Schaltschranktüren geschlossen. Tragen Sie Gehörschutz, wenn die Schaltschranktüren während des Betriebs geöffnet werden müssen.
ACHTUNG	Das Gerät schaltet sich bei stark überhöhter Temperatur im Schaltschrank ab. Stellen Sie eine ausreichende Zwangsbelüftung im Schaltschrank sicher.

2.4.6 Systemgrenzen

Länge Strang 2/3	Maximal 100 m Gesamtkabellänge pro Strang
Anzahl der MKD-C	Begrenzt vom Feldbus Protokoll.
Anzahl der MKD-N Achsen	Maximal 14 Achsen in Strang 1, insgesamt maximal 28 Achsen wenn Strang 1 und 2 kombiniert werden (Begrenzung durch Gesamtleistung und Gesamtstrom).
Anzahl AKD-N	Maximal 14 Achsen pro Strang, insgesamt maximal 28 Achsen in Strang 2 und 3 (Begrenzung durch Gesamtleistung und Gesamtstrom).
Global STO (Strang 2/3): Anzahl AKD-N	<ul style="list-style-type: none"> ● AKD-N Hardware Rev. A / B: 8 AKD-N ● AKD-N Hardware Rev. A / B mit Signal-Buffer: 14 AKD-N ● AKD-N Hardware Rev. C: 14 AKD-N
Ausgangsstrom	Nutzen Sie den Gleichzeitigkeitsfaktor der Achsen für die Lastverteilung und Optimierung. Strang 1: 43 A, Strang 2: 16 A, Strang 3: 16 A
Gesamtleistung	Bei 565 V...680 V begrenzt auf 30 kW.
Strang 2/3 Leistung	Bei 565 V...680 V begrenzt auf 10 kW je Strang.
Strang Standby Leistung	Bei 55 V begrenzt auf 180 W je Strang.
Leistung Motorbremse	Sie können bis zu 3 Motorbremsen pro Strang ansteuern. Verfügbare elektrische Leistung für Bremsen: 76 W pro Strang (= 3,2 A @ 24 VDC).
Serviceschnittstelle X18	Ethernet TCP/IP, 100 Mbit/s, max. Kabellänge 100 m

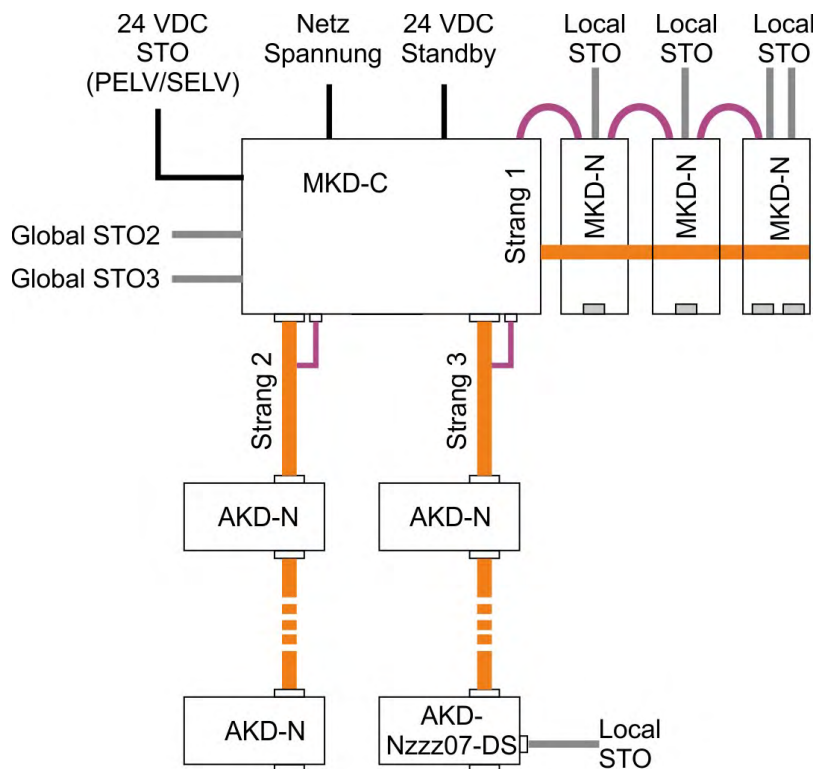
2.5 Safe Torque Off (STO)

Die Sicherheitsfunktion STO im MKD System ist zertifiziert. Das Schaltungskonzept zur Realisierung der Sicherheitsfunktion "Safe Torque OFF" in den Geräten ist demnach geeignet, die Anforderungen an SIL 2 gem. EN 62061-2 und des PLd, Kat. 3 gem. EN 13849-1 zu erfüllen.

INFO

In der MKD *Betriebsanleitung* finden Sie vollständige Informationen über die funktionale Sicherheit.

Die von Kollmorgen im Anhang (→ # 154) angegebenen Safety Kennzahlen können erreicht werden, wenn Kollmorgen Komponenten verwendet werden. Der resultierende Level der funktionalen Sicherheit (SIL und/oder PL) muss unter Berücksichtigung des gesamten Antriebssystems berechnet werden.



- MKD-C Stecker X16:
 - globale STO (Strang 2/3) Eingänge für das vom MKD-C versorgte System.
- MKD-N Stecker X26:
 - lokaler STO (Achse 1 und wenn vorhanden Achse 2) Eingang des Antriebsmoduls.
- AKD-N Stecker X6:
 - lokaler STO Eingang der AKD-N-DS/DT Antriebsmodule.

Globaler STO

Für jeden Antriebsstrang gibt es einen STO Eingang. Der STO eines Antriebsstranges gibt die Endstufen aller AKD-N (ohne Option DS/DT), die am Antriebsstrang angeschlossen sind, frei, solange ein 24 V Signal an diesem Eingang anliegt.

Lokaler STO

Der lokale STO Eingang gibt die Leistungsendstufe des MKD-N frei, solange ein 24 V-Signal an diesem Eingang anliegt.

2.6 Mechanische Installation

INFO

Abmessungen und Montagehinweise siehe (→ # 133) und im *MKD Installation Manual*.

2.6.1 Wichtige Hinweise

ACHTUNG

MKD-C und MKD-N Geräte müssen im Schaltschrank (Schutzklasse IP 54 gemäß IEC 60529) montiert werden.



VORSICHT Hoher Ableitstrom!

Gefahr durch elektrischen Schlag, wenn der Verstärker (oder der Motor) nicht EMV-gerecht geerdet ist.

- Verwenden Sie elektrisch leitende Montageplatten, z. B. aus Aluminium oder galvanisiertem Stahl.
- Verwenden Sie in ungünstigen Fällen ein Kupfergewebeband zwischen Erdungsbolzen und Erdpotential zum Ableiten der Ströme.

ACHTUNG

Schützen Sie das Gerät vor unzulässigen Belastungen. Achten Sie insbesondere darauf, dass durch den Transport oder die Handhabung keine Komponenten verbogen oder Isolationsabstände verändert werden. Vermeiden Sie den Kontakt mit elektronischen Komponenten und Kontakten.

ACHTUNG

Die Module schaltet sich bei Überhitzung selbsttätig aus. Stellen Sie sicher, dass der Einbauort die Anforderungen erfüllt (→ # 33).

ACHTUNG

Montieren Sie keine Geräte, die Magnetfelder erzeugen, direkt neben den Modulen. Starke Magnetfelder können interne Bauteile direkt beeinflussen. Montieren Sie Geräte, die Magnetfelder erzeugen, in ausreichendem Abstand zum MKD-C und/oder schirmen Sie die Magnetfelder ab.

2.6.2 Anleitung für die mechanische Installation

Einzelheiten siehe *MKD Installation Manual*. Halten Sie die folgenden Werkzeuge zur Montage der MKD-C und MKD-N Module bereit; Ihre spezielle Applikation erfordert eventuell zusätzliche Werkzeuge.

- M4-Zylinderschrauben mit Innensechskant (EN 4762)
- 3 mm-Innensechskantschlüssel mit T-Griff
- Nr. 2 Kreuzschlitzschraubendreher
- Kleiner Schlitzschraubendreher

Bauen Sie die Module wie folgt ein:

1. Bereiten Sie den Einbauort vor. Die MKD Module müssen in einem verschließbaren Schaltschrank montiert werden (→ # 33). Der Einbauort muss frei von leitenden und korrosiven Materialien sein.
2. Stellen Sie sicher, dass die Belüftung des Verstärkers nicht beeinträchtigt ist, und halten Sie die zulässige Umgebungstemperatur ein (→ # 33). Halten Sie den geforderten Freiraum über und unter den Modulen ein (→ # 133).
3. Wenn für den Schaltschrank Kühlsysteme verwendet werden, platzieren Sie das Kühlsystem so, dass kein Kondenswasser in die Module oder andere Geräte tropfen kann.
4. Montieren Sie Netzteil und Antriebsmodule nahe beieinander auf der leitenden, geerdeten Montageplatte im Schaltschrank.
5. Erden Sie die Module, die Montageplatte, das Motorgehäuse, den GND der 24V Versorgung und den CNC-GND der Steuerung.

INFO

Die Montage des AKD-N an die Maschine ist in der *AKD-N Betriebsanleitung* beschrieben.

2.7 Elektrische Installation

INFO

Stecker und Anschluss siehe (→ # 135) und *MKD Installation Manual*.

2.7.1 Wichtige Hinweise

ACHTUNG

Das Antriebssystem darf nur von Fachpersonal mit Kenntnissen im Bereich der Elektrotechnik installiert werden.



GEFAHR

Hohe Spannung bis 900 V!

Es besteht die Gefahr von schweren oder tödlichen Verletzungen durch elektrischen Schlag oder Lichtbogenbildung. Kondensatoren können bis zu 5 Minuten nach Abschalten der Stromversorgung gefährliche Spannung führen. Steuer- und Leistungsanschlüsse können auch bei nicht aktivem Motor unter Spannung stehen.

- Installieren und verdrahten Sie nur abgeschaltete Geräte.
- Achten Sie darauf, dass die Anlage sicher freigeschaltet ist (Abspernung, Warnzeichen usw.).
- Trennen Sie nie die elektrischen Verbindungen zum Servoverstärker, während dieser Spannung führt.
- Warten Sie nach dem Freischalten des Servoverstärkers mindestens 5 Minuten, bevor Sie Geräteteile berühren oder Anschlüsse trennen.
- Messen Sie zur Sicherheit die Spannung am DC-Bus-Zwischenkreis, und warten Sie, bis die Spannung unter 50 V gesunken ist.
- Stellen Sie sicher, dass die Abdeckung des MKD-N Zwischenkreises am letzten MKD-N installiert ist, bevor Sie die Stromversorgung einschalten.

ACHTUNG

Da der Ableitstrom zu PE mehr als 3,5 mA beträgt, muss in Übereinstimmung mit der Norm EN61800-5-1 der PE-Anschluss entweder gedoppelt oder ein Anschlusskabel mit einem Querschnitt von >10 mm² verwendet werden. Abweichende Maßnahmen sind in Übereinstimmung mit regionalen Vorschriften möglich.

ACHTUNG

Falsche Zwischenkreisspannung, ein ungeeigneter Motor oder fehlerhafte Verdrahtung beschädigen die Systemkomponenten. Prüfen Sie die Kombination aus Verstärker und Motor. Gleichen Sie die Nennspannung und den Nennstrom der Komponenten ab. Führen Sie die Verdrahtung gemäß der Anschlussbilder aus: (→ # 135)

2.7.2 Anleitung für die elektrische Installation

Einzelheiten siehe *MKD Installation Manual*. Installieren Sie das elektrische Antriebssystem wie folgt:

1. Wählen Sie Kabel gemäß der geplanten Systemtopologie aus (→ # 33).
2. Beachten Sie die maximale Leitungslänge (→ # 33).
3. Montieren Sie die Schirmung und erden Sie die Systemkomponenten (→ # 139).
4. Verdrahten Sie die Systemkomponenten. Beachten Sie die "Empfehlungen für die Stör- unterdrückung" und führen Sie die Verdrahtung nach den Anschlussbildern im *Installation Manual* durch.
5. Prüfen Sie die Verdrahtung anhand der Anschlusspläne im *Installation Manual* durch.
6. Installieren Sie die Abdeckung des MKD-N Zwischenkreises am letzten MKD-N.

INFO

Die elektrische Installation des AKD-N an die Maschine ist in der *AKD-N Betriebsanleitung* beschrieben.

2.8 Setup

INFO

- Informationen zu funktionaler Sicherheit finden Sie im MKD *Installation Manual*.
- Parameter Programmierung: siehe WorkBench Online Hilfe.
- Die Inbetriebnahme des Feldbus ist im Handbuch auf der DVD beschrieben.

2.8.1 Wichtige Hinweise

ACHTUNG

Der Hersteller der Maschine muss vor der Prüfung und Inbetriebnahme eine Risikobeurteilung der Maschine erstellen und geeignete Maßnahmen ergreifen, um sicherzustellen, dass unvorhergesehene Bewegungen nicht zu Verletzungen oder Sachschäden führen können.

ACHTUNG

Der Verstärker darf nur von Fachpersonal mit umfassenden Kenntnissen in der Elektrotechnik und der Antriebstechnik getestet und konfiguriert werden.



⚠ GEFAHR Tödliche Spannung!

Gefahr eines elektrischen Schlags. An spannungsführenden Teilen besteht unmittelbare Lebensgefahr.

- Verbaute Schutzmaßnahmen wie Isolationen oder Abschirmungen dürfen nicht entfernt werden.
- Arbeiten an der elektrischen Anlage sind nur durch geschultes und eingewiesenes Personal, unter Beachtung der Vorschriften für Arbeitssicherheit und nur bei ausgeschalteter und gegen Wiedereinschalten gesicherter elektrischer Versorgung zulässig.



⚠ WARNUNG Automatischer Wiederanlauf!

Es besteht die Gefahr von tödlichen oder schweren Verletzungen für Personen, die in der Maschine arbeiten. Der Antrieb kann abhängig von der Parametereinstellung nach dem Einschalten der Netzspannung, bei Spannungseinbrüchen oder Unterbrechungen automatisch anlaufen. Wenn Parameter DRV.ENDEFAULT auf 1 gesetzt ist,

- warnen Sie an der Maschine mit einem Warnschild (WARNUNG: Automatischer Anlauf möglich" oder ähnlich!) und
- stellen Sie sicher, dass ein Einschalten der Netzspannung nicht möglich ist, während sich Personen im Arbeitsbereich der Maschine aufhalten.



⚠ VORSICHT Hohe Temperatur!

Gefahr leichter Verbrennungen. Der Kühlkörper des Verstärkers kann im Betrieb Temperaturen über 80 °C erreichen.

- Prüfen Sie die Temperatur des Kühlkörpers, bevor Sie ihn berühren.
- Warten Sie, bis der Verstärker auf unter 40 °C abgekühlt ist.



⚠ VORSICHT Hohe Lärmbelastung!

Gefahr von Gehörschädigung. Lüfter erzeugen bei Maximallast Lärm bis zu 90 dBA.

- Halten Sie die Schranktüren während des Betriebs geschlossen.
- Benutzen Sie Gehörschutz, wenn der Schaltschrank während des normalen Betriebs geöffnet werden muss.

ACHTUNG

Wenn der Verstärker länger als 1 Jahr gelagert wurde, müssen Sie die Kondensatoren im DC-Bus-Zwischenkreis formieren. Verfahren zur Formierung sind im Kollmorgen Developer Network ([Forming](#)) beschrieben.

2.8.2 Basis Systemtest

Vorbereitung

1. Packen Sie Geräte und Zubehör aus. Beachten Sie die Sicherheitshinweise in der Dokumentation.
2. Montieren Sie die Geräte und verdrahten Sie das System.
3. Mechanische und elektrische Installation validieren.
4. IP Adressen validieren.
5. Stellen Sie sicher, dass Sie die folgenden Informationen zur Hand haben:
 - Nennversorgungsspannung
 - Motortyp (Motordaten, wenn der Motortyp in der Motordatenbank nicht enthalten ist)
 - In den Motor integrierte Rückführungseinheit (Typ, Polzahl/Strichzahl/Protokoll)
 - Trägheitsmoment der Last

System Adresse einstellen

Wir empfehlen Auto-IP zu verwenden. Stellen Sie Drehschalter S1 auf "0". Alle mit dem Netzwerk verbundenen Geräte erhalten eine eindeutige IP Adresse im Bereich 169.254.x.y. WorkBench benutzt die IP Adresse zur Erkennung der Geräte im LAN und startet die Kommunikation. Weitere Informationen siehe WorkBench Onlinehilfe.

Verbindungen überprüfen

Schalten Sie die 24 VDC Logikversorgung des Systems (für die Kommunikation wird keine Leistungsversorgung benötigt). Stellen Sie sicher, dass sowohl am MKD-C Stecker als auch am PC Stecker die grüne LED leuchtet.

Der PC kann vollständig mit dem Servoverstärker kommunizieren, obwohl Windows für die Verbindung mit dem Servoverstärker das Symbol für eingeschränkte Konnektivität anzeigt. In WorkBench können Sie jetzt den Servoverstärker über diese Verbindung konfigurieren.

WorkBench installieren und starten

WorkBench ist auf der mit dem Gerät gelieferten DVD und aus der Kollmorgen Website www.kollmorgen.com enthalten. Wählen Sie die Installationsdatei und folgen Sie den Anweisungen der Installationsroutine.

Wenn die Installation vollständig ist, klicken Sie auf das WorkBench Symbol um das Programm zu starten.

Parametrieren und Freigabe der Achsen in WorkBench

Weitere Informationen siehe WorkBench Onlinehilfe.

2.9 Fehlerbehebung beim MKD System

Fehler können aus den verschiedensten Gründen auftreten, die von den Bedingungen in Ihrer Anwendung abhängen. Die Ursachen für Fehler in Mehrachsensystemen können besonders komplex sein. Wenn Sie einen Fehler nicht beheben können, kann Ihnen der Kollmorgen Kundendienst weitere Unterstützung bieten.

ACHTUNG

Beseitigen Sie auftretende Fehler und Störungen unter Beachtung der Arbeitssicherheit. Fehlerbeseitigung nur durch qualifiziertes und eingewiesenes Fachpersonal.

INFO

Weitere Informationen zu Fehlermeldungen und zum Beheben von Fehlern finden Sie in der WorkBench-Onlinehilfe.

3 Français

3.1 Généralités	40
3.1.1 Remarques sur la version imprimée (version papier)	40
3.1.2 Symboles utilisés	41
3.2 Sécurité du produit	42
3.2.1 Votre attention est requise pour ce chapitre	42
3.2.2 Utilisation recommandée	44
3.2.3 Utilisation interdite	45
3.2.4 Étiquettes d'avertissement	45
3.3 Gestion du cycle de vie du produit	46
3.3.1 Transport	46
3.3.2 Emballage	46
3.3.3 Stockage	46
3.3.4 Installation, configuration et fonctionnement normal	47
3.3.5 Mise hors service	47
3.3.6 Maintenance et nettoyage	47
3.3.7 Désinstallation	47
3.3.8 Réparation	48
3.3.9 Mise au rebut	48
3.4 Description et caractéristiques techniques et générales	49
3.4.1 Éléments du coffret	49
3.4.2 Tableau des références	50
3.4.3 Caractéristiques mécaniques	50
3.4.4 Caractéristiques électriques	50
3.4.5 Conditions ambiantes en fonctionnement normal	51
3.4.6 Limites du système	51
3.5 Fonction de suppression sûre du couple (STO)	52
3.6 Installation mécanique	53
3.6.1 Remarques importantes	53
3.6.2 Guide d'installation mécanique	53
3.7 Installation électrique	54
3.7.1 Remarques importantes	54
3.7.2 Guide d'installation électrique	54
3.8 Configuration	55
3.8.1 Remarques importantes	55
3.8.2 Test initial du système	56
3.9 Dépannage du système MKD	56

3.1 Généralités

Ce manuel, le guide sécurité produit du *MKD-C/N*, présente les informations appropriées pour installer et configurer en toute sécurité les MKD modules de système de variateur d'alimentation MKD-C et de servovariateur MKD-N.

INFORMATION Pour plus d'informations, consultez le *MKD* manuel d'installation du *-C/N*, le *manuel d'installation de l'AKD-N* et les documents Kollmorgen supplémentaires.

Les informations MKD à utiliser comprennent:

- *Installation Manual*: Ce document décrit les modules et contient les informations nécessaires pour installer un système MKD en toute sécurité.
- *Aide en ligne de WorkBench*: décrit l'utilisation du système dans des applications standard. Ce document fournit également des conseils pour optimiser les performances de votre système. L'*aide en ligne* inclut le guide *Parameter and Command Reference Guide*, qui fournit des informations sur les paramètres et commandes utilisés pour la programmation du système.
- *EtherCAT Communication*: décrit l'utilisation du système dans des applications EtherCAT.











Ces documents sont disponibles sur le DVD inclus dans l'emballage du variateur. Tous les documents peuvent être téléchargés sur le [Kollmorgen Developer Network](#).

3.1.1 Remarques sur la version imprimée (version papier)

Chaque produit est fourni avec une version imprimée du manuel. Par respect de l'environnement, la taille du document a été réduite et celui-ci a été imprimé au format DIN A5.

INFORMATION Si vous rencontrez des difficultés de lecture en raison de la taille de la police, vous pouvez imprimer la version PDF au format DIN A4 1:1. La version PDF du document figure sur le DVD joint avec le produit, ainsi que sur le site de Kollmorgen.

3.1.2 Symboles utilisés

Symbole	Indication
 DANGER	Indique une situation dangereuse qui, faute de prendre les mesures adéquates, entraînera des blessures graves, voire mortelles.
 AVERTISSEMENT	Indique une situation dangereuse qui, faute de prendre les mesures adéquates, peut entraîner des blessures graves, voire mortelles.
 ATTENTION	Indique une situation dangereuse qui, faute de prendre les mesures adéquates, peut entraîner des blessures assez graves ou légères.
 AVIS	Il ne s'agit pas d'un symbole de sécurité. Indique des situations qui, faute de prendre les mesures adéquates, peuvent entraîner des dommages matériels.
 INFORMATION	Il ne s'agit pas d'un symbole de sécurité. Ce symbole indique des remarques importantes.
	Avertissement de danger (en général). Le type de danger est indiquée par le texte d'avertissement ci-contre.
	Avertissement de danger de tension électrique dangereuse et l'effet.
	Avertissement de danger des surfaces chaudes.
	Avertissement de danger d'une charge suspendue.
	Avertissement de danger de redémarrage automatique.

3.2 Sécurité du produit

3.2.1 Votre attention est requise pour ce chapitre

Personnel spécialisé

Seul le personnel qualifié est autorisé à effectuer les travaux tels que transport, installation, mise en service et entretien. On considère comme personnel qualifié les personnes familiarisées avec le transport, l'installation, la mise en service et l'exploitation des entraînements électriques:

- Transport, stockage, déballage : uniquement réservés à un personnel avec des connaissances en matière de manipulation de composants sensibles à l'électricité statique.
- Installation mécanique : uniquement à un personnel avec une expertise mécanique.
- Installation électrique : uniquement à un personnel avec une expertise électrotechnique.
- Mise en service : uniquement par du personnel spécialisé ayant des connaissances étendues dans les domaines de l'électrotechnique et des systèmes d'entraînement

Le personnel qualifié doit connaître et respecter les normes ISO 12100, CEI 60364 et CEI 60664 ainsi que les réglementations nationales en matière de prévention des accidents.

Lecture de la documentation

Lisez la documentation fournie avant le montage et la mise en service. Une mauvaise manipulation des appareils peut entraîner des dommages aux personnes et aux biens. L'exploitant doit donc s'assurer que toutes les personnes auxquelles sont confiés des travaux sur le système d'entraînement ont bien lu le manuel d'utilisation, l'ont compris et que les instructions de sécurité de ce manuel sont respectées.

Contrôle de la version matérielle

Vérifiez le numéro de révision matérielle du produit (voir étiquette du produit). Le numéro de révision matérielle du MKD-C et du MKD-N peut être différent. Ce numéro est le lien entre votre produit et le manuel. Ce numéro de révision matérielle du produit doit correspondre au numéro de révision matérielle indiqué sur la page de couverture du manuel.

Prise en compte des données techniques

Respectez les caractéristiques techniques et les indications relatives aux conditions de raccordement (plaque signalétique et documentation). Le dépassement des valeurs de tension ou d'intensité autorisées peut entraîner des dommages sur l'appareil. Un moteur inadapté ou un câblage incorrect risque d'endommager les composants du système. Vérifiez la combinaison du variateur et du moteur. Comparez la tension et l'intensité nominales des unités.

Analyse des risques

Le constructeur de la machine doit effectuer une analyse des risques liés à son équipement et prendre les mesures appropriées pour éviter que des mouvements imprévus ne provoquent des dommages aux personnes et aux biens. En fonction de l'analyse des risques, vous pouvez éventuellement donner des instructions supplémentaires au personnel spécialisé.

Le fabricant doit définir des contrôles périodiques des composants électriques et de l'application.

Redémarrage automatique !

Le variateur est susceptible de redémarrer automatiquement après la mise sous tension, une chute de tension ou une interruption de la tension d'alimentation, en fonction des paramètres définis. Il existe un risque de décès ou de blessures graves pour toute personne intervenant sur la machine. Si le paramètre DRV.ENDEFAULT d'un MKD-N est réglé sur 1, placez un panneau d'avertissement sur la machine (avertissement: redémarrage automatique à la mise sous tension) et veillez à ce que la machine ne puisse pas être mise sous tension tant que des personnes se trouvent dans la zone dangereuse de la machine. En cas d'utilisation d'un dispositif de protection contre les sous-tensions, il est nécessaire de respecter la norme EN 60204-1:2006, chapitre 7.5.



Composants sensibles aux décharges électrostatiques

Les appareils contiennent des composants sensibles à l'électricité statique, qui peuvent être endommagés par des manipulations inadéquates. Evacuez la charge électrostatique de votre corps avant de toucher l'appareil. Évitez de toucher des matériaux hautement isolants (fibres artificielles, film plastique, etc.). Posez l'appareil sur une surface conductrice.

Surface chaude



Les surfaces des variateurs peuvent devenir très chaudes pendant le fonctionnement. Le dissipateur thermique peut atteindre des températures supérieures à 80°C. Risque de brûlures légères. Mesurez la température et attendez que le dissipateur thermique soit redescendu en-dessous de 40°C avant de le toucher.

Mise à la terre



Assurez-vous de la mise à la terre correcte du variateur, avec le profilé PE de l'armoire électrique comme potentiel de référence. Risque de choc électrique. Faute d'une mise à la terre de faible impédance, la sécurité des personnes n'est pas assurée et il existe un risque de choc électrique pouvant être mortel.

Courant de fuite

Étant donné que le courant de fuite via le conducteur PE est supérieur à 3,5 mA, conformément à CEI 61800-5-1, le raccordement du conducteur PE doit être doublé, ou un câble de connexion avec une section supérieure à 10 mm² doit être utilisé. Des mesures différentes conformes aux normes régionales peuvent être appliquées.

Dispositifs de surveillance ou de protection à courant résiduel !

Le MKD-C avec MKD-N peut provoquer un courant c.c. dans le conducteur de terre de protection. Pour la protection en cas de contact direct ou indirect, seul un dispositif RCD ou RCM de type B est autorisé côté alimentation du MKD-C.

Tensions mortelles !



L'équipement produit des tensions électriques élevées pouvant atteindre 900 V. Il existe un danger mortel au niveau des composants sous tension de l'appareil. N'ouvrez ou ne touchez pas l'équipement pendant son fonctionnement. Toutes les portes de l'armoire IP 54 doivent rester fermées pendant le fonctionnement. Les dispositifs de protection intégrés, tels qu'une isolation ou un blindage, ne peuvent pas être retirés. Les travaux sur l'installation électrique ne doivent être effectués qu'avec une alimentation secteur coupée et sécurisée contre tout redémarrage. Ne débranchez jamais les connexions électriques du MKD pendant qu'il est sous tension. Il existe un risque de formation d'arc électrique pouvant entraîner une détérioration des contacts et des blessures. Une fois le produit déconnecté des tensions d'alimentation, attendez au moins 5 minutes avant de toucher des sections de l'équipement susceptibles d'être conductrices ou de débrancher les connexions. Assurez-vous que le couvercle de la liaison bus CC est installé sur le dernier MKD-N avant de mettre sous tension.

Pollution sonore élevée!



Les ventilateurs génèrent du bruit jusqu'à 90 dBA lorsqu'ils fonctionnent à pleine charge. Cela peut endommager l'audience. Gardez les portes de l'armoire fermées pendant le fonctionnement. Utilisez une protection auditive si l'armoire de commande doit être ouverte pendant le fonctionnement normal. L'opérateur doit fournir une protection auditive et surveiller son utilisation en fonction du niveau d'exposition au bruit quotidien déterminé.

Sécurité fonctionnelle

La mise en œuvre de la sécurité STO du MKD est certifiée. L'entrée d'interruption de freinage peut être utilisée pour exécuter une fonction SBC. L'évaluation des fonctions de sécurité conformément à la norme EN 13849 ou EN 62061 doit être effectuée au final par l'utilisateur.

Interdiction de modifier les appareils

Il est interdit de modifier le matériel du variateur sans l'autorisation du fabricant. L'ouverture du boîtier entraîne une perte de garantie.

3.2.2 Utilisation recommandée

Les alimentations MKD-C sont exclusivement prévues pour commander les modules de servovariateur MKD-N dans une armoire et des servovariateurs AKD-N décentralisés.

Les servovariateurs MKD-N sont exclusivement destinés à l'entraînement de servomoteurs synchrones appropriés avec asservissement du couple, de la vitesse et/ou de la position.

Les modules systèmes MKD sont des composants montés sur des machines ou des installations électriques et peuvent être exploités uniquement en tant que composants intégrés de ces installations ou machines. Le fabricant de l'appareil doit procéder à une évaluation des risques pour l'appareil. L'utilisation du variateur est interdite tant que la conformité de la machine ou de l'installation aux directives régionales n'a pas été établie.

Système de variateur multi-axe Kollmorgen

Le MKD ne doit être utilisé que dans un système de mouvement avec des composants Kollmorgen. Les composants Kollmorgen supplémentaires requis sont les selfs secteur, les câbles de chaîne hybrides, les câbles moteur hybride, les câbles d'alimentation moteur et de rétroaction ainsi que les servomoteurs.

Montage

Les modules MKD ne doivent être utilisés que dans des environnements adaptés aux conditions ambiantes définies dans (→ # 51).

Câblage

N'utilisez que des câbles Kollmorgen pour connecter les composants du système.

Alimentation

Le **MKD-C** doit être alimenté par un réseau industriel triphasé (courant nominal symétrique maximum de 42 kA à 400 V et 480 V) via une self secteur 3L.

Les variateurs **MKD-N** doivent être alimentés par des modules d'alimentation intelligents MKD-C présentant une tension c.c. comprise entre 55 et 800 V c.c.

Fusibles

Les dispositifs doivent être utilisés avec une protection par fusible pour éviter les surcharges électriques.

Tension nominale du moteur

La tension nominale des moteurs doit être supérieure ou égale à la tension de la liaison de bus c.c. divisée par $\sqrt{2}$ générée par le variateur ($U_{nMoteur} \geq U_{c.c.}/\sqrt{2}$).

En cas d'installations groupées et de variateurs c.c.

AVIS

Le MKD-C n'a pas été approuvé par Kollmorgen, UL ou TÜV pour des installations groupées et aucune valeur nominale n'a été définie pour la tension d'entrée c.c.

Tension d'alimentation auxiliaire, alimentation de veille

L'alimentation de veille des chaînes de variateurs ne doit être utilisée que pour alimenter les composants électroniques MKD-N. L'alimentation 24 V c.c. doit être conforme aux exigences PELV (EN 60204-1).

Suppression sûre du couple

Reportez-vous à la section "Utilisation recommandée" dans le chapitre STO (→ # 52) avant d'utiliser cette fonction de sécurité. L'alimentation 24 V c.c. pour l'alimentation STO globale doit être conforme aux exigences PELV (EN 60204-1).

3.2.3 Utilisation interdite

Toute utilisation autre que celle décrite dans le chapitre "Utilisation recommandée" n'est pas prévue et peut entraîner des dommages corporels et matériels.

Le système ne peut pas être utilisé

- avec des machines ne respectant pas les normes ou les réglementations nationales appropriées,
- pour entraîner des ascenseurs,
- dans des applications avec des courts-circuits opérationnels continus sur les contacts de résistance ballast externe,
- dans des applications avec des courts-circuits sur les contacts de liaison de bus c.c.

L'utilisation du dispositif dans les environnements suivants est également proscrite:

- Zones potentiellement explosives
- Environnements avec acides corrosifs et/ou conducteurs, solutions alcalines, huiles, vapeurs, poussières
- Navires ou applications offshore



Le câblage du système avec des câbles hybrides d'autres fabricants que Kollmorgen est interdit. Le remplacement des câbles ou connecteurs Kollmorgen est interdit.

3.2.4 Étiquettes d'avertissement

AVIS

Si des étiquettes sont endommagées, vous devez les remplacer immédiatement.

3.2.4.1 Avertissements apposés sur le produit

 <p>The minimum size of the protective earthing conductor shall comply with the local safety regulations for high protective earthing conductor current.</p>	 <p>Residual Voltage Wait 5 minutes after removing power before servicing.</p>
<p>Traduction: La taille minimale du conducteur de terre de protection doit respecter les normes de sécurité locales en matière de courant conducteur de mise à la terre haute protection.</p>	<p>Traduction: Tension résiduelle Attendez 5 minutes après la mise hors tension avant de procéder à l'entretien.</p>

Dans un système à supercondensateurs, le temps d'attente pour l'entretien peut augmenter. Sur la base de l'évaluation des risques, l'utilisateur doit apposer des étiquettes d'avertissement supplémentaires dans l'armoire de commande.

3.3 Gestion du cycle de vie du produit

3.3.1 Transport

Le transport des modules MKD doit se faire conformément à la norme CEI 61800-2:

- Le transport doit être effectué par du personnel qualifié, avec le variateur dans l'emballage recyclable d'origine du fabricant.
- Il convient d'éviter les chocs lors du transport.
- Vibrations/chocs: les modules MKD sont testés conformes à la classe environnementale 3M1 de la norme CEI 60721-3-2.
- La hauteur d'empilage maximum correspond à la hauteur de 8 cartons.
- Le transport doit être effectué dans les plages de températures spécifiées: -25 à +70 °C, variation de 20 K/heure maximum, classe 2K3.
- Le transport doit être effectué dans les conditions d'humidité spécifiées: humidité relative maximum de 95 %, sans condensation, classe 2K3.

AVIS

Les dispositifs contiennent des composants sensibles à l'électricité statique qui peuvent être endommagés par une manipulation incorrecte. Déchargez l'électricité statique de votre corps avant de toucher le dispositif. Évitez le contact avec des matériaux à haute isolation (fibres synthétiques, films plastique, etc.). Placez le dispositif sur une surface conductrice.

Si l'emballage est abîmé, vérifiez si l'unité présente des dommages visibles. Avertissez l'expéditeur et le fabricant des éventuels dommages constatés sur l'emballage ou le produit.

3.3.2 Emballage

L'emballage du MKD est composé d'un carton recyclable avec pièces et d'une étiquette sur la partie extérieure du boîtier.

Modèle	Dimensions de l'emballage (mm) H x l x L	Poids total (kg)
MKD-C003007	580 x 350 x 170	22,5
MKD-C001007-CA	580 x 350 x 170	22,5
MKD-N060007, MKD-N060607, MKD-N120007, MKD-N120607, MKD-N121207	580 x 350 x 110	8,5
MKD-N240007	580 x 350 x 110	9,5
MKD-N480007	580 x 350 x 140	11,5

3.3.3 Stockage

Le stockage des modules MKD doit se faire conformément à la norme CEI 61800-2:

- Le stockage doit être effectué uniquement dans l'emballage d'origine recyclable du fabricant.
- La hauteur d'empilage maximum correspond à la hauteur de 8 cartons.
- Le stockage doit être effectué dans les plages de températures spécifiées: -25 à +55 °C, variation de 20 K / heure maximum, classe 1K4.
- Le stockage doit être effectué dans les conditions d'humidité spécifiées: humidité relative entre 5 et 95 %, sans condensation, classe 1K3.
- Conservez le MKD conformément aux exigences en ce qui concerne la durée de stockage:
 - Moins d'un an: aucune restriction.
 - Plus d'un an: les condensateurs du MKD-C doivent être reformés avant de configurer et de faire fonctionner le système. Les procédures de reformage sont décrites sur le site du réseau de développeurs Kollmorgen ([Forming](#)).

3.3.4 Installation, configuration et fonctionnement normal

Ce manuel fournit des informations sur l'installation et la configuration:

- Installation mécanique (→ # 53)
- Installation électrique (→ # 54)
- Configuration (→ # 55)

Fonctionnement normal testé pour la classe environnementale 3K3 suivant la norme CEI 61800-2 (→ # 51).

Le fabricant de la machine définit l'expertise requise de l'utilisateur final en fonction de l'évaluation des risques pour la machine et décrit les exigences pour un fonctionnement normal en fonction de l'application.

3.3.5 Mise hors service

AVIS

Seuls des spécialistes en électrotechnique sont habilités à mettre des composants du système hors service.

DANGER: Tension mortelle !

Il ya un risque de blessures graves ou la mort par choc électrique et de formation d'arc électrique.

- Coupez l'interrupteur principal de l'armoire de commande.
- Protégez le système contre toute remise en marche.
- Bloquez l'interrupteur principal..
- Attendez au moins 5 minutes.

3.3.6 Maintenance et nettoyage

L'appareil ne requiert aucune maintenance. Le fait d'ouvrir l'appareils annule la garantie. L'intérieur de l'unité ne peut être nettoyé que par le fabricant.

AVIS

N'immergez ou ne pulvérisez pas le dispositif . Évitez toute pénétration de liquides dans l'appareil.

Pour nettoyer l'extérieur d'appareil :

1. Mettez l'appareil hors service (reportez-vous au chapitre 3.3.5 "Mise hors service").
2. Carter : nettoyez avec de l'isopropanol ou une solution de nettoyage similaire.

ATTENTION : Facilement inflammable ! Risque de blessure par déflagration et d'incendie.

- Respectez les consignes de sécurité figurant sur l'emballage du produit de nettoyage.
 - Après le nettoyage, patientez au moins 30min. avant de remettre l'appareil en service.
3. Grille de protection du ventilateur : nettoyez à l'aide d'une brosse à sec.

3.3.7 Désinstallation

AVIS

Seuls des spécialistes en électrotechnique sont habilités à remplacer les composants du système.

1. Mettez l'appareil hors service (reportez-vous au chapitre 3.3.5 "Mise hors service").
2. Vérifiez la température.

ATTENTION: Haute température! Risque de brûlures légères. Pendant le fonctionnement, le dissipateur thermique peut atteindre des températures supérieures à 80 °C. Avant de toucher le variateur, vérifiez la température et attendez qu'elle soit redescendue au-dessous de 40 °C.

3. Retirez les connecteurs. Déconnectez la prise de terre en dernier le cas échéant.
4. Démontage : desserrez les vis de fixation et retirez l'appareil.

3.3.8 Réparation

AVIS

Seuls des spécialistes en électrotechnique sont habilités à remplacer les composants du système.

ATTENTION: Démarrage automatique ! Lors d'opérations de remplacement, une combinaison de dangers et de plusieurs événements peut se produire.

- Seul du personnel dûment formé et qualifié est habilité à travailler sur l'installation électrique, conformément aux réglementations sur la sécurité au travail, et uniquement en utilisant l'équipement de protection personnelle prescrit.

Remplacement l'appareil

Seul le fabricant est habilité à réparer l'appareil. Le fait d'ouvrir l'appareil annule la garantie.

1. Mettez l'appareil hors service (reportez-vous au chapitre 3.3.5 "Mise hors service").
2. Désinstallation d'appareil (voir chapitre 3.3.7 "Désinstallation").
3. Renvoyez l'appareil au fabricant.
4. Installez un nouvel appareil conformément aux instructions de Manuel d'Instructions.
5. Mettez le système en service, conformément aux instructions de Manuel d'Instructions.

Remplacement d'autres éléments du système d'entraînement

S'il s'avère nécessaire de remplacer des éléments du système d'entraînement (par exemple, des câbles), procédez comme suit:

1. Mettez l'appareil hors service (reportez-vous au chapitre 3.3.5 "Mise hors service").
2. Remplacez les éléments.
3. Vérifiez si toutes les connexions sont bien en place.
4. Mettez le système en service, conformément aux instructions de Manuel d'Instructions.

3.3.9 Mise au rebut

AVIS

Pour une mise au rebut conforme de l'appareil, adressez-vous à une société certifiée de recyclage de déchets électroniques.

Conformément à la directive WEEE-2012/19/CE ou réglementation similaire, le fabricant accepte le retour d'appareils ou d'accessoires usagés pour une mise au rebut professionnelle. Les frais de transport incombent à l'expéditeur.

Contactez Kollmorgen et de clarifier la logistique.

Envoyez les appareils dans son emballage d'origine aux adresses du fabricant affichées dans le tableau ci-dessous.

North America KOLLMORGEN 201 West Rock Road Radford, VA 24141, USA	South America KOLLMORGEN Avenida João Paulo Ablas, 2970 Jardim da Glória, Cotia – SP CEP 06711-250, Brazil
Europe KOLLMORGEN Europe GmbH Pempelfurtstr. 1 40880 Ratingen, Germany	Asia KOLLMORGEN Room 302, Building 5, Lihpao Plaza, 88 Shenbin Road, Minhang District, Shanghai, China.

3.4 Description et caractéristiques techniques et générales

3.4.1 Éléments du coffret

Modules MKD disponibles

Variante	Description	Puissance	Remarques
MKD-C003007-NAEC	Alimentation centrale	30 kW	Standard
MKD-C001007-CAEC	Alimentation centrale	10 kW	Condensateur externe
MKD-N060007-DSEC	Module de variateur	2,5 kW	Mono-axe, 6 A
MKD-N060607-DSEC	Module de variateur	5 kW	Doubles axes, 2 x 6 A
MKD-N120007-DSEC	Module de variateur	5 kW	Mono-axe, 12 A
MKD-N120607-DSEC	Module de variateur	7,5 kW	Doubles axes, 12 A + 6 A
MKD-N121207-DSEC	Module de variateur	10 kW	Doubles axes, 2 x 12 A
MKD-N240007-DSEC	Module de variateur	10 kW	Mono-axe, 24 A
MKD-N480007-DSEC	Module de variateur	20 kW	Mono-axe, 48 A

Lors de la commande d'un module MKD, les éléments suivants sont inclus dans le coffret:

Coffret MKD-C:

- Le module commandé proprement dit
- Version imprimée du *guide de sécurité du MKD*
- DVD contenant le logiciel de configuration, WorkBench, ainsi que l'ensemble de la documentation du produit au format numérique
- Connecteurs homologues MKD-C: X12, X13, X14, X15, X16, X25
- Un couvercle de liaison de bus c.c. MKD-N
- Deux couvercles de connecteur M23 pour l'AKD-N

INFORMATION

Les couvercles de connecteur M23 sont obligatoires pour protéger X2 du dernier AKD-N dans les chaînes.

Coffret MKD-N:

- Le module commandé proprement dit
- MKD-N Fiche technique
- Connecteurs homologues MKD-N: X9, X24, X26

Accessoires:

Les accessoires doivent être commandés séparément, si nécessaire.

Accessoires de l'AKD-N, voir le *manuel des accessoires régional* ou le *manuel d'installation de l'AKD-N*.

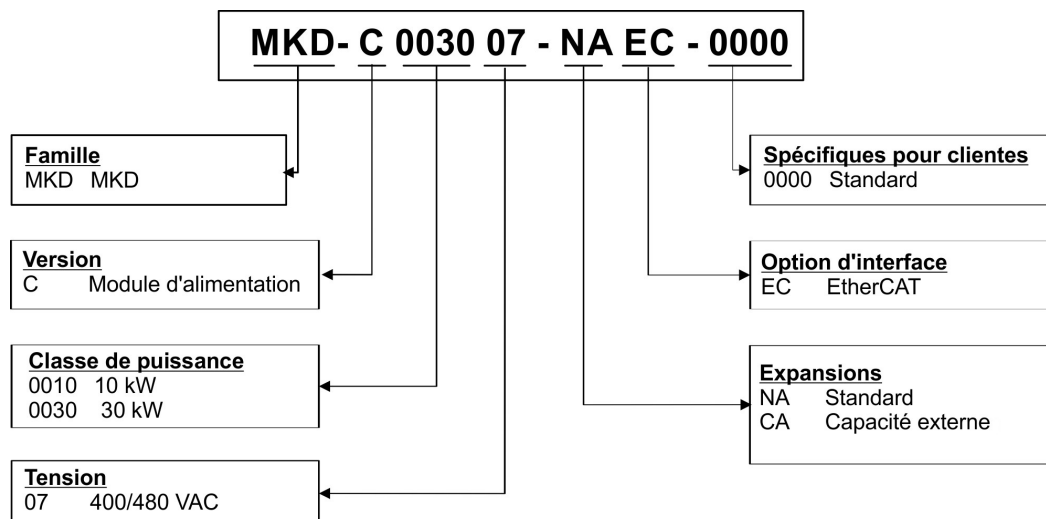
Pièces de rechange

Description	Connecteurs inclus	Code de commande
Kit de connexion	X12, X13, X14, X15, X16, X25	MKD-C-ConKit
Kit de connexion	X9A, X24A, X26A	MKD-N-ConKit Axis A
Kit de connexion	X9B, X24B, X26B	MKD-N-ConKit Axis B
Connecteur 6...12A	X29A (6 pin, plaque de blindage, etc.)	CON-MKD-N-06-12-X29A
Connecteur 6...12A	X29B (6 pin, plaque de blindage, etc.)	CON-MKD-N-X29B
Connecteur 24...48A	X29A (4 pin, plaque de blindage, etc.)	CON-MKD-N-24-48-X29A
Connecteur 24...48A	X30A (2 pin)	CON-MKD-N-X30A

3.4.2 Tableau des références

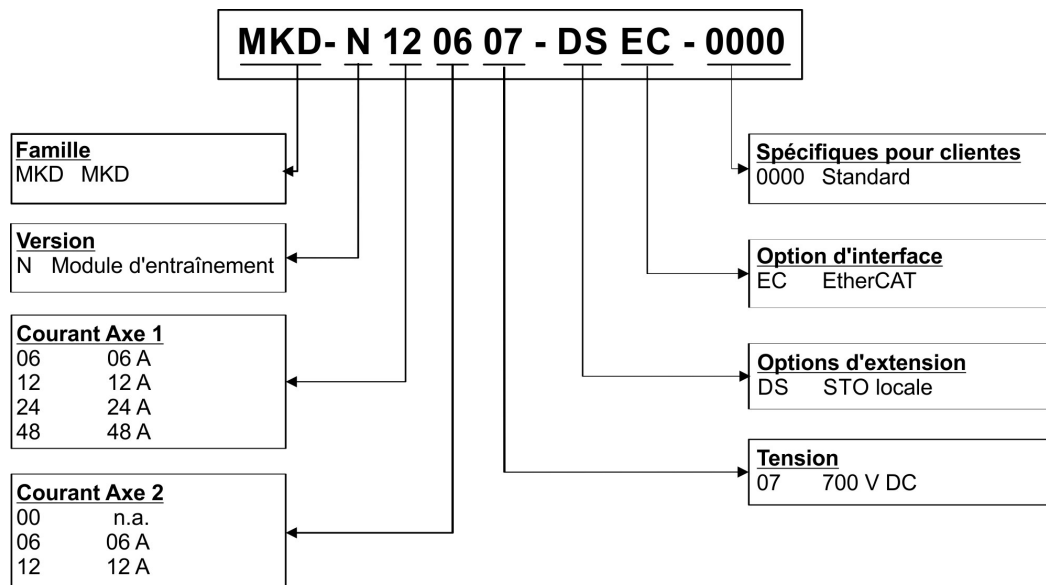
Utilisez le tableau des références uniquement à des fins d'identification des produits et non pour le traitement des commandes, car toutes les combinaisons de fonctionnalités ne sont pas toujours possibles.

3.4.2.1 Modules MKD-C



Code de personnalisation codage pour les éléments spécifiques au client (ne concerne pas la sécurité fonctionnelle).

3.4.2.2 Modules MKD-N



Code de personnalisation codage pour les éléments spécifiques au client (ne concerne pas la sécurité fonctionnelle).


3.4.3 Caractéristiques mécaniques

INFORMATION Caractéristiques mécaniques (→ # 133)

3.4.4 Caractéristiques électriques

INFORMATION Caractéristiques électriques (→ # 131)

3.4.5 Conditions ambiantes en fonctionnement normal

Stockage, transport	(→ #46)
Fonctionnement normal	Classe environnementale 3K3 suivant la norme CEI 61800-2.
Température ambiante en fonctionnement	0 à +40 °C dans des conditions nominales. +40 à +55 °C avec déclassement de courant de 4 % par °C.
Humidité en fonctionnement	Humidité relative 5 à 85 %, sans condensation, classe 3K3.
Altitude du site	≤ 1 000 mètres au-dessus du niveau de la mer sans restriction. 1 000 à max. 2 000 m au-dessus du niveau de la mer avec déclassement de puissance de 1,5 %/100 m.
Niveau de pollution	Niveau de pollution 2 suivant la norme CEI 60664-1.
Vibrations	Classe 3M1 suivant la norme CEI 60721-3-3.
Zone environnementale	Armoire IP 54 suivant la norme CEI 60529.
Position de montage	Verticale.
Aération	Ventilateur intégré.
 ATTENTION	Emission de bruit! Bruit continu jusqu'à 90 dBA pendant le fonctionnement avec une charge maximale. Gardez les portes des armoires fermées pendant le fonctionnement. Il est obligatoire d'utiliser une protection auditive si les portes de l'armoire doivent être ouvertes pendant le fonctionnement normal.
AVIS	Le dispositif s'arrête si la température est trop élevée dans l'armoire de commande. Veillez à ce que la ventilation forcée soit suffisante dans l'armoire de commande.

3.4.6 Limites du système

Longueur de chaîne 2/3	Max. 100 m de câble au total par chaîne.
Nombre de MKD-C	Limité par le protocole du bus de terrain.
Nombre d'axes MKD-N	Max. 14 axes pour la chaîne 1, 28 axes max. au total si les chaînes 1 et 2 sont combinées (respectez la puissance totale et les restrictions en matière de courant).
Nombre d'AKD-N	Max. 14 par chaîne, 28 max. au total sur les chaînes 2 et 3 (respectez la puissance totale et les restrictions en matière de courant).
Global STO (chaîne 2/3): Nombre d'AKD-N	<ul style="list-style-type: none"> ● AKD-N Hardware Rev. A / B: 8 AKD-N ● AKD-N Hardware Rev. A / B avec buffer: 14 AKD-N ● AKD-N Hardware Rev. C: 14 AKD-N
Courant de sortie	Utilisez le facteur de coïncidence des axes pour la distribution et l'optimisation de l'alimentation du système. Chaîne 1: 43 A, chaîne 2: 16 A, chaîne 3: 16 A
Puissance totale	565 V à 680 V avec limitation à 30 kW.
Puissance de la chaîne 2/3	565 V à 680 V avec limitation à 10 kW par chaîne.
Puissance de la chaîne en veille	55 V avec limitation à 180 kW par chaîne.
Puissance du frein moteur	Vous pouvez contrôler jusqu'à 3 freins moteur par chaîne. La puissance disponible pour les freins est de 76 W par chaîne (= 3,2 A à 24 V c.c.).
Interface de service X18	Ethernet TCP/IP, 100 Mbits/s, distance câble max. 100 m

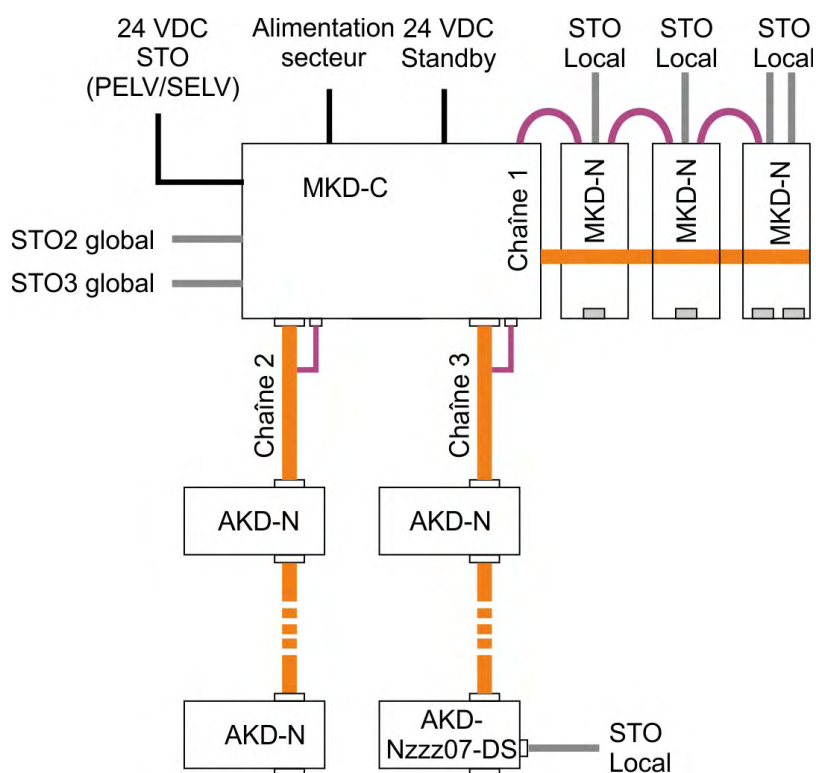
3.5 Fonction de suppression sûre du couple (STO)

La mise en œuvre de la sécurité STO sur le MKD est certifiée. La mise en œuvre du circuit de sécurité utilisé pour la fonction de sécurité "Safe Torque Off" du variateur convient pour SIL 2 conformément à la norme CEI 62061 et PLd / CAT3 conformément à la norme ISO 13849-1.

INFO

Reportez-vous au MKDmanuel d'installation du pour des informations complètes sur la sécurité fonctionnelle.

Il est possible d'atteindre les propriétés de sécurité indiquées par Kollmorgen et énumérées dans l'annexe (→ # 154) si les composants Kollmorgen sont utilisés. La classification de la sécurité fonctionnelle qui en résulte (niveau SIL et/ou PL) doit être déterminée au niveau du système de variateur.



- Connecteur MKD-C X16:
 - entrées STO global (chaîne 2/3) du système alimenté par ce MKD-C.
- Connecteur MKD-N X26:
 - entrée STO local (axe 1 et axe 2 en cas d'intégration) du module de variateur.
- Connecteurs AKD-N X6:
 - entrée STO local des modules de variateur AKD-N-DS/DT.

STO global

Il s'agit de l'entrée STO de chaque chaîne d'alimentation c.c. L'entrée STO de chaîne libère l'étage de sortie de puissance de tous les AKD-N (sans l'option DS/DT) connectés à la chaîne tant que le signal 24 V est appliqué à cette entrée.

STO local

L'entrée STO local libère l'étage de sortie de puissance de l'axe du variateur MKD-N tant qu'un signal 24 V est appliqué à cette entrée.

3.6 Installation mécanique

INFORMATION Dimensions et conseils de montage, voir (→ # 133) et le *manuel d'installation du MKD*.

3.6.1 Remarques importantes

AVIS

Les dispositifs MKD-C et MKD-N ne doivent être montés que dans des armoires intégrant une protection de classe IP 54 conformément à la norme CEI 60529.



ATTENTION Courant de fuite élevé!

Il existe un risque de choc électrique avec des niveaux CEM élevés pouvant entraîner des blessures si une mise à la terre CEM appropriée n'a pas été effectuée pour le variateur (ou le moteur).

- N'utilisez pas de plaques de fixation recouvertes de peinture.
- Dans les cas défavorables, utilisez une bande de tissu de cuivre entre les boulons de mise à la terre et le potentiel de terre pour dériver le courant.

AVIS

Protégez le dispositif des contraintes inacceptables. En particulier, tâchez d'éviter la déformation des composants ou l'altération des distances d'isolement pendant le transport et la manipulation. Évitez tout contact avec les composants électroniques et les contacts.

AVIS

Les modules se mettront hors tension en cas de surchauffe. Assurez-vous que l'espace de montage est conforme aux exigences (→ # 51).

AVIS

Ne montez pas d'appareils produisant des champs magnétiques à proximité directe du dispositif. De forts champs magnétiques peuvent directement affecter les composants internes. Installez les appareils produisant un champ magnétique loin du MKD-C et/ou blindez les champs magnétiques.

3.6.2 Guide d'installation mécanique

Pour plus d'informations, reportez-vous au *manuel d'installation du MKD*. Les outils suivants sont requis (au minimum) pour installer les modules MKD-C et MKD-N modules ; des outils supplémentaires peuvent être nécessaires pour votre installation spécifique.

- Vis à tête cylindrique à six pans creux M4 (ISO 4762)
- Clé hexagonale en T 3 mm
- Tournevis cruciforme de taille 2
- Petit tournevis pour écrous à fente

Installez les modules de la façon suivante:

1. Préparez le site. Les modules MKD doivent être montés dans une armoire de commande fermée (→ # 51). Le site ne doit contenir aucun matériau conducteur ou corrosif.
2. Assurez une aération continue des modules et respectez la température ambiante autorisée (→ # 51). Laissez un espace libre suffisant au-dessus et sous les modules (→ # 133).
3. Si les systèmes de refroidissement sont utilisés pour l'armoire de commande, positionnez le système de refroidissement de manière à ce que l'eau de condensation ne puisse pas couler sur les modules ou les appareils périphériques.
4. Assemblez le module d'alimentation et les modules de variateur à proximité les uns des autres, sur la plaque de fixation conductrice mise à la terre dans l'armoire.
5. Raccordez à la terre les modules, la plaque de fixation, le boîtier du moteur, la terre de l'alimentation 24 V et le composant CNC-GND du système de commande.

INFORMATION Pour l'installation mécanique de l'AKD-N sur la machine, reportez-vous au *manuel d'installation de l'AKD-N*.

3.7 Installation électrique

INFORMATION Présentation des connecteurs et du câblage, voir (→ # 135) et le *Manuel d'Installation*.

3.7.1 Remarques importantes

AVIS

Seuls des spécialistes en électrotechnique sont habilités à installer le système de variateur.



⚠ DANGER Haute tension jusqu'à 900 V!

Il ya un risque de blessures graves ou la mort par choc électrique et de formation d'arc électrique. Des tensions dangereuses peuvent persister dans les condensateurs jusqu'à 5 minutes après la mise hors tension. Les raccordements de commande et d'alimentation peuvent encore être sous tension, même si le moteur ne tourne pas.

- Vous ne devez procéder à l'installation et au câblage de l'appareil que lorsque celui-ci est hors tension.
- Veillez à ce que l'armoire soit déconnectée en toute sécurité (avec un système de verrouillage, des panneaux d'avertissement, etc.).
- Ne débranchez jamais les connexions électriques pendant qu'il est sous tension.
- Une fois le variateur déconnecté de l'alimentation principale, attendez au moins 5 minutes avant de toucher des sections de l'équipement susceptibles d'être conductrices ou de débrancher les connexions.
- Pour plus de sécurité, mesurez la tension dans la liaison de bus CC et attendez qu'elle soit inférieure à 50 V.
- Assurez-vous que le couvercle de la liaison bus CC MKD-N est installé sur le dernier MKD-N avant de mettre sous tension.

AVIS

Étant donné que le courant de fuite via le conducteur PE est supérieur à 3,5 mA, conformément à la norme CEI 61800-5-1, le raccordement du conducteur PE doit être doublé, ou un câble de connexion avec une section supérieure à 10 mm² doit être utilisé. Des mesures différentes conformes aux normes régionales peuvent être appliquées.

AVIS

Une mauvaise tension de liaison de bus c.c., un moteur non approprié ou un mauvais câblage peut détériorer les composants du système. Vérifiez la combinaison du variateur et du moteur. Comparez la tension et l'intensité nominales des unités. Réalisez le câblage conformément aux schémas de raccordement: (→ # 135).

3.7.2 Guide d'installation électrique

Pour plus d'informations, reportez-vous au *Manuel d'Installation du MKD*. Installez le système électrique du variateur de la façon suivante:

1. Sélectionnez les câbles conformément à la topologie système prévue, voir (→ # 51).
2. Respectez la longueur de câblage maximale définie (→ # 51).
3. Installez le blindage et mettez les composants du système à la terre, voir (→ # 139).
4. Câblez les composants du système. Respectez les recommandations pour la réduction du bruit engendré par les interférences électromagnétiques et connectez toutes les interfaces conformément aux schémas de câblage du *manuel d'installation*.
5. Vérifiez le câblage par rapport aux schémas de câblage du *manuel d'installation*.
6. Installer le lien de bus continu MKD-N à la dernière version de MKD-N.

INFORMATION Pour l'installation électrique de l'AKD-N sur la machine, voir *AKD-N Installation Manual*.

3.8 Configuration

INFORMATION

- Plus d'informations sur la sécurité fonctionnelle, voir *MKD Installation Manual*.
- Programmation des paramètres: voir l'aide en ligne WorkBench.
- La configuration du bus de terrain est décrite dans le manuel correspondant sur le DVD.

3.8.1 Remarques importantes

AVIS

Avant le test et la configuration, le fabricant de la machine doit effectuer une évaluation des risques pour celle-ci et prendre les mesures appropriées afin d'éviter tout dommage corporel ou matériel provoqué par un éventuel mouvement inopportun.

AVIS

Seul un personnel compétent disposant de connaissances approfondies dans les domaines du génie électrique et de la technologie de transmission est autorisé à tester et à configurer le variateur.



⚠ DANGER Tension létale!

Risque de choc électrique. Il existe un danger mortel au niveau des composants sous tension de l'appareil.

- Les dispositifs de protection intégrés, tels qu'une isolation ou un blindage, ne peuvent pas être retirés.
- Seul du personnel dûment formé et qualifié est habilité à travailler sur l'installation électrique, conformément aux réglementations sur la sécurité au travail, et uniquement lorsque l'alimentation secteur coupée et protégée contre tout redémarrage.



⚠ AVERTISSEMENT Redémarrage automatique!

Il existe un risque de blessures graves, voire mortelles, pour les personnes travaillant sur la machine. En fonction du paramétrage, l'entraînement peut redémarrer automatiquement après la mise sous tension, creux de tension ou interruption de la tension d'alimentation, en fonction de la valeur du paramètre. Lorsque le paramètre DRV.ENDEFAULT est défini sur 1,

- placez un panneau d'avertissement sur la machine (Avertissement : Redémarrage automatique après la mise en marche !) et
- assurez-vous qu'il n'est pas possible d'enclencher la tension d'alimentation pendant que des personnes se trouvent dans la machine.



⚠ ATTENTION Haute température!

Risque de brûlures légères. Le dissipateur thermique du variateur, lorsqu'il fonctionne, peut atteindre des températures allant jusqu'à 80°C.

- Vérifiez la température du dissipateur avant de manipuler le variateur.
- Patientez jusqu'à ce que le dissipateur thermique ait refroidi à une température de 40°C avant de le toucher.



⚠ ATTENTION Pollution sonore élevée!

Risque de dommages à l'audience. Les ventilateurs génèrent du bruit jusqu'à 90 dBA lorsqu'ils fonctionnent à pleine charge.

- Gardez les portes de l'armoire fermées pendant le fonctionnement.
- Utilisez une protection auditive si l'armoire de commande doit être ouverte pendant le fonctionnement normal.

AVIS

Si un dispositif a été stocké pendant plus d'un an, vous devez reformer les condensateurs dans le circuit bus c.c. Les procédures de reformage sont décrites sur KDN ([Forming](#)).

3.8.2 Test initial du système

Préparation

1. Déballiez les dispositifs et les accessoires. Lisez attentivement les consignes de sécurité indiquées dans la documentation.
2. Montez les dispositifs et câblez le système.
3. Validez l'installation mécanique et électrique.
4. Validez les adresses IP.
5. Assurez-vous que vous disposez des informations suivantes sur les composants du variateur:
 - Tension d'alimentation nominale
 - Modèle du moteur (données du moteur si son modèle ne figure pas dans la base de données du moteur)
 - Unité de rétroaction intégrée au moteur (modèle, pôles/lignes/protocole)
 - Moment d'inertie de la charge

Définition des adresses système

Nous suggérons d'utiliser Auto-IP. Réglez le commutateur rotatif S1 sur "0". Tous les périphériques réseau connectés reçoivent une adresse IP unique dans la plage 169.254.x.y.

WorkBench recherche l'adresse IP sur le sous-réseau pour détecter les dispositifs présents sur le LAN et établir la communication. Reportez-vous à l'aide en ligne de WorkBench pour plus d'informations.

Vérification des connexions

Enclenchez l'alimentation logique 24 V c.c. pour le système (la tension d'alimentation secteur n'est pas nécessaire pour les communications). Vérifiez que les DEL vertes de liaison sur le MKD-C et sur le PC sont allumées.

Même si cette icône de fonctionnalité limitée apparaît, le PC peut parfaitement communiquer avec le variateur. Toutefois, l'accès à Internet peut être limité dans certaines configurations PC. Vous pouvez à présent configurer le variateur et cette connexion en utilisant WorkBench.

Installation et démarrage de WorkBench

WorkBench est disponible sur le DVD accompagnant le variateur et sur le site Web de Kollmorgen: www.kollmorgen.com. Sélectionnez le fichier d'installation et suivez les instructions du programme d'installation.

Une fois l'installation terminée, cliquez sur l'icône WorkBench pour lancer le programme.

Paramétrage et activation des axes dans WorkBench

Reportez-vous à l'aide en ligne de WorkBench pour plus d'informations.

3.9 Dépannage du système MKD

En fonction des spécifications de votre application, différentes causes peuvent être à l'origine de problèmes du variateur. Les causes des erreurs dans les systèmes multi-axes peuvent s'avérer particulièrement complexes. Si vous ne parvenez pas à résoudre une erreur, le service client de Kollmorgen peut vous fournir une aide supplémentaire.

AVIS

Éliminez les erreurs et les pannes conformément aux règles relatives à la sécurité au travail. Seul un personnel dûment formé et qualifié peut procéder au dépannage.

INFORMATION

Consultez l'aide en ligne de WorkBench pour plus d'informations sur la suppression des erreurs.

4 Italiano

4.1	Informazioni generali	58
4.1.1	Note per la versione stampata (versione cartacea)	58
4.1.2	Simboli usati	59
4.2	Sicurezza dei prodotti	60
4.2.1	Prestare attenzione a quanto segue	60
4.2.2	Uso secondo le istruzioni	62
4.2.3	Uso vietato	63
4.2.4	Etichette di avvertimento	63
4.3	Gestione del ciclo di vita di un prodotto	64
4.3.1	Trasporto	64
4.3.2	Imballaggio	64
4.3.3	Conservazione	64
4.3.4	Installazione, configurazione e funzionamento normale	65
4.3.5	Messa fuori servizio	65
4.3.6	Manutenzione e pulizia	65
4.3.7	Smontaggio	65
4.3.8	Riparazione	66
4.3.9	Smaltimento	66
4.4	Descrizione tecnica e dati generali	67
4.4.1	Imballaggio fornito	67
4.4.2	Schema dei codici articolo	68
4.4.3	Dati meccanici	68
4.4.4	Dati sul sistema elettrico	68
4.4.5	Condizioni ambientali durante il funzionamento normale	69
4.4.6	Limiti del sistema	69
4.5	Funzione STO (Safe Torque Off)	70
4.6	Installazione meccanica	71
4.6.1	Note importanti	71
4.6.2	Guida all'installazione meccanica	71
4.7	Installazione elettrica	72
4.7.1	Note importanti	72
4.7.2	Guida all'installazione elettrica	72
4.8	Configurazione	73
4.8.1	Note importanti	73
4.8.2	Test iniziale del sistema	74
4.9	Ricerca dei problemi nel sistema MKD	74

4.1 Informazioni generali

Il presente manuale, la guida per l'uso in sicurezza del prodotto (*MKD-C/N Product Safety Guide*), contiene le informazioni pertinenti relative all'installazione e alla configurazione in condizioni di sicurezza dei moduli del sistema del drive MKD, dell'alimentazione MKD-C e del servoamplificatore MKD-N.

INFORMAZIONI Per le informazioni complete fare riferimento al Manuale di installazione *MKD-C/N*, al *Manuale di installazione AKD-N* e agli ulteriori documenti Kollmorgen.

Le informazioni MKD per l'uso consistono in:

- *Manuale di installazione*: Questo documento descrive i moduli e include le informazioni necessarie per installare in sicurezza un sistema MKD.
- *La Guida in linea WorkBench*: descrive come usare il sistema nelle applicazioni comuni. Inoltre fornisce suggerimenti per ottimizzare le prestazioni del vostro sistema. La *Guida in linea* include la *Guida di riferimento dei parametri e dei comandi* che fornisce la documentazione relativa ai parametri e ai comandi usati per programmare il sistema.
- *Comunicazione EtherCAT*: descrive come usare il sistema nelle applicazioni EtherCAT.

Questi documenti sono disponibili sul DVD contenuto nella confezione del servoamplificatore. Tutti i documenti possono essere scaricati dal sito [Kollmorgen Developer Network](#).

4.1.1 Note per la versione stampata (versione cartacea)

A ogni prodotto è allegata una copia stampata del presente manuale. Per motivi ecologici, il documento stampato è stato ridotto al formato DIN A5.

INFORMAZIONI In caso di difficoltà a leggere il testo nel formato stampato ridotto, è possibile stampare e utilizzare la versione PDF in formato DIN A4 1:1. La versione PDF è memorizzata sul DVD del prodotto, oltre a essere disponibile sul sito Web di Kollmorgen.

4.1.2 Simboli usati

Simbolo	Indicazione
 PERICOLO	Indica una situazione pericolosa che, se non evitata, provoca morte o lesioni gravi.
 AVVERTENZA	Indica una situazione pericolosa che, se non evitata, provoca morte o lesioni gravi.
 ATTENZIONE	Indica una situazione pericolosa che, se non evitata, provoca lesioni non gravi o moderate.
AVVISO	Questo non è un simbolo di sicurezza. Questo simbolo indica una situazione pericolosa che, se non evitata, provoca danni materiali.
INFORMAZIONI	Questo non è un simbolo di sicurezza. Questo simbolo indica note importanti.
	Avviso di pericolo (generale). Il tipo di pericolo è specificato nel testo a fianco.
	Avviso di pericolo dovuto all'elettricità e ai suoi effetti.
	Avviso di pericolo per la presenza di superfici calde.
	Avviso di un carico sospeso.
	Avviso di riavvio automatico.

4.2 Sicurezza dei prodotti

4.2.1 Prestare attenzione a quanto segue

È richiesto l'intervento di personale specializzato!

Le operazioni di trasporto, installazione, messa in servizio e manutenzione possono essere effettuate unicamente da personale qualificato, che abbia familiarità con il trasporto, l'installazione, la messa in funzione e il funzionamento dei servoazionamenti.

- Trasporto, immagazzinamento, disimballaggio: unicamente a cura di personale con nozioni di movimentazione dei componenti sensibili alle cariche elettrostatiche.
- Installazione meccanica: unicamente a cura di personale esperto in meccanica.
- Installazione elettrica: unicamente a cura di personale esperto in elettrotecnica.
- Messa in servizio: solo da parte di personale qualificato con ampie conoscenze nei settori dell'elettrotecnica e dei sistemi di azionamento

Il personale qualificato deve conoscere e rispettare le norme ISO 12100, IEC 60364 e IEC 60664 e le disposizioni antinfortunistiche nazionali.

Leggere la documentazione

Prima di procedere al montaggio e alla messa in funzione leggere attentamente la presente documentazione. L'errata manipolazione del dispositivo può comportare danni a persone o a cose. L'operatore è quindi tenuto ad assicurarsi che tutto il personale addetto a lavori sugli sistema di guida abbia letto e compreso il manuale e che le indicazioni di sicurezza riportate nel manuale siano rispettate.

Controllare la revisione dell'hardware!

Controllare il numero di revisione dell'hardware del prodotto (vedere l'etichetta del prodotto). Il numero di revisione dell'hardware di MKD-C e MKD-N possono differire tra loro. Questo numero rappresenta il collegamento fra il vostro prodotto e il manuale. Il numero di revisione dell'hardware del prodotto deve corrispondere a quello riportato sulla copertina del manuale.

Rispettare i dati tecnici

Osservare i dati tecnici e le indicazioni sulle condizioni di collegamento (targhetta di omologazione e documentazione). Se si superano i valori di tensione e di corrente ammessi, i servoamplificatori possono essere danneggiati. Un motore inadeguato o un cablaggio non adatto possono danneggiare i componenti del sistema. Controllare la combinazione di servoamplificatore e motore. Confrontare la tensione e la corrente nominali delle unità.

Eseguire un'analisi dei rischi

Il produttore della macchina è tenuto a realizzare un'analisi dei rischi per il macchinario e ad adottare le misure necessarie affinché eventuali movimenti imprevisti non causino lesioni o danni a persone o cose. L'analisi dei rischi potrebbe comportare la necessità di ulteriori requisiti per il personale tecnico.

Il produttore deve stabilire controlli periodici dei componenti elettrici e dell'applicazione.

Riavvio automatico!

Il servoamplificatore potrebbe riavviarsi automaticamente dopo un ripristino dell'alimentazione, un calo di tensione o in seguito all'interruzione della tensione di alimentazione, in base all'impostazione dei parametri.

Rischio di morte o di lesioni gravi per il personale che opera nella macchina.

Se il parametro DRV.ENDEFAULT per un MKD-N è impostato su 1, è necessario fissare un segnale di avvertimento sulla macchina (Avvertimento: Riavvio automatico al ripristino dell'alimentazione) e assicurarsi che non sia possibile ripristinare l'alimentazione fintantoché ci sono delle persone nell'area pericolosa della macchina. Se si utilizza un dispositivo di protezione contro la sottotensione, è necessario rispettare il capitolo 7.5 della norma EN 60204-1:2006.



Componenti sensibili alle scariche elettrostatiche

Gli dispositivi contengono elementi sensibili alle scariche elettrostatiche, che possono danneggiarsi in caso di uso improprio. Scaricare l'elettricità statica dal corpo prima di toccare del dispositivo. Evitare il contatto con materiali altamente isolanti (fibre sintetiche, pellicole in materie plastiche e così via). Collocare il dispositivo su una superficie conduttiva.

Superfici calde



In corso di funzionamento le superfici degli amplificatori possono surriscaldarsi. Il dissipatore di calore può raggiungere temperature superiori agli 80°C. Pericolo di ustioni lievi. Misurare la temperatura e attendere che il dissipatore abbia raggiunto i 40°C prima di toccarlo.

Messa a terra



Assicurare la regolare messa a terra del dispositivo con la bandella PE all'interno dell'armadio di distribuzione come potenziale di riferimento. Sussiste il pericolo di scosse elettriche. Senza una messa a terra a bassa impedenza non viene garantita la sicurezza personale e sussiste pericolo di morte per scosse elettriche.

Corrente di dispersione

Dato che la corrente di dispersione al PE è superiore a 3,5 mA, secondo IEC61800-5-1 il collegamento PE deve essere raddoppiato oppure si deve usare un cavo di collegamento con una sezione trasversale > 10 mm². Sono possibili misure divergenti a seconda degli standard regionali.

Dispositivi di monitoraggio o di protezione della corrente residua!

MKD-C con MKD-N possono creare una corrente c.c. nel conduttore di protezione della messa a terra. Se si usa un dispositivo di protezione basato sulla corrente residua (RCD) o di monitoraggio della stessa (RCM) per la protezione da contatti diretti o indiretti, sul lato dell'alimentazione del modello MKD-C è possibile usare solo un RCD o RCB di Tipo B.

Tensioni elettriche letali!



Il dispositivo produce alte tensioni elettriche fino a 900V. Pericolo di morte in prossimità di parti del dispositivo sotto tensione. Non aprire né toccare le apparecchiature durante il funzionamento. Tenere chiusi gli sportelli dell'armadio IP 54 durante il funzionamento. Le misure di protezione integrate come l'isolamento o la schermatura non possono essere rimosse. I lavori sull'impianto elettrico possono essere eseguiti solo con l'interruttore principale spento e protetto da un riavvio indesiderato. Non scollegare mai i collegamenti elettrici quando quest'ultimo è sotto tensione. Sussiste un pericolo di formazione di arco elettrico che può provocare danni ai contatti e lesioni personali. Dopo aver scollegato il prodotto dalle tensioni di alimentazione, attendere almeno 5 minuti prima di toccare le sezioni potenzialmente sotto tensione dell'attrezzatura o prima di staccare qualsiasi collegamento. Assicurarsi che il coperchio del collegamento del bus CC sia installato sull'ultimo MKD-N.

Elevato inquinamento acustico!



I ventilatori generano rumore fino a 90 dBA quando operano al massimo carico. Ciò può causare danni all'udito. Mantenere le porte dell'armadio chiuse durante il funzionamento. Utilizzare una protezione per le orecchie se il quadro di controllo deve essere aperto durante il normale funzionamento. L'operatore deve fornire protezione per l'udito e monitorarne l'utilizzo in base al livello di esposizione al rumore giornaliero determinato.

Sicurezza funzionale

L'implementazione della funzione di sicurezza STO sul MKD è certificata. Per realizzare una funzione SBC è possibile usare l'ingresso d'interruzione del freno. La verifica delle funzioni di sicurezza secondo le norme EN 13849 o EN 62061 deve essere eseguita alla fine dall'utente.

Non modificare gli apparecchi

Non è consentito modificare l'hardware del servoamplificatore senza l'autorizzazione del produttore. L'apertura dell'alloggiamento causa la perdita della garanzia.

4.2.2 Uso secondo le istruzioni

Le fonti di alimentazione delle serie MKD-C sono concepite esclusivamente per azionare i moduli del servoamplificatore MKD-N all'interno di un armadio e per servoamplificatori AKD-N decentralizzati.

La famiglia di servoamplificatori MKD-N è destinata esclusivamente all'azionamento di servomotori sincroni adeguati con controllo a ciclo chiuso di coppia, velocità e/o posizione.

I moduli del sistema MKD sono componenti incorporati in impianti o macchine elettrici e possono funzionare esclusivamente come componenti integrati di tali impianti o macchine. Il produttore del dispositivo deve produrre un'analisi dei rischi per il dispositivo. Non si deve usare il servoamplificatore finché non si è stabilito che la macchina o l'impianto soddisfa i requisiti delle normative regionali.

Il sistema del servoamplificatore multi asse Kollmorgen

MKD può essere azionato in un sistema di movimento con componenti di Kollmorgen. Componenti necessari aggiuntivi Kollmorgen sono le induttanze sull'alimentazione di rete, cavi di stringa ibridi, cavi del motore ibrido, cavi di alimentazione e di retroazione del motore, servomotori.

Montaggio

I moduli MKD possono essere utilizzati solo in ambienti idonei, che rispettano le condizioni ambientali stabilite in (→ # 69).

Cablaggio

Usare solo cavi Kollmorgen per collegare i componenti del sistema.

Alimentazione

MKD-C deve essere alimentato da una rete di alimentazione industriale trifase (non oltre la corrente nominale simmetrica da 42 kA a 400 V e 480 V) attraverso l'induttanza sull'alimentazione di rete 3L.

I servoamplificatori della serie **MKD-N** devono essere alimentati con moduli di alimentazione intelligente MKD-C con tensione CC da 55 VCC fino a 800 VCC.

Fusibili

I dispositivi devono essere azionati con fusibile di protezione contro il sovraccarico.

Limite di funzionamento per la tensione del motore

La tensione nominale dei motori deve essere almeno della stessa entità della tensione del DC-link divisa per $\sqrt{2}$ moltiplicata dal servoamplificatore ($U_{nMotore} \geq U_{DC}/\sqrt{2}$).

Nei casi di installazioni di gruppo e negli azionamenti con alimentazione CC

AVVISO

MKD-C non è stato valutato da Kollmorgen, UL o TÜV per le installazioni di gruppo né sono stati definiti i valori nominali per la tensione di ingresso in CC.

Tensione di alimentazione ausiliaria, energia in standby

L'energia in standby per le stringhe del servoamplificatore deve essere usata esclusivamente per l'alimentazione dell'elettronica di MKD-N. L'alimentazione a 24 VCC deve rispettare i requisiti PELV (EN 60204-1).

Funzione STO

Consultare la sezione "Uso secondo le istruzioni" contenuta nel capitolo STO (→ # 70) prima di usare questa funzione di sicurezza.

L'alimentazione a 24 VCC per l'alimentazione globale della STO deve rispettare i requisiti PELV (EN 60204-1).

4.2.3 Uso vietato

Un uso diverso da quanto descritto nel capitolo "Uso secondo le istruzioni" non è previsto e può provocare lesioni personali e danni materiali.

Non è opportuno usare il sistema

- con una macchina che non rispetta le pertinenti direttive o normative nazionali,
- per l'azionamento di elevatori,
- in applicazioni con corto circuiti continui, effettivi ai contatti esterni delle resistenze a recupero.
- in applicazioni con eventuali corto circuiti ai contatti dei collegamenti del Bus-CC.

Inoltre è vietato l'uso del dispositivo nei seguenti ambienti:

- zone potenzialmente esplosive
- ambienti con acidi corrosivi e/o elettricamente conduttivi, soluzioni alcaline, oli, vapori, polveri
- navi o applicazioni offshore



Cablare l'impianto con cavi ibridi di altri produttori diversi da Kollmorgen non è consentito. La sostituzione dei cavi o dei connettori Kollmorgen non è consentita.

4.2.4 Etichette di avvertimento

AVVISO

Se questi segnali sono danneggiati, devono essere sostituiti immediatamente.

4.2.4.1 Note inserite sul prodotto

	
<p>The minimum size of the protective earthing conductor shall comply with the local safety regulations for high protective earthing conductor current.</p>	<p>Residual Voltage Wait 5 minutes after removing power before servicing.</p>
<p>Traduzione: Le dimensioni minime del conduttore di protezione della messa a terra devono essere conformi alle norme locali in materia di sicurezza per corrente del conduttore di messa a terra di protezione elevata.</p>	<p>Traduzione: Tensione residua Attendere 5 minuti dopo lo scollegamento dell'alimentazione prima di eseguire interventi di manutenzione.</p>

In un sistema con supercondensatori, i tempi di attesa per la manutenzione possono aumentare. Sulla base della valutazione del rischio, l'utente deve applicare ulteriori etichette di avvertenza nel quadro elettrico.

4.3 Gestione del ciclo di vita di un prodotto

4.3.1 Trasporto

Trasportare i moduli MKD secondo IEC 61800-2 come segue:

- affidare il trasporto esclusivamente a personale qualificato, mantenere il dispositivo nell'imballaggio riciclabile originale del produttore
- evitare urti durante il trasporto
- Vibrazioni/Urto: MKD i moduli sono testati per la classe ambientale 3M1 del IEC 60721-3-2.
- Conservare a un'altezza di impilaggio massima pari o inferiore a 8 scatole
- trasportare soltanto entro intervalli di temperatura specifici: da -25 a +70 °C, max. tasso di variazione 20 K/ora, classe 2K3
- Trasportare solo entro le specifiche condizioni di umidità: umidità relativa massima del 95%, senza formazione di condensa, classe 2K3.

AVVISO

I dispositivi contengono componenti sensibili alle cariche elettrostatiche che possono danneggiarsi in caso di uso improprio. Eliminare le cariche elettrostatiche dal proprio corpo prima di toccare il dispositivo. Evitare il contatto con materiali altamente isolanti come tessuti artificiali o pellicole di plastica. Collocare il dispositivo su una superficie conduttiva.

Se l'imballaggio è danneggiato, controllare che l'unità non presenti danni visibili. Informare il trasportatore e il costruttore di qualsiasi danno eventuale all'imballaggio o al prodotto.

4.3.2 Imballaggio

L'imballaggio di MKD è composto da cartone riciclabile con inserti e un'etichetta all'esterno della scatola.

Modello	Dimensioni dell'imballaggio (mm) AXPXL	Peso totale (kg)
MKD-C003007	580 x 350 x 170	22,5
MKD-C001007-CA	580 x 350 x 170	22,5
MKD-N060007, MKD-N060607, MKD-N120007, MKD-N120607, MKD-N121207	580 x 350 x 110	8,5
MKD-N240007	580 x 350 x 110	9,5
MKD-N480007	580 x 350 x 140	11,5

4.3.3 Conservazione

Riporre i moduli MKD secondo IEC 61800-2 come segue:

- solo nell'imballaggio riciclabile originale del produttore.
- Conservare a un'altezza di impilaggio massima pari o inferiore a 8 scatole
- conservare soltanto entro intervalli di temperatura specifici: da -25 a +55 °C, tasso di variazione max. 20 K/ora, classe 1K4
- Conservare solo entro le specifiche condizioni di umidità: dal 5 al 95% di umidità relativa, senza la formazione di condensa, classe 1K3.
- Conservare il modello MKD secondo i seguenti requisiti di durata:
 - meno di 1 anno: senza restrizioni.
 - oltre 1 anno: i condensatori MKD-C devono essere rigenerati prima di configurare e mettere in funzione il sistema. Le procedure di rigenerazione sono descritte nella rete degli sviluppatori Kollmorgen ([Forming](#)).

4.3.4 Installazione, configurazione e funzionamento normale

Nella presente guida sono contenute le informazioni sull'installazione e sulla configurazione:

- Installazione meccanica (→ # 71)
- Installazione elettrica (→ # 72)
- Configurazione (→ # 73)

Funzionamento normale testato per la classe ambientale 3K3 secondo la norma IEC 61800-2 (→ # 69).

Il produttore del dispositivo stabilisce il livello di esperienza richiesta all'utente finale sulla base della valutazione del rischio del dispositivo e descrive i requisiti del funzionamento normale in base all'applicazione.

4.3.5 Messa fuori servizio

AVVISO

La messa fuori servizio di parti del sistema di azionamento può avvenire unicamente ad opera di personale qualificato specializzato in elettrotecnica.

PERICOLO: Tensione letale !

Vi è il rischio di lesioni gravi o morte da shock elettrico o di arco.

- Disinserire l'interruttore generale dell'armadio elettrico..
- Mettere in sicurezza il sistema per evitarne il riavvio accidentale.
- Bloccare l'interruttore principale.
- Attendere dopo aver scollegato il sistema almeno 5 minuti.

4.3.6 Manutenzione e pulizia

Lo strumento non necessitano di alcuna manutenzione. L'apertura degli strumenti comporta l'estinzione della validità della garanzia. La parte interna dell'unità può essere pulita soltanto dal costruttore.

AVVISO

Non immergere il strumento né spruzzare sulla sua superficie. Evitare l'ingresso di liquidi nel dispositivo.

Per pulire la parte esterna del servoamplificatore:

1. Messa fuori servizio del dispositivo (vedere il capitolo 4.3.5 "Messa fuori servizio").
2. Alloggiamento: pulire con isopropanolo o una soluzione detergente simile

ATTENZIONE : Facilmente infiammabile! Pericolo di lesioni da esplosione e incendio.

- Attenersi alle indicazioni di sicurezza riportate sulla confezione del detergente.
 - Dopo la pulizia attendere almeno 30 minuti prima di rimettere in funzione il dispositivo.
3. Griglia protettiva o ventola: pulire con una spazzola asciutta

4.3.7 Smontaggio

AVVISO

La sostituzione di componenti del sistema può essere svolta unicamente da personale specializzato con conoscenze nel campo dell'elettrotecnica.

1. Messa fuori servizio del dispositivo (vedere il capitolo 4.3.5 "Messa fuori servizio").
2. Controllare la temperatura.

ATTENZIONE: Alta temperatura! Pericolo di ustioni lievi. Durante il funzionamento, il dissipatore di calore del dispositivo può raggiungere temperature superiori a 80°C. Prima di toccare il dispositivo, controllarne la temperatura e attendere finché non è scesa sotto i 40°C.

3. Rimuovere i connettori. Scollegare il collegamento della terra potenziale per ultimo.
4. Smontaggio: Allentare le viti di fissaggio e rimuovere il dispositivo.

4.3.8 Riparazione

AVVISO

La sostituzione di componenti del sistema può essere svolta unicamente da personale specializzato con conoscenze nel campo dell'elettrotecnica.

ATTENZIONE: Avvio automatico! Durante le operazioni di sostituzione può verificarsi una combinazione di pericoli ed eventi diversi.

- I lavori sull'impianto elettrico possono essere eseguiti unicamente da personale qualificato e debitamente addestrato, nel rispetto della normativa vigente in materia di sicurezza sul lavoro e utilizzando le attrezzature di protezione personale prescritte.

Sostituzione del dispositivo

La riparazione del dispositivo può essere effettuata solo dal costruttore. L'apertura del dispositivo comporta l'annullamento della garanzia.

1. Messa fuori servizio del dispositivo (vedere il capitolo 4.3.5 "Messa fuori servizio").
2. Smontare il dispositivo (vedi capitolo 4.3.7 "Smontaggio").
3. Inviare il dispositivo al costruttore.
4. Installare un nuovo dispositivo come descritto nel Manuale d'Istruzioni.
5. Mettere in funzione il sistema come descritto nel prManuale d'Istruzioni.

Sostituzione di altri componenti del sistema di azionamento

Se occorre sostituire componenti del sistema di azionamento (ad esempio cavi) procedere come segue:

1. Messa fuori servizio del dispositivo (vedere il capitolo 4.3.5 "Messa fuori servizio").
2. Sostituire i componenti.
3. Verificare che tutti i collegamenti ad innesto siano correttamente in posizione.
4. Mettere in funzione il sistema come descritto nel Manuale d'Istruzioni.

4.3.9 Smaltimento

AVVISO

Per il corretto smaltimento del dispositivo rivolgersi ad un ente certificato per il recupero dei rifiuti di apparecchiature elettroniche.

In conformità alle linee guida della direttiva 2012/19/CE (RAEE) e simili, il costruttore accetta la restituzione di vecchi dispositivi ed accessori per uno smaltimento professionale. I costi di trasporto sono a carico del mittente.

Contattare Kollmorgen e chiarire la logistica.

Spedire i dispositivi utilizzando la confezione originale all'indirizzo del costruttore:

North America KOLLMORGEN 201 West Rock Road Radford, VA 24141, USA	South America KOLLMORGEN Avenida João Paulo Ablas, 2970 Jardim da Glória, Cotia – SP CEP 06711-250, Brazil
Europe KOLLMORGEN Europe GmbH Pempelfurtstr. 1 40880 Ratingen, Germany	Asia KOLLMORGEN Room 302, Building 5, Lihpao Plaza, 88 Shenbin Road, Minhang District, Shanghai, China.

4.4 Descrizione tecnica e dati generali

4.4.1 Imballaggio fornito

Moduli MKD disponibili

Variante	Descrizione	Alimentazione	Commenti
MKD-C003007-NAEC	Alimentazione elettrica centrale	30 kW	Standard
MKD-C001007-CAEC		10 kW	Condensatore esterno
MKD-N060007-DSEC	Modulo del servoamplificatore	2,5 kW	Monoasse, 6A
MKD-N060607-DSEC		5 kW	Doppio asse, 2 x 6A
MKD-N120007-DSEC		5 kW	Monoasse, 12A
MKD-N120607-DSEC		7,5 kW	Doppio asse, 12A+ 6A
MKD-N121207-DSEC		10 kW	Doppio asse, 2 x 12A
MKD-N240007-DSEC		10 kW	Monoasse, 24A
MKD-N480007-DSEC		20 kW	Monoasse, 48A

Quando si ordina un modulo MKD nella confezione sono inclusi i seguenti articoli:

Confezione MKD-C:

- Il modulo ordinato
- Copia cartacea della *Guida sulla sicurezza del prodotto MKD*
- DVD contenente il software di configurazione, WorkBench, e tutta la documentazione relativa al prodotto in formato digitale
- Connettori MKD-C: X12, X13, X14, X15, X16, X25
- Un coperchio del bus DC-link del MKD-N
- Due coperchi M23 dei connettori per AKD-N

INFORMAZIONI

I coperchi M23 dei connettori sono necessari per proteggere X2 dell'ultimo AKD-N nelle stringhe.

Confezione MKD-N:

- Il modulo ordinato
- MKD-N Scheda tecnica
- Connettori MKD-N: X9, X24, X26

Accessori:

Gli accessori devono essere ordinati separatamente, se richiesto.

Per gli accessori dell'AKD-N consultare il *Manuale accessori* regionale o il *Manuale di installazione dell'AKD-N*.

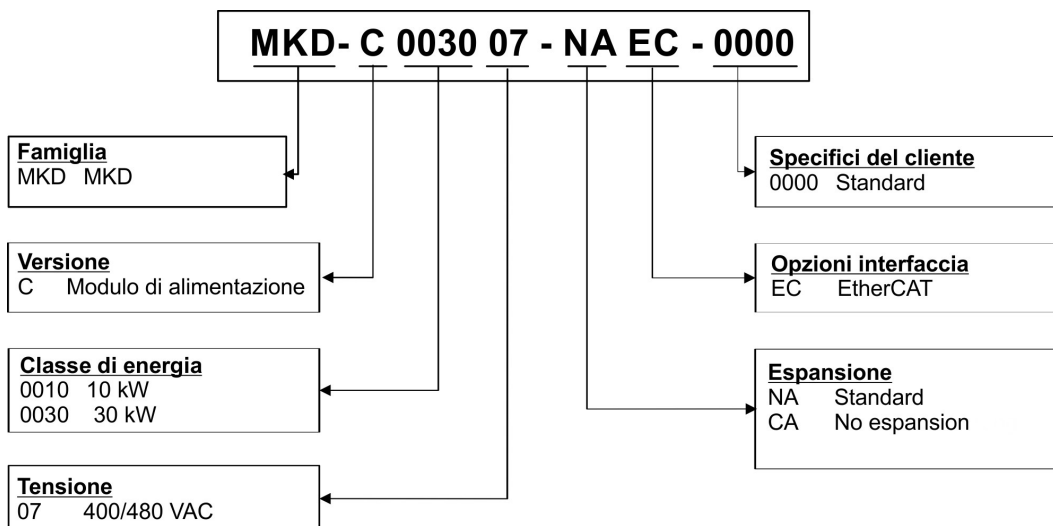
Pezzi di ricambio

Descrizione	Connettori inclusi	Codice d'ordine
Kit di connettori	X12, X13, X14, X15, X16, X25	MKD-C-ConKit
Kit di connettori	X9A, X24A, X26A	MKD-N-ConKit Axis A
Kit di connettori	X9B, X24B, X26B	MKD-N-ConKit Axis B
Connettore 6...12A	X29A (6 pin, piastra di schermatura ecc.)	CON-MKD-N-06-12-X29A
Connettore 6...12A	X29B (6 pin, piastra di schermatura ecc.)	CON-MKD-N-X29B
Connettore 24...48A	X29A (4 pin, piastra di schermatura ecc.)	CON-MKD-N-24-48-X29A
Connettore 24...48A	X30A (2 pin)	CON-MKD-N-X30A

4.4.2 Schema dei codici articolo

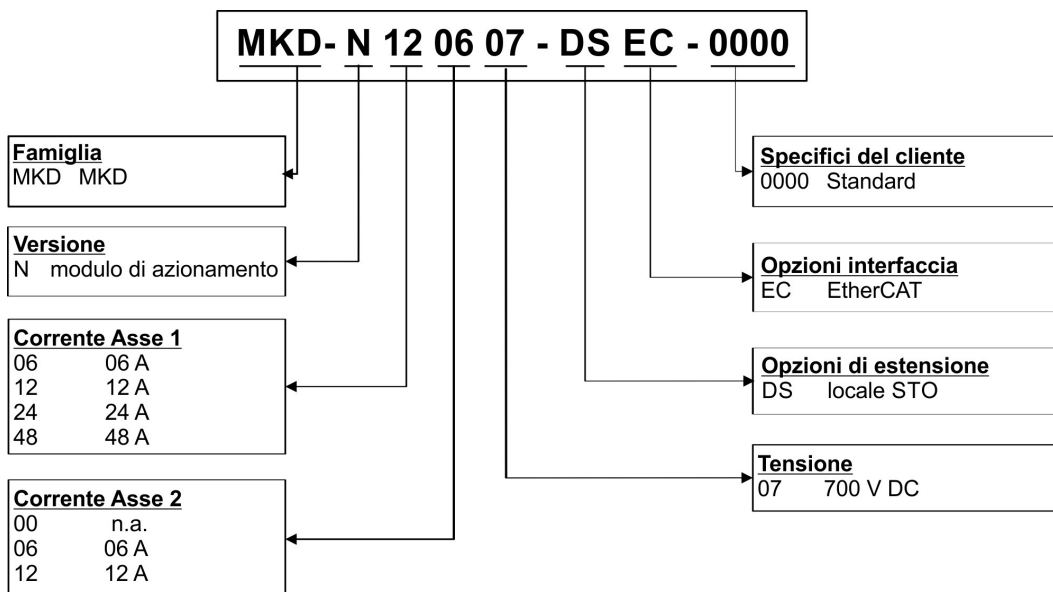
Utilizzare lo schema dei codice articolo solo per identificare il prodotto e non per eseguire gli ordini, perché non sono sempre disponibili tutte le combinazioni delle caratteristiche o funzioni.

4.4.2.1 Moduli MKD-C



Codifica del **Codice personalizzazione** per esigenze speciali dei clienti (non rilevanti in relazione alla sicurezza funzionale).

4.4.2.2 Moduli MKD-N



Codifica del **Codice personalizzazione** per esigenze speciali dei clienti (non rilevanti in relazione alla sicurezza funzionale).


4.4.3 Dati meccanici

INFORMAZIONI Dati meccanici (→ # 133)

4.4.4 Dati sul sistema elettrico

INFORMAZIONI Dati sul sistema elettrico (→ # 131)

4.4.5 Condizioni ambientali durante il funzionamento normale

Conservazione, trasporto	(→ # 64)
Funzionamento normale	Classe ambientale 3K3 conforme alla norma IEC 61800-2
Temperatura dell'aria ambiente durante il funzionamento	da 0 a +40 °C in condizioni nominali da +40 a +55 °C con riduzione continua della corrente nominale del 4 % per °C
Umidità durante il funzionamento	Umidità relativa dal 5 all'85%, senza formazione di condensa, classe 3K3
Altitudine del sito	≤ 1000 metri sopra il livello medio del mare senza restrizioni da 1.000 a max. 2.000 metri sopra il livello medio del mare con riduzione della potenza di 1,5%/100 m
Livello di inquinamento	Livello d'inquinamento 2 secondo IEC 60664-1
Vibrazioni	Classe 3M1 conforme alla norma IEC 60721 -3-3
Area ambientale	Armadio IP 54 conforme alla norma IEC 60529
Posizione di montaggio	Verticale
Ventilazione	Ventola incorporata.
 ATTENZIONE	Emissione di rumore! Rumore continuo fino a 90 dBA durante il funzionamento con carico massimo. Mantenere le porte dell'armadio chiuse durante il funzionamento. È obbligatorio utilizzare la protezione acustica se le porte dell'armadio devono essere aperte durante il normale funzionamento.
AVVISO	Il dispositivo si arresta in caso di temperatura troppo elevata nel quadro elettrico. Assicurarsi che vi sia una ventilazione forzata sufficiente all'interno del quadro elettrico

4.4.6 Limiti del sistema

Lunghezza stringa 2/3	Lunghezza massima del cavo totale pari a 100 m per stringa.
Numero di MKD-C	Limitato dal protocollo del bus di campo.
Numero di assi di MKD-N	Massimo 14 assi per la stringa 1, massimo 28 assi totali se la stringa 1 e la stringa 2 vengono combinate (rispettare le limitazioni di alimentazione e di corrente totale).
Numero di AKD-N	Massimo 14 per stringa, totale massimo 28 su stringhe 2 e 3 (rispettare le limitazioni di alimentazione e di corrente totale).
Global STO (stringa 2/3): Numero di AKD-N	<ul style="list-style-type: none"> ● AKD-N Hardware Rev. A/B: 8 AKD-N ● AKD-N Hardware Rev. A/B con buffer segnale: 14 AKD-N ● AKD-N Hardware Rev. C: 14 AKD-N
Corrente di uscita	Utilizzare il fattore di simultaneità degli assi per ottimizzare la distribuzione e la potenza del sistema. Stringa 1: 43 A, Stringa 2: 16 A, Stringa 3: 16 A
Potenza totale	Da 565 V a 680 V limitata a 30 kW.
Potenza della stringa 2/3	Da 565 V a 680 V limitata a 10 kW per ogni stringa.
Potenza di standby della stringa	A 55 V limitata a 180 W per ogni stringa.
Potenza del freno motore	È possibile controllare fino a 3 freni motore per stringa. La potenza disponibile per i freni è pari a 76 W per stringa (= 3,2 A @ 24 V CC).
Interfaccia di servizio X18	Ethernet TCP/IP, 100Mbit/s, massima distanza dei cavi 100m

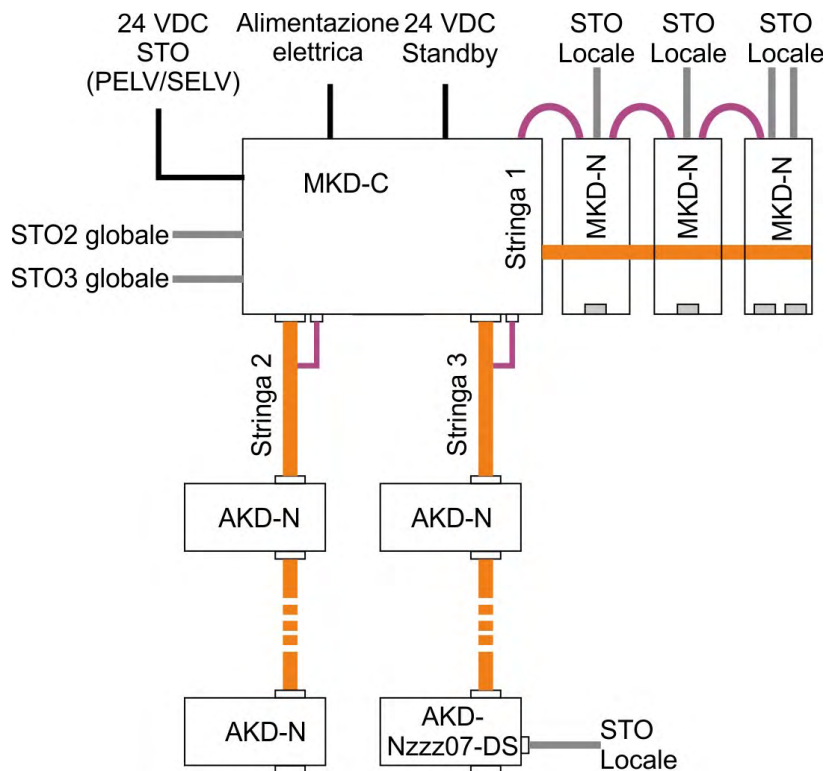
4.5 Funzione STO (Safe Torque Off)

L'implementazione della funzione di sicurezza STO su MKD è certificata. Il circuito di sicurezza usato per la funzione di sicurezza "Safe Torque Off" nell'azionamento è idoneo a SIL 2 secondo la norma IEC 62061 e a PLd / CAT3 secondo la norma ISO 13849-1.

INFO

Fare riferimento al Manuale d'installazione MKD per le informazioni complete sulla sicurezza funzionale.

Le proprietà di sicurezza fornite da Kollmorgen elencate nell'allegato (→ # 154) possono essere ottenute se si usano i componenti Kollmorgen. La classificazione della sicurezza funzionale risultante (SIL e/o livello PL) deve essere calcolata per tutto il sistema di trasmissione.



- Connettore X16 di MKD- C:
 - ingressi della STO globale (Stringa 2/3) dell'impianto alimentato da questo MKD-C.
- Connettore X26 di MKD- N:
 - ingressi della STO locale (asse 1 e asse 2 se incorporati) del modulo del servoamplificatore.
- Connettori X6 dell'AKD-N:
 - ingresso locale della STO dei moduli del servoamplificatore AKD-N-DS/DT.

STO globale

È presente un ingresso STO per ogni stringa di potenza CC. L'ingresso della stringa STO rilascia la fase dell'uscita di potenza di tutti gli AKD-N (senza opzione DS/DT) collegati alla stringa fintantoché viene applicato un segnale a 24 V a questo ingresso.

STO locale

L'ingresso locale della STO sblocca lo stadio d'uscita di potenza di MKD-N fino a quando un segnale da 24 V viene applicato a questo ingresso.

4.6 Installazione meccanica

INFORMAZIONI Per informazioni su dimensioni e montaggio consultare (→ # 133) e fare riferimento al *Manuale di installazione MKD*.

4.6.1 Note importanti

AVVISO

I dispositivi MKD-C e MKD-N devono essere installati solo in armadi con classe di protezione IP 54 in base alla norma IEC 60529.



ATTENZIONE Grande corrente di dispersione!

Vi è pericolo di scosse elettriche dovute al livello EMI elevato che potrebbe causare lesioni qualora il servoamplificatore (o il motore) non fosse messo adeguatamente a terra per la EMI.

- Non usare piastre di fissaggio verniciate (ossia conduttive).
- In caso di necessità, utilizzare una fascetta di rame fra le viti di messa a terra e il potenziale verso terra per deviare la corrente.

AVVISO

Proteggere il dispositivo da sollecitazioni non consentite. In particolare, non permettere che venga piegato alcun componente o che venga modificata alcuna distanza d'isolamento durante il trasporto e la movimentazione. Evitare il contatto con componenti elettrici e contatti.

AVVISO

In caso di surriscaldamento i moduli si spengono da soli. Assicurarsi che lo spazio di montaggio corrisponda ai requisiti di (→ # 69).

AVVISO

Non montare dispositivi che producono campi magnetici direttamente vicino al dispositivo. Campi magnetici forti possono influenzare direttamente i componenti interni. Installare dispositivi che producono campi magnetici a distanza da MKD- C e/o schermare i campi magnetici.

4.6.2 Guida all'installazione meccanica

Per maggiori dettagli fare riferimento al *Manuale di installazione MKD*. Per installare i moduli MKD-C e MKD-N sono necessari i seguenti attrezzi (come dotazione minima); la vostra installazione specifica potrebbe richiedere attrezzi aggiuntivi.

- Viti a esagono incassato M4 (ISO 4762)
- Chiave a brugola con manico a T da 3 mm
- N. 2 cacciaviti per viti a testa svasata
- Cacciavite scanalato piccolo

Installare i moduli nel modo seguente:

1. Preparazione del sito. I moduli MKD devono essere installati in un armadio di controllo chiuso (→ # 69). Il sito deve essere privo di materiali conduttivi o corrosivi.
2. Controllare che la ventilazione dei moduli non sia ostacolata e mantenere la temperatura ambiente entro i livelli consentiti (→ # 69). Mantenere la distanza di tolleranza necessaria sopra e sotto i moduli (→ # 133).
3. Se si usano sistemi di raffreddamento per il quadro elettrico ad armadio, posizionare il sistema di raffreddamento in modo tale che l'acqua di condensa non possa cadere sui moduli o sui dispositivi periferici.
4. Assemblare il modulo di alimentazione e i moduli del servoamplificatore sulla piastra di montaggio conduttiva messa a terra in armadio.
5. Mettere a terra i moduli, la piastra di fissaggio, l'alloggiamento del motore, GND dell'alimentazione a 24 V e CNC-GND del sistema di controllo.

INFORMAZIONI Per l'installazione meccanica dell'AKD-N sulla macchina, fare riferimento al *Manuale di installazione AKD-N*.

4.7 Installazione elettrica

INFORMAZIONI Per connettori e sul cablaggio consultare (→ # 135) e *Manuale di installazione MKD*.

4.7.1 Note importanti

AVVISO

L'installazione del sistema di azionamento può avvenire unicamente ad opera di personale qualificato specializzato in elettrotecnica.



PERICOLO Alta tensione fino a 900 V!

Vi è il rischio di lesioni gravi o morte da shock elettrico o di arco. I condensatori possono ancora presentare tensioni pericolose fino a 5 minuti dopo la disinserzione delle tensioni di alimentazione. I collegamenti di comando e di alimentazione possono ancora essere sotto tensione anche se il motore non gira.

- Installare e collegare l'attrezzatura solo quando non è sotto tensione.
- Assicurarsi che il quadro elettrico ad armadio sia scollegato in modo sicuro (con un lucchetto, cartelli di avvertenza, ecc.).
- Non staccare mai i collegamenti elettrici dal servoamplificatore quando quest'ultimo è sotto tensione.
- Attendere dopo aver scollegato il servoamplificatore almeno 5 minuti prima di toccare le parti dell'apparecchio e scollegare i connettori.
- Per essere sicuri, misurare la tensione del DC-link ed attendere fino a quando la tensione scende al di sotto di 50 V.
- Assicurarsi che il coperchio del collegamento del bus CC MKD-N sia installato sull'ultimo MKD-N prima di attivare l'alimentazione di rete.

AVVISO

Dato che la corrente di dispersione al PE è superiore a 3,5 mA, secondo IEC61800-5-1 il collegamento PE deve essere raddoppiato oppure si deve usare un cavo di collegamento con una sezione trasversale > 10 mm². Sono possibili misure divergenti a seconda degli standard regionali.

AVVISO

Una tensione di collegamento del bus CC non corretta, un motore inadeguato o un cablaggio non adatto possono danneggiare i componenti del sistema. Controllare la combinazione di servoamplificatore e motore. Confrontare la tensione e la corrente nominali delle unità. Eseguire il cablaggio in conformità agli schemi di collegamento: (→ # 135).

4.7.2 Guida all'installazione elettrica

Per ulteriori dettagli fare riferimento al *Manuale di installazione MKD*. Installare l'impianto elettrico del servoamplificatore nel modo seguente:

1. Per scegliere la conformità dei cavi in base alla topologia pianificata (→ # 69).
2. Rispettare la definizione di lunghezza massima del cavo (→ # 69).
3. Per installare la schermatura e mettere a terra i componenti del sistema (→ # 139).
4. Cablare i componenti del sistema. Rispettare le "Raccomandazioni per riduzione delle interferenze EMI" e collegare tutta l'interfaccia in base agli schemi elettrici contenuti nel *Manuale di installazione MKD*.
5. Verificare che il cablaggio corrisponda agli schemi elettrici nel *Manuale di installazione*.
6. Installare il collegamento del bus CC MKD-N all'ultimo MKD-N.

INFORMAZIONI Per l'installazione elettrica dell'AKD-N sulla macchina, vedere *AKD-N Installation Manual*.

4.8 Configurazione

INFORMAZIONI

- Per informazioni sulla sicurezza funzionale riferimento al *Manuale di installazione MKD*.
- Programmazione dei parametri: vedere la guida in linea WorkBench.
- La configurazione del bus di campo viene descritta nel manuale contenuto nel DVD.

4.8.1 Note importanti

AVVISO

Prima di eseguire i test e la configurazione, il produttore della macchina deve generare un'analisi dei rischi per la macchina ed adottare misure adeguate per evitare che movimenti imprevisti causino lesioni o danni a persone o cose.

AVVISO

Solo personale specializzato con ampie nozioni nel campo dell'elettronica e della tecnologia di azionamento può eseguire i test e la configurazione del servoamplificatore.



PERICOLO Tensione letale!

Rischio di scossa elettrica. Pericolo di morte in prossimità di parti del dispositivo sotto tensione.

- Le misure di protezione integrate come l'isolamento o la schermatura non possono essere rimosse.
- I lavori sull'impianto elettrico possono essere eseguiti unicamente da personale qualificato e debitamente addestrato, nel rispetto della normativa vigente in materia di sicurezza sul lavoro, e solo con l'interruttore principale spento e protetto da un riavvio indesiderato.



AVVERTENZA Riavvio automatico!

Sussiste il pericolo di lesioni gravi o di morte per il personale addetto ai lavori sulla macchina. L'azionamento potrebbe riavviarsi automaticamente dopo l'accensione, cali di tensione o interruzione della tensione di alimentazione, a seconda della parametrizzazione. Se il parametro DRV.ENDEFAULT è impostato su 1,

- occorre apporre un cartello di avvertenza sulla macchina (Avvertenza: Riavvio automatico dopo l'inserzione!) e
- assicurarsi che l'inserzione della tensione di rete non sia possibile in presenza di persone nella zona pericolosa della macchina.



ATTENZIONE Alta temperatura!

Pericolo di ustioni lievi. Durante il funzionamento, il dissipatore di calore del servoamplificatore può raggiungere temperature fino a 80°C.

- Controllare la temperatura del dissipatore di calore.
- Attendere fino a quando il dissipatore di calore si è raffreddato a 40°C prima di toccarlo prima di toccare il servoamplificatore.



ATTENZIONE Elevato inquinamento acustico!

Rischio di danni all'udito. I ventilatori generano rumore fino a 90 dBA quando operano al massimo carico.

- Mantenere le porte dell'armadio chiuse durante il funzionamento.
- Utilizzare una protezione per le orecchie se il quadro di controllo deve essere aperto durante il normale funzionamento.

AVVISO

Se il dispositivo è rimasto a magazzino per più di un anno, è necessario rigenerare i condensatori DC-link. Le procedure di rigenerazione sono descritte nella KDN ([Forming](#)).

4.8.2 Test iniziale del sistema

Preparazione

1. Disimballare i dispositivi e gli accessori. Rispettare le istruzioni di sicurezza riportate nella documentazione.
2. Montare i dispositivi e cablare l'impianto.
3. Convalidare l'installazione meccanica e quella elettrica.
4. Convalidare gli indirizzi IP
5. Verificare di avere a disposizione le seguenti informazioni riguardo ai componenti del servoamplificatore:
 - tensione di alimentazione nominale da rete
 - tipo di motore (dati del motore, se il tipo del motore non è presente nel database del motore)
 - unità di retroazione integrale del motore (tipo, poli/linee/protocollo)
 - momento di inerzia del carico

Impostare gli indirizzi del sistema

Suggeriamo di utilizzare Auto-IP. Impostare il selettore S1 su "0". Tutti i dispositivi di rete connessi ricevono un indirizzo IP univoco nell'intervallo 169.254.x.y.

WorkBench cerca l'indirizzo IP nella sottorete per rilevare dispositivi nella LAN e avviare la comunicazione. Per informazioni consultare la Guida in linea WorkBench.

Confermare i collegamenti

Accendere l'alimentazione della logica a 24 VCC dell'impianto (la tensione di alimentazione non è necessaria per le comunicazioni). Confermare che il LED verde del collegamento sia illuminato sia su MKD-C che sul PC.

Sebbene Windows visualizzi questa icona di funzionalità limitata per il collegamento dell'azionamento, il PC può comunicare perfettamente con l'azionamento. Usando WorkBench, ora è possibile configurare l'azionamento tramite questo collegamento.

Le informazioni sull'installazione e l'avvio di WorkBench

WorkBench sono disponibili nel DVD incluso con il servoamplificatore e sul sito di Kollmorgen: www.kollmorgen.com. Selezionare il file di installazione e seguire le istruzioni fornite dal programma di installazione.

Al termine dell'installazione, fare clic sull'icona WorkBench per avviare il programma.

Parametrizzare e attivare gli assi su WorkBench

Per informazioni consultare la Guida in linea WorkBench.

4.9 Ricerca dei problemi nel sistema MKD

Possono esservi numerose ragioni per i problemi al servoamplificatore, a seconda delle condizioni dell'applicazione. Le cause di un guasto in sistemi multiasse possono essere molto complesse. Se non si risolve un guasto, l'assistenza clienti Kollmorgen può offrire ulteriore aiuto.

AVVISO

Eliminare errori e guasti secondo le norme relative alla sicurezza sul lavoro. La risoluzione dei guasti può essere affidata unicamente a personale qualificato e debitamente addestrato.

INFORMAZIONI

Dettagli sulla risoluzione dei guasti sono disponibili sulla guida in linea WorkBench.

5 Português

5.1 Geral	76
5.1.1 Observações para a edição impressa (versão em papel)	76
5.1.2 Símbolos utilizados	77
5.2 Segurança do produto	78
5.2.1 Deverá prestar atenção ao que se segue	78
5.2.2 Utilizar como indicado	80
5.2.3 Utilização proibida	81
5.2.4 Etiquetas com avisos de atenção	81
5.3 Como proceder durante o ciclo de vida do produto	82
5.3.1 Transporte	82
5.3.2 Embalagem	82
5.3.3 Armazenamento	82
5.3.4 Instalação, configuração e funcionamento normal	83
5.3.5 Desativando	83
5.3.6 Manutenção e limpeza	83
5.3.7 Desinstalando	83
5.3.8 Reparo	84
5.3.9 Eliminação	84
5.4 Descrição técnica e dados de carácter geral	85
5.4.1 Embalagem fornecida	85
5.4.2 Esquema do número das peças	86
5.4.3 Dados Mecânicos	86
5.4.4 Dados elétricos	86
5.4.5 Condições ambientais em funcionamento normal	87
5.4.6 Limites do sistema	87
5.5 Binário de segurança desligado (STO)	88
5.6 Instalação mecânica	89
5.6.1 Observações importantes	89
5.6.2 Guia para a instalação mecânica	89
5.7 Instalação elétrica	90
5.7.1 Observações importantes	90
5.7.2 Guia para a instalação elétrica	90
5.8 Configuração	91
5.8.1 Observações importantes	91
5.8.2 Teste inicial do sistema	92
5.9 Resolução de problemas do sistema MKD	92

5.1 Geral

Este manual, o *MKD-C/N Product Safety Guide*, apresenta as informações relevantes para a instalação segura e configuração dos módulos do sistema de unidades MKD, da fonte de alimentação MKD-C e da unidade servo MKD-N.

INFORMAÇÃO

Para obter todas as informações, consulte o *MKD-C/N Installation Manual*, o *AKD-N Installation Manual* e a documentação adicional da Kollmorgen.

As informações do MKD para uso consistem em:

- *Manual de Instalação*: Este documento descreve os módulos e inclui informações necessárias para instalar com segurança um sistema MKD.
- *WorkBench Ajuda Online*: descreve o modo de utilização do sistema em aplicações comuns. Também fornece sugestões para maximização do desempenho do seu sistema. A *Ajuda Online* inclui o *Parameter and Command Reference Guide* que fornece informações sobre os parâmetros e comandos utilizados para programar o sistema.
- *Comunicação EtherCAT*: descreve o modo de utilização do sistema em aplicações EtherCAT.

Poderá encontrar estes documentos no DVD que se encontra na embalagem da unidade. Todos os documentos podem ser transferidos a partir do [Kollmorgen Developer Network](#).

5.1.1 Observações para a edição impressa (versão em papel)

Uma versão impressa do manual é incluída com cada produto. Por motivos ambientais, o documento teve seu tamanho reduzido e foi impresso em DIN A5.

INFORMAÇÃO

Se você tiver dificuldade em ler o tamanho da fonte na versão impressa reduzida, você pode imprimir e usar a versão PDF em DIN A4, no formato 1:1. Você pode encontrar a versão PDF no DVD que acompanha o produto.

5.1.2 Símbolos utilizados

Símbolo	Indicação
 PERIGO	Indica uma situação de perigo que, se não for evitada, resultará em morte ou sérias lesões.
 ADVERTÊNCIA	Indica uma situação de perigo que, se não for evitada, pode resultar em morte ou sérias lesões.
 CUIDADO	Indica uma situação de perigo que, se não for evitada, pode resultar em lesões pequenas ou moderadas.
AVISO	Indica situações que, se não forem evitadas, podem resultar em danos materiais.
INFORMAÇÃO	Este não é um símbolo de segurança. Este símbolo indica observações importantes.
	Aviso de perigo (geral). O tipo de perigo é especificado pelo texto próximo ao símbolo
	Aviso de perigo de eletricidade e seus efeitos.
	Aviso de superfícies quentes.
	Aviso de cargas suspensas.
	Aviso de reinicializar automaticamente.

5.2 Segurança do produto

5.2.1 Deverá prestar atenção ao que se segue

São necessários funcionários especializados!

Apenas o pessoal apropriadamente qualificado pode executar atividades como transporte, instalação, comissionamento, e manutenção. Pessoas apropriadamente qualificadas são aquelas que estão familiarizadas com o transporte, instalação, comissionamento e operação do produto:

- Transporte, armazenamento, desembalamento: apenas pelo pessoal com conhecimento em manuseio de componentes sensíveis eletrostaticamente.
- Instalação mecânica: somente por pessoal com conhecimento mecânico.
- Instalação elétrica: somente por pessoal com conhecimento eletrotécnico.
- Testes básicos: apenas pelo pessoal qualificado com conhecimento em engenharia elétrica e tecnologia de acionamento

O pessoal qualificado deve conhecer e observar os padrões ISO 12100, IEC 60364 e IEC 60664 e regulamentos nacionais de prevenção de acidentes.

Leia a documentação!

Leia este documento antes de instalar e comissionar o drive. O manuseio incorreto do drive pode ferir o pessoal ou danificar o material. O operador do sistema que usa o sistema de acionamento deve exigir que todos os funcionários que trabalham com o drive leiam e entendam o manual antes de usar o drive.

Verifique a revisão do hardware!

Verifique o Número da revisão de hardware do produto (consulte a etiqueta do produto). Os Números da revisão de hardware do MKD-C e do MKD-N podem ser diferentes uns dos outros. Este número faz a ligação entre o seu produto e o manual. O Número da revisão de hardware do produto tem de corresponder ao Número da revisão de hardware que consta na capa do manual.

Preste atenção aos dados técnicos!

Confira os dados técnicos e especificações de conexão (plaqueta e documentação). Se os valores de tensão e corrente forem excedidos, o drive pode ser danificado. Motor inadequado ou fiação incorreta danificarão os componentes do sistema. Confira a combinação de drive e motor. Compare a tensão nominal e a corrente das unidades.

Faça avaliação de risco!

O fabricante da máquina deve produzir uma avaliação de riscos para a máquina e tomar medidas adequadas para garantir que movimentos imprevistos não resultem em lesões corporais ou em materiais danificados. Exigência adicional de profissional especialista pode resultar da avaliação de risco.

O fabricante deverá definir revisões periódicas dos componentes elétricos e da aplicação.

Reinício automático!

A unidade poderá reiniciar-se automaticamente depois de ter sido ligada, após uma baixa de tensão ou depois da interrupção da tensão de alimentação, dependendo da definição do parâmetro.

Risco de morte ou de ferimentos graves para os operadores da máquina.

Se o parâmetro DRV.ENDEFAULT de um MKD-N estiver definido como 1, deve-se colocar um aviso na máquina (Aviso: reinício automático quando a unidade é ligada) e garantir que não é possível ligar a unidade quando estão presentes pessoas numa zona perigosa da máquina. Se for utilizado um dispositivo de proteção de subtensão, deverá ser seguido o capítulo 7.5 da norma EN 60204-1:2006.



Observe componentes sensíveis eletrostaticamente!

Os dispositivos contêm componentes eletrostaticamente sensíveis, que podem ser danificados pelo manuseio incorreto. Descarregue eletrostaticamente seu corpo antes de tocar no dispositivo. Evite o contato com materiais altamente isolantes (tecidos artificiais, filme plástico, etc.). Coloque o dispositivo em uma superfície condutora.

**Superfícies quentes!**

Os drives podem ter superfícies quentes durante a operação. O dissipador de calor pode atingir temperaturas acima de 80°C. Risco de pequenas queimaduras! Meça a temperatura, e espere até que o dissipador de calor tenha esfriado abaixo de 40°C antes de tocá-lo.

**Terra!**

É vital que você garanta que o drive está aterrado com segurança no PE (Terra de Proteção) do barramento do painel. Risco de choque elétrico. Sem terra de baixa resistência não é possível garantir a segurança pessoal.

Leakage Current!

Since the leakage current to PE is more than 3.5 mA, in compliance with IEC61800-5-1 the PE connection must either be doubled or a connecting cable with a cross-section >10 mm² must be used. Deviating measures according to regional standards might be possible.

Dispositivos de proteção diferencial residual ou de monitorização!

O MKD-C com MKD-N pode causar uma corrente contínua no condutor de ligação à terra. Quando se utiliza um dispositivo de proteção diferencial residual (RCD) ou de monitorização (RCM) para proteção em caso de contacto direto ou indireto, é permitido apenas um RCD ou um RCM de Tipo B no lado de fornecimento do MKD-C.

**Tensões mortais!**

O equipamento produz tensões elevadas, que atingem os 900 V. As partes sob tensão do dispositivo representam perigo de vida. Não abra nem toque no equipamento durante o funcionamento. Mantenha as portas do quadro IP 54 fechadas durante o funcionamento. As medidas de proteção incorporadas, como o isolamento ou a blindagem, não devem ser removidas. O trabalho na instalação elétrica só pode ser realizado com alimentação elétrica desligada e protegido contra reinicialização.

Nunca desfaça uma ligação elétrica ao MKD com a unidade sob tensão. Há o perigo de ocorrência de arco voltaico, que pode provocar danos nos contactos e ferimentos pessoais. Aguarde pelo menos 5 minutos após desligar o produto das tensões de alimentação, antes de tocar em secções potencialmente ativas do equipamento ou remover quaisquer ligações. Certifique-se de que a tampa do link MKD-N DC-Bus esteja instalada no último MKD-N antes de ligar a alimentação elétrica.

**Poluição de Alto Ruído!**

Os ventiladores geram ruído de até 90 dBA ao operar na carga máxima. Isso pode levar a danos à audição. Mantenha as portas do gabinete fechadas durante a operação. Use proteção de ouvido se o painel de controle tiver que ser aberto durante a operação normal. O operador deve fornecer proteção auricular e monitorar seu uso, dependendo do nível de exposição ao ruído diário determinado.

Segurança Funcional

A implementação da segurança STO do MKD está certificada. A entrada de interrupção do freio pode ser usada para executar uma função SBC. A avaliação final das funções de segurança de acordo com a EN 13849 ou a EN 62061 deve ser feita pelo utilizador.

Nunca modifique o drive!

Não é permitido modificar o hardware do drive sem a permissão do fabricante. Abrir a caixa causa perda de garantia.

5.2.2 Utilizar como indicado

As fontes de alimentação da série MKD-C destinam-se exclusivamente ao funcionamento com módulos de unidades servo MKD-N dentro de um quadro, e com unidades servo AKD-N descentralizadas.

A família de unidades servo MKD-N destina-se exclusivamente ao acionamento de servomotores síncronos adequados com controlo em circuito fechado do binário, velocidade e/ou posição.

Os componentes do sistema MKD são componentes integrados em máquinas ou instalações elétricas e só podem ser operados como componentes integrantes destas máquinas ou instalações. O fabricante da máquina tem de gerar uma avaliação de riscos da máquina. A unidade só deve ser utilizada quando tiver sido estabelecido que a máquina ou instalação cumpre os requisitos das diretivas regionais.

Sistema de unidade multiaxial Kollmorgen

O MKD só pode ser utilizado num sistema de movimento com componentes da Kollmorgen. Os componentes adicionais da Kollmorgen exigidos são os chokes da rede elétrica, os cabos híbridos, os cabos híbridos de motor, os cabos de alimentação e feedback do motor e os servomotores.

Montagem

Os módulos MKD devem ser usados apenas em ambientes adequados às condições ambientais definidas em (→ # 87).

Ligações elétricas

Utilize apenas cabos da Kollmorgen para ligar os componentes do sistema.

Fonte de alimentação

O **MKD-C** deve ser alimentado por uma rede industrial trifásica (que não deve ultrapassar uma corrente nominal simétrica de 42 kA a 400 V e 480 V) através de um choke da rede elétrica 3L.

As unidades da série **MKD-N** devem ser alimentadas por módulos de fontes de alimentação inteligentes MKD-C, com tensões de CC entre 55 VCC e 800 VCC.

Fusíveis

Os dispositivos devem ser operados com fusíveis de proteção contra sobrecargas.

Tensão nominal do motor

A tensão nominal dos motores tem de ser, no mínimo, tão alta como a tensão do link DC-Bus dividida por $\sqrt{2}$ produzida pela unidade ($U_{nMotor} \geq U_{CC}/\sqrt{2}$).

Para situações de instalação de grupo e unidades de alimentação CC

AVISO

O MKD-C não foi avaliado pela Kollmorgen, UL ou TÜV para instalações de grupo, nem a sua potência foi definida para tensão de entrada CC.

Alimentação de tensão auxiliar, Potência em standby

A potência em standby para os cabos da unidade deverá ser usada apenas para alimentar os componentes eletrónicos do MKD-N. A unidade de alimentação de 24 VCC deverá cumprir os requisitos de PELV (EN 60204-1).

Binário de segurança desligado

Consulte a secção "Utilizar como indicado", no capítulo sobre o STO (→ # 88), antes de utilizar esta função de segurança. A unidade de alimentação de 24 VCC para alimentação global do Binário de segurança desligado (STO) deverá cumprir os requisitos de PELV (EN 60204-1).

5.2.3 Utilização proibida

Outra utilização além da descrita no capítulo "Utilizar como indicado" não é a prevista e poderá levar a ferimentos do pessoal e danos no equipamento.

O sistema não pode ser utilizado

- com uma máquina que não cumpre as diretrizes ou normas nacionais relevantes,
- para acionar elevadores,
- em aplicações com curto-circuitos contínuos operacionais nos contactos do resistor de regeneração externo.
- em aplicações com curto-circuitos nos contactos do link DC-Bus.

A utilização do dispositivo também é proibida nos seguintes ambientes:

- áreas potencialmente explosivas
- ambientes com ácidos, soluções alcalinas, óleos, vapores e pós que sejam condutores de eletricidade e/ou corrosivos
- embarcações ou aplicações marítimas



A ligação do sistema com cabos híbridos que não sejam da Kollmorgen também não é permitida. Também não é permitido mudar os cabos ou conectores da Kollmorgen.

5.2.4 Etiquetas com avisos de atenção

AVISO

Se estas etiquetas sofrerem danos, deverão ser substituídas imediatamente.

5.2.4.1 Avisos colocados no produto

	
<p>The minimum size of the protective earthing conductor shall comply with the local safety regulations for high protective earthing conductor current.</p>	<p>Residual Voltage Wait 5 minutes after removing power before servicing.</p>
<p>Tradução: O tamanho mínimo do condutor da ligação à terra deverá estar de acordo com os regulamentos de segurança locais, para que o condutor de corrente da ligação à terra ofereça uma proteção elevada.</p>	<p>Tradução: Tensão residual Aguardar 5 minutos depois de desligar da corrente antes de efetuar qualquer reparação.</p>

Em um sistema com supercapacitores, o tempo de espera para manutenção pode aumentar. Com base na avaliação de riscos, o usuário deve anexar etiquetas de aviso adicionais no painel de controle.

5.3 Como proceder durante o ciclo de vida do produto

5.3.1 Transporte

Transporte os módulos do MKD de acordo com a IEC 61800-2, conforme indicado abaixo:

- Transporte efetuado apenas por pessoal qualificado para tratar da embalagem reciclável original do fabricante.
- Evite choques durante o transporte.
- Vibração/choque: MKD os módulos são testados para a classe ambiental 3M1 da IEC 60721-3-2.
- Armazene a uma altura de empilhamento máxima igual ou inferior a 8 caixas
- Transporte apenas dentro do intervalo de temperatura especificado: máx. -25 a +70 °C taxa de alteração de 20 km/hora, classe 2K3.
- Transporte apenas dentro da humidade especificada: máximo de 95 % de humidade relativa, sem condensação, classe 2K3.

AVISO

Os dispositivos contêm componentes sensíveis à eletrostática que podem ser danificados devido ao manuseamento incorreto. O utilizador deve efetuar a sua própria descarga eletrostática antes de tocar no dispositivo. Evite o contacto com materiais altamente isolantes, tais como, tecidos artificiais e películas de plástico. Coloque o dispositivo numa superfície condutora.

Se a embalagem estiver danificada, verifique se existem danos visíveis na unidade. Informe o expedidor e o fabricante sobre qualquer dano na embalagem ou produto.

5.3.2 Embalagem

A embalagem do MKD consiste em cartão reciclável com orifícios e uma etiqueta no exterior da caixa.

Modelo	Dimensões da embalagem (mm) AxLxP	Peso total (kg)
MKD-C003007	580 x 350 x 170	22,5
MKD-C001007-CA	580 x 350 x 170	22,5
MKD-N060007, MKD-N060607, MKD-N120007, MKD-N120607, MKD-N121207	580 x 350 x 110	8,5
MKD-N240007	580 x 350 x 110	9,5
MKD-N480007	580 x 350 x 140	11,5

5.3.3 Armazenamento

Armazene os módulos do MKD de acordo com a norma IEC 61800-2, conforme indicado abaixo:

- Armazene apenas na embalagem reciclável original do fabricante.
- Armazene a uma altura de empilhamento máxima igual ou inferior a 8 caixas
- Armazene apenas dentro do intervalo de temperatura especificado: -25 a +55 °C, taxa de alteração máxima de 20 K/hora, classe 1K4.
- Armazenamento apenas dentro da humidade especificada: 5 a 95% de humidade relativa, sem condensação, classe 1K3.
- Armazene o MKD de acordo com os seguintes requisitos de duração:
 - Menos de 1 ano: sem restrição.
 - Mais de 1 ano: os condensadores do MKD-C têm de ser reformados antes de configurar o sistema e de o pôr a funcionar. Os procedimentos de reforma são descritos na Kollmorgen Developer Network ([Forming](#)).

5.3.4 Instalação, configuração e funcionamento normal

As informações de instalação e configuração são fornecidas neste Guia:

- Instalação mecânica (→ # 89)
- Instalação elétrica (→ # 90)
- Configuração (→ # 91)

Funcionamento normal testado para a classe ambiental 3K3 de acordo com a IEC 61800-2 (→ # 87).

O fabricante da máquina define as competências de que o utilizador final necessita com base na avaliação dos riscos da máquina e descreve os requisitos de funcionamento normal com base na aplicação.

5.3.5 Desativando

AVISO

Apenas funcionários profissionais qualificados em engenharia elétrica estão habilitados a desativar partes do sistema de acionamento.

PERIGO: Tensão Letal! Há risco de lesão grave ou morte de choque elétrico ou de arco.

- Desligue a chave principal do armário de distribuição.
- Proteja o sistema contra uma ligação inadvertida.
- Bloqueie a chave principal.
- Espere pelo menos 5 minutos depois de desconectar o drive da fonte de alimentação principal.

5.3.6 Manutenção e limpeza

O dispositivo não precisa de manutenção. A abertura do dispositivo anula a garantia. A parte interna da unidade só pode ser limpa pelo fabricante.

AVISO

Não imergir ou pulverizar o dispositivo. Evite a infiltração de líquidos no aparelho.

Para limpar a parte externa do dispositivo:

1. Desativar o dispositivo (ver capítulo 5.3.5 "Desativando").
2. Revestimento: Limpar com isopropanol ou solução de limpeza semelhante.

CUIDADO: Facilmente inflamável! Risco de ferimentos por deflagração e incêndio.

- Tenha em atenção as indicações de segurança inscritas na embalagem do produto de limpeza.
 - Após a limpeza, aguarde no mínimo 30 minutos antes de voltar a colocar o aparelho em funcionamento.
3. Grade de proteção do ventilador: Limpar com uma escova seca.

5.3.7 Desinstalando

AVISO

A substituição de componentes do sistema é de exclusiva responsabilidade de pessoal especializado, que detenham conhecimentos no domínio da eletrotécnica.

1. Desativar o dispositivo (ver capítulo 5.3.5 "Desativando").
2. Verifique a temperatura.

CUIDADO: Alta temperatura! Risco de pequenas queimaduras. Durante a operação, o dissipador de calor do drive pode atingir temperaturas acima de 80 °C (176 °F). Antes de tocar no dispositivo, verifique a temperatura e espere até que ela esfrie para menos de 40 °C (104 °F).

3. Remova os conectores. Desconecte a última conexão de aterramento potencial.
4. Desmontar: Desaperte os parafusos de fixação e retire o aparelho.

5.3.8 Reparo

AVISO

A substituição de componentes do sistema é da exclusiva responsabilidade de pessoal especializado, que detenham conhecimentos no domínio da eletrotécnica.

CUIDADO: Início Automático! Durante o procedimento de substituição, pode ocorrer uma combinação de riscos e múltiplos episódios.

- Qualquer trabalho na instalação elétrica deve ser desempenhado apenas por funcionários treinados e qualificados, em conformidade com as normas de segurança no trabalho, e somente com o uso de equipamento de segurança individual recomendado.

Substituição o aparelho

Só o fabricante pode reparar o aparelho. A abertura do MKD representa a perda da garantia.

1. Desativar o dispositivo (ver capítulo 5.3.5 "Desativando").
2. Desmontar o dispositivo (ver capítulo 5.3.7 "Desinstalando")
3. Envie o aparelho para o fabricante.
4. Instale um novo aparelho conforme a descrição no Manual de Instalação.
5. Inicie o sistema conforme a descrição no Manual de Instalação.

Substituição de outras peças do sistema de acionamento

Se for necessário substituir peças do sistema de acionamento (por exemplo, cabos), proceda da seguinte forma:

1. Desativar o dispositivo (ver capítulo 5.3.5 "Desativando").
2. Substitua as peças.
3. Verifique a fixação correta das uniões de encaixe.
4. Inicie o sistema conforme a descrição no Manual de Instalação.

5.3.9 Eliminação

AVISO

Para a eliminação do aparelho em conformidade com as normas técnicas entre em contacto com uma entidade certificada que se dedique à reciclagem ou reaproveitamento de componentes electrónicos.

Em conformidade com as orientações WEEE-2012/19/EU e similares, o fabricante aceita devoluções de dispositivos e acessórios antigos para descarte profissional. Os custos de envio são da responsabilidade do remetente.

Sente-se com Kollmorgen em conexão e esclarecer a logística.

Envie os dispositivos, na embalagem original, para os endereços do fabricante:

North America	América do Sul
KOLLMORGEN 201 West Rock Road Radford, VA 24141, USA	KOLLMORGEN Avenida João Paulo Ablas, 2970 Jardim da Glória, Cotia – SP CEP 06711-250, Brazil
Europe	Ásia
KOLLMORGEN Europe GmbH Pempelfurtstr. 1 40880 Ratingen, Germany	KOLLMORGEN Room 302, Building 5, Lihpao Plaza, 88 Shenbin Road, Minhang District, Shanghai, China.

5.4 Descrição técnica e dados de caráter geral

5.4.1 Embalagem fornecida

Módulos MKD disponíveis

Variante	Descrição	Potência	Comentários
MKD-C003007-NAEC	Fonte de alimentação central	30 kW	Norma
MKD-C001007-CAEC	Fonte de alimentação central	10 kW	Condensador externo
MKD-N060007-DSEC	Módulo de unidade	2,5 kW	Eixo único, 6 A
MKD-N060607-DSEC	Módulo de unidade	5 kW	Eixos duplos, 2 x 6 A
MKD-N120007-DSEC	Módulo de unidade	5 kW	Eixo único, 12A
MKD-N120607-DSEC	Módulo de unidade	7,5 kW	Eixos duplos, 12 A + 6 A
MKD-N121207-DSEC	Módulo de unidade	10 kW	Eixos duplos, 2 x 12A
MKD-N240007-DSEC	Módulo de unidade	10 kW	Eixo único, 24A
MKD-N480007-DSEC	Módulo de unidade	20 kW	Eixo único, 48A

Quando um módulo MKD é encomendado, são incluídos na embalagem os seguintes itens:

Embalagem do MKD-C:

- O módulo encomendado, propriamente dito
- Cópia impressa do *MKD Product Safety Guide*
- DVD com o software de configuração, o WorkBench e toda a documentação do produto, em formato digital.
- Conectores acoplados do MKD-C: X12, X13, X14, X15, X16, X25
- Uma tampa do link DC-Bus do MKD-N
- Duas tampas de conectores M23 para o AKD-N

INFORMAÇÃO

As tampas de conectores M23 são necessárias para proteger o X2 do último AKD-N nos cabos.

Embalagem do MKD-N:

- O módulo encomendado, propriamente dito
- MKD-N Ficha informativa
- Conectores acoplados do MKD-N: X9, X24, X26

Acessórios:

Os acessórios devem ser encomendados separadamente, caso sejam necessários.

Acessórios do AKD-N, consulte o *manual de acessórios* regional ou o *AKD-N Installation Manual*.

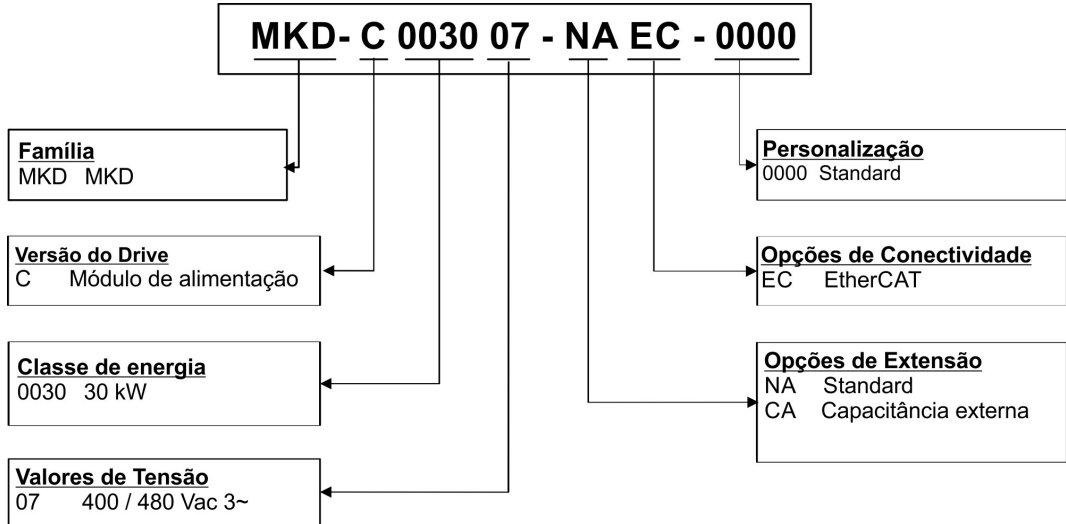
Peças sobresselentes

Descrição	Conectores incluídos	Código de encomenda
Kit de conectores	X12, X13, X14, X15, X16, X25	MKD-C-ConKit
Kit de conectores	X9A, X24A, X26A	MKD-N-ConKit Axis A
Kit de conectores	X9B, X24B, X26B	MKD-N-ConKit Axis B
Conetore 6...12A	X29A (6 pinos, placa de proteção etc.)	CON-MKD-N-06-12-X29A
Conetore 6...12A	X29B (6 pinos, placa de proteção etc.)	CON-MKD-N-X29B
Conetore 24...48A	X29A (4 pinos, placa de proteção etc.)	CON-MKD-N-24-48-X29A
Conetore 24...48A	X30A (2 pinos)	CON-MKD-N-X30A

5.4.2 Esquema do número das peças

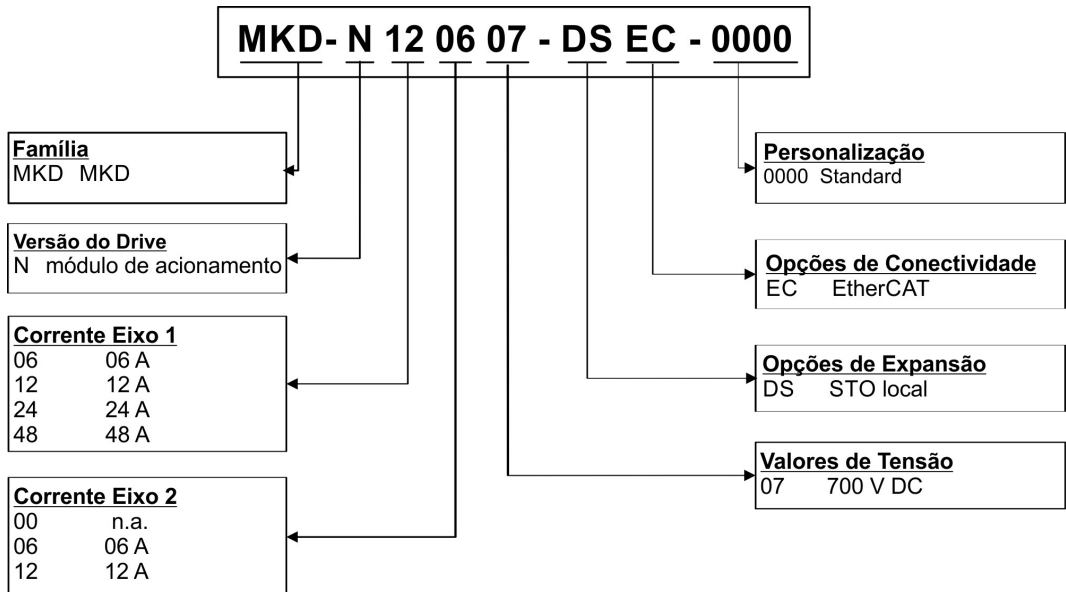
Utilize o esquema do número das peças apenas para fins de identificação do produto. Não utilize o esquema no processo de encomenda, porque nem todas as combinações de funcionalidades são sempre possíveis.

5.4.2.1 Módulos MKD-C



Código de personalização código de pedidos especiais (não é relevante em termos de segurança funcional).

5.4.2.2 Módulos MKD-N



Código de personalização código de pedidos especiais (não é relevante em termos de segurança funcional).


5.4.3 Dados Mecânicos

INFORMAÇÃO Dados Mecânicos (→ # 133)

5.4.4 Dados elétricos

INFORMAÇÃO Dados elétricos (→ # 131)

5.4.5 Condições ambientais em funcionamento normal

Armazenamento, transporte	(→ # 82)
Funcionamento normal	Classe ambiental 3K3, de acordo com a norma IEC 61800-2
Temperatura do ar ambiente em funcionamento	0 a +40 °C em condições nominais +40 a +55 °C com redução de corrente contínua de 4 % por °C
Humidade em funcionamento	Humidade relativa de 5 a 85%, sem condensação, classe 3K3
Altitude do local	Até 1000 metros acima do nível médio do mar sem restrições De 1000 ao máximo de 2000 metros acima do nível médio do mar, com redução de potência de 1,5%/100 m
Nível de poluição	Nível de poluição 2, segundo a norma IEC 60664-1
Vibrações	Classe 3M1 de acordo com a norma IEC 60721-3-3
Área ambiental	Quadro IP 54, de acordo com a norma IEC 60529
Posição de montagem	Vertical
Ventilação	Ventilador incorporado.
 CUIDADO	Emissão de ruído! Ruído contínuo até 90 dBA durante operação com carga máxima. Mantenha as portas do armário fechadas durante a operação. É obrigatório o uso de protetores auriculares se as portas dos armários precisarem ser abertas durante a operação normal.
AVISO	O dispositivo desliga-se se ocorrerem temperaturas excessivamente elevadas no quadro de comando. Certifique-se de que é disponibilizada ventilação forçada suficiente dentro do quadro de comando.

5.4.6 Limites do sistema

Comprimento do cabo 2/3	Máximo de 100 m de comprimento total por cabo.
Número de MKD-C	Limitado pelo protocolo fieldbus.
Número de eixos MKD-N	Máximo de 14 eixos no cabo 1, total máximo de 28 eixos, se os cabos 1 e 2 estiverem combinados (cumpra as restrições de potência e corrente totais).
Número de AKD-N	Máximo de 14 por cabo, total máximo de 28 nos cabos 2 e 3 (cumpra as restrições de potência e corrente totais).
Global STO (Cabo 2/3): Número de AKD-N	<ul style="list-style-type: none"> ● AKD-N Hardware Rev. A/B: 8 AKD-N ● AKD-N Hardware Rev. A/B com buffer de sinal: 14 AKD-N ● AKD-N Hardware Rev. C: 14 AKD-N
Corrente de saída	Utilize o fator de coincidência dos eixos para distribuição e otimização da potência do sistema. Cabo 1: 43 A, Cabo 2: 16 A, Cabo 3: 16 A
Potência total	De 565 V a 680 V, limitada a 30 kW.
Potência Cabo 2/3	De 565 V a 680 V, limitada a 10 kW por cabo.
Potência em standby por cabo	A 55 V, limitada a 180 W por cabo.
Potência do freio do motor	Pode controlar até 3 freios de motor por cabo. A potência disponível para os freios é de 76 W por cabo (= 3,2 A a 24 VCC).
Interface de serviço X18	Ethernet TCP/IP, 100Mbit/s, máx.comprimento do cabo 100m

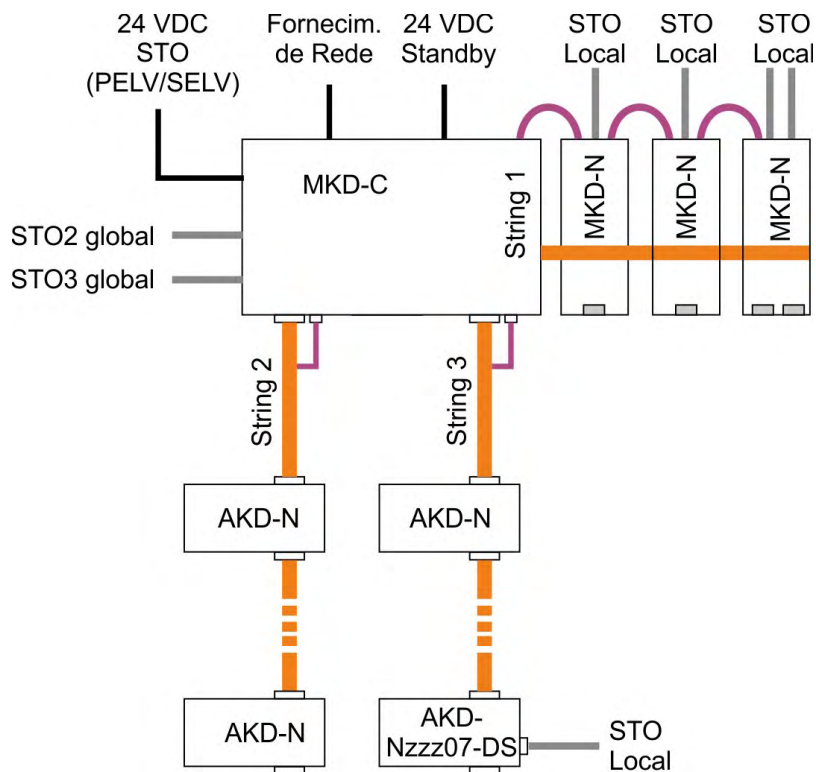
5.5 Binário de segurança desligado (STO)

A implementação da segurança STO do MKD está certificada. A implementação do circuito de segurança utilizada na função de segurança "Binário de segurança desligado" da unidade adequa-se ao SIL 2, de acordo com a IEC 62061, e PLd/CAT3, de acordo com a norma ISO 13849-1.

INFO

Para obter todas as informações sobre a segurança funcional, consulte o MKD *Installation Manual*.

É possível atingir as propriedades de segurança indicadas pela Kollmorgen listadas no apêndice (→ # 154) se forem utilizados os componentes Kollmorgen. A classificação de Segurança Funcional resultante (nível SIL e/ou PL) tem de ser calculada de forma transversal no sistema da unidade.



- Conector MKD-C X16:
 - entradas do STO global (Cabo 2/3) do sistema alimentado por este MKD-C.
- Conector MKD-N X26:
 - entrada STO local (eixo 1 e eixo 2, se incorporados) do módulo da unidade.
- Conectores AKD-N X6:
 - entrada STO local dos módulos da unidade AKD-N-DS/DT.

STO global

Há uma entrada de STO por cada cabo CC. O cabo de STO liberta a fase de potência de saída de todo o AKD-N (sem a opção DS/DT) ligado ao cabo, desde que seja aplicado um sinal de 24 V a esta entrada.

STO local

A entrada do STO local liberta a fase de potência de saída do eixo da unidade MKD-N, desde que seja aplicado um sinal de 24 V a esta entrada.

5.6 Instalação mecânica

INFORMAÇÃO

Para obter informações sobre as dimensões e sugestões de montagem, consulte (→ # 133) e o *MKD Installation Manual*.

5.6.1 Observações importantes

AVISO

Os dispositivos MKD-C e MKD-N devem ser montados apenas em quadros com proteção da classe IP 54, de acordo com a norma IEC 60529.



CUIDADO Alta corrente de fuga!

Há o perigo de ocorrer um choque elétrico por conta do alto nível de EMC que poderia resultar em lesões se o drive (ou o motor) não estiver aterrado contra EMC de forma adequada.

- Não use chapas de montagem pintadas (ou seja, não condutivas).
- Em circunstâncias desfavoráveis, use fita de malha de cobre entre os parafusos de ligação à terra e potencial de terra para desviar correntes.

AVISO

Proteja o dispositivo contra esforços não permitidos. Em particular, não permita que quaisquer componentes desenvolvam dobras ou que quaisquer distâncias de isolamento sejam alteradas durante o transporte e manuseamento. Evite o contacto com contactos e componentes eletrónicos.

AVISO

Os módulos irão desligar-se automaticamente em caso de sobreaquecimento. Certifique-se de que o espaço para montagem cumpre os requisitos (→ # 87).

AVISO

Não monte dispositivos que produzam campos magnéticos diretamente ao lado do dispositivo. Campos magnéticos fortes podem afetar diretamente os componentes internos. Instale os dispositivos que produzem campos magnéticos a alguma distância do MKD-C e/ou proteja os campos magnéticos.

5.6.2 Guia para a instalação mecânica

Para obter informações detalhadas, consulte o *MKD Installation Manual*. Como mínimo, são necessárias as seguintes ferramentas para instalar os módulos MKD-C e MKD-N; a instalação específica do cliente poderá necessitar de ferramentas adicionais.

- Parafusos de cabeça cilíndrica com sextavado interno M4 (ISO 4762)
- Chave Allen com cabo em T de 3 mm
- N.º 2 chaves de parafusos Phillips
- Chave de fendas pequena

Instale os módulos conforme se segue:

1. Prepare o local. Os módulos MKD têm de ser montados num quadro de comando fechado (→ # 87). O local deve estar livre de materiais corrosivos ou condutores.
2. Verifique se a ventilação dos módulos está desimpedida e mantenha-a à temperatura ambiente permitida (→ # 87). Mantenha o espaço desobstruído exigido acima e abaixo dos módulos (→ # 133).
3. Se forem utilizados sistemas de refrigeração no quadro de comando, posicione o sistema de refrigeração de modo a que a água da condensação não pingue sobre os módulos ou os dispositivos periféricos.
4. Monte o módulo da fonte de alimentação e os módulos da unidade na placa de montagem condutora, e com ligação à terra, do quadro.
5. Efetue a ligação à terra dos módulos, da placa de montagem, da caixa do motor, da GND da alimentação de 24 V e do CNC-GND do sistema de controlo.

INFORMAÇÃO

Para obter informações sobre a instalação mecânica do AKD-N na máquina, consulte o *AKD-N Installation Manual*.

5.7 Instalação elétrica

INFORMAÇÃO Para obter uma descrição geral dos conectores e das ligações elétricas, consulte (→ # 135) e o *MKD Installation Manual*.

5.7.1 Observações importantes

AVISO

Apenas os funcionários profissionais qualificados em engenharia elétrica podem instalar o sistema da unidade.



PERIGO

Alta tensão até 900 V!

Há um risco de lesão grave ou morte por choque elétrico ou por arco. Os capacitores podem ter tensões perigosas presentes até 5 minutos depois da fonte de alimentação estar desligada. Conexões de potência e controle podem estar ativas, mesmo que o motor não esteja em rotação.

- Somente instale ou ligue o equipamento quando desligado.
- Certifique-se de que o painel esteja desconectado com segurança (por exemplo, com um lock-out e sinais de aviso).
- Nunca remova conexões elétricas quando o drive ainda estiver ativo.
- Espere pelo menos 5 minutos depois de desconectar o drive da fonte de alimentação principal, antes de tocar nas seções do equipamento ativas ou desfazer quaisquer conexões.
- Para ter certeza, meça a tensão no link de barramento CC e espere até que a tensão esteja abaixo de 50 V.
- Certifique-se de que a tampa do link MKD-N DC-Bus esteja instalada no último MKD-N antes de ligar a alimentação elétrica.

AVISO

Como a corrente de fuga para TP tem mais de 3,5 mA, em conformidade com a IEC61800-5-1, a ligação à TP tem de ser duplicada ou tem de ser utilizado um cabo de ligação com uma secção transversal >10 mm². É possível um desvio dos valores de acordo com normas regionais.

AVISO

Uma tensão errada no link DC-Bus, um motor inapropriado ou ligações elétricas erradas irão danificar os componentes do sistema. Verifique a combinação de unidade e motor. Compare a tensão nominal com a corrente das unidades. Implemente as ligações elétricas de acordo com os diagramas de ligação: (→ # 135).

5.7.2 Guia para a instalação elétrica

Para obter mais detalhes, consulte o *MKD Installation Manual*. Instale o sistema elétrico da unidade da seguinte forma:

1. Selecione os cabos de acordo como a topologia de sistema selecionada (→ # 87).
2. Cumpra a definição de comprimento máximo do cabo (→ # 87).
3. Instale blindagem e faça a ligação à terra dos componentes do sistema (→ # 139).
4. Ligue os cabos dos componentes do sistema. Cumpra as "Recomendações de redução de ruído de EMI") y ligue todas as interfaces de acordo com os diagramas de ligações elétricas do *Installation Manual*.
5. Compare as ligações elétricas com os diagramas das ligações elétricas no *Installation Manual*.
6. Instale o link MKD-N DC Bus no mais tardar MKD-N.

INFORMAÇÃO Para obter informações sobre a instalação elétrica do AKD-N na máquina, consulte o *AKD-N Installation Manual*.

5.8 Configuração

INFORMAÇÃO

- Para obter informações detalhadas sobre a segurança funcional, consulte o *MKD Installation Manual*.
- Para obter os parâmetros de programação, consulte a ajuda online do WorkBench.
- A configuração do bus de campo é descrita no manual correspondente, no DVD.

5.8.1 Observações importantes

AVISO

Antes dos testes e da configuração, o fabricante da máquina deve gerar uma avaliação de riscos para a máquina e tomar as medidas adequadas para que movimentos imprevistos não possam causar ferimentos ou danos a quaisquer pessoas ou bens.

AVISO

Apenas o pessoal profissional com um conhecimento abrangente dos campos de engenharia elétrica e tecnologia de acionamento pode testar e configurar a unidade.



⚠ PERIGO Tensão letal!

Há risco de choque elétrico. As partes energizadas do dispositivo apresentam perigo letal.

- Medidas de proteção integradas, como isolamento ou blindagem, não devem ser removidas.
- Todo o trabalho na instalação elétrica deve ser desempenhado apenas por funcionários treinados e qualificados, em conformidade com as normas de segurança no trabalho, e somente com as fontes principais desligadas, sem risco de reiniciar.



⚠ ADVERTÊNCIA Início automático!

Risco de morte ou ferimento sério à humanos trabalhando na máquina. O drive pode reinicializar automaticamente depois de ligar, queda de tensão ou interrupção da tensão de alimentação, dependendo da configuração de parâmetro. Se o parâmetro DRV.ENDEFAULT for configurado como 1,

- coloque um aviso na máquina ("ATENÇÃO: Início automático possível" ou similar) e
- garanta, que ligar não seja possível, enquanto humanos estejam em uma área perigosa da máquina.



⚠ CUIDADO Alta temperatura!

Risco de queimaduras leves. O dissipador de calor do drive pode atingir temperaturas de até 80 °C quando em operação.

- Antes de manusear o drive, verifique a temperatura do dissipador.
- Aguarde até que o dissipador de calor esfrie para 40 °C.



⚠ CUIDADO Poluição de Alto Ruído!

Risco de danos à audição. Os ventiladores geram ruído de até 90 dBA ao operar na carga máxima..

- Mantenha as portas do gabinete fechadas durante a operação.
- Use proteção de ouvido se o painel de controle tiver que ser aberto durante a operação normal.

AVISO

Se um dispositivo ficar armazenado durante mais do que 1 ano, é necessário reformar os condensadores no circuito do link DC-Bus. Os procedimentos de reforma são descritos na Kollmorgen Developer Network ([Forming](#)).

5.8.2 Teste inicial do sistema

Preparação

1. Retire os dispositivos e os acessórios da embalagem. Cumpra as instruções de segurança fornecidas na documentação.
2. Monte os dispositivos e ligue os cabos do sistema.
3. Valide a instalação mecânica e elétrica.
4. Valide os endereços IP
5. Certifique-se de que tem as seguintes informações sobre os componentes da unidade:
 - Tensão nominal de alimentação da rede elétrica
 - tipo de motor (dados do motor, se o tipo de motor não constar na base de dados de motores)
 - unidade de feedback incorporada no motor (tipo, polos/linhas/protocolo)
 - momento de inércia da carga

Definir endereços do sistema

Sugerimos usar o Auto-IP. Coloque o comutador rotativo S1 em "0". Todos os dispositivos de rede conectados recebem um endereço IP exclusivo no intervalo 169.254.x.y.

O WorkBench procura o endereço IP na subrede, para detetar dispositivos na LAN e iniciar a comunicação. Para obter informações, consulte a WorkBench Ajuda Online.

Confirmar as ligações

Ligue a potência lógica de 24 VCC do sistema (a tensão da rede elétrica não é necessária para as comunicações). Confirme se o LED verde de comunicação está aceso no MKD-C e no PC.

Apesar de o Windows apresentar este ícone de funcionalidade limitada na ligação à unidade, o PC pode comunicar totalmente com a unidade. Utilizando o WorkBench, já pode configurar a unidade através desta ligação.

Instalar e iniciar o WorkBench

O WorkBench está disponível no DVD que acompanha a unidade e no website da Kollmorgen: www.kollmorgen.com. Selecione o ficheiro de instalação e siga as instruções dadas pelo instalador.

Depois de concluída a instalação, clique no ícone do WorkBench para iniciar o programa.

Parametrizar e ativar os eixos no WorkBench

Para obter informações, consulte a WorkBench Ajuda Online.

5.9 Resolução de problemas do sistema MKD

Os problemas da unidade ocorrem por diversas razões, dependendo das condições da sua aplicação. As causas de falhas em sistemas multiaxiais podem ser muito complexas. Se não for capaz de resolver uma falha, o apoio ao cliente da Kollmorgen poderá oferecer-lhe mais assistência.

AVISO

Elimine erros e falhas em conformidade com as regras de segurança no trabalho. A resolução de problemas só deve ser efetuada por funcionários qualificados e com a devida formação.

INFORMAÇÃO

Poderá encontrar mais detalhes sobre a remoção de falhas na ajuda online do WorkBench.

6 Español

6.1 General	94
6.1.1 Notas para la edición impresa (versión en papel)	94
6.1.2 Símbolos utilizados	95
6.2 Seguridad del producto	96
6.2.1 Debería prestar atención a las siguientes indicaciones	96
6.2.2 Usar según las indicaciones	98
6.2.3 Uso prohibido	99
6.2.4 Etiquetas de notas de advertencia	99
6.3 Manipulación del ciclo de vida del producto	100
6.3.1 Transporte	100
6.3.2 Embalaje	100
6.3.3 Almacenamiento	100
6.3.4 Instalación, configuración, funcionamiento normal	101
6.3.5 Desmantelamiento	101
6.3.6 Mantenimiento y limpieza	101
6.3.7 Desinstalación	101
6.3.8 Reparación	102
6.3.9 Eliminación	102
6.4 Datos generales y descripción técnica	103
6.4.1 Paquete suministrado	103
6.4.2 Esquema de números de referencia	104
6.4.3 Datos mecánicos	104
6.4.4 Datos eléctricos	104
6.4.5 Condiciones ambientales durante el funcionamiento normal	105
6.4.6 Límites del sistema	105
6.5 Función Safe Torque Off (STO)	106
6.6 Instalación mecánica	107
6.6.1 Notas importantes	107
6.6.2 Guía de instalación mecánica	107
6.7 Instalación eléctrica	108
6.7.1 Notas importantes	108
6.7.2 Guía de instalación eléctrica	108
6.8 Configuración	109
6.8.1 Notas importantes	109
6.8.2 Prueba inicial del sistema	110
6.9 Efectúe la resolución de problemas del sistema MKD	110

6.1 General

En este manual, la *guía de seguridad del producto MKD-C/N*, se presenta la información necesaria para la instalación y configuración segura de la MKD fuente de alimentación MKD-C y el servoaccionamiento MKD-N de los módulos del sistema.

INFORMACIÓN

Para obtener información completa, consulte el manual de instalación de *MKD-C/N*, el manual de instalación de *AKD-N* y los documentos Kollmorgen adicionales.

La información de MKD para uso consiste en:

- *Manual de instalación*: este documento describe los módulos MKD e incluye la información necesaria para instalar un sistema de forma segura.
- *Ayuda en línea de WorkBench*: aquí se describe cómo utilizar el sistema en aplicaciones comunes. También incluye consejos para maximizar el rendimiento de su sistema. La *ayuda en línea* incluye la *Guía de referencia de comandos y parámetros*, que muestra documentación sobre los parámetros y comandos que se emplean para programar el sistema.
- *Comunicación EtherCAT*: aquí se describe cómo utilizar el sistema en aplicaciones EtherCAT.

Estos documentos pueden encontrarse en el DVD del paquete del sistema. Puede descargar todos los documentos del sitio [Kollmorgen Developer Network](#).

6.1.1 Notas para la edición impresa (versión en papel)

Con cada producto, se incluye una versión impresa del manual. Por razones ecológicas, se redujo el tamaño del documento y se imprimió en DIN A5.

INFORMACIÓN

Si experimenta dificultades para leer el tamaño de la fuente de la versión impresa reducida, puede imprimir y usar la versión en PDF en formato 1:1 DIN A4. Puede encontrar la versión en PDF en el DVD que acompaña el producto y en el sitio web de Kollmorgen.

6.1.2 Símbolos utilizados

Symbol	Indication
 PELIGRO	Indica una situación de peligro que, si no se evita, puede ocasionar lesiones graves o la muerte.
 ADVERTENCIA	Indica una situación de peligro que, si no se evita, podría ocasionar lesiones graves o la muerte.
 ATENCIÓN	Indica una situación de peligro que, si no se evita, podría ocasionar lesiones leves a moderadas.
AVISO	Indica una situación que, si no se evita, podría ocasionar daños a la propiedad.
INFORMACIÓN	Este no es un símbolo de seguridad. Este símbolo indica notas importantes.
	Advertencia de peligro (general). En el texto de aviso que aparece al lado se especifica el tipo de peligro.
	Advertencia de peligro por electricidad y sus efectos.
	Peligro por superficie caliente.
	Advertencia de las cargas suspendidas.
	Advertencia de las reinicio automático.

6.2 Seguridad del producto

6.2.1 Debería prestar atención a las siguientes indicaciones

¡Se necesita personal especializado!

Las operaciones de transporte, instalación, puesta en funcionamiento y mantenimiento sólo podrán ser realizadas por personal cualificado. Por personal cualificado se entiende las personas que están familiarizadas con el transporte, la instalación, la puesta en funcionamiento y el manejo del producto.

- Transporte, almacenamiento, desembalaje: solo personal con conocimientos en el manejo de componentes con sensibilidad electrostática.
- Instalación mecánica: solo personal con experiencia en mecánica.
- Instalación eléctrica: solo personal con experiencia en electrotécnica.
- Pruebas básicas: solamente personal apto con conocimientos de ingeniería eléctrica y tecnología de la unidad.

El personal apto debe conocer y observar las normas ISO 12100, IEC 60364 y IEC 60664 y regulaciones nacionales sobre prevención de accidentes.

¡Lea la documentación!

Antes del montaje y de la puesta en funcionamiento, lea detenidamente la presente documentación. La manipulación incorrecta del dispositivo puede provocar daños personales o materiales. Por este motivo, el operador debe asegurarse de que todas las personas que vayan a realizar trabajos en el dispositivo hayan leído y comprendido.

¡Compruebe la revisión del hardware!

Compruebe el número de revisión del hardware del producto (ver etiqueta del producto) Los números de revisión del hardware de MKD-C y MKD-N pueden no coincidir. Este número es el enlace entre su producto y el manual. El número de revisión del hardware del producto debe coincidir con el número de revisión del hardware de la página de portada del manual.

¡Preste atención a los datos técnicos!

La conservación de los datos técnicos y los referentes a las condiciones de conexión (placa de identificación y documentación) es obligatoria. Si se sobrepasan los valores de tensión admisible o actual, pueden dañarse los dispositivos. Un motor inapropiado o un cableado incorrecto provocará daños en los componentes del sistema. Compruebe la combinación del sistema y del motor. Compare la corriente y la tensión nominal de las unidades.

¡Realice una valoración de los riesgos!

El fabricante de la máquina debe elaborar una evaluación de riesgos de la máquina y tomar las medidas apropiadas para garantizar que los movimientos imprevistos no ocasionen lesiones al personal ni daños materiales.

El fabricante debe definir comprobaciones periódicas de los componentes eléctricos y de la aplicación.

Reinicio automático

Es posible que el sistema se reinicie automáticamente tras encenderlo, que se produzca una caída de la tensión o una interrupción en la tensión de la alimentación en función del ajuste de los parámetros.

Riesgo de muerte o una lesión grave para las personas que trabajan en la máquina.

Si el parámetro DRV.ENDEFAULT para un MKD-N está establecido en 1, coloque un cartel de advertencia en la máquina (Advertencia: Reinicio automático durante el encendido) y asegúrese de que no se pueda realizar el encendido mientras se encuentren personas en una zona peligrosa de la máquina. En caso de que utilice un dispositivo de protección contra caídas de tensión, deberá cumplir con la norma EN 60204-1:2006, capítulo 7.5.



¡Tenga cuidado con los componentes sensibles a la electricidad electrostática!

Las unidades contienen componentes sensibles a la electrostática que pueden dañarse por causa de la manipulación incorrecta. Descargue la electricidad electrostática de su cuerpo antes de tocar la unidad. Evite el contacto con materiales altamente aislantes (tejidos artificiales, película de plástico, etc.). Ubique la unidad en una superficie conductiva.

¡Superficie caliente!

Durante el funcionamiento, los motores pueden tener superficies calientes según la clase de protección. Riesgo de quemaduras! La temperatura de las superficies puede alcanzar 80°C. Mida la temperatura y, antes de tocar el motor, espere hasta que se haya enfriado a 40°C.

**¡Toma de tierra!**

Es importante que se asegure de que la unidad está conectada a tierra a través de la barra colectora PE (tierra de protección) del armario de distribución. Riesgo de descargas eléctricas. Sin una conexión a tierra de baja resistencia, no se puede garantizar la protección personal.

**¡Corriente de fuga!**

Ya que la corriente de fuga a PE es superior a 3,5 mA, de acuerdo con la norma IEC61800-5-1, debe duplicarse la conexión PE o debe utilizarse un cable de conexión con una sección transversal mayor de 10 mm². Es posible que las medidas varíen de acuerdo con los estándares regionales.

Dispositivos de protección o supervisión de corrientes residuales.

El MKD-C con MKD-N puede generar una corriente de CC en el conductor de conexión a tierra de protección. Si se utiliza un dispositivo de protección contra corrientes residuales (RCD) o un dispositivo de supervisión (RCM) a modo de protección en caso de contacto directo o indirecto, solamente se permitirá un RCD o un RCM de tipo B en el lado de suministro de MKD-C.

Tensiones letales

El equipo genera tensiones eléctricas elevadas de hasta 900 V. Las partes activas del dispositivo conllevan un peligro mortal. No abra ni toque el equipo durante el funcionamiento. Mantenga las puertas del armario de distribución IP 54 cerradas durante el funcionamiento. Las medidas de protección integradas, como el aislamiento o el blindaje, no deben retirarse. El trabajo en la instalación eléctrica solo se puede realizar con la alimentación eléctrica desconectada y asegurada contra reinicio. No manipule nunca las conexiones eléctricas del MKD cuando se encuentren bajo tensión. Existe peligro de que se produzca un arco eléctrico con daños en los contactos y lesiones personales. Espere por lo menos 5 minutos después de desconectar el producto de las tensiones de suministro antes de tocar partes del equipo conductoras o de retirar cualquier conexión. Asegúrese de que la cubierta de enlace del bus de CC esté instalada en el último MKD-N antes de encender la alimentación de red.

**Contaminación de alto ruido!**

Los ventiladores generan un ruido de hasta 90 dBA cuando funcionan con la carga máxima. Esto puede provocar daños en la audiencia. Mantenga las puertas del gabinete cerradas durante la operación. Use protección auditiva si el gabinete de control debe abrirse durante el funcionamiento normal. El operador debe proporcionar protección para los oídos y controlar su uso según el nivel de exposición al ruido diario determinado.

**Seguridad funcional**

La implementación de seguridad STO en el MKD está certificada. La entrada de interrupción del freno puede utilizarse para poner en marcha una función SBC. El usuario debe llevar a cabo la evaluación de las funciones de seguridad de acuerdo con EN 13849 o EN 62061.

¡No modifique nunca la unidad!

No está permitido modificar el hardware del servoamplificador sin permiso del fabricante. Abrir la carcasa provoca la pérdida de la garantía.

6.2.2 Usar según las indicaciones

Los suministros de alimentación de la serie MKD-C están diseñados exclusivamente para hacer funcionar módulos de servoaccionamiento MKD-N en un armario de distribución y servoaccionamientos descentralizados AKD-N.

Los servoaccionamientos de la familia MKD-N están diseñados exclusivamente para controlar servomotores síncronos adecuados con un control de par, velocidad y/o posición de bucle cerrado. Los módulos del sistema MKD son componentes integrados en plantas eléctricas o en máquinas y que solo se pueden usar como componentes integrales de dichas plantas o máquinas. El fabricante de la máquina debe generar una evaluación de riesgos para la máquina. El sistema no deberá utilizarse hasta que se haya determinado que la máquina cumple los requisitos de las directivas regionales.

Sistema multiteje Kollmorgen

MKD solo debe utilizarse en un sistema de movimiento con componentes de Kollmorgen. Los componentes de Kollmorgen adicionales requeridos son las bobinas de corriente, los cables de cadenas híbridos, los cables de motor híbridos, los cables de alimentación del motor y de retroalimentación, y los servomotores.

Montaje

Los módulos MKD solo se deben usar en entornos adecuados para las condiciones ambientales definidas en (→ # 105).

Cableado

Utilice únicamente cables Kollmorgen para conectar los componentes del sistema.

Fuente de alimentación

El **MKD-C** debe recibir alimentación de una red de suministro industrial de 3 fases (no superior a una corriente nominal simétrica de 42 kA a 400 V y 480 V) a través de la bobina de corriente 3L.

Los sistemas de la serie **MKD-N** deben estar alimentados por módulos de suministro de alimentación inteligentes MKD-C con tensión de CC de 55 V de CC hasta 800 V de CC.

Fusión

Los dispositivos deben utilizarse con protección para los fusibles frente a sobrecargas de alimentación.

Tensión nominal del motor

La tensión nominal de los motores debe ser al menos tan elevada como la tensión de la conexión del bus de CC dividida entre $\sqrt{2}$ producida por el sistema ($U_{nMotor} \geq U_{CC} / \sqrt{2}$).

Para los casos de instalaciones en grupo y de unidades alimentadas por CC:

AVISO

MKD-C no ha sido evaluado por Kollmorgen, UL, o TÜV para las instalaciones en grupo, ni existen valores definidos para una fuente de alimentación de CC.

Suministro de tensión auxiliar, alimentación en espera

La alimentación en espera para las cadenas del sistema solo deben utilizarse para suministrar alimentación a los componentes electrónicos del MKD-N. La unidad de suministro de 24 V de CC debe cumplir con los requisitos de la norma PELV (EN 60204-1).

Función Safe Torque Off

Consulte la sección "Usar según las indicaciones" del capítulo de STO (→ # 106) antes de utilizar esta función de seguridad. La unidad de suministro de 24 V de CC para el suministro STO global debe cumplir con los requisitos de la norma PELV (EN 60204-1).

6.2.3 Uso prohibido

No está previsto ningún otro uso que el indicado en el capítulo "Usar según las indicaciones", que podría provocar lesiones personales o daños en el equipo.

El sistema no se puede utilizar

- con una máquina que no cumpla las directivas o los estándares nacionales pertinentes
- para controlar ascensores,
- en aplicaciones con cortocircuitos operativos continuos a los contactos de resistores de regeneración externos.
- en aplicaciones con cortocircuitos a los contactos de la conexión del bus de CC.

También está prohibido el uso del dispositivo en los siguientes entornos:

- áreas potencialmente explosivas
- entornos con ácidos conductores corrosivos y/o eléctricos, soluciones alcalinas, aceites, vapores, polvo
- barcos o aplicaciones marítimas

No está permitido conectar el sistema con cables híbridos de fabricantes distintos de Kollmorgen. No está permitido cambiar cables o conectores de Kollmorgen.

6.2.4 Etiquetas de notas de advertencia

AVISO

Si estos rótulos están dañados, deberán sustituirse inmediatamente.

6.2.4.1 Las notas deben colocarse sobre el producto

 <p>The minimum size of the protective earthing conductor shall comply with the local safety regulations for high protective earthing conductor current.</p>	 <p>Residual Voltage Wait 5 minutes after removing power before servicing.</p>
<p>Traducción: El tamaño mínimo del conductor de conexión a tierra de protección debe cumplir con las normativas de seguridad locales para corrientes de conductores de conexión a tierra de alta protección.</p>	<p>Traducción: Tensión residual Espere 5 minutos después de desconectar la alimentación antes de realizar una reparación.</p>

En un sistema con supercondensadores, el tiempo de espera para el mantenimiento puede aumentar. Según la evaluación de riesgos, el usuario debe colocar etiquetas de advertencia adicionales en el gabinete de control.

6.3 Manipulación del ciclo de vida del producto

6.3.1 Transporte

Transporte los módulos MKD de acuerdo con la norma IEC 61800-2 tal y como se indica a continuación:

- Transpórtelo solamente por personal cualificado en el embalaje reciclable original del fabricante.
- Evite choques durante el transporte.
- Vibración/Choque: MKD los módulos están probados para la clase medioambiental 3M1 de IEC 60721-3-2.
- Almacénelo a una altura de apilado máxima de 8 cajas o inferior
- Realice el transporte solamente dentro de los rangos de temperatura especificados: -25 a +70 °C, como máximo tasa de cambio máx. 20 K/hora, clase 2K3.
- Realice el transporte solamente a la humedad especificada: 95 % de humedad relativa como máximo, sin condensación, clase 2K3.

AVISO

Los dispositivos contienen componentes sensibles a la electricidad electrostática que pueden resultar dañados si no se manejan correctamente. Descárguese electrostáticamente antes de tocar el dispositivo. Evite el contacto con materiales altamente aislantes como, por ejemplo, tejidos artificiales y películas de plástico. Coloque el dispositivo sobre una superficie conductora.

Si el embalaje está dañado, compruebe si la unidad tiene daños visibles. Informe al transportista y al fabricante de cualquier daño en el embalaje o en el producto.

6.3.2 Embalaje

El embalaje del MKD está hecho de cartón reciclable con encartes y una etiqueta en la parte exterior de la caja.

Modelo	Dimensiones del paquete (mm) altura x ancho x longitud	Peso total (kg)
MKD-C003007	580 x 350 x 170	22,5
MKD-C001007-CA	580 x 350 x 170	22,5
MKD-N060007, MKD-N060607, MKD-N120007, MKD-N120607, MKD-N121207	580 x 350 x 110	8,5
MKD-N240007	580 x 350 x 110	9,5
MKD-N480007	580 x 350 x 140	11,5

6.3.3 Almacenamiento

Almacene los módulos MKD de acuerdo con la norma IEC 61800-2 tal y como se indica a continuación:

- Almacénelo solamente en el embalaje reciclable original del fabricante.
- Almacénelo a una altura de apilado máxima de 8 cajas o inferior
- Almacénelo solo dentro de los rangos de temperatura especificados: -25 a +55 °C, rango de cambio máx. 20K/hora, clase 1K4.
- Almacénelo solo a la humedad especificada: 5 a 95 % de humedad relativa, sin condensación, clase 1K3.
- Almacene el MKD de acuerdo con los siguientes requisitos de duración:
 - Menos de 1 año: sin restricciones.
 - Más de 1 año: es necesario modificar los condensadores del MKD-C antes de configurar y utilizar el sistema. Los procedimientos de modificación se describen en la red de desarrolladores de Kollmorgen ([Formación](#)).

6.3.4 Instalación, configuración, funcionamiento normal

En esta guía se facilita información acerca de la instalación y la configuración:

- Instalación mecánica (→ # 107)
- Instalación eléctrica (→ # 108)
- Configuración (→ # 109)

Funcionamiento normal probado para la clase medioambiental 3K3 de acuerdo con la norma IEC 61800-2 (→ # 105).

El fabricante de la máquina define los conocimientos de usuario necesarios en función de la evaluación del riesgo para la máquina y describe los requisitos para el funcionamiento normal en función de la aplicación.

6.3.5 Desmantelamiento

AVISO

Solo el personal profesional que esté cualificado en electrotecnia puede desmantelar piezas del sistema.

PELIGRO: ¡Voltaje letal! Existe el riesgo de lesiones graves o mortales debido a choque eléctrico o arco eléctrico.

- Apague el interruptor principal del armario eléctrico.
- Asegure el sistema contra reinicios
- Bloquear el interruptor principal.
- Espere al menos 5 minutos después de desconectar la unidad del suministro de energía principal.

6.3.6 Mantenimiento y limpieza

La unidad no requiere mantenimiento. Si abre la unidad, se anulará la garantía. La limpieza del interior de la unidad solo puede realizarla el fabricante.

AVISO

No sumerja ni pulverice la unidad. Evite que el líquido entre en el dispositivo.

Para limpiar el exterior de la unidad:

1. Desmantelar el dispositivo (consulte el capítulo 6.3.5 "Desmantelamiento").
2. Carcasa: limpie con alcohol isopropílico o una solución de limpieza similar.

ATENCIÓN: ¡Altamente inflamable! Riesgo de lesiones por explosión e incendio.

- Respete las notas de seguridad incluidas en el paquete del líquido de limpieza.
 - Espere al menos 30 minutos tras realizar la limpieza antes de utilizar de nuevo el dispositivo.
3. Parrilla de protección del ventilador: limpie con un cepillo seco.

6.3.7 Desinstalación

AVISO

Solo el personal profesional que esté cualificado en electrotecnia puede cambiar piezas del sistema de potencia.

Retire el dispositivo

1. Desmantelar el dispositivo (consulte el capítulo 6.3.5 "Desmantelamiento").
2. Compruebe la temperatura.

ATENCIÓN: ¡Alta temperatura! Riesgo de quemaduras leves. Durante la operación, el disipador térmico de la unidad puede alcanzar temperaturas superiores a los 80 °C (176 °F). Antes de tocar el dispositivo, compruebe la temperatura y espere hasta que se haya enfriado a 40 °C (104 °F).

3. Quite los conectores. Por último, desconecte la posible conexión a tierra.
4. Desinstale: afloje los tornillos de fijación. Extraiga el dispositivo.

6.3.8 Reparación

AVISO

Solo el personal profesional que esté cualificado en electrotecnia puede cambiar piezas del sistema de potencia.

ATENCIÓN: ¡Inicio automático! Durante las tareas de sustitución, pueden producirse varios incidentes y situaciones peligrosas.

- Solo el personal formado y cualificado puede trabajar en la instalación eléctrica, de acuerdo con las regulaciones sobre seguridad en el trabajo y usando únicamente el equipo de seguridad personal prescrito.

Cambio del dispositivo

Solamente el fabricante puede reparar el dispositivo. Si abre el dispositivo se anula la garantía.

1. Desmantelar el dispositivo (consulte el capítulo 6.3.5 "Desmantelamiento").
2. Desinstalar el dispositivo (consulte el capítulo 6.3.7 "Desinstalación").
3. Envíe el dispositivo al fabricante.
4. Instale un nuevo dispositivo como se describe en el Manual de Instalación.
5. Configure el sistema como se describe en el Manual de Instalación.

Cambio de otras piezas del sistema de potencia

Si deben sustituirse piezas del sistema de potencia (por ejemplo, los cables), siga el procedimiento que se indica a continuación:

1. Desmantelar el dispositivo (consulte el capítulo 6.3.5 "Desmantelamiento").
2. Cambie las piezas.
3. Compruebe que todas las conexiones estén bien fijadas.
4. Configure el sistema como se describe en el Manual de Instalación.

6.3.9 Eliminación

AVISO

Para desechar la unidad correctamente, póngase en contacto con una empresa de reciclaje de aparatos electrónicos certificada.

De acuerdo con la directiva WEEE-2012/19/EU y leyes similares, el fabricante acepta la devolución de dispositivos y accesorios viejos para una eliminación profesional. Los costos de transporte están a cargo del remitente.

Póngase en contacto con Kollmorgen y clarificar la logística.

Envíe los dispositivos en el embalaje original a las direcciones de los fabricantes:

América del Norte	América del Sur
KOLLMORGEN 201 West Rock Road Radford, VA 24141, USA	KOLLMORGEN Avenida João Paulo Ablas, 2970 Jardim da Glória, Cotia – SP CEP 06711-250, Brazil
Europe	Asia
KOLLMORGEN Europe GmbH Pempelfurtstr. 1 40880 Ratingen, Germany	KOLLMORGEN Room 302, Building 5, Lihpao Plaza, 88 Shenbin Road, Minhang District, Shanghai, China.

6.4 Datos generales y descripción técnica

6.4.1 Paquete suministrado

Módulos MKD disponibles

Variante	Descripción	Alimentación	Comentarios
MKD-C003007-NAEC	Fuente de alimentación central	30 kW	Estándar
MKD-C001007-CAEC	Fuente de alimentación central	10 kW	Condensador externo
MKD-N060007-DSEC	Módulo del sistema	2,5 kW	Eje único, 6A
MKD-N060607-DSEC	Módulo del sistema	5 kW	Ejes dobles, 2 x 6A
MKD-N120007-DSEC	Módulo del sistema	5 kW	Eje único, 12A
MKD-N120607-DSEC	Módulo del sistema	7,5 kW	Ejes dobles, 12A + 6A
MKD-N121207-DSEC	Módulo del sistema	10 kW	Ejes dobles, 2 x 12A
MKD-N240007-DSEC	Módulo del sistema	10 kW	Eje único, 24A
MKD-N480007-DSEC	Módulo del sistema	20 kW	Eje único, 48A

Cuando se pide un módulo MKD, los siguientes elementos están incluidos en el paquete:

Paquete MKD-C:

- El propio módulo pedido
- Copia impresa de la *Guía de seguridad del producto MKD*
- DVD con el software de configuración, WorkBench, y toda la documentación del producto en formato digital.
- Conectores correspondientes MKD-C: X12, X13, X14, X15, X16, X25
- Una cubierta de la conexión del bus de CC MKD-N
- Dos cubiertas de conectores M23 para AKD-N

INFORMACIÓN

Se necesitan cubiertas del conector M23 para proteger el X2 del último AKD-N de los cadenas.

Paquete MKD-N:

- El propio módulo pedido
- MKD-N Hoja de datos
- Conectores correspondientes MKD-N: X9, X24, X26

Accesorios:

En caso de ser necesario, los accesorios deben pedirse por separado.

Accesorios para el AKD-N, consulte el *manual de accesorios* regional o el *manual de instalación del AKD-N*.

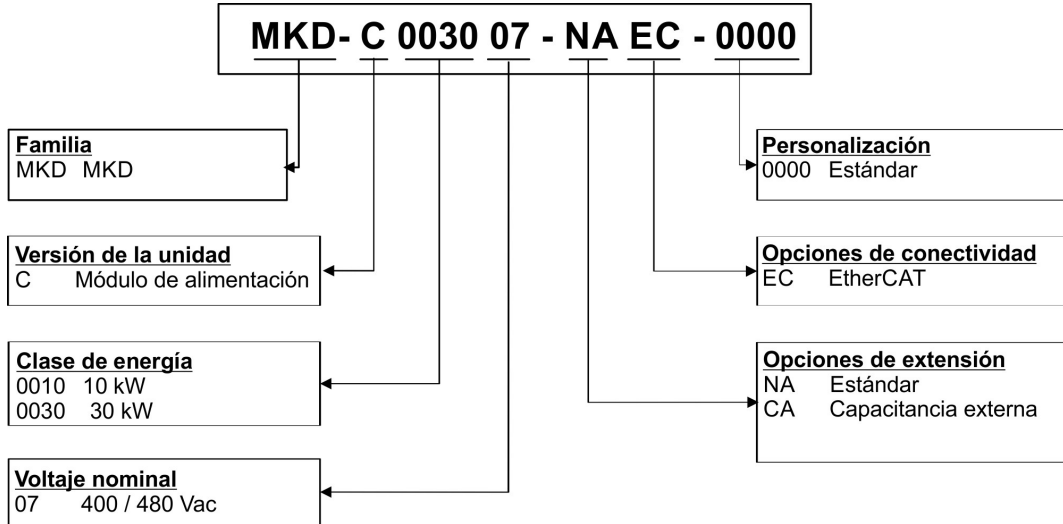
Piezas de repuesto

Descripción	Conectores incluidos	Código de orden
Kit de conectores	X12, X13, X14, X15, X16, X25	MKD-C-ConKit
Kit de conectores	X9A, X24A, X26A	MKD-N-ConKit Axis A
Kit de conectores	X9B, X24B, X26B	MKD-N-ConKit Axis B
Conector 6...12A	X29A (6 pines, placa de protección, etc.)	CON-MKD-N-06-12-X29A
Conector 6...12A	X29B (6 pines, placa de protección, etc.)	CON-MKD-N-X29B
Conector 24...48A	X29A (4 pines, placa de protección, etc.)	CON-MKD-N-24-48-X29A
Conector 24...48A	X30A (2 pines)	CON-MKD-N-X30A

6.4.2 Esquema de números de referencia

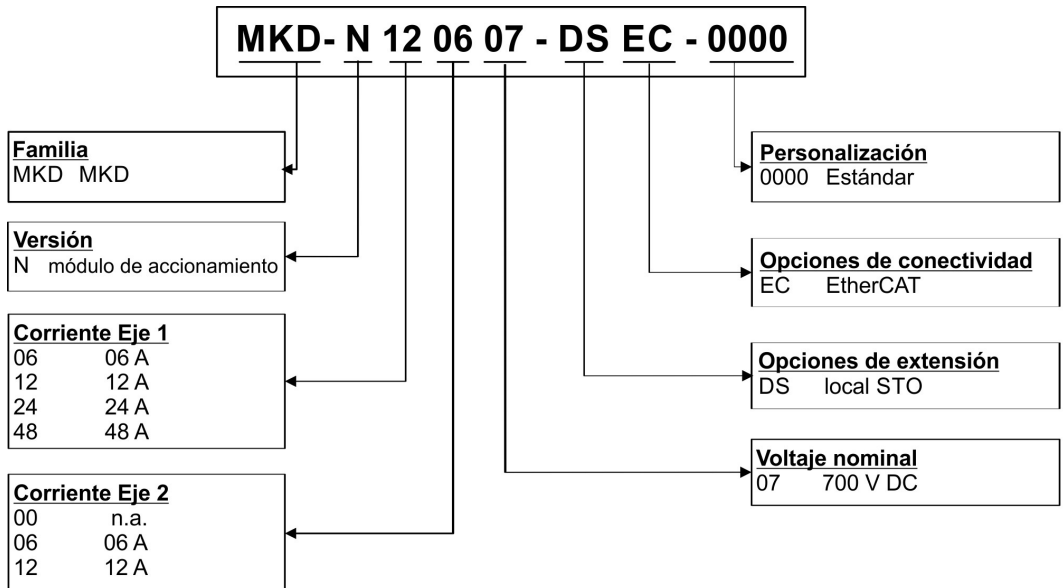
El esquema de números de referencia debe usarse únicamente para la identificación de productos, no para realizar pedidos, ya que no están disponibles todas las combinaciones de características en todo momento.

6.4.2.1 Módulos MKD-C



Codificación del **código de personalización** para aplicaciones especiales de los clientes (no relevante para la seguridad funcional).

6.4.2.2 Módulos MKD-N



Codificación del **código de personalización** para aplicaciones especiales de los clientes (no relevante para la seguridad funcional).


6.4.3 Datos mecánicos

INFORMACIÓN Datos mecánicos (→ # 133)

6.4.4 Datos eléctricos

INFORMACIÓN Datos eléctricos (→ # 131)

6.4.5 Condiciones ambientales durante el funcionamiento normal

Almacenamiento, transporte	(→ # 100)
Funcionamiento normal	Clase medioambiental 3K3 de acuerdo con la IEC61800-2
Temperatura del aire ambiental durante el funcionamiento	de 0 a +40 °C en condiciones nominales De +40 a +55 °C con reducción de corriente del 4 % en °C
Humedad durante el funcion.	Humedad relativa de 5-85%, sin condensación, clase 3K3
Altitud del emplazamiento	Hasta 1000 metros sobre el nivel del mar sin restricciones 1000 hasta un máximo de 2000 metros por encima del nivel del mar con reducción de potencia del 1,5 %/100 m
Nivel de contaminación	Nivel de contaminación 2 según la norma IEC 60664-1
Vibraciones	Clase 3M1 según la IEC 60721-3-3
Zona ambiental	Armario de distribución IP 54 según la norma IEC 60529
Posición de montaje	Vertical
Ventilación	Ventilador incorporado.
 ATENCIÓN	Emisión de ruido! Ruido continuo hasta 90 dBA durante el funcionamiento con carga máxima. Mantenga las puertas del gabinete cerradas durante la operación. Es obligatorio usar protección auditiva si las puertas del gabinete deben abrirse durante el funcionamiento normal.
AVISO	El dispositivo se apagará en caso de que exista una temperatura excesivamente elevada en el armario de distribución de control. Asegúrese de que se suministre una ventilación forzada suficiente dentro del armario de distribución de control.

6.4.6 Límites del sistema

Cadena de longitud 2/3	Longitud total máxima del cable de 100 m por cadena
Número de MKD-C	Limitado por el protocolo del bus de campo.
Número de ejes MKD-N	Máximo de 14 ejes para el cadena 1, máximo total de 28 ejes si los cadenas 1 y 2 están combinados (cumpla con las restricciones totales de alimentación y corriente).
Número de AKD-N	Máximo de 14 ejes por cadena, máximo total de 28 en las cadenas 2 y 3, (cumpla con las restricciones totales de alimentación y corriente).
Global STO (cadena 2/3): Número de AKD-N	<ul style="list-style-type: none"> ● AKD-N Hardware Rev. A/B: 8 AKD-N ● AKD-N Hardware Rev. A/B con buffer de señal: 14 AKD-N ● AKD-N Hardware Rev. C: 14 AKD-N
Corriente de salida	Utilice el factor de coincidencia de los ejes para la distribución y la optimización de la alimentación del sistema. Cadena1: 43 A, cadena2: 16 A, cadena3: 16 A
Alimentación total	A 565 V hasta 680 V, limitado a 30 kW.
Alim. del cadena 2/3	A 565 V hasta 680 V, limitado a 10 kW para cada cadena.
Alimentación en espera del cadena	A 55 V, limitado a 180 kW para cada cadena.
Alimentación del freno motor	Puede controlar hasta 3 frenos motor por cadena. La alimentación disponible para los frenos es de 76W por cadena (=3,2A a 24Vcc)
Interfaz de servicio X18	Ethernet TCP/IP, 100Mbit/s, máx. distancia del cable de 100m

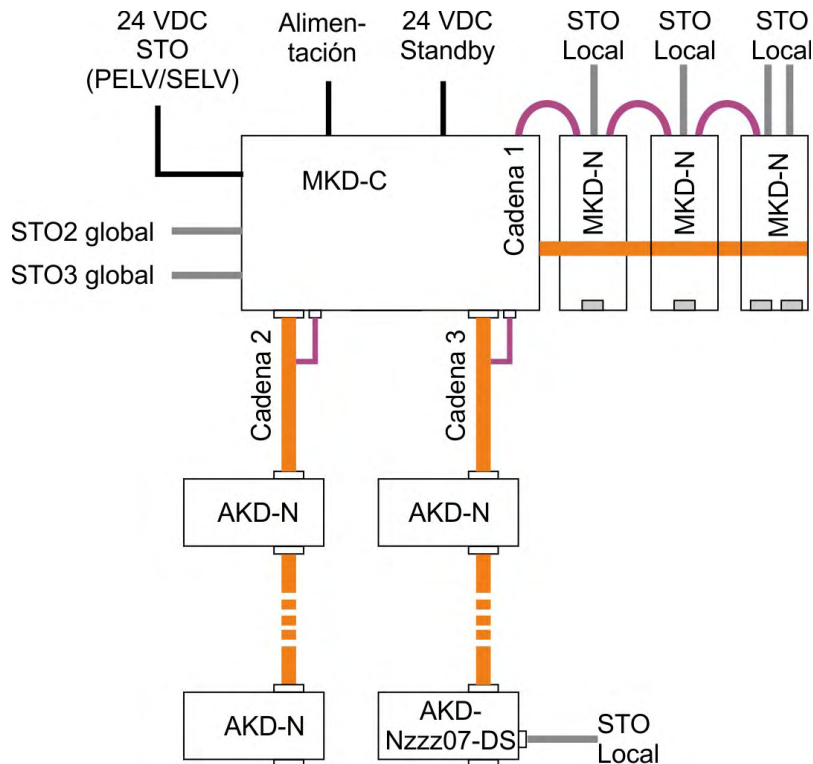
6.5 Función Safe Torque Off (STO)

La implementación de seguridad STO en el MKD está certificada. La implementación del circuito de seguridad utilizado para la función de seguridad "Desactivación de par por seguridad" en el sistema es adecuada para SIL 2, según la norma IEC 62061, y Plid / CAT3, según la norma ISO 13849-1.

INFO

Consulte el *MKD Manual de instalación* de para obtener información completa acerca de la seguridad funcional.

Las propiedades de seguridad facilitadas por Kollmorgen enumeradas en el apéndice (→ # 154) pueden alcanzarse si se utilizan los componentes del Kollmorgen. La clasificación de la seguridad funcional resultante (SIL y/o nivel de PL) debe calcularse en el sistema.



- Conector X16 de MKD-C:
 - entradas de STO (cadena 2/3) globales del sistema alimentado por este MKD-C.
- Conector X26 de MKD-N:
 - entrada STO local (eje 1 y eje 2 si está incorporado) del módulo del sistema.
- Conectores X6 de AKD-N:
 - entrada STO local de los módulos del sistema AKD-N-DS/DT.

STO global

Hay una entrada STO por cada cadena de alimentación de CC. La entrada STO de la cadena libera la fase de salida de alimentación de todos los AKD-N (sin opción DS/DT) conectados a la cadena mientras que se aplique una señal de 24 V a esta entrada.

STO local

La entrada STO local libera la fase de salida de alimentación del eje del sistema MKD-N mientras que se aplique una señal de 24 V a esta entrada.

6.6 Instalación mecánica

INFORMACIÓN Para obtener información sobre las dimensiones y el montaje, consulte (→ # 133) y el *manual de instalación de MKD*.

6.6.1 Notas importantes

AVISO

Los dispositivos MKD-C y MKD-N solamente deben montarse en armarios de distribución que dispongan de la clase de protección IP 54 de acuerdo con la norma IEC 60529.



ATENCIÓN ¡Alta corriente de fuga!

Existe peligro de descarga eléctrica por el elevado nivel de CE que podría causar lesiones si la unidad (o el motor) no tiene la conexión a tierra a CE adecuada.

- No utilice placas de montaje pintadas (es decir, no conductoras).
- El uso en casos desfavorables una cinta de malla de cobre entre el conector de tierra y tierra para disipar las corrientes.

AVISO

Proteja el dispositivo de tensiones inadmisibles. En particular, evite que se doblen los componentes o que se alteren las distancias de aislamiento durante el transporte y la manipulación. Evite tocar los componentes electrónicos y los contactos.

AVISO

Los módulos se apagarán automáticamente en caso de sobrecalentamiento. Asegúrese de que el espacio de montaje satisfaga los requisitos (→ # 105).

AVISO

No monte dispositivos que produzcan campos magnéticos directamente junto al dispositivo. Los campos magnéticos intensos pueden afectar directamente a los componentes internos. Instale los dispositivos que produzcan campos magnéticos a distancia del MKD-C y/o aisle el campo magnético.

6.6.2 Guía de instalación mecánica

Si desea obtener información detallada, consulte el *manual de instalación de MKD*. Las siguientes herramientas son necesarias (como mínimo) para instalar los módulos MKD-C y MKD-N. Para su instalación específica puede que se necesiten herramientas adicionales.

- Tornillos M4 de cabeza cilíndrica con hueco hexagonal (ISO 4762)
- Llave Allen con mango en T de 3 mm
- Destornilladores núm. 2 con cabeza Phillips
- Destornillador plano pequeño

Instale los módulos tal y como se indica a continuación:

1. Prepare el lugar. Los módulos MKD deben montarse en un armario de distribución cerrado (→ # 105). El lugar debe estar libre de materiales conductores o corrosivos.
2. Compruebe que la ventilación de los módulos está libre y que se mantiene dentro de la temperatura ambiente permitida (→ # 105). Mantenga el espacio libre necesario entre la parte superior e inferior de los módulos (→ # 133).
3. Si los sistemas de refrigeración se usan para el armario de distribución, coloque el sistema de refrigeración de tal manera que la condensación no caiga sobre los módulos o sobre los dispositivos periféricos.
4. Monte el módulo de suministro de alimentación y los módulos del sistema en la placa de montaje conductora conectada a tierra en el armario de distribución.
5. Conecte a tierra los módulos, la placa de montaje, la carcasa del motor, la conexión a tierra del suministro de 24 V y el CNC-GND del sistema de control.

INFORMACIÓN Para obtener información acerca de la instalación mecánica del AKD-N a la máquina, consulte el *manual de instalación del AKD-N*.

6.7 Instalación eléctrica

INFORMACIÓN Para obtener una descripción general sobre los conectores y las conexiones, (→ # 135) y el *manual de instalación de MKD*.

6.7.1 Notas importantes

AVISO

La instalación de la unidad debe encomendarse única y exclusivamente a personal profesional y cualificado en ingeniería eléctrica.



PELIGRO

¡De alta tensión hasta 900 V!

Existe el riesgo de lesiones graves o mortales debido a choque eléctrico o arco eléctrico. Los capacitores aún pueden presentar voltajes peligrosos hasta 5 minutos después de desconectar el suministro de energía. Las conexiones de control y alimentación aún pueden estar activas incluso si el motor no está girando.

- Instalar y cablear el equipo únicamente en el estado de apagado.
- Asegúrese de desconectar de manera segura el armario (por ejemplo, con un sistema de bloqueo y señales de advertencia).
- No elimine las conexiones eléctricas a la unidad mientras la misma está activa.
- Espere al menos 5 minutos después de desconectar la unidad del suministro de energía principal antes de tocar secciones posiblemente activas del equipo o desarmar cualquier conexión.
- Para asegurarse, mida el voltaje en enlace de bus de CC y espere hasta que este sea inferior a 50 V.
- Asegúrese de que la cubierta de enlace del bus de CC MKD-N esté instalada en el último MKD-N antes de encender la alimentación de red.

AVISO

Ya que la corriente de fuga a PE es superior a 3,5 mA, de acuerdo con la norma IEC61800-5-1, debe duplicarse la conexión PE o debe utilizarse un cable de conexión con una sección transversal mayor de 10 mm². Es posible que las medidas varíen de acuerdo con los estándares regionales.

AVISO

Una tensión de la conexión del bus de CC incorrecta, un motor inapropiado o un cableado incorrecto provocará daños en los componentes del sistema. Compruebe la combinación del sistema y del motor. Compare la corriente y la tensión nominal de las unidades. Realice el cableado de acuerdo con los diagramas de conexión: (→ # 135).

6.7.2 Guía de instalación eléctrica

Para obtener más información, consulte el *manual de instalación del MKD*. Instale el sistema eléctrico del sistema tal y como se indica a continuación:

1. Seleccione los cables de acuerdo con la topología planeada del sistema y (→ # 105).
2. Consulte la especificación de la longitud máxima del cable (→ # 105).
3. Instale el blindaje, conecte a tierra los componentes del sistema y (→ # 139).
4. Conecte los componentes del sistema. Siga los consejos que figuran en el capítulo "Recomendaciones para la reducción de ruidos de interferencias electromagnéticas" y conecte toda la interfaz de acuerdo con los diagramas de cableado del *Manual de Instalación del MKD*.
5. Compare el cableado con los diagramas de cableado del *Manual de Instalación*.
6. Instale el enlace del bus de CC MKD-N en la última versión de MKD-N.

INFORMACIÓN Para obtener información acerca de la instalación eléctrica del AKD-N en la máquina, consulte el *manual de instalación del AKD-N*.

6.8 Configuración

INFORMACIÓN

- Consulte el *Manual de instalación de MKD* para obtener información detallada acerca de la seguridad funcional.
- Programación de parámetros: consulte la ayuda en línea de WorkBench.
- La configuración del bus de campo se describe en el manual correspondiente del DVD.

6.8.1 Notas importantes

AVISO

Antes de realizar la prueba y la configuración, el fabricante de la máquina debe generar una evaluación de riesgos para la máquina y tomar las medidas apropiadas para asegurar que ningún movimiento imprevisto pueda provocar lesiones a alguien o daños materiales.

AVISO

Solo pueden realizar la prueba y la configuración de la unidad el personal especializado y aquellas personas con amplios conocimientos de ingeniería eléctrica y de tecnología del sistema.



⚠ PELIGRO ¡Voltaje letal!

Riesgo de descarga eléctrica. Las partes activas del dispositivo conllevan un peligro mortal.

- Las medidas de protección integradas, como el aislamiento o el blindaje, no deben retirarse.
- Solo el personal formado y cualificado puede trabajar en la instalación eléctrica, de acuerdo con las regulaciones sobre seguridad en el trabajo y únicamente con el suministro de electricidad cortado y asegurado contra reinicios.



⚠ ADVERTENCIA ¡Inicio automático!

El personal que manipule la máquina puede sufrir lesiones graves o incluso mortales. La unidad puede reiniciarse automáticamente tras encenderse, experimentar una caída de tensión o sufrir una interrupción en la alimentación en función de los ajustes de los parámetros. Si el parámetro DRV.ENDEFAULT está fijado en 1,

- coloque una señal de advertencia en la máquina (Advertencia: Reinicio automático al encender) y
- asegúrese de que no pueda encenderse si hay alguien dentro de la zona de riesgo de la máquina.



⚠ ATENCIÓN ¡Alta temperatura!

Riesgo de quemaduras leves. La recepción de calor de la unidad puede alcanzar temperaturas de hasta 80 °C durante el funcionamiento.

- Verifique la temperatura de recepción de calor antes de manipular.
- Espere hasta que la recepción de calor se haya enfriado hasta 40 °C.



⚠ ATENCIÓN Contaminación de alto ruido!

Riesgo de daños a la audición. Los ventiladores generan un ruido de hasta 90 dBA cuando funcionan con la carga máxima.

- Mantenga las puertas del gabinete cerradas durante la operación.
- Use protección auditiva si el gabinete de control debe abrirse durante el funcionamiento normal.

AVISO

Si el dispositivo lleva almacenado más de 1 año, deberá modificar los condensadores del bus de CC. Los procedimientos de modificación se describen en la KDN ([Formación](#)).

6.8.2 Prueba inicial del sistema

Preparación

1. Desembale los dispositivos y accesorios. Cumpla con las instrucciones de seguridad de la documentación.
2. Monte los dispositivos y conecte el sistema.
3. Valide la instalación mecánica y eléctrica.
4. Valide las direcciones IP
5. Asegúrese de tener a mano la siguiente información acerca de los componentes del sistema:
 - tensión del suministro de corriente nominal
 - tipo de motor (datos del motor, si el tipo de motor no figura en la base de datos de motores)
 - unidad de retroalimentación integrada en el motor (tipo, polos/líneas/protocolo)
 - momento de inercia de la carga

Ajuste las direcciones del sistema

Sugerimos utilizar Auto-IP. Coloque el interruptor giratorio S1 en "0". Todos los dispositivos de red que están conectados reciben una dirección IP única en el rango 169.254.x.y.

WorkBench busca la dirección IP en la subred para detectar dispositivos en la red LAN e iniciar la comunicación. Consulte la ayuda en línea de WorkBench para obtener información.

Confirme las conexiones

Active la alimentación lógica de 24 V de CC para el sistema (no se necesita la tensión de suministro de corriente para las comunicaciones). Confirme que el LED de conexión verde del MKD-C y del PC estén iluminados.

Aunque Windows muestre este icono de funcionalidad limitada para la conexión del sistema, el PC puede comunicarse completamente con el sistema. Mediante el uso de WorkBench, ahora puede configurar el sistema a través de esta conexión.

Instale e inicie WorkBench

WorkBench está disponible en el DVD incluido con el sistema y en el sitio web de Kollmorgen: www.kollmorgen.com. Seleccione el archivo de instalación y siga las instrucciones facilitadas por el instalador.

Una vez completada la instalación, haga clic en el icono WorkBench para iniciar el programa.

Parametrice y active los ejes en WorkBench

Consulte la ayuda en línea de WorkBench para obtener información.

6.9 Efectúe la resolución de problemas del sistema MKD

Los problemas del sistema suceden por diferentes razones, dependiendo de las condiciones de la aplicación. Las causas de los fallos en los sistemas multieje pueden ser muy complejas. Si no puede resolver un fallo, la asistencia al cliente de Kollmorgen puede ayudarle.

AVISO

Elimine los errores y defectos según las normas de seguridad laboral. Solo el personal formado y cualificado puede realizar tareas de resolución de problemas.

INFORMACIÓN

En la ayuda en línea de WorkBench podrá encontrar más información sobre cómo resolver fallos.

7 Russian

7.1	Общее	112
7.1.1	Примечания к изданию в печатной версии	112
7.1.2	Используемые символы	113
7.2	Безопасность изделия	114
7.2.1	Необходимо обратить внимание на следующее	114
7.2.2	Использование по назначению	116
7.2.3	Запрещенное использование	117
7.2.4	Предупреждающие этикетки	118
7.3	Управление жизненным циклом изделия	119
7.3.1	Транспортировка	119
7.3.2	Упаковка	119
7.3.3	Хранение	119
7.3.4	Монтаж, настройка параметров и нормальная эксплуатация	120
7.3.5	Выход из эксплуатации	120
7.3.6	Техническое обслуживание и очистка	120
7.3.7	Демонтаж	120
7.3.8	Ремонт	121
7.3.9	Утилизация	121
7.4	Техническое описание и общие характеристики	122
7.4.1	Комплект поставки	122
7.4.2	Таблица номеров деталей	123
7.4.3	Механические характеристики	123
7.4.4	Электрические характеристики	123
7.4.5	Условия окружающей среды при нормальной эксплуатации	124
7.4.6	Системные ограничения	124
7.5	Безопасное отключение крутящего момента (STO)	125
7.6	Механический монтаж	126
7.6.1	Важные замечания	126
7.6.2	Руководство по механическому монтажу	126
7.7	Электрический монтаж	127
7.7.1	Важные замечания	127
7.7.2	Руководство по электрическому монтажу	127
7.8	Настройка	128
7.8.1	Важные замечания	128
7.8.2	Начальная проверка системы	129
7.9	Устранение неисправностей в системе MKD	129

7.1 Общее

Настоящее руководство - Руководство по безопасности изделий MKD-C/N - содержит важную информацию по безопасному монтажу и настройке параметров модулей приводной системы MKD блока питания сервопривода MKD-C и MKD-N.

INFO

Для получения полной информации см. *MKD* Руководство по монтажу -C/N, Руководство по монтажу AKD-N и другую Kollmorgen документацию.

Информация MKD для использования состоит из:

- *Руководство по установке*: Этот документ описывает модули и содержит информацию, необходимую для безопасной установки системы MKD.
- *WorkBench Онлайн-справка*: описывает порядок использования системы в стандартной среде. Кроме этого, документ содержит рекомендации по обеспечению максимальной производительности системы. *Онлайн-справка* включает *Справочное руководство по параметрам и командам*, содержащее информацию о параметрах и командах, используемых для программирования.
- *Передача данных по EtherCAT*: описывает порядок использования системы в среде EtherCAT.

Эти документы содержатся на DVD, входящем в комплект поставки привода. Все документы можно также загрузить с [Kollmorgen Developer Network](#).

7.1.1 Примечания к изданию в печатной версии

К каждому изделию прилагается печатное издание руководства. По экологическим соображениям этот документ отпечатан в формате DIN A5.

INFO

Если мелкий шрифт этого экземпляра вызывает проблемы при чтении, можно распечатать PDF-версию в формате DIN A4 (масштаб 1:1) и использовать ее. PDF-версия имеется на компакт-диске, прилагаемом к изделию, и на интернет-сайте Kollmorgen.

7.1.2 Используемые символы

Symbol	Значение
 ОПАСНО	Указывает на опасную ситуацию, которая приведет к смерти или тяжелым и неизлечимым травмам, если ее не предотвратить.
 ВНИМАНИЕ!	Указывает на опасную ситуацию, которая может привести к смерти или тяжелым и неизлечимым травмам, если ее не предотвратить.
 ОСТОРОЖНО	Указывает на опасную ситуацию, которая может привести к легким травмам, если ее не предотвратить.
УКАЗАНИЕ	Не является условным обозначением, относящимся к обеспечению безопасности. Указывает на ситуацию, которая может привести к материальному ущербу, если ее не предотвратить.
INFO	Не является условным обозначением, относящимся к обеспечению безопасности. Данное условное обозначение указывает на важную информацию.
	Внимание! Опасность (прочие опасности). Характер опасности указывается в сопровождающем тексте предупреждения.
	Опасность поражения электрическим током.
	Осторожно. Горячая поверхность.
	Предупреждение о подвешенного груза.
	Осторожно. Автоматический повторный пуск.

7.2 Безопасность изделия

7.2.1 Необходимо обратить внимание на следующее

Следует обратиться к специалисту!

Квалифицированными специалистами являются лица, знакомые с транспортировкой, установкой, вводом в эксплуатацию и эксплуатацией сервоусилителей.

- Транспортировка, хранение, распаковка: только персонал, умеющий работать с компонентами, чувствительными к электростатическому разряду.
- Механический монтаж: только персонал, профессионально компетентный в области механики.
- Электрический монтаж: только персонал, профессионально компетентный в области электротехники.
- Ввод в эксплуатацию: только специалистами с обширными знаниями в области электротехники и приводной техники

Кроме того, специалисты должны знать и соблюдать стандарты ISO 12100, IEC 60364, IEC 60664, а также национальные правила техники безопасности.

Чтение документации

Перед монтажом и вводом в эксплуатацию прочитайте настоящую документацию. Неправильное обращение с сервоусилителем может стать причиной физического или материального ущерба. Эксплуатирующее предприятие должно проследить за тем, чтобы все лица, допущенные к работам на система привода, прочитали руководство и поняли его содержание, а также должно обеспечить соблюдение указаний по технике безопасности, изложенных в этом руководстве.

Проверьте версию аппаратного обеспечения!

Проверьте номер версии аппаратного обеспечения (см. заводскую табличку). Номера версий аппаратного обеспечения MKD-C andи MKD-N могут отличаться друг от друга. Этот номер является связующим звеном между изделием и руководством. Номер версии аппаратного обеспечения изделия должен совпадать с номером версии аппаратного обеспечения, указанным на обложке руководства.

Соблюдение технических данных

Соблюдайте технические данные и указания по условиям подключения (заводская табличка и документация). В случае превышения допустимых значений напряжения или величин тока сервоусилители могут быть повреждены. Неподходящий двигатель или неправильная кабельная разводка может стать причиной повреждения компонентов системы. Проверьте комбинацию привода и двигателя. Сравните номинальное напряжение и ток узлов.

Выполнение анализа опасных ситуаций

Изготовитель машины должен выполнить для нее анализ опасных ситуаций и принять соответствующие меры, чтобы непредвиденные движения не могли привести к физическому или материальному ущербу. Анализ опасных ситуаций предъявляет дополнительные требования к специалистам.

Производитель должен определить сроки периодической проверки электрических компонентов и приложения.

Элементы, чувствительные к электростатическому воздействию

Сервоусилители включают в себя элементы, чувствительные к электростатическому воздействию, которые могут быть повреждены в результате неквалифицированного обращения. Перед прикосновением к сервоусилителю снимите со своего тела электростатический заряд. Избегайте контакта с электростатическими материалами (синтетическое волокно, синтетическая пленка и т.п.). Ставьте сервоусилитель на электропроводящее основание.



Автоматический перезапуск!

Привод может перезапускаться автоматически при включении питания, падении напряжения или прерывании подачи питания в зависимости от настройки параметров. Риск гибели или получения серьезных травм персоналом, работающим на машине. Если параметр DRV.ENDEFAULT для одного MKD-N установлен на 1, необходимо разместить предупреждающую табличку на машине (предупреждение: Автоматический перезапуск при включении питания) и убедиться в отсутствии риска включения питания при нахождении людей в опасной зоне машины. В случае использования устройства защиты от падения напряжения необходимо соблюдать положения EN 60204-1:2006, раздел 7.5.



Горячая поверхность

Поверхности сервоусилителей могут сильно нагреваться во время работы. Температура радиатора может превышать 80°C. Опасность легких ожогов. Перед прикосновением проверьте температуру радиатора и подождите, пока она не опустится ниже 40 °C.



Заземление

Обеспечьте надлежащее заземление сервоусилителя РЕ-шиной в электрошкафу, служащей опорным потенциалом. Опасность поражения электрическим током. В отсутствие низкоомного заземления безопасность персонала не гарантируется. Существует опасность для жизни вследствие поражения электрическим током.

Ток утечки

Если ток утечки к защитному заземлению превышает 3,5 мА, то в соответствии с IEC61800-5-1 необходимо дублировать соединение защитного заземления или использовать соединительный кабель сечением >10 мм². В соответствии с региональными стандартами могут быть предприняты меры по отведению тока.

Устройства контроля или защиты по дифференциальному току!

MKD-C с MKD-N может вызвать появление постоянного тока в проводе защитного заземления. В случае использования устройства контроля (RCM) или защиты (RCD) по дифференциальному току для защиты от прямого или непрямого контакта на стороне питания MKD-C может быть установлено только устройство RCD или RCM типа В.



Смертельно опасное напряжение!

Оборудование генерирует высокое электрическое напряжение до 900 В. Контакт с деталями привода, находящимися под напряжением, опасен для жизни. Не открывайте и не дотрагивайтесь до оборудования в процессе эксплуатации. Держите дверцы шкафа IP 54 закрытыми в процессе эксплуатации. Запрещается демонтировать встроенные защитные системы, в частности, изоляцию или экраны. Работы по электромонтажу могут выполняться только при отключенном питании от сети и защищены от повторного запуска.

Никогда не разъединяйте электрические соединения с MKD, находящиеся под напряжением. Существует опасность образования электрической дуги и, как следствие, повреждения контактов и травмирования персонала. Выждите не менее 5 минут после отключения изделия от источников питания, прежде чем прикасаться к потенциально опасным зонам оборудования или разъединять любые соединения.

Перед включением сетевого питания убедитесь, что крышка канала MKD-N DC-Bus установлена на последнем MKD-N.



Высокое шумовое загрязнение!

Вентиляторы создают шум до 90 дБА при работе при максимальной нагрузке. Это может привести к повреждению слуха. Держите двери шкафа закрытыми во время работы. Используйте средства защиты слуха, если шкаф управления должен быть открыт во время нормальной работы. Оператор должен обеспечить защиту слуха и контролировать его использование в зависимости от определенного уровня ежедневного воздействия шума.

Функциональная безопасность

Реализация функции безопасности STO не MKD сертифицирована. Вход прерывания торможения может использоваться для реализации функции SBC. Окончательная оценка соответствия функций безопасности стандарту EN13849 или EN 62061 должна быть проведена пользователем.

Запрещается вносить изменения в приборы

Запрещается изменять оборудование сервоусилителя без разрешения производителя. Открытие корпуса вызывает потерю гарантии.

7.2.2 Использование по назначению

Источники питания MKD-C предназначены исключительно для обеспечения функционирования модулей сервоприводов MKD-N, установленных внутри шкафа, и децентрализованных сервоприводов AKD-N. Семейство сервоприводов MKD-N предназначено исключительно для приведения в действие соответствующих синхронных серводвигателей замкнутым контуром управления крутящим моментом, скоростью и/или положением. Модули системы MKD представляют собой компоненты, встраиваемые в электрические машины или установки и используемые исключительно в качестве встроенных компонентов этих машин или установок. Производитель машины должен провести оценку рисков для машины. Привод может использоваться только в том случае, если установлено, что машина соответствует местным нормам.

Многоосная приводная система Kollmorgen

Эксплуатация MKD допускается только в составе системы перемещения с компонентами из Kollmorgen. Необходимые дополнительные компоненты Kollmorgen включают сетевые дроссели, гибридные кабели рядов приводов, гибридные кабели электродвигателя, силовые кабели и кабели сигналов обратной связи электродвигателя, серводвигатели.

Сборка

Эксплуатация модулей MKD допускается только в среде, соответствующей условиям окружающей среды, определенным в (→ # 124).

Кабели

Используйте только кабели Kollmorgen для подключения компонентов системы.

Источник питания

Питание **MKD-C** должно осуществляться от 3-фазной промышленной электро сети (при симметричном номинальном токе не выше 42 кА при 400 В и 480 В) через сетевой дроссель 3L.

Питание приводов серии **MKD-N** должно осуществляться с помощью интеллектуальных модулей питания MKD-C с напряжением постоянного тока от 55 В до 800 В.

Предохранители

Эксплуатация устройств допускается при условии наличия предохранителей для защиты от перегрузки.

Номинальное напряжение электродвигателей

Номинальное напряжение электродвигателей должно быть не ниже напряжения шинной перемычки постоянного тока, разделенного $\sqrt{2}$, генерируемого электродвигателем ($U_{nMotor} \geq U_{DC} / \sqrt{2}$).

В случае группового монтажа и приводов с питанием от источника постоянного тока**УКАЗАНИЕ**

MKD-C не оценивались Kollmorgen, UL и TÜV с точки зрения возможности группового монтажа и необходимых номинальных значений входного напряжения постоянного тока.

Вспомогательное питание, резервное питание

Использование резервного источника питания для рядов приводов допускается только для питания электронных компонентов MKD-N. Блок питания 24 В пост. тока должен соответствовать требованиям PELV (EN 60204-1).

Безопасное отключение крутящего момента

Перед использованием этой функции безопасности ознакомьтесь с разделом "Использование в соответствии с предписаниями" в главе "Безопасное отключение крутящего момента" (→ # 125). Блок питания 24 В пост. тока для общего питания STO должен соответствовать требованиям PELV (EN 60204-1).

7.2.3 Запрещенное использование

Запрещается использовать устройство в целях, отличающихся от изложенных в главе «Использование по назначению», так как это может привести к травмам персонала и повреждению оборудования.

Система не может использоваться

- в сочетании с машиной, не соответствующей положениям действующих национальных стандартов или директив,
- для приведения в действие подъемников,
- в среде, характеризующейся постоянными функциональным короткими замыканиями на контакты внешнего шунтирующего резистора,
- в среде, характеризующейся любыми короткими замыканиями на контакты шинных перемычек постоянного тока.

Кроме этого, запрещается использовать систему в следующих ситуациях:

- в потенциально взрывоопасных зонах
- в присутствии коррозионно-активных и / или электропроводящих кислот, щелочных растворов, масел, паров, пыли
- на судах или морских установках

Не допускается подключение системы с помощью гибридных кабелей других производителей, кроме Kollmorgen. Не допускается замена кабелей и разъемов Kollmorgen.

7.2.4 Предупреждающие этикетки

УКАЗАНИЕ

В случае повреждения таких табличек они должны заменяться немедленно.

7.2.4.1 Информация, размещаемая на изделии

 <p>The minimum size of the protective earthing conductor shall comply with the local safety regulations for high protective earthing conductor current.</p>	 <p>Residual Voltage Wait 5 minutes after removing power before servicing.</p>
<p>Перевод: Минимальное сечение провода защитного заземления должно соответствовать местным требованиям безопасности нормам обеспечения безопасности току в проводе заземления.</p>	<p>Перевод: Остаточное напряжение Перед началом сервисного обслуживания выждите 5 минут после отключения питания.</p>

В системе с суперконденсаторами время ожидания технического обслуживания может увеличиться. На основании оценки риска пользователь должен прикрепить дополнительные предупреждающие таблички в шкафу управления.

7.3 Управление жизненным циклом изделия

7.3.1 Транспортировка

Транспортировка модулей MKD в соответствии с IEC 61800-2:

- Изделие должно транспортироваться только квалифицированным персоналом в оригинальной экологичной упаковке.
- Избегайте ударов при транспортировке.
- Вибрация/удары: MKD Модули прошли проверку для класса окружающей среды 3M1 согласно IEC 60721-3-2.
- При хранении высота штабеля не должна превышать 8 рядов.
- Транспортировка должна осуществляться только в пределах указанного диапазона температуры: -25 до +70 °С, макс. скорость изменения 20 К/час, класс 2К3.
- Транспортировка должна осуществляться только в пределах указанного диапазона влажности: относительная влажность не выше 95 %, без конденсации, класс 2К3.

УКАЗАНИЕ

Устройства содержат компоненты, которые чувствительны к электростатическому разряду и могут быть повреждены при некорректном обращении. Перед прикосновением к устройству необходимо снять с тела электростатический заряд. Избегайте контакта с материалами с высоким термическим сопротивлением, такими как искусственные ткани и полимерные пленки. Разместите устройство на токопроводящей поверхности.

В случае повреждения упаковки проверьте изделие на отсутствие видимых повреждений. Информировать перевозчика и производителя о любых повреждениях упаковки или продукта.

7.3.2 Упаковка

Упаковка MKD содержит картон, пригодный для повторного использования, со вкладышами и табличкой на наружной стороне коробки.

Модель	Размеры упаковки (мм) ВхШхД	Общая масса (кг)
MKD-C003007	580 x 350 x 170	22.5
MKD-C001007-CA	580 x 350 x 170	22,5
MKD-N060007, MKD-N060607, MKD-N120007, MKD-N120607, MKD-N121207	580 x 350 x 110	8,5
MKD-N240007	580 x 350 x 110	9.5
MKD-N480007	580 x 350 x 140	11.5

7.3.3 Хранение

При хранении модулей MKD необходимо руководствоваться стандартом IEC 61800-2:

- Изделие должно храниться только в оригинальной упаковке.
- При хранении высота штабеля не должна превышать 8 рядов.
- Хранение должно осуществляться только в пределах указанного диапазона температуры: от -25 до +55 °С, макс. степень изменения 20 К/час, класс 1К4.
- Хранение должно осуществляться только в пределах указанного диапазона влажности: относительная влажность от 5 до 95 %, без конденсации, класс 1К3.
- При хранении MKD необходимо руководствоваться следующими требованиями к продолжительности:
 - Менее 1 года: без ограничений.
 - Более 1 года: перед настройкой параметров и эксплуатацией системы необходимо произвести переформование конденсаторов в MKD-C. Описание процедур переформования содержится на портале разработчиков Kollmorgen ([Формование](#)).

7.3.4 Монтаж, настройка параметров и нормальная эксплуатация

Информация по монтажу и настройке параметров содержится в настоящем руководстве:

- Механический монтаж (→ # 126)
- Электрический монтаж (→ # 127)
- Настройка параметров (→ # 128)

Нормальная эксплуатация, подтвержденная для класса окружающей среды ЗКЗ в соответствии с IEC 61800-2 (→ # 124).

Производитель машины должен определить необходимую степень компетентности конечного пользователя на основе оценки рисков для машины и описать требования к нормальной эксплуатации в соответствующей среде.

7.3.5 Вывод из эксплуатации

УКАЗАНИЕ

К выводу частей системы привода из эксплуатации допускаются только квалифицированные сотрудники, специализирующиеся в области электротехники.

ОПАСНО: Смертельное напряжение! Существует риск серьезной травмы или смерти от поражения электрическим током или электрической дуги.

- Выключите главный выключатель электрошкафа.
- Заблокируйте систему от повторного включения.
- Заблокируйте главный выключатель.
- После отключения сервоусилителя от питающего напряжения подождите не менее 5 минут.

7.3.6 Техническое обслуживание и очистка

Сервоусилители не требуют техобслуживания. В случае вскрытия устройства гарантия теряет силу. Чистка прибора внутри может выполняться только изготовителем.

УКАЗАНИЕ

Не погружайте сервоусилитель в жидкость и не опрыскивайте его. Не допускайте попадания жидкости в устройство.

Чистка сервоусилителя снаружи выполняется так:

1. Вывод устройства из эксплуатации (см. главу 7.3.5 "Вывод из эксплуатации").
2. Корпус: очистка изопропанолом или аналогичным средством.

ОСТОРОЖНО: Легко воспламеняется! Опасность получения травмы от взрыва и пожара.

- Соблюдайте указания на упаковке чистящего средства по его безопасному использованию.
 - Ввод в эксплуатацию не ранее, чем через 30 минут после уборки.
3. Защитная решетка вентилятора: очистка сухой кисточкой.

7.3.7 Демонтаж

УКАЗАНИЕ

Замену компонентов системы должны выполнять только специалисты электрики.

1. Вывод устройства из эксплуатации (см. главу 7.3.5 "Вывод из эксплуатации").
2. Проверьте температуру.

ОСТОРОЖНО: Высокая температура! Опасность легких ожогов. Во время работы температура радиатора может превышать 80 °C. Перед прикосновением проверьте темпер. радиатора и подождите, пока она не опустится ниже 40 °C.

3. Отсоедините все штекерные разъемы. Последним отсоедините провод заземления.
4. Демонтаж: Выверните крепежные винты и демонтируйте устройство.

7.3.8 Ремонт

УКАЗАНИЕ

Замену компонентов системы должны выполнять только специалисты электрики.

ОПАСНО: Автоматический пуск! Во время работ по замене возможны комбинированные и неоднократные опасные ситуации.

- Электромонтажные работы могут выполняться только обученным и квалифицированным персоналом в соответствии с правилами безопасности на рабочем месте и только при условии использования предписанных средств индивидуальной защиты.

Устройство Замена

Ремонт блока может только изготовитель. Вскрытие устройства означает потерю гарантии.

1. Вывод устройства из эксплуатации (см. главу 7.3.5 "Вывод из эксплуатации").
2. Демонтаж (Смотрите раздел 7.3.7 "Демонтаж").
3. Отправьте устройство изготовителю.
4. Установите новое устройство, как описано в Руководстве по установке.
5. Настройте систему, как описано в Руководстве по установке.

Замена прочих деталей приводной системы

Если детали приводной системы (например кабели) нуждаются в замене, действуйте следующим образом:

1. Вывод устройства из эксплуатации (см. главу 7.3.5 "Вывод из эксплуатации").
2. Замените детали.
3. Проверьте все штекерные разъёмы на правильность подсоединения.
4. Настройте систему, как описано в Руководстве по установке.

7.3.9 Утилизация

УКАЗАНИЕ

Для надлежащей утилизации устройства обращайтесь в сертифицированную фирму по утилизации электронного лома.

Согласно директивам WEEE-2012/19/EG и аналогичным изготовитель принимает старое оборудование для надлежащей утилизации. Транспортные расходы несет отправитель.

Контакты Kollmorgen и уточнить логистики.

Отправляйте приборы (в оригинальной упаковке) на адреса изготовителя:

Северная Америка	Южная Америка
KOLLMORGEN 201 West Rock Road Radford, VA 24141, USA	KOLLMORGEN Avenida João Paulo Ablas, 2970 Jardim da Glória, Cotia – SP CEP 06711-250, Brazil
Европа	Азия
KOLLMORGEN Europe GmbH Pempelfurtstr. 1 40880 Ratingen, Germany	KOLLMORGEN Room 302, Building 5, Lihpao Plaza, 88 Shenbin Road, Minhang District, Shanghai, China.

7.4 Техническое описание и общие характеристики

7.4.1 Комплект поставки

Доступные модули MKD

Вариант	Описание	Мощность	Примечания
MKD-C003007-NAEC	Центральный источник питания	30 кВт	Standard
MKD-C001007-CAEC	Центральный источник питания	10 кВт	Внешний конденсатор
MKD-N060007-DSEC	Приводной модуль	2,5 кВт	Одноосный, 6 А
MKD-N060607-DSEC	Приводной модуль	5 кВт	Двухосный, 2 x 6 А
MKD-N120007-DSEC	Приводной модуль	5 кВт	Одноосный, 12 А
MKD-N120607-DSEC	Приводной модуль	7,5 кВт	Двухосный, 12 А + 6 А
MKD-N121207-DSEC	Приводной модуль	10 кВт	Двухосный, 2 x 12 А
MKD-N240007-DSEC	Приводной модуль	10 кВт	Одноосный, 24 А
MKD-N480007-DSEC	Приводной модуль	20 кВт	Одноосный, 48 А

При заказе модуля MKD комплект поставки включает следующие позиции:

Комплект MKD-C:

- Сам заказанный модуль
- печатная версия *MKD Руководства по безопасности изделия*,
- DVD с программным обеспечением для настройки параметров WorkBench и всей документацией по изделию в цифровом формате.
- Соединительные разъемы MKD-C: X12, X13, X14, X15, X16, X25
- Одна крышка шинной перемычки постоянного тока MKD-N
- Две крышки разъемов M23 для АКD-N

INFO

Крышки разъемов M23 необходимы для защиты разъема X2 последнего АКD-N в ряду приводов.

Комплект MKD-N:

- Сам заказанный модуль
- MKD-N Спецификация
- Соединительные разъемы MKD-N: X9, X24, X26

Дополнительное оборудование:

При необходимости дополнительное оборудование заказывается отдельно.

Дополнительное оборудование для АКD-N см. в *Руководстве по дополнительному оборудованию* или *Руководстве по монтажу АКD-N* для конкретного региона.

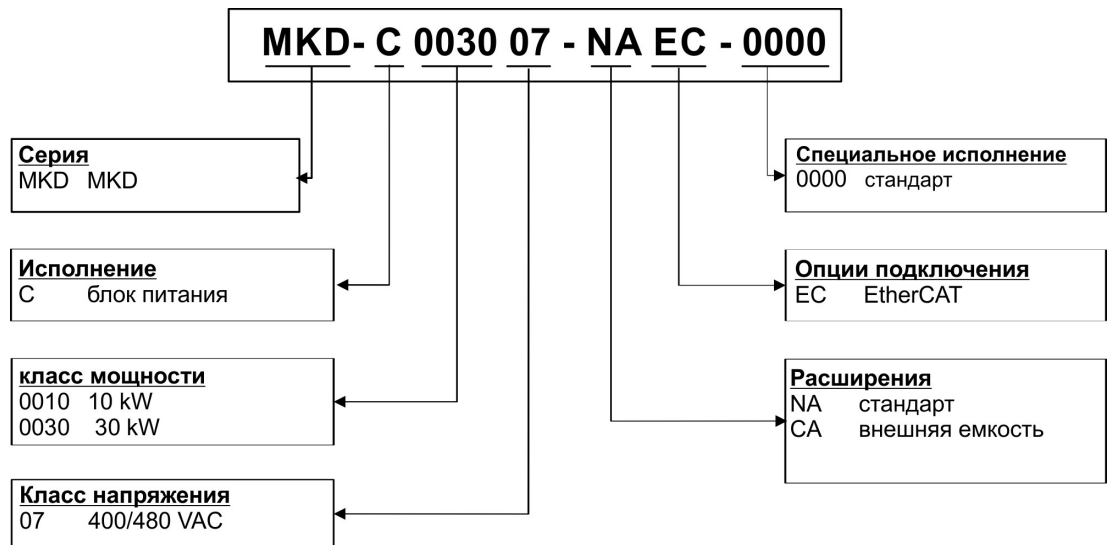
Запасные части

Описание	Разъемы включены	Код заказа
Комплект разъемов	X12, X13, X14, X15, X16, X25	MKD-C-ConKit
Комплект разъемов	X9A, X24A, X26A	MKD-N-ConKit Axis A
Комплект разъемов	X9B, X24B, X26B	MKD-N-ConKit Axis B
Разъемы 6...12А	X29A (6-контактный, щиток и т. Д.)	CON-MKD-N-06-12-X29A
Разъемы 6...12А	X29B (6-контактный, щиток и т. Д.)	CON-MKD-N-X29B
Разъемы 24...48А	X29A (4-контактный, щиток и т. Д.)	CON-MKD-N-24-48-X29A
Разъемы 24...48А	X30A (2-контактный)	CON-MKD-N-X30A

7.4.2 Таблица номеров деталей

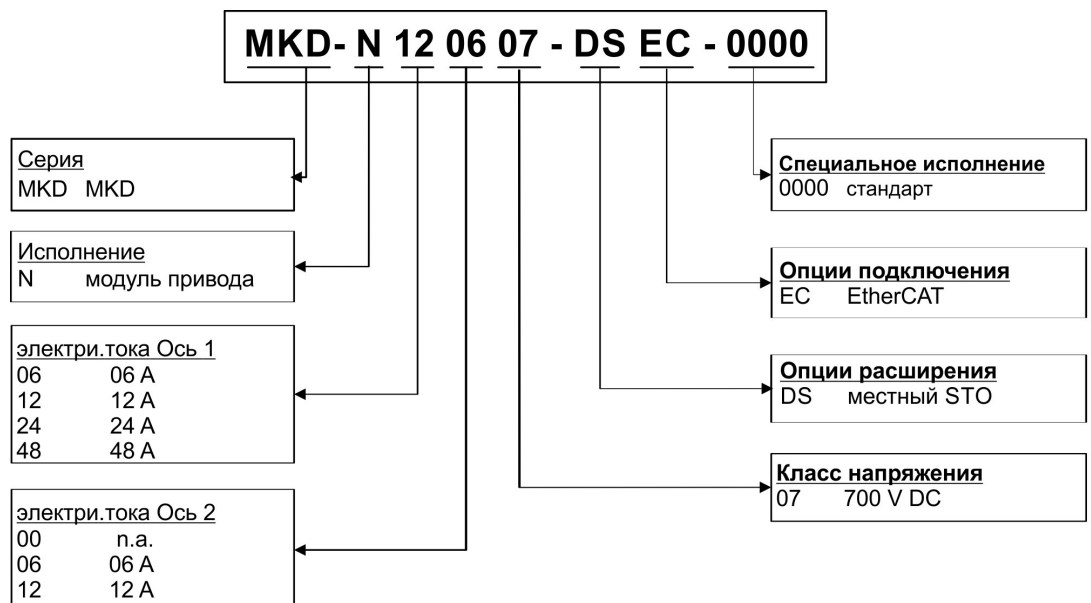
Используйте схему номеров по каталогу только для идентификации изделия, но не для заказа, так как не все комбинации функций могут быть реализованы на практике.

7.4.2.1 Модули MKD-C



Код индивидуализации Кодирование под конкретные требования заказчика (не имеет значения для функциональной безопасности).

7.4.2.2 Модули MKD-N



Код индивидуализации Кодирование под конкретные требования заказчика (не имеет значения для функциональной безопасности).


7.4.3 Механические характеристики

INFO Механические характеристики (→ # 133)

7.4.4 Электрические характеристики

INFO Электрические характеристики (→ # 131)

7.4.5 Условия окружающей среды при нормальной эксплуатации

Хранение, транспортировка	(→ # 119)
Нормальная эксплуатация	Класс окружающей среды 3К3 согласно IEC 61800-2
Температура окружающего воздуха во время эксплуатации	от 0 до +40 °С при номинальных условиях от +40 до +55 °С при непрерывном снижении номинального тока 4 % на градус °С
Влажность во время эксплуатации	Относительная влажность от 5 до 85%, без конденсации, класс 3К3.
Высота над уровнем моря	До 1000 м над уровнем моря без снижения номинальных характеристик от 1000 до макс. 2000 метров над средним уровнем моря при снижении мощности 1,5 %/100 м
Уровень загрязнения	Уровень загрязнения 2 согласно IEC 60664-1
Вибрация	Класс 3М1 согласно IEC 60721-3-3
Экологическая зона	Шкаф IP 54 согласно IEC 60529
Монтажное положение	Вертикальное
Вентиляция	Встроенный вентилятор.
 ОСТОРОЖНО	Эмиссия шума! Непрерывный шум до 90 дБА при работе с максимальной нагрузкой. Держите двери шкафа закрытыми во время работы. Обязательно используйте средства защиты слуха, если двери шкафа должны открываться во время нормальной работы.
УКАЗАНИЕ	Устройство отключается в случае чрезмерного повышения температуры в шкафу управления. Убедитесь, что шкаф управления имеет достаточную принудительную вентиляцию.

7.4.6 Системные ограничения

Длина ряда 2/3	Макс. общая длина кабелей - 100 м на ряд.
Количество MKD-C	Ограничено протоколом полевой шины.
Количество осей MKD-N	Макс. 14 осей на ряд 1, макс. общее количество - 28 осей при комбинировании рядов 1 и 2 (соблюдайте ограничения по суммарной мощности и току).
Количество АКD-N	Макс. 14 на ряд, макс. общее количество - 28 в рядах 2 и 3 (соблюдайте ограничения по суммарной мощности и току).
Global STO (ряда 2/3): Количество АКD-N	<ul style="list-style-type: none"> ● АКD-N Аппаратная версия А/В: 8 АКD-N ● АКD-N Апп.вер. А/ В с сигнальным буфером: 14 АКD-N ● АКD-N Апп.вер С: 14 АКD-N
Выходной ток	Используйте коэффициент одновременности нагрузки осей для распределения и оптимизации мощности в системе. Ряд 1: 43 А, ряд 2: 16 А, ряд 3: 16 А
Суммарная мощность	При 565 В - 680 В ограничена 30 кВт.
Мощность для ряда 2/3	При 565 В 680 В ограничена 10 кВт для каждого ряда.
Резервн. питание ряда	При 55 В ограничена 180 Вт для каждого ряда.
Мощность тормоза электродвигателя	Предусмотрена возможность управления до 3 тормозами электродвигателей на ряд. Доступная мощность для тормозов - 76 Вт на ряд (= 3,2 А @ 24 В пост. тока).
Интерфейс сервиса X18	Ethernet TCP/IP, 100 Мбит/с, макс. длина кабеля 100 м

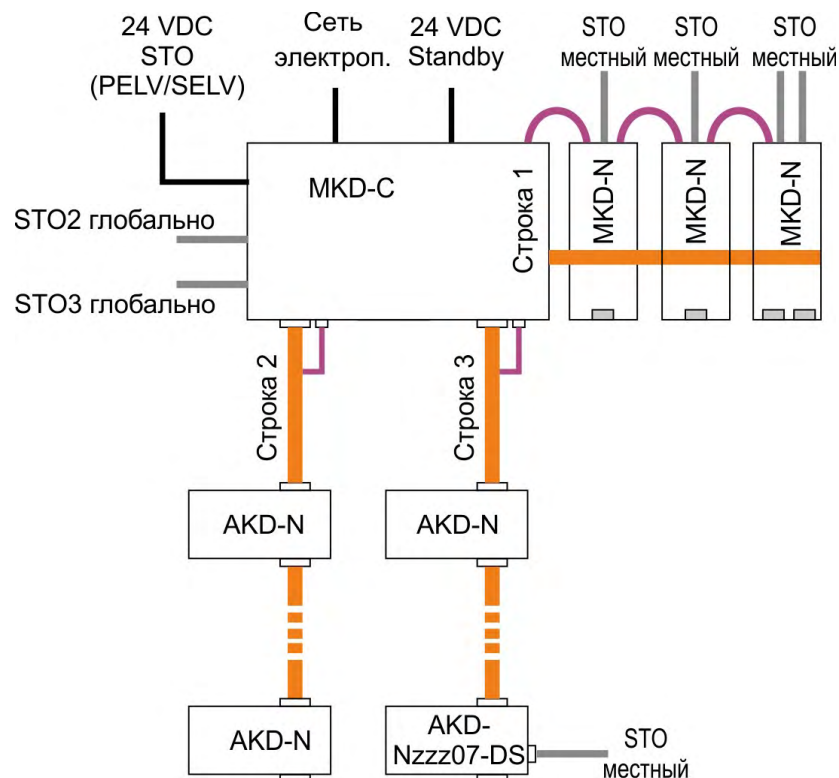
7.5 Безопасное отключение крутящего момента (STO)

Реализация функции безопасности STO не MKD сертифицирована. Установка цепи аварийной защиты, используемой для реализации защитной функции «Безопасное снятие крутящего момента» в приводе, удовлетворяет требованиям SIL 2 в соответствии с IEC 62061 и PLd / CAT3 в соответствии с ISO 13849-1.

INFO

Для получения полной информации в отношении функциональной безопасности см. MKD *Руководство по монтажу*.

Характеристики безопасности, обеспечиваемые Kollmorgen и указанные в приложении (→ # 154), достигаются при использовании компонентов Kollmorgen. Итоговая классификация функциональной безопасности (уровень SIL и/или PL) должна быть определена по всей приводной системе.



- Разъем X16 MKD-C:
 - глобальные входы STO (ряд 2/3) системы, запитанные от этого MKD-C.
- Разъем X26 MKD-N:
 - локальный вход STO (ось 1 и ось 2, если встроено) приводного модуля.
- Разъемы X6 AKD-N:
 - локальный вход STO приводных модулей AKD-N-DS/DT.

Глобальная внутренняя диагностика

Предусмотрен один вход STO для каждого ряда с питанием постоянным током. Вход STO ряда разблокирует выходной каскад мощности всех AKD-N (без опции DS/DT), подключенных к ряду, до тех пор, пока сигнал 24 В подается на этот вход.

Локальная внутренняя диагностика

Локальный вход STO разблокирует выходной каскад мощности оси привода MKD-N до тех пор, пока сигнал 24 В подается на этот вход.

7.6 Механический монтаж

INFO

Размеры и рекомендации по монтажу (→ # 133) и *MKD Installation Manual*

7.6.1 Важные замечания

УКАЗАНИЕ

Устройства MKD-C и MKD-N должны монтироваться в шкафах, имеющих только класс защиты IP 54 согласно IEC 60529.



ОСТОРОЖНО Высокая ток утечки!

Если сервоусилитель (или двигатель) с точки зрения электромагнитной совместимости заземлен неправильно, имеется опасность удара электрическим током.

- Не используйте покрытые лаком (непроводящие) монтажные панели.
- В самых неблагоприятных случаях для отвода токов между винтом заземления и потенциалом земли используйте плетеную медную шину.

УКАЗАНИЕ

Примите меры для защиты устройства от недопустимых нагрузок. В частности, не допускайте изгибания любых компонентов или сокращения изоляционного расстояния во время транспортировки и эксплуатации. Избегайте соприкосновения с электронными компонентами и контактами.

УКАЗАНИЕ

В случае перегрева модули отключаются автоматически. Убедитесь, что пространство для монтажа соответствует требованиям (→ # 124).

УКАЗАНИЕ

Не устанавливайте оборудование, генерирующее магнитные поля, непосредственно рядом с устройством. Сильные магнитные поля могут непосредственно влиять на внутренние компоненты. Устанавливайте оборудование, генерирующее магнитные поля, на некотором расстоянии от MKD-C и/или отгораживайте магнитные поля с помощью экрана.

7.6.2 Руководство по механическому монтажу

Для получения дополнительной информации см. *MKD Installation Manual*. Для монтажа модулей MKD-C и MKD-N необходим следующий (минимальный) набор инструментов. В некоторых ситуациях может возникнуть необходимость в дополнительных инструментах.

- Винты с цилиндрической головкой и внутренним шестигранником под ключ М4
- Шестигранный ключ 3 мм с Т-образной рукояткой
- Отвертка № 2 Phillips
- Малая шлицевая отвертка

Последовательность действий при монтаже модулей:

1. Подготовьте место установки. Модули MKD должны монтироваться в закрытом шкафу управления (→ # 124). На месте установки не должно быть проводящих или корродирующих материалов.
2. Убедитесь в беспрепятственной вентиляции модулей и поддержании температуры окружающей среды на допустимом уровне (→ # 124). Оставьте необходимое свободное пространство над и под модулями (→ # 133).
3. Если шкаф управления оснащен системами охлаждения, разместите систему охлаждения таким образом, чтобы конденсат не мог попадать на модули или периферийные устройства.
4. Установите блок питания и приводные модули на токопроводящую, заземленную монтажную пластину в шкафу управления.
5. Заземлите модули, монтажную пластину, корпус электродвигателя, систему заземления источника питания 24 В и систему заземления CNC системы управления.

INFO

Информацию по механич. монтажу AKD-N на машине см. в *Руководство AKD-N*.

7.7 Электрический монтаж

INFO

Обзор кабелей и разъемов см. в (→ # 135) и *MKD Installation Manual*.

7.7.1 Важные замечания

УКАЗАНИЕ

Монтаж приводной системы должен осуществляться только специалистами, имеющими квалификацию в области электротехники.



ОПАСНО Высокое напряжение до 900 В!

Существует риск серьезной травмы или смерти от поражения электрическим током или электрической дуги. Конденсаторы сохраняют опасное напряжение до 5 минут после отключения электропитания.

- Производите электрический монтаж приборов только в обесточенном состоянии.
- Обеспечьте надежную изоляцию корпуса распределительного шкафа (заграждения, предупредительные щиты и т.п.).
- Никогда не отсоединяйте электрические соединения сервоусилителя под напряжением.
- После отключения сервоусилителя от питающего напряжения подождите не менее 5 минут, прежде чем прикасаться к токоведущим частям приборов (например, контактам) или отсоединять разъемы.
- Измерьте для безопасности напряжение звена постоянного тока и подождите, пока напряжение не опустится ниже 50 В.
- Перед включением сетевого питания убедитесь, что крышка канала MKD-N DC-Bus установлена на последнем MKD-N.

УКАЗАНИЕ

Если ток утечки к защитному заземлению превышает 3,5 мА, то в соответствии с IEC61800-5-1 необходимо дублировать соединение защитного заземления или использовать соединительный кабель сечением >10 мм². В соответствии с региональными стандартами могут быть предприняты меры по отведению тока.

УКАЗАНИЕ

Некорректное напряжение шинной перемычки постоянного тока, неподходящий электродвигатель или кабели могут стать причиной повреждения компонентов системы. Проверьте комбинацию привода и двигателя. Сравните номинальное напряжение и ток узлов. Выполните прокладку кабелей в соответствии со схемой электрических соединений: (→ # 135).

7.7.2 Руководство по электрическому монтажу

Для получения дополнительной информации см. *Installation Manual*. Последовательность действий при монтаже электрической части приводной системы:

1. Выберите кабели в соответствии с планируемой топологией системы (→ # 124).
2. Соблюдайте максимальную заданную длину кабелей (→ # 124).
3. Выполните экранирование и заземление компонентов системы (→ # 139).
4. Подключите компоненты системы. Соблюдайте "Рекомендации по ограничению электромагнитного излучения" и Подключите все интерфейсы в соответствии с электрической схемой в *MKD Installation Manual*.
5. Проверьте прокладку кабелей по электрической см.в *Installation Manual*.
6. Установите соединение шины постоянного тока MKD-N, самое позднее, MKD-N.

INFO

Информацию по электрическому монтажу AKD-N на машине см.в *AKD-N Installation Manual*.

7.8 Настройка

INFO

- Подробная информация о функциональной безопасности: см. *Installation Manual*.
- Программирование параметров: См. онлайн-справку по WorkBench.
- Настройка Fieldbus: см. Соответствующее руководство на DVD.

7.8.1 Важные замечания

УКАЗАНИЕ

Перед тестированием и настройкой производитель машины должен произвести оценку рисков для машины и принять соответствующие меры, исключающие возможность нанесения травм или повреждений имущества вследствие непредвиденных движений машины.

УКАЗАНИЕ

К тестированию и настройке привода допускаются только специалисты, имеющие навыки работы с электрооборудованием и приводами.



ОПАСНО Смертельное напряжение!

Опасность поражения электрическим током. Контакт с деталями привода, находящимися под напряжением, опасен для жизни.

- Запрещается демонтировать встроенные защитные системы, в частности, изоляцию или экраны.
- Электромонтажные работы могут выполняться только обученным и квалифицированным персоналом в соответствии с правилами безопасности на рабочем месте и только при выключенном и заблокированном главном выключателе.



ВНИМАНИЕ! Автоматический запуск!

Для персонала, работающего с машиной, существует опасность тяжелых или смертельных травм. Привод может запускаться автоматически в зависимости от настройки параметров после включения сетевого напряжения, после провалов напряжения или других прерываний. Если параметр DRV.ENDEFAULT установлен на 1,

- разместите на машине предупреждающую табличку (Внимание: Автоматический пуск после включения!) и
- обеспечьте невозможность включения напряжения электросети, пока персонал находится в опасной зоне машины.



ОСТОРОЖНО Высокая температура!

Опасность легких ожогов. Во время работы температура радиатора может превышать 80°C.

- Проверяйте температуру радиатора перед работой с усилителем.
- Дождитесь охлаждения сервоусилителя до 40 °C.



ОСТОРОЖНО Высокое шумовое загрязнение!

Риск повреждения слуха. Вентиляторы создают шум до 90 дБА при работе при максимальной нагрузке.

- Держите двери шкафа закрытыми во время работы.
- Используйте средства защиты слуха, если шкаф управления должен быть открыт во время нормальной работы.

УКАЗАНИЕ

Если устройство находилось на хранении в течение более 1 года, необходимо выполнить переформование конденсаторов в цепи шинной перемычки постоянного тока. Процедуры модификации описаны в KDN ([Формование](#)).

7.8.2 Начальная проверка системы

Подготовка

1. Распакуйте устройства и дополнительное оборудование. Изучите указания по технике безопасности в документации.
2. Выполните монтаж устройств и подключение системы.
3. Проверьте правильность механического и электрического монтажа.
4. Проверьте правильность IP-адресов.
5. Убедитесь в том, что следующая информация о компонентах приводов находится у вас под рукой:
 - номинальное напряжение в сети питания
 - тип электродвигателя (характеристики электродвигателя, если тип электродвигателя отсутствует в базе данных электродвигателя)
 - блок обратной связи, встроенный в электродвигатель (тип, полюса/линии/протокол)
 - момент инерции нагрузки

заданные системные адреса

Мы предлагаем использовать Авто-IP. Установите поворотный переключатель S1 в положение «0». Все подключенные сетевые устройства получают уникальный IP-адрес в диапазоне 169.254.x.y.

WorkBench ищет IP-адрес в подсети для распознавания устройств в LAN и запуска процесса обмена данными. Для получения информации см. Онлайн-справку по WorkBench.

Подтвердите соединения

Включите логическую мощность 24 В пост. тока для системы (для обмена данными питание от сети не требуется). Убедитесь, что оба зеленых светодиода наличия связи на MKD-C и ПК горят.

Хотя значок ограниченного функционирования соединения с приводом и отображается в Windows, ПК может осуществлять обмен данными с приводом в полном объеме. После этого можно выполнить конфигурирование привода через это соединение, используя WorkBench.

Установите и запустите WorkBench

WorkBench содержится на DVD, входящем в комплект поставки привода, а также на веб-сайте Kollmorgen: www.kollmorgen.com. Выберите установочный файл и следуйте инструкциям в программе установки.

По завершении установки нажмите на значок WorkBench для запуска программы.

Задайте параметры и активируйте оси в WorkBench

Для получения информации см. Онлайн-справку по WorkBench.

7.9 Устранение неисправностей в системе MKD

Неисправности приводов могут возникнуть по самым различным причинам, которые зависят от условий эксплуатации. Причины неисправностей в многоосевых системах могут быть очень сложными. Если устранить неисправность самостоятельно не удастся, обратитесь за помощью в службу поддержки Kollmorgen.

УКАЗАНИЕ

При устранении ошибок и неисправностей следует соблюдать правила техники безопасности. Поиск и устранение неисправностей должны выполняться только квалифицированным и обученным персоналом.

INFO

Подробная информация по устранению неисправностей содержится в Онлайн-справке по WorkBench.

8 Appendix

8.1 Electrical Data	131
8.1.1 MKD-C	131
8.1.2 MKD-N, single axis	132
8.1.3 MKD-N, dual axis	132
8.2 Mechanical Data	133
8.2.1 Mounting Example	133
8.2.2 Dimension Drawing	134
8.3 Connections	135
8.3.1 Connection Overview	135
8.3.2 Connection diagrams	139
8.3.3 Fusing	142
8.3.4 Connector pin assignments	143
8.4 Fault and Warning Messages	151
8.5 Approvals	152
8.5.1 Conformance with UL/cUL	152
8.5.2 Conformance with REACH	153
8.5.3 Conformance with EU Low Voltage, EMC and RoHS Directives	153
8.5.4 Conformance with EU Machinery Directive, Functional Safety	154
8.6 Abbreviations Used	155

8.1 Electrical Data

8.1.1 MKD-C

Electrical data	Units	MKD-C-NA	MKD-C-CA
Rated supply voltage (L1, L2, L3)	V~	3 x 400 V to 3 x 480 V, $\pm 10\%$	
Rated supply input frequency	Hz	50 Hz / 60 Hz	
Rated input power	kVA	30	10
Rated input current			
at 3x400 V~	A	44	15
at 3x480 V~	A	36	12
Permitted switch on/off frequency, mains	1/h	30	30
Max. inrush current	A	20	20
Rated DC bus link voltage (Bus Turn on Delay 3ph 1 sec)	VDC	565 to 680	
Standby DC power voltage	VDC	55 $\pm 10\%$	
Continuous total output current			
at 565 VDC	A=	53	17.6
at 680 VDC	A=	44	14.6
Peak total output current (for 1 s, $\pm 3\%$)			
at 565 VDC	A=	159	
at 680 VDC	A=	132	
Continuous output power	kVA	30	
Rated output power			
continuous (string 1 / 2 / 3)	kVA	30 / 10 / 10	depends on SC and load cycle
peak for 1 sec (string 1 / 2 / 3)	kVA	90 / 30 / 30	90 / 30 / 30
Peak total output power (1 sec every 15 sec)*	kVA	90	
Technical data for regen circuit	—	see MKD-C/N Installation Manual	
Thermal dissipation at 24V standby (no drive axis)	W	17	
Thermal dissipation at rated current (without regen power)	W	375	250**
Efficiency factor	%	98.7	97.6**
Noise emission (low speed / high speed fan)	dB(A)	40 / 90	
Aux. voltage supply (PELV)	VDC	24 V ($\pm 10\%$, check voltage drop)	
Aux. voltage supply current			
maximum required	A=	40	
per axis without brake	A=	0.33	
Aux. voltage inrush current	A=	16	
Protection class	-	IP20	

* Do not exceed continuous rating of 30 kW over the profile cycle.

** Two MKD-C CA are operated in parallel via DC bus sharing with a current limit set to 20A

8.1.2 MKD-N, single axis

Electrical data	Units	MKD-N0600	MKD-N1200	MKD-N2400	MKD-N4800
Rated supply voltage	VDC	565 to 680			
Standby supply voltage	VDC	55			
Rated input power for continuous operation	kVA	2.6	4.5	8.5	16.3
Rated input current at 565 VDC	A	4.6	8.1	15.3	30.8
Rated input current at 680 VDC	A	3.8	6.7	12.7	25.4
Continuous output current (± 3%)					
Axis	Arms	6	12	24	48
Module	Arms	6	12	24	48
Peak output current (for 5 s, ± 3%)					
Axis	Arms	18	30	48	96
Module	Arms	18	30	48	96
Continuous output power	kW	2.5	5	10	20
Peak output power (for 5 s)	kW	7.5	12.5	20	40
Motor inductance min.	mH	3.2	2.5	1.2	0.6
Motor inductance max.	mH	300	250	120	60
Thermal dissipation, output stage disable	W	16	15	22	21
Thermal dissipation at rated current	W	155	220	440	725
Efficiency factor (IE2)	%	90	92	96.5	97.5
Motor holding brake current, max.	A	1.6	1.6	2.2	2.2

8.1.3 MKD-N, dual axis

Electrical data	Units	MKD-N0606	MKD-N1206	MKD-N1212
Rated supply voltage	VDC	565 to 680		
Standby supply voltage	VDC	55		
Rated input power for continuous operation	kVA	4.5	6.5	8.5
Rated input current at 565 VDC	A	8.1	11.7	15.3
Rated input current at 680 VDC	A	6.7	9.7	12.7
Continuous output current (± 3%)				
Axis 1 / 2	Arms	6 / 6	12 / 6	12 / 12
Module	Arms	12	18	24
Peak output current (for 5 s, ± 3%)				
Axis 1 / 2	Arms	18 / 18	18 / 30	30 / 30
Module	Arms	36	48	60
Continuous output power	kW	5	7.5	10
Peak output power (for 5 s)	kW	15	20	25
Motor inductance min.	mH	3.2 / 3.2	2.5 / 3.2	2.5 / 2.5
Motor inductance max.	mH	300 / 300	250 / 300	250 / 250
Thermal dissipation, output stage disable	W	15	19	22
Thermal dissipation at rated current	W	220	350	440
Efficiency factor (IE2)	%	92	94	96.5
Motor holding brake current, max.	A	1.6 / 1.6	1.6 / 1.6	1.6 / 1.6

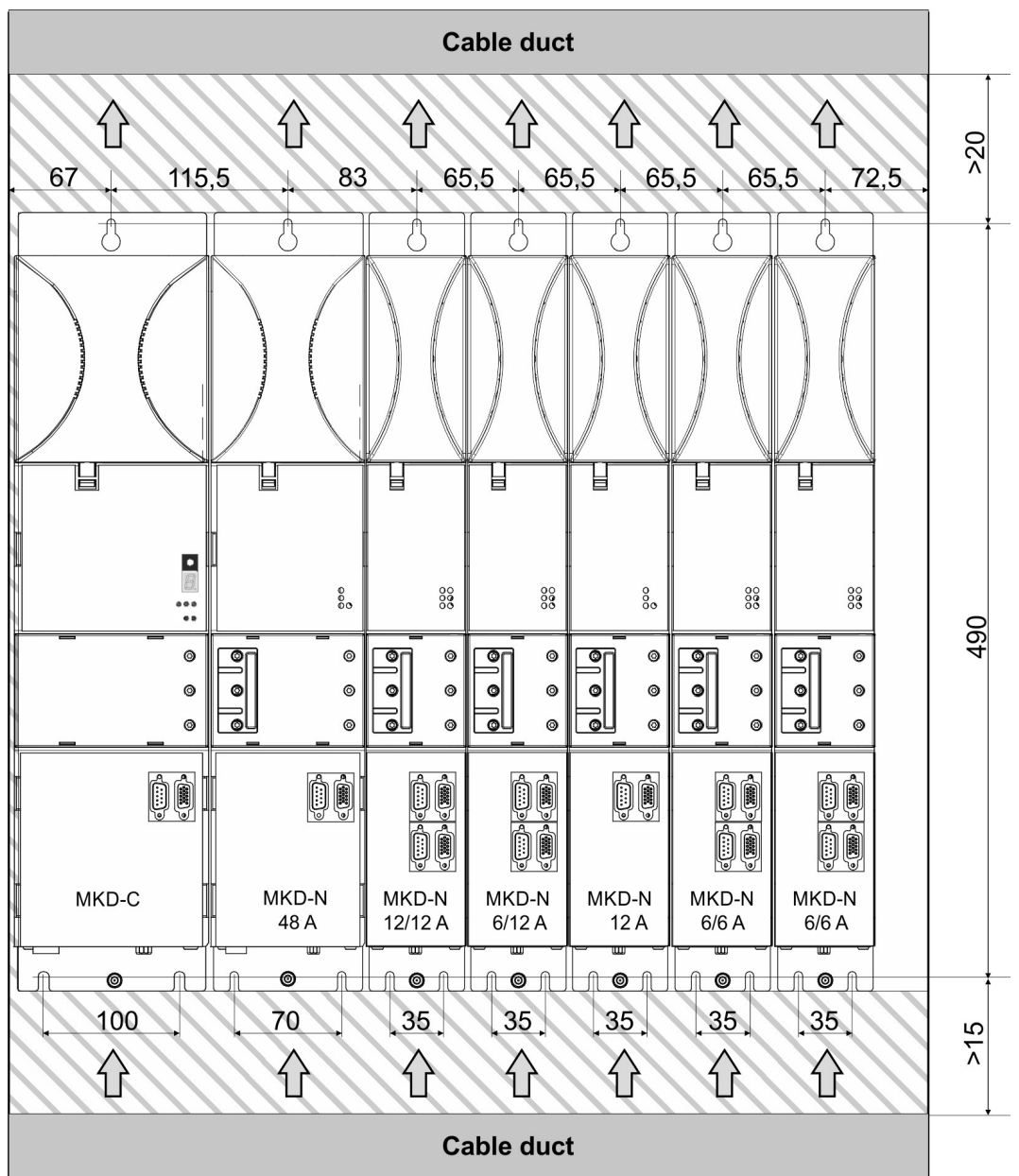
8.2 Mechanical Data

	Units	MKD-C	MKD-N							
			6A	6A 6A	12A	12A 6A	12A 12A	24A	48A	
Weight	kg	20	5.6	6.1	5.8	6.3	6.5	7.3	9.2	
Height, with connectors	mm	800	500					590		
Width	mm	130	65						100	
Depth, with connectors	mm	260	300							

8.2.1 Mounting Example

Mounting material: M5 hexagon socket screws to ISO 4762, 4 mm T-handle Allen key.

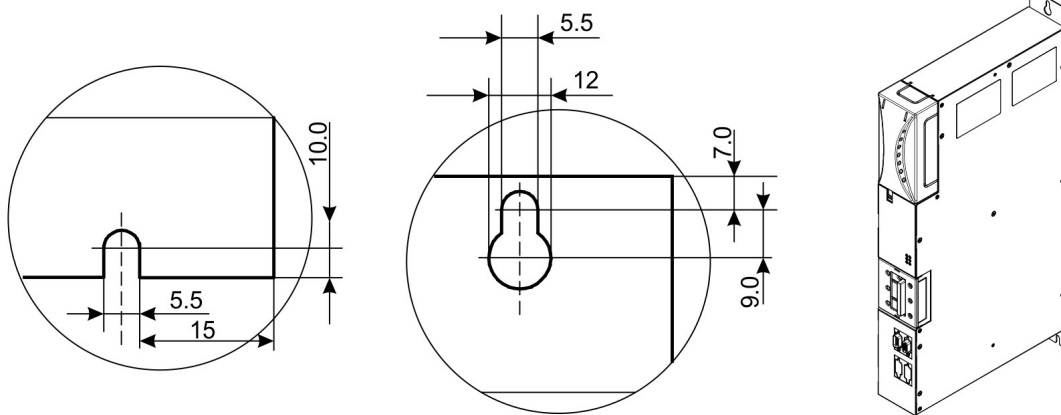
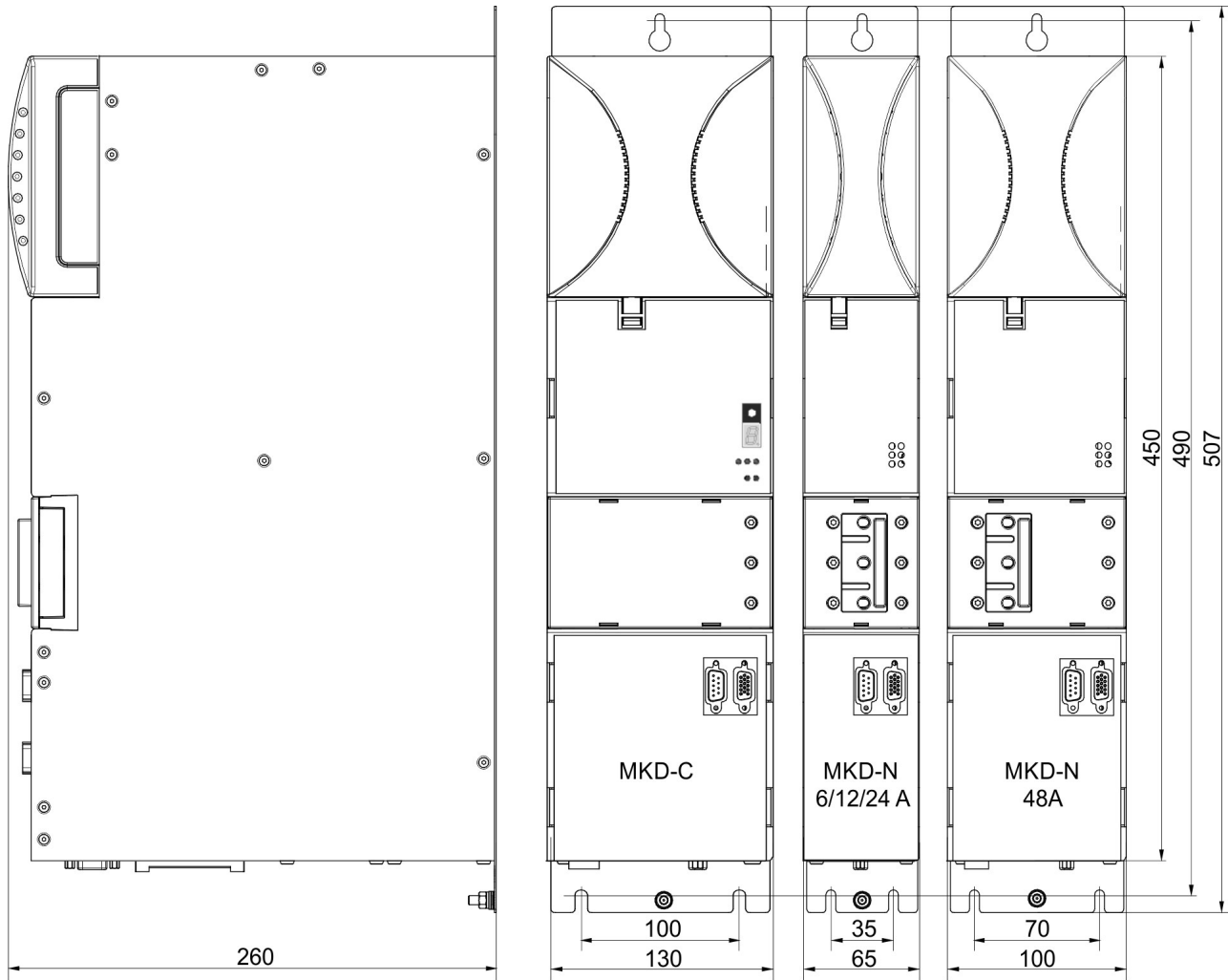
Cabinet example: Width 600 mm, String 1 with 6 drive modules (10 axes)



Dimensions in mm

Keep hatched space free!

8.2.2 Dimension Drawing



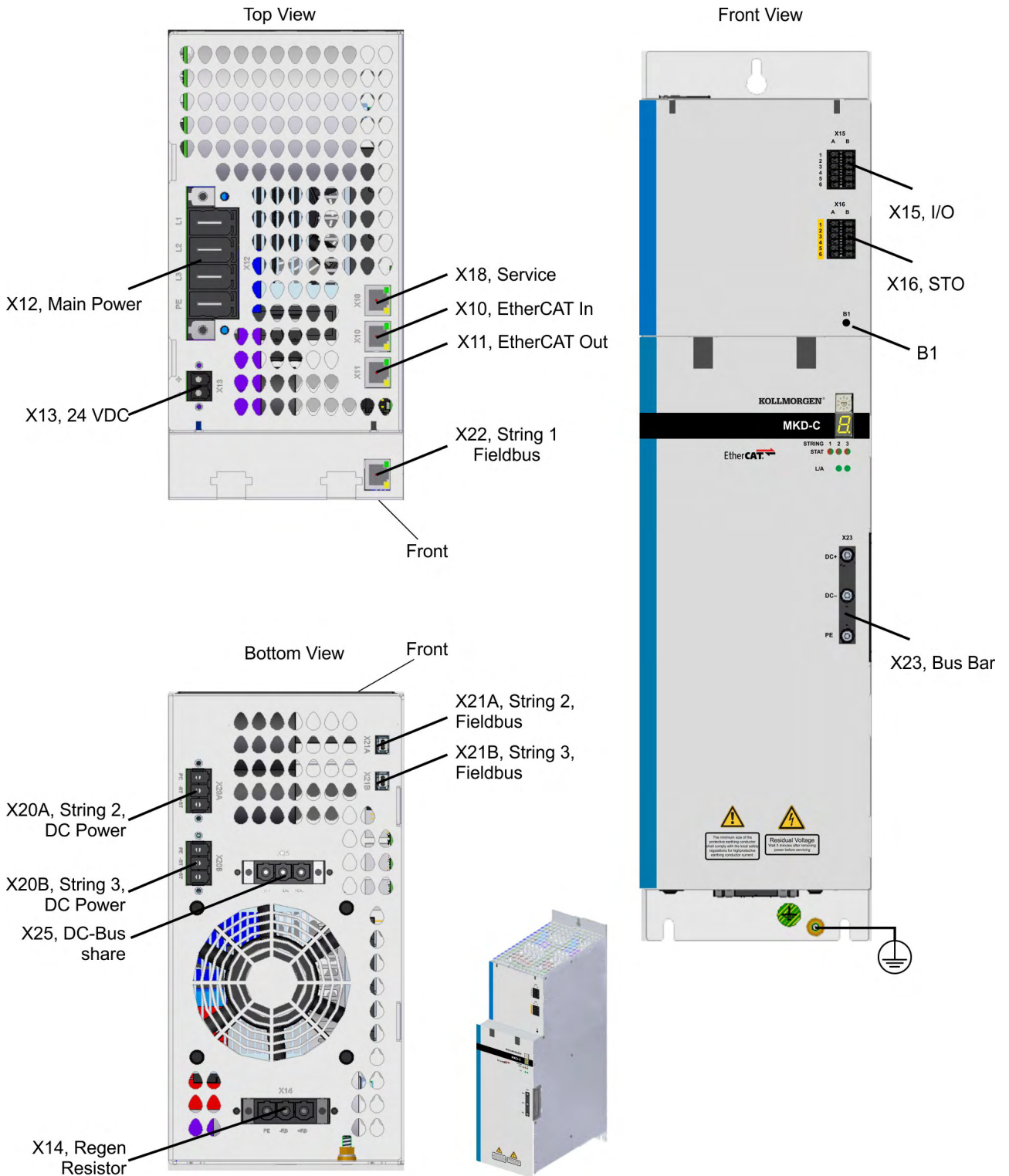
8.3 Connections

NOTE

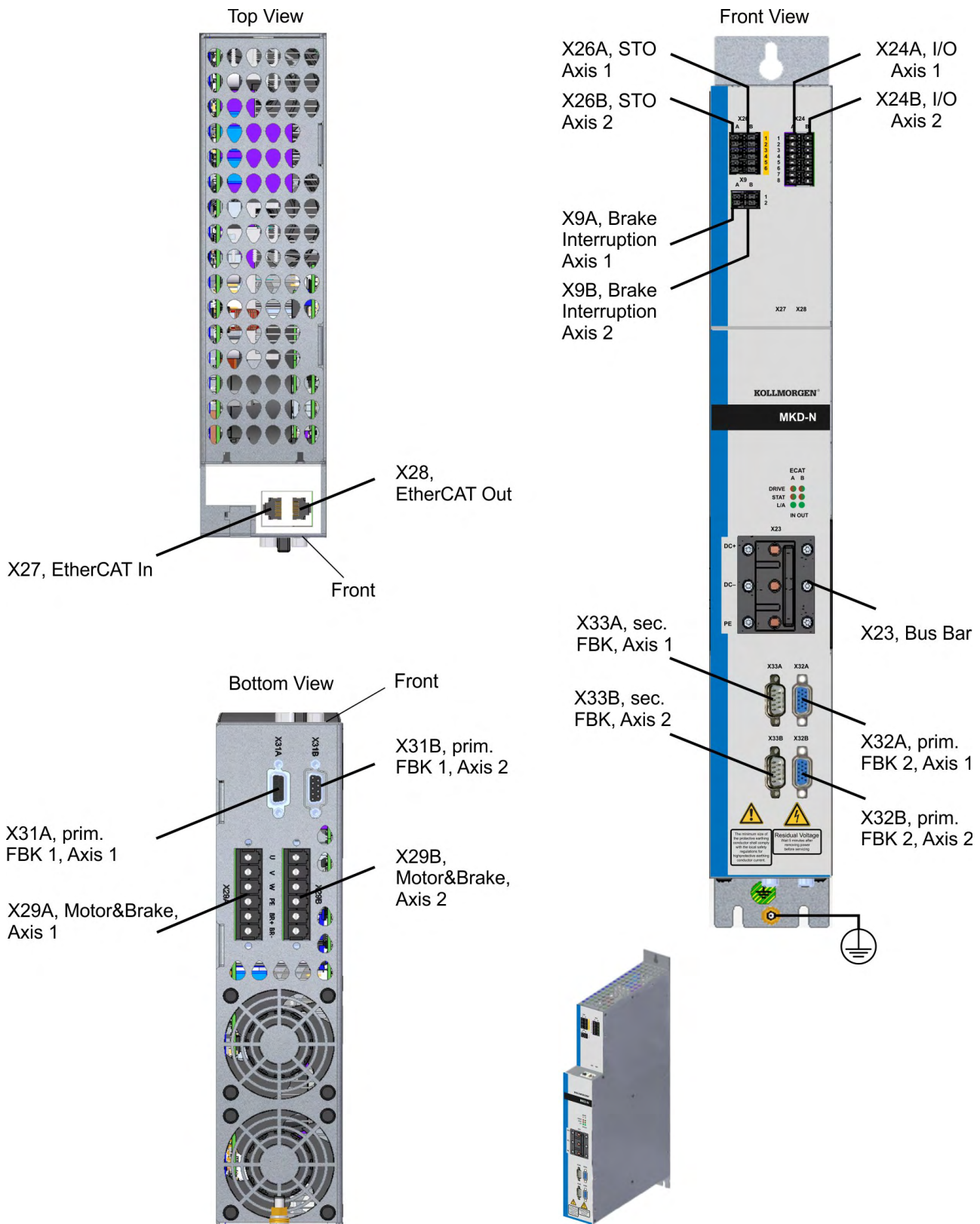
Detailed interface descriptions see *MKD Installation Manual*.

8.3.1 Connection Overview

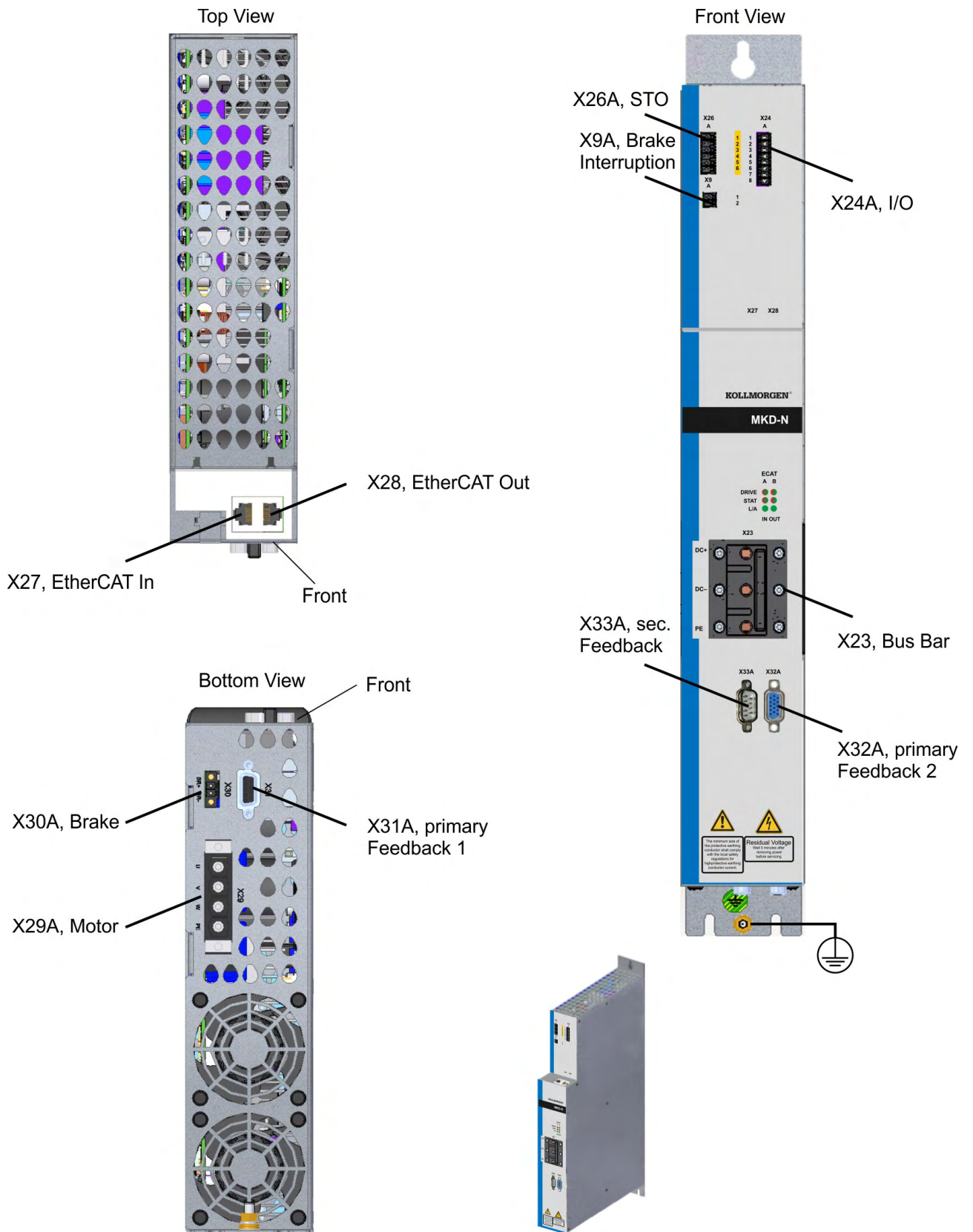
8.3.1.1 Connector Position MKD-C



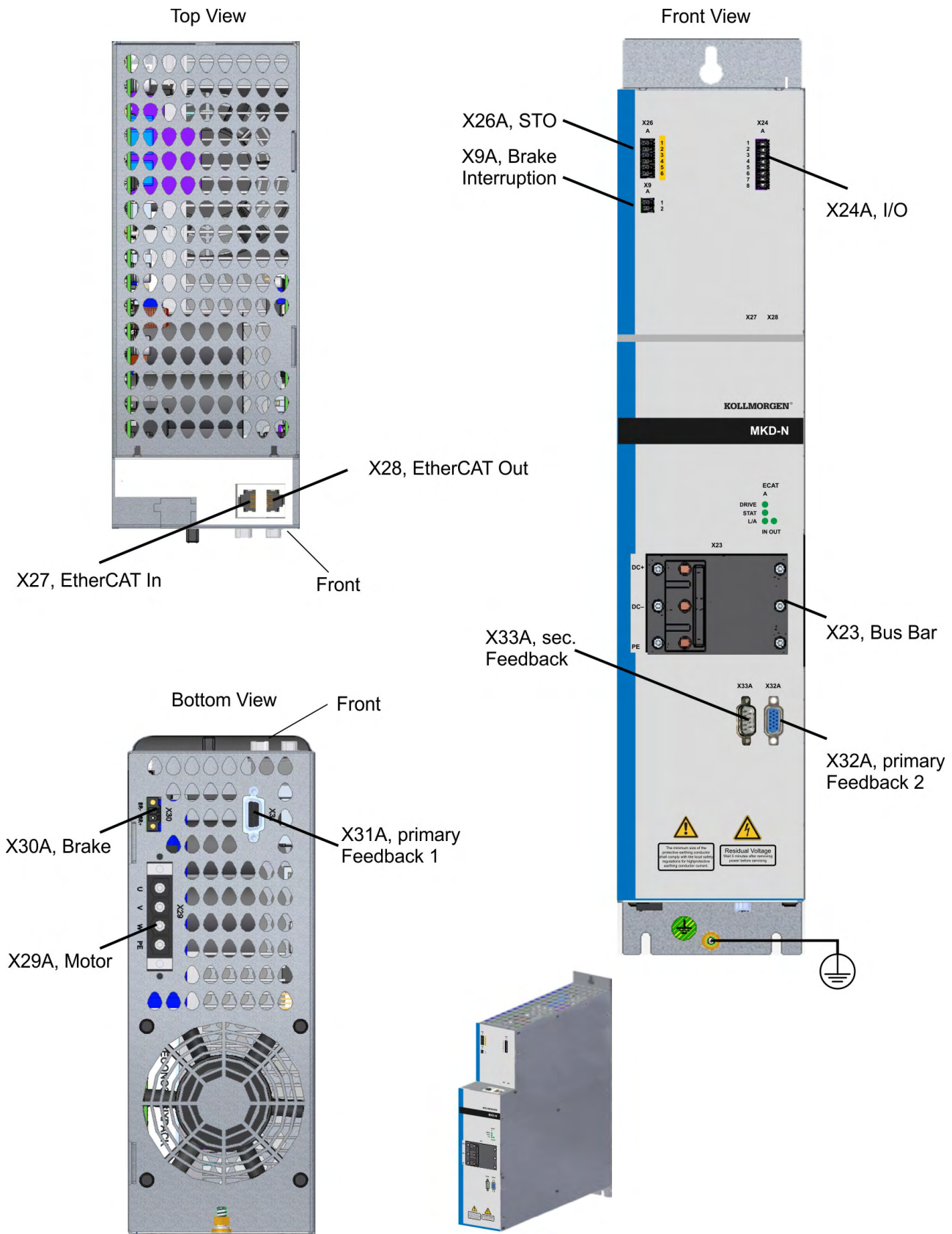
8.3.1.2 Connector Position MKD-N (6A, 12A)



8.3.1.3 Connector Position MKD-N (24A)

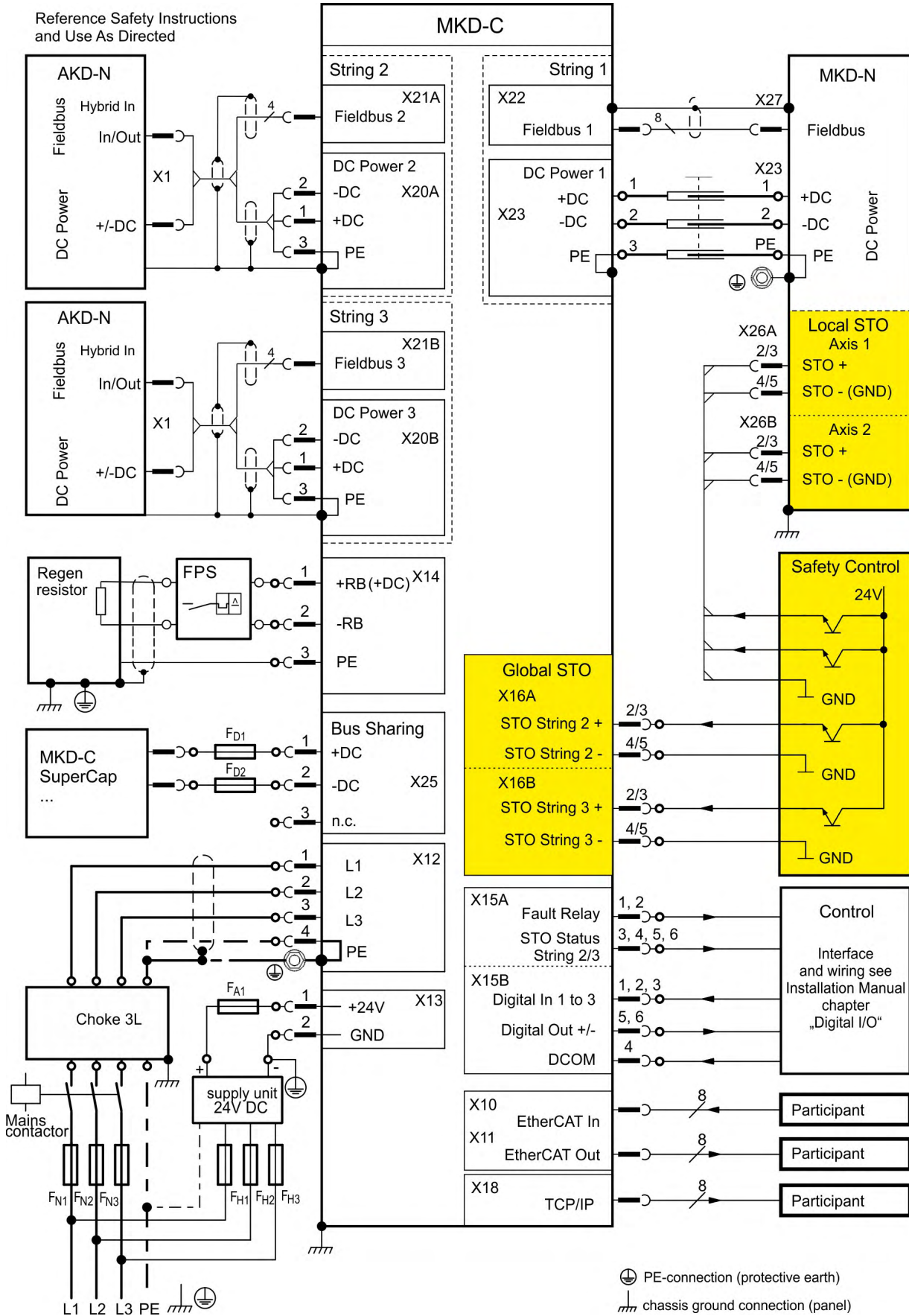


8.3.1.4 Connector Position MKD-N (48A)



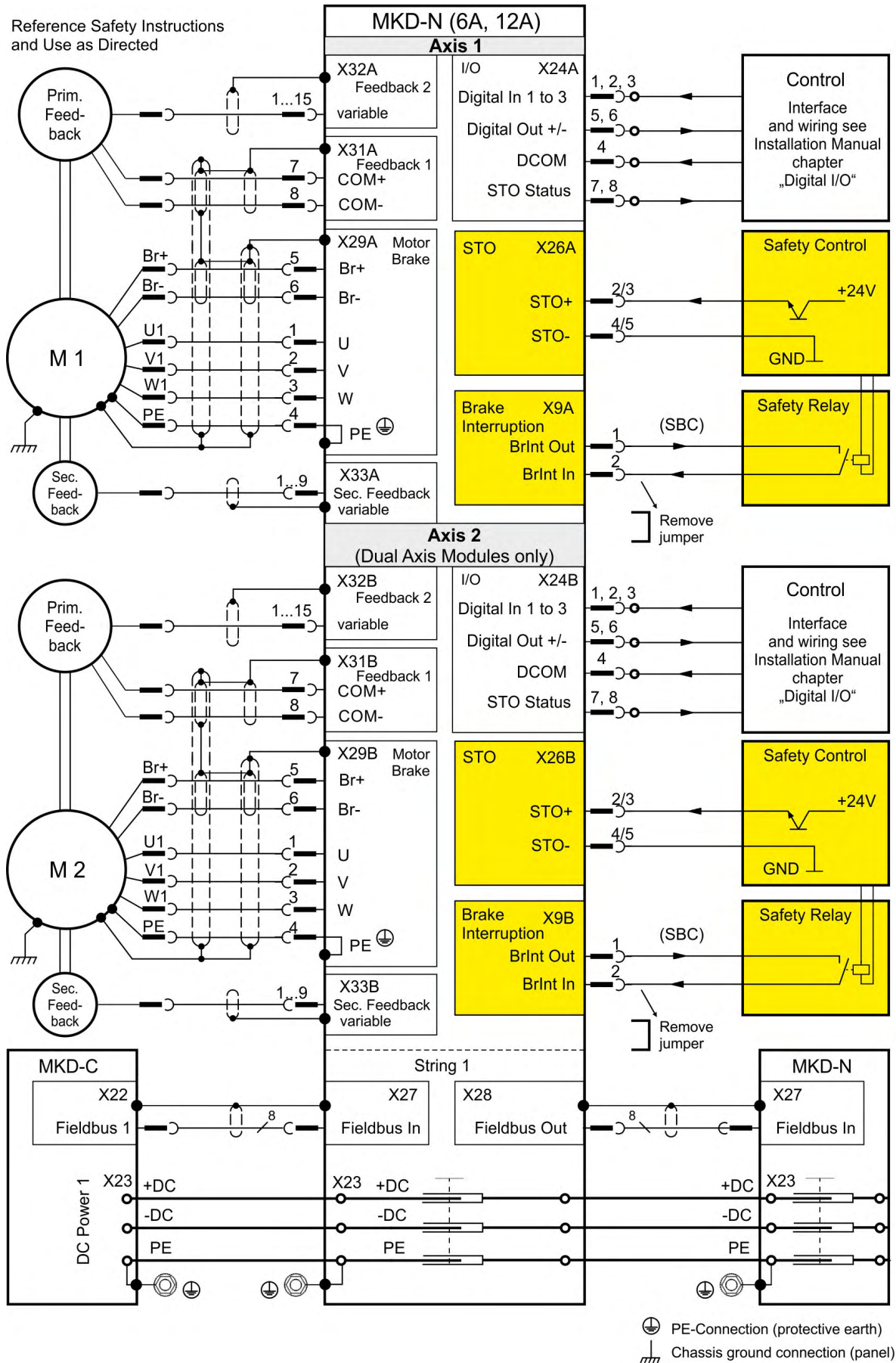
8.3.2 Connection diagrams

8.3.2.1 MKD-C



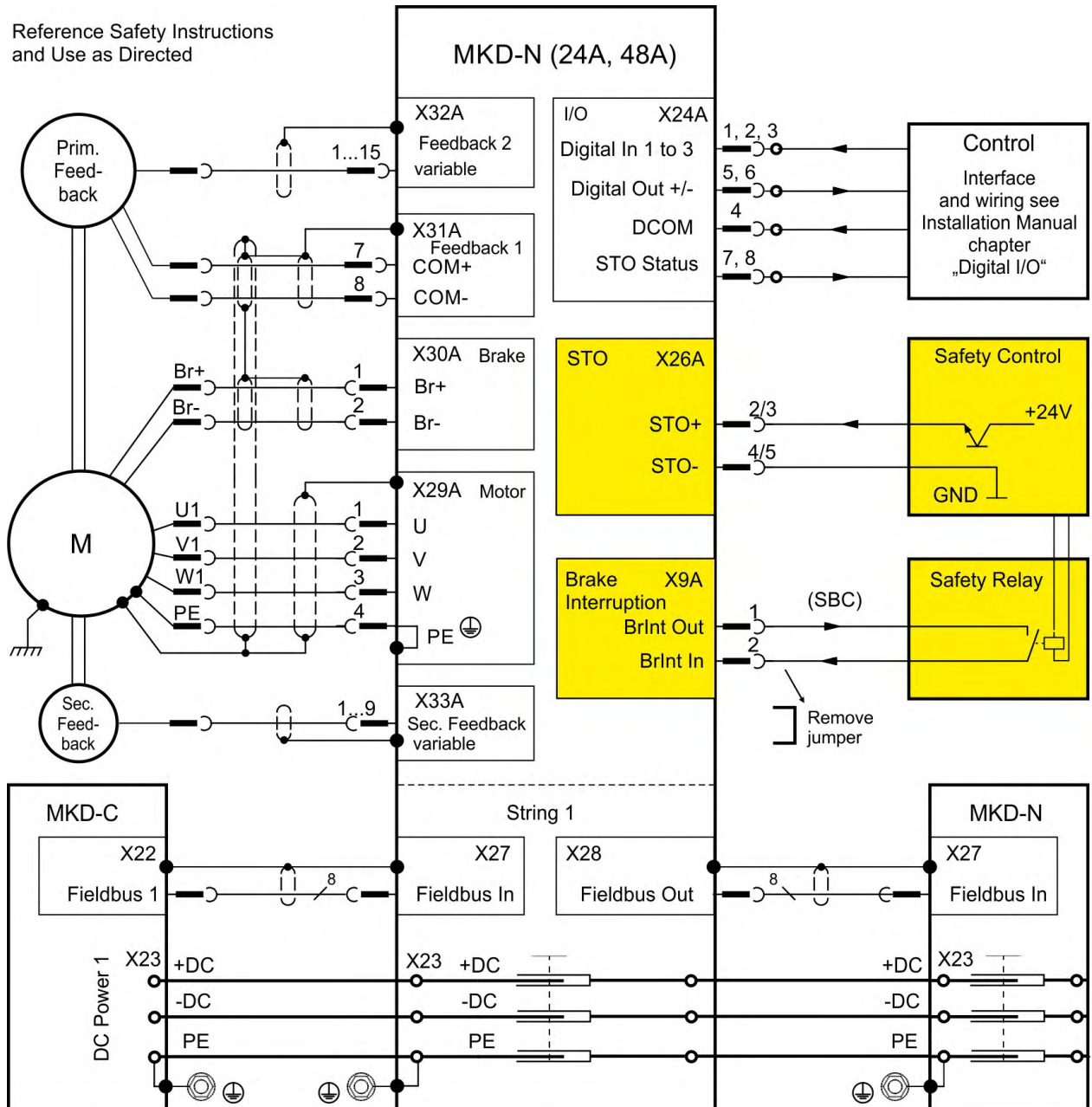
8.3.2.2 MKD-N (6A, 12A)

Reference Safety Instructions and Use as Directed



8.3.2.3 MKD-N (24A, 48A)

Reference Safety Instructions and Use as Directed



8.3.3 Fusing

8.3.3.1 External power supply and 24 V fusing

NOTE Non renewable cartridge fuses must be used with finger safe fuse holders according to IEC 60529.

UL/cUL cartridge fuses: Class J, 600 VAC 200 kA, time-delay. The fuse must be UL and cUL listed. The voltage rating of the external fuse(s) shall be at least equal to the mains voltage.

CE cartridge fuses: types gS(gRL) or gG, 400 V/500 V, time-delay

Cartridge Fuses	Ampere rating	UL Region	CE Region
MKD-C003007-NAEC: External AC power supply fusing (FN1/2/3)	60 A (Time-Delay)	example Mersen: AJT 60, 60A	example Siba: type gS/gG, D02, 63A
MKD-C001007-CAEC: External AC power supply fusing (FN1/2/3)	20 A (Time-Delay)	example Mersen: AJT 20, 20A	example Siba: type gS/gG, D02, 20A
External 24 VDC supply fusing (FA1)	40 A (Time-Delay)	example Mersen: TR40R, 40A	example Mersen: D02GG40V40/10, 40A

Ampere rating for operation with full application power. Low coincidence factor may allow reduction of fuse ampere rating.

8.3.3.2 External regen resistor fusing

FPS: Frizlen DC Powerswitch

RBext	FPS	Range [In]	cable cross section
BAS(U)2000-10	FPS-16	10 to 16 A	min. 2.5 mm ²
BAS(U)3000-10	FPS-20	16 to 20 A	min. 4 mm ²
BAS(U)6000-10	FPS-25	20 to 25 A	min. 4 mm ²

8.3.3.3 DC-Bus link fusing

NOTE Non renewable cartridge fuses must be used with finger safe fuse holders according to IEC 60529.

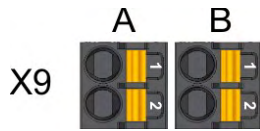
UL/cUL cartridge fuses: Class J, 600 VAC 200 kA, time-delay. The fuse must be UL and cUL listed.

CE cartridge fuses: types gS(gRL) or gG, 400 V/500 V, time-delay

Cartridge Fuses	Ampere rating	UL Region	CE Region
DC-Bus link fusing (FD1/2)	50 A (Time-Delay)	Eaton: FWP-50A14F	Siba 400V to 480V: aR 50A
Supercap fusing (FD1/2)	max. 32 A	Mersen: HP10M25 (25 A) or HP10M30 (30 A) or HP10M32 (32 A)	

8.3.4 Connector pin assignments

8.3.4.1 X9A, X9B: MKD-N, Brake interruption



- MKD-N, front
- 2 pin, pitch 3.5 mm
- X9A for Axis 1, (pin 1 coded)
- X9B for Axis 2 if applicable (pin 2 coded)

Pin	Signal	Description
1	Brlnt Out	Brake interruption +
2	Brlnt In	Brake Interruption -

NOTICE This functionality is not approved nor certified. Do not use this functionality in applications. Use cable with minimum 0.5 mm² cross section to jumper the connector pins 1 and 2.

8.3.4.2 X10, X11: MKD-C, EtherCAT Fieldbus In/Out

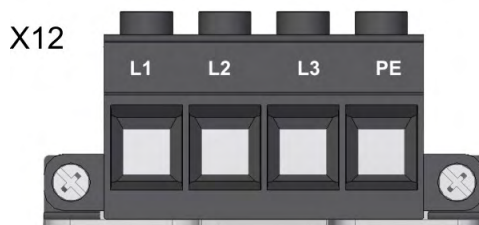


- MKD-C, top
- RJ45 with built-in green and yellow LEDs
- X10 IN port, X11 OUT port



Pin	Signal	Pin	Signal
1	Transmit +	5	n.c.
2	Transmit -	6	Receive-
3	Receive+	7	n.c.
4	n.c.	8	n.c.

8.3.4.3 X12: MKD-C, Mains Supply

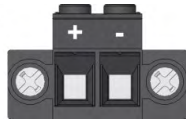


- MKD-C, top
- 4 pin, pitch 7.62 mm
- With shield plate

Pin	Signal	Description
1	L1	3~ mains supply L1, 1~ supply L, DC supply +
2	L2	3~ mains supply L2
3	L3	3~ mains supply L3, 1~ supply N, DC supply -
4	PE	Protective earth

8.3.4.4 X13: MKD-C, 24V DC Logic Supply

X13

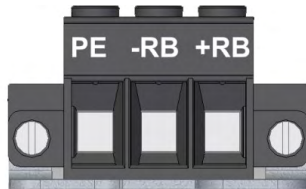


- MKD-C, top
- 2 pin, pitch 5.08 mm
- optional T version

Pin	Signal	Description
1	+ 24 V	+24 VDC supply voltage, PELV
2	GND	Ground for 24 VDC supply voltage, PELV

8.3.4.5 X14: MKD-C, External regen resistor

X14

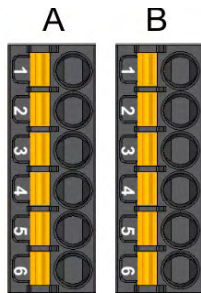


- MKD-C, bottom
- 3 pin, pitch 10.16 mm
- optional T version

Pin	Signal	Description
1	+ RB	External regen resistor +
2	- RB	External regen resistor -
3	PE	Protective earth

8.3.4.6 X15A, X15B: MKD-C, I/O

X15

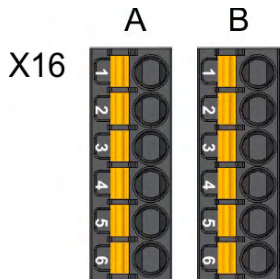


- MKD-C, front
- 2 x 6 pins, pitch 3.5 mm
- X15A pin 4 coded
- X15B pin 3 coded

X15A Pin	Signal	Description
1	Relay Out +	Relay contact, normally open, 24 VDC, 1A
2	Relay Out -	Relay contact, normally open, 24 VDC, 1A
3	STO Status String 2+	Global STO Status + for String 2
4	STO Status String 2-	Global STO Status - for String 2
5	STO Status String 3+	Global STO Status + for String 3
6	STO Status String 3-	Global STO Status - for String 3

X15B Pin	Signal	Description
1	Digital-In 1	Slow, isolated, sink, type EN 61131-2 type 1
2	Digital-In 2	Slow, isolated, sink, type EN 61131-2 type 1
3	Digital-In 3	Slow, isolated, sink, type EN 61131-2 type 1
4	DCOM	Ground for digital I/O
5	Digital-Out+	Slow, isolated, sink, type EN 61131-2 type 1
6	Digital-Out-	Slow, isolated, sink, type EN 61131-2 type 1

8.3.4.7 X16A, X16B: MKD-C, Global STO String 2 and 3



- MKD-C, front
- 2 x 6 pins, pitch 3.5 mm
- X16A for String 2, pin 2 coded
- X16B for String 3, pin1 coded

X16A Pin	Signal	Description
1	+ 24 V	24 V output voltage (unused)
2	STO String 2 +	Global STO Enable String 2 +
3	STO String 2 +	Global STO Enable String 2 +
4	STO String 2 -	Global STO Enable String 2 -
5	STO String 2 -	Global STO Enable String 2 -
6	GND	Ground

X16B Pin	Signal	Description
1	+ 24 V	24 V output voltage (unused)
2	STO String 3 +	Global STO Enable String 3 +
3	STO String 3 +	Global STO Enable String 3 +
4	STO String 3 -	Global STO Enable String 3 -
5	STO String 3 -	Global STO Enable String 3 -
6	GND	Ground

8.3.4.8 X18: MKD-C, Service



- MKD-C, top
- RJ45 with built-in green and yellow LEDs
- 100/10 Mbit Ethernet TCP/IP
- Supports auto-IP, DHCP and fixed IP addressing
- Supports point-to-point (i.e. Auto-IP) and connection via network switches
- Supports automatic discovery in WorkBench if in the same sub-net.

Pin	Signal	Description
1	Tx +	Transmit +
2	Tx -	Transmit -
3	Rx +	Receive +
6	Rx -	Receive -

8.3.4.9 X20A, X20B: MKD-C, String 2/3 DC Power

X20A
X20B



- MKD-C, bottom
- 3 pin, pitch 5.08 mm
- X20A for String 2, X20B for String 3

Pin	Signal	Description
1	+ST	String DC Power +
2	-ST	String DC Power -
3	PE	Protective earth

8.3.4.10 X21A, X21B: MKD-C, String 2/3 Communication

X21A
X21B




- MKD-C, bottom
- Mini I/O
- X21A for String 2, X21B for String 3

Pin	Signal	Description
1	Rx +	Receive +
2	Rx -	Receive -
3	Tx +	Transmit +
6	Tx -	Transmit -

8.3.4.11 X22: MKD-C, String 1 Communication

X22

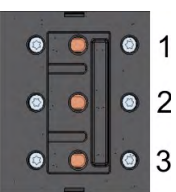


- MKD-C, front
- RJ45 with built-in green and yellow LEDs

Pin	Signal	Description
1	Tx+	Transmit +
2	Tx -	Transmit -
3	Rx +	Receive +
6	Rx -	Receive -

8.3.4.12 X23: MKD-C, MKD-N, String 1 DC Power

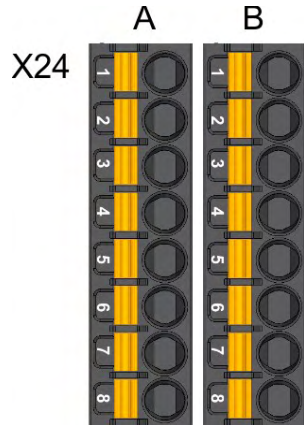
X23



- MKD-C, MKD-N, front
- 3 slide contacts with screws
- Connects DC-Bus link between modules

Pin	Signal	Description
1	+ DC	DC bus link +
2	- DC	DC bus link -
3	PE	Protective earth

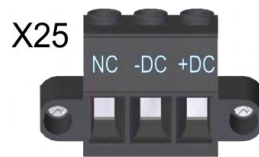
8.3.4.13 X24A, X24B: MKD-N, I/O



- MKD-N, front
- 8 pins, pitch 3.5 mm
- X24A for axis 1, pin 6 coded
- X24B for axis 2 if applicable, pin 5 coded

Pin	Signal	Description
1	Digital-In 1	Fast, isolated, sink, type EN 61131-2 type 1
2	Digital-In 2	Fast, isolated, sink, type EN 61131-2 type 1
3	Digital-In 3	Slow, isolated, sink, type EN 61131-2 type 1
4	DCOM	Ground for digital I/O
5	Digital-Out+	Slow, isolated, sink, type EN 61131-2 type 1
6	Digital-Out-	Slow, isolated, sink, type EN 61131-2 type 1
7	STO Status Out+	Local STO Status +
8	STO Status Out-	Local STO Status -

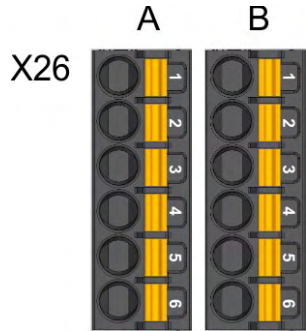
8.3.4.14 X25: MKD-C, DC Bus sharing



- MKD-C, bottom
- 3 pin, pitch 10.16 mm
- With shield plate

Pin	Signal	Description
1	+ DC	DC-Bus link +
2	- DC	DC-Bus link -
3	n.c.	not connected

8.3.4.15 X26A, X26B: MKD-N, Local STO



- MKD-N, front
- 2 x 6 pins, pitch 3.5 mm
- X26A for axis 1, pin 1 coded
- X26B for axis 2 if applicable, pin 2 coded

Pin	Signal	Description
1	+ 24 V	24 V output voltage (unused)
2	STO +	Local STO Enable +
3	STO +	Local STO Enable +
4	STO -	Local STO Enable -
5	STO -	Local STO Enable -
6	GND	Ground

8.3.4.16 X27, X28: MKD-N, String Communication

X27 X28



- MKD-N, front
- RJ45 with built-in green and yellow LEDs
- X27 IN port, X28 OUT port
- Node ID to be set by WorkBench

Pin	Signal	Description
1	Tx+	Transmit +
2	Tx -	Transmit -
3	Rx +	Receive +
6	Rx -	Receive -

8.3.4.17 X29A, X29B: MKD-N 6A or 12A, Motor Power, Brake

X29A
X29B



- MKD-N, bottom
- 6 pin, pitch 7.62 mm
- X29A for Axis 1, X29B for Axis 2 if applicable
- Motor power, Motor brake
- With shield plate

Pin	Signal	Description
1	U	Motor phase U
2	V	Motor phase V
3	W	Motor phase W
4	PE	Protective earth
5	BR+	Motor holding brake +
6	BR-	Motor holding brake -

8.3.4.18 X29A: MKD-N 24A or 48A, Motor Power

X29A

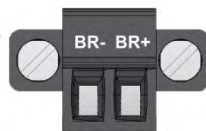


- MKD-N, bottom
- 4 pin, pitch 7.62 mm
- Motor power, Motor brake
- With shield plate

Pin	Signal	Description
1	U	Motor phase U
2	V	Motor phase V
3	W	Motor phase W
4	PE	Protective earth

8.3.4.19 X30A: MKD-N 24A or 48A, Motor Brake

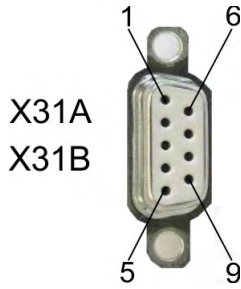
X30A



- MKD-N, bottom
- 2 pin, pitch 3.81 mm
- required for SIL3 brake control

Pin	Signal	Description
1	BR+	Motor holding brake +
2	BR-	Motor holding brake -

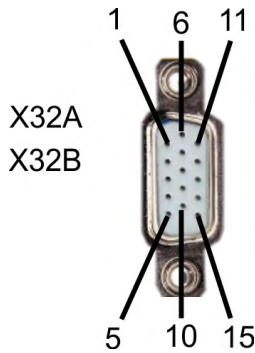
8.3.4.20 X31A, X31B: MKD-N, primary Feedback 1



- MKD-N, bottom
- Sub-D 9 pin, female
- Mating connector male
- Input for two wire commutation feedback
- X31A for Axis 1, X31B for Axis 2 if applicable

Pin	Signal	Description
1 to 6	-	not connected
7	COM+	SFD3 + or HIPERFACE DSL +
8	COM-	SFD3 - or HIPERFACE DSL -
9	-	not connected

8.3.4.21 X32A, X32B: MKD-N, primary Feedback 2



- MKD-N, front
- Sub-D high density 15 pin, female
- Mating connector male
- Input for conventional commutation feedback
- X32A for Axis 1, X32B for Axis 2 if applicable

Pin	SFD	BiSS B	BiSS C	EnDAT 2.1	EnDAT 2.2	Sine/Cos +Hall	Incr. Enc. +Hall
1	-	-	-	-	-	Hall U	Hall U
2	-	CLK+	CLK+	CLK+	CLK+	Hall V	Hall V
3	-	CLK-	CLK-	CLK-	CLK-	Hall W	Hall W
4	+5V	+5V	+5V	+5V	+5V	+5V	+5V
5	0V	0V	0V	0V	0V	0V	0V
6	COM+	DAT+	DAT+	DAT+	DAT+	Zero+	Zero+
7	COM-	DAT-	DAT-	DAT-	DAT-	Zero-	Zero-
8	-	Th+	-	Th+	-	Th+	Th+
9	-	Th-	-	Th-	-	Th-	Th-
10	+5V	+5V	+5V	+5V	+5V	+5V	+5V
11	0V	0V	0V	0V	0V	0V	0V
12	-	A+	-	A+	-	A+	A+
13	-	A-	-	A-	-	A-	A-
14	-	B+	-	B+	-	B+	B+
15	-	B-	-	B-	-	B-	B-

CLK = Clock, DAT = Data, Th = thermal control

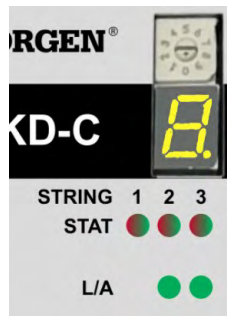
8.3.4.22 X33A, X33B: MKD-N, secondary Feedback



- MKD-N, front
- Sub-D 9 pin, male
- Mating connector female
- Input for secondary feedback
- X33A for Axis 1, X33B for Axis 2 if applicable

Pin	Sine / Cos	Incr. Enc.
1	A+	A+
2	A-	A-
3	0 V	0 V
4	B+	B+
5	B-	B-
6	Shield	Shield
7	Zero+	Zero+
8	Zero-	Zero-
9	+5 V	+5 V

8.4 Fault and Warning Messages



- Rotary Switch
- 7 Segment Display
- Run/Error LEDs
- Link/Activity

MKD fault codes or warning codes are displayed constantly if present. Fault messages are coded with "F", warnings are coded with "n".

The LED displays the fault or warning number as follows: F-1-0-1-[break] or n-1-0-1-[break]. The highest priority fault is displayed. Multiple faults may be present when a fault condition is occurring. Check the WorkBench Fault Screen or read the status of DRV.FAULTS through the controller or HMI for the entire list of faults.

NOTICE

Eliminate errors and faults in compliance with work safety rules. Troubleshooting only by qualified and trained staff.

NOTE

More information about warnings and fault messages, causes, remedy and clearing faults can be found in the WorkBench online help and in the MKD Installation Manual..

8.5 Approvals

8.5.1 Conformance with UL/cUL

MKD system products covered in UL file number **E217428**, Power Conversion Equipment:

- MKD (Modular Kollmorgen Drive) Decentral System, consisting of
 - Power supply MKD-CXXXX07-XXXX-XXXX and
 - Inverter module MKD-NXXXX07-XXXX-XXXX and/or
 - AKD-N3/6/12 with connection cables cat. no. MKC-HYB-x-AKN-XXX, and/or CCNNN1-025-XXXX-00.
 - Choke 3L 0,5-63-4

USL - Indicates investigation to United States Standard **UL 61800-5-1**.

CNL - Indicates investigation to Canadian Standard for adjustable speed drives, **C22.2 No. 274**

UL Markings / Marquages UL

NOTE

For full information on life cycle handling, technical data, and installation refer to the matching sections in this document.

English	Français
● MKD-C is suitable for use on a circuit capable of delivering not more than 42kA rms symmetrical amperes, 480 V maximum, when protected by J Class Fuses.	● <i>MKD-C est conçu pour une utilisation sur un circuit capable de fournir 42kA symétriques (rms) maximum pour 480 V maximum, lorsqu'il est protégé par des fusibles de classe J.</i>
● Only for use in WYE 480V/277V supply sources.	● <i>À utiliser uniquement avec les sources d'alimentation WYE 480V / 277V.</i>
● Maximum surrounding air temperature 40°C.	● <i>La température maximale de l'air ambiant de 40°C.</i>
● MKD-C are intended to be used in a pollution degree 2 environment.	● <i>MKD-C sont prévus pour une utilisation dans un environnement de pollution de niveau 2.</i>
● MKD-C: Use 75°C copper wire only.	● <i>MKD-C: Utilisez seulement un fil cuivre 75°C.</i>
● MKD-C: CAUTION: Risk of Electrical Shock! Capacitors can have dangerous voltages present up to 5 minutes after switching off the supply power. For increased safety, measure the voltage in the DC bus link and wait until the voltage is below 50 V.	● <i>MKD-C: ATTENTION: Risque de choc électrique! Des tensions dangereuses peuvent persister dans les condensateurs jusqu'à 5 minutes après la mise hors tension. Pour plus de sécurité, mesurez la tension dans la liaison de bus CC et attendez qu'elle soit inférieure à 50 V.</i>
● Internal Overload Protection operates prior to reaching the 130% of the motor full load current.	● <i>La protection interne contre les surcharges fonctionne avant d'atteindre 130% du courant à pleine charge du moteur.</i>
● Integral solid state short circuit protection does not provide branch circuit protection. Branch circuit protection must be provided in accordance with the National Electrical Code (Canada: Canadian Electrical Code, Part I) and any additional local codes.	● <i>La protection intégrale contre les courts-circuits à l'état solide ne fournit pas de protection de circuit de dérivation. La protection du circuit de dérivation doit être fournie conformément au code électrique national (Canada: Code canadien de l'électricité, partie I) et à tout code local additionnel.</i>

- The following Cartridge fuse types are recommended for branch circuit protection:

Les types de fusibles Cartridge suivants sont recommandés pour protection de secteur

Model/ Modèle	Class/ Classe	Voltage Rating / Niveau de tension	Max. Fuse&SCCR Rating / Niveau maximum & SCCR
MKD-C003007-NAEC	J	600 VAC	100 A, 200 kA
MKD-C001007-CAEC	J	600 VAC	100 A, 200 kA

- The following table illustrates the torque requirements for the field wiring connectors:

Le tableau suivant indique les spécifications de couple pour les connecteurs de câblage sur site:

Connector	Torque / Couple serrage	Wire size / Section de fil
MKD-C X12	30.9 - 39.8 lb-in (3.5 - 4.5 Nm)	2 awg (35 mm ²)
MKD-C X13	6.2 - 7.1 lb-in (0.7 - 0.8 Nm)	10 awg (6 mm ²)
MKD-C X14	2.6 - 6.2 lb-in (0.3 - 0.7 Nm)	8 awg (10 mm ²)
MKD-C X20A/B	2.6 - 6.2 lb-in (0.3 - 0.7 Nm)	10 awg (6 mm ²)
MKD-C X25	2.6 - 6.2 lb-in (0.3 - 0.7 Nm)	6 awg (16 mm ²)
MKD-N X29A/B (6A/12A)	6.2 - 7.1 lb-in (0.7 - 0.8 Nm)	10 awg (6 mm ²)
MKD-N X29A (24A/48A)	2.6 - 6.2 lb-in (0.3 - 0.7 Nm)	6 awg (16 mm ²)
MKD-N X30A (24A/48A)	2.6 - 6.2 lb-in (0.3 - 0.7 Nm)	16 awg (1.5 mm ²)

8.5.2 Conformance with REACH

EU Regulation no. 1907/2006 deals with the registration, evaluation, authorization and restriction of chemical substances 1 (abbreviated to "REACH").

The device does not contain any substances (CMR substances, PBT substances, vPvB substances and similar hazardous substances stipulated in individual cases based on scientific criteria) above 0.1 mass percent per product that are included on the candidate list.

8.5.3 Conformance with EU Low Voltage, EMC and RoHS Directives

EU Declarations of Conformity can be found on the [Kollmorgen Developer Network](#).

The devices have been tested by an authorized testing laboratory in a defined configuration, using the system components that are described in this documentation. Any divergence from the configuration and installation described in this documentation means that the user will be responsible for carrying out new measurements to ensure conformance with regulatory requirements.

Kollmorgen declares the conformity of the MKD modules with the following directives:

- EC Directive 2014/35/EU, Low Voltage Directive
Used harmonized standard EN 61800-5-1
- EC Directive 2014/30/EU, EMC Directive
Used harmonized standard EN 61800-3
- EC Directive 2011/65/EU with delegated directive 2015/863/EU, RoHS Directive
Used harmonized standard EN 50581

System MKD-C with MKD-N

- MKD-C must be powered from a 3 phase industrial supply network via a mains choke 3L.
- The MKD modules meet the noise immunity requirements to the 2nd environmental category (industrial environment).
- For noise emission the MKD system modules meet the requirement to a product of the category C2 (motor cable up to 10 m). With a motor cable length of 10 m or more, the system meets the requirement to the category C3.

NOTICE

These devices can cause high-frequency interferences in non industrial environments and may require measures for interference suppression (additional external EMC filters).

8.5.4 Conformance with EU Machinery Directive, Functional Safety

Conformance with the EC Machinery Directive 2006/42/EU is mandatory for the supply of safety components within the European Community. Kollmorgen declares the conformity of the MKD modules with the following directives:

- EC Directive 2006/42/EU, Machinery Directive
 - Used harmonized standards:
 - EN ISO 13849-1, EN ISO 13849-2
 - EN 62061
 - EN 61800-5-2

Resulting Functional Safety classification (SIL and/or PL level) for SBC must be calculated across the drive system.

8.5.4.1 Safe Torque Off (STO)

The STO implementation on the MKD is certified by TÜV. The safety circuit implementation used for the safety function "Safe Torque Off" in the drives is suited for SIL 2 according to IEC 62061 and PLd / CAT3 according to ISO 13849-1. Certificates can be found on the [Kollmorgen Developer Network](#).

Safe Torque Off (STO) string type (global)

Structure	STO	ISO 13849-1	MTTF _d	IEC 62061	PFH [1/h]	SFF [%]	T _M [Years]
MKD-C + 1 x AKD-N	global	PL d, CAT 3	≥ 100	SIL 2	1.86E-08	94.2	20
MKD-C+ 14 x AKD-N	global	PL d, CAT 3	≥ 100	SIL 2	1.86E-08	94.2	20
MKD-C + 14 AKD-N (String 2) + 14 AKD-N (String 3)	global	PL d, CAT 3	≥ 100	SIL 2	3.72E-08	94.2	20

Safe Torque Off (STO) local drive type (local)

Structure	STO	ISO 13849-1	MTTF _d	IEC 62061	PFH [1/h]	SFF [%]	T _M [Years]
14 x MKD-N (single axis)	local	PL d, CAT 3	≥ 100	SIL 2	3.97E-07	98.3	20
14 x MKD-N (dual-axis)	local	PL d, CAT 3	≥ 100	SIL 2	5.88E-07	98.3	20
28 x MKD-N (single axis)	local	PL d, CAT 3	≥ 100	SIL 2	7.94E-07	98.3	20
MKD-C + 1 x AKD-N-DS/DT	local	PL d, CAT 3	≥ 100	SIL 2	2.9E-08	95.9	20
MKD-C + 14 x AKD-N-DS/DT	local	PL d, CAT 3	≥ 100	SIL 2	4.12E-07	95.9	20

8.5.4.2 Brake Interruption Contact (required for SBC)

The brake interruption contact can be used to implement an SBC (**S**afe **B**rake **C**ontrol) functionality to the application. The implementation on the MKD is certified by TÜV for applications up to SIL 2 according to IEC 62061 and PLd / CAT2 according to ISO 13849-1. Resulting Functional Safety classification (SIL and/or PL level) for SBC must be calculated across the drive system. Component quality selection for logic and brake depends on the objectives to be achieved for PL and SIL. This must be determined and implemented by the user.

MTTF _d Values		
Safety PLC + Safety Relay	MKD-N	Motor-Brake
Manufacturer data	MTTF _d = infinite, because no error possible due to fault exclusions. Can be neglected in the overall calculation.	Manufacturer data

8.6 Abbreviations Used

Abbreviation	Meaning
(→ # 53)	"see page 53" in this document
CE	Communauté Européenne
COM	Serial interface for a personal computer
DCOM	Communication line for digital inputs
Disk	Magnetic storage (diskette, hard disk)
EEPROM	Electrically erasable programmable memory
EMC	Electromagnetic compatibility
KAS	Kollmorgen Automation Suite
KDN	Kollmorgen Developer Network
LED	Light-emitting diode
LSB	Low significant byte (or bit)
MSB	Main significant byte (or bit)
NI	Zero pulse
OSSD	Output signals Switching Device
PC	Personal computer
PE	Protective earth
PELV	Protective extra low voltage
PLC	Programmable logic control
PWM	Pulse-width modulation
RAM	Random access memory (volatile memory)
RBrake/RB	Regen resistor (also called a brake resistor)
RBext	External regen resistor
RBint	Internal regen resistor
RCD	Residual current device
RES	Resolver
ROD	Incremental encoder (A quad B)
Rth	Specific thermal resistance
SBC	Safe Brake Control
SBT	Safe Brake Test
SC	Super Capacitor
SELV	Safety Extra Low Voltage
STO	Safe torque off
tbd	To be discussed (in process)
VAC	Volts, alternating current
VDC	Volts, direct current

9 Record of document revisions

Revision	Remarks
A, 01/2019	First edition
B, 07/2019	Multilanguage, connectors male-female corrected, MKD-C-CA added, RoHS statement, UL completed, STO certified, noise emission, X25 poles and pitch, X23 sense changed to Up, faults/warnings updated, fusing updated
C, 09/2019	Used Standards removed, Faults/Warnings removed by link to other documents, electrical data completed, 42kA rating, UL markings updated
D, 02/2020	Thermal dissipation and efficiency factor added

-- / --

About KOLLMORGEN

Kollmorgen is a leading provider of motion systems and components for machine builders. Through world-class knowledge in motion, industry-leading quality and deep expertise in linking and integrating standard and custom products, Kollmorgen delivers breakthrough solutions that are unmatched in performance, reliability and ease-of-use, giving machine builders an irrefutable marketplace advantage.



Join the [Kollmorgen Developer Network](#) for product support. Ask the community questions, search the knowledge base for answers, get downloads, and suggest improvements.

North America KOLLMORGEN

201 West Rock Road
Radford, VA 24141, USA

Web: www.kollmorgen.com
Mail: support@kollmorgen.com
Tel.: +1 - 540 - 633 - 3545
Fax: +1 - 540 - 639 - 4162

Europe KOLLMORGEN Europe GmbH

Pempelfurtstr. 1
40880 Ratingen, Germany

Web: www.kollmorgen.com
Mail: technik@kollmorgen.com
Tel.: +49 - 2102 - 9394 - 0
Fax: +49 - 2102 - 9394 - 3155

South America KOLLMORGEN

Avenida João Paulo Ablas, 2970
Jardim da Glória, Cotia – SP
CEP 06711-250, Brazil

Web: www.kollmorgen.com
Mail: contato@kollmorgen.com
Tel.: +55 11 4615-6300

China and SEA KOLLMORGEN

Room 302, Building 5, Lihpao Plaza,
88 Shenbin Road, Minhang District,
Shanghai, China.

Web: www.kollmorgen.cn
Mail: sales.china@kollmorgen.com
Tel.: +86 - 400 668 2802
Fax: +86 - 21 6248 5367

KOLLMORGEN[®]

Because Motion Matters™